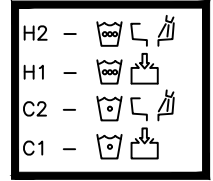
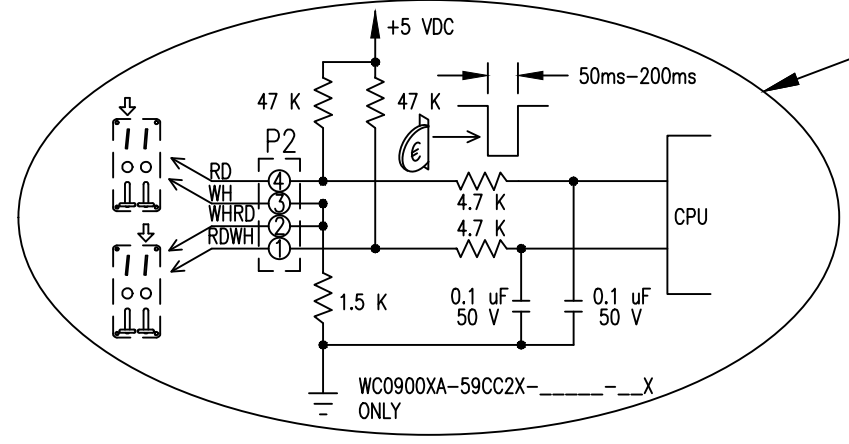
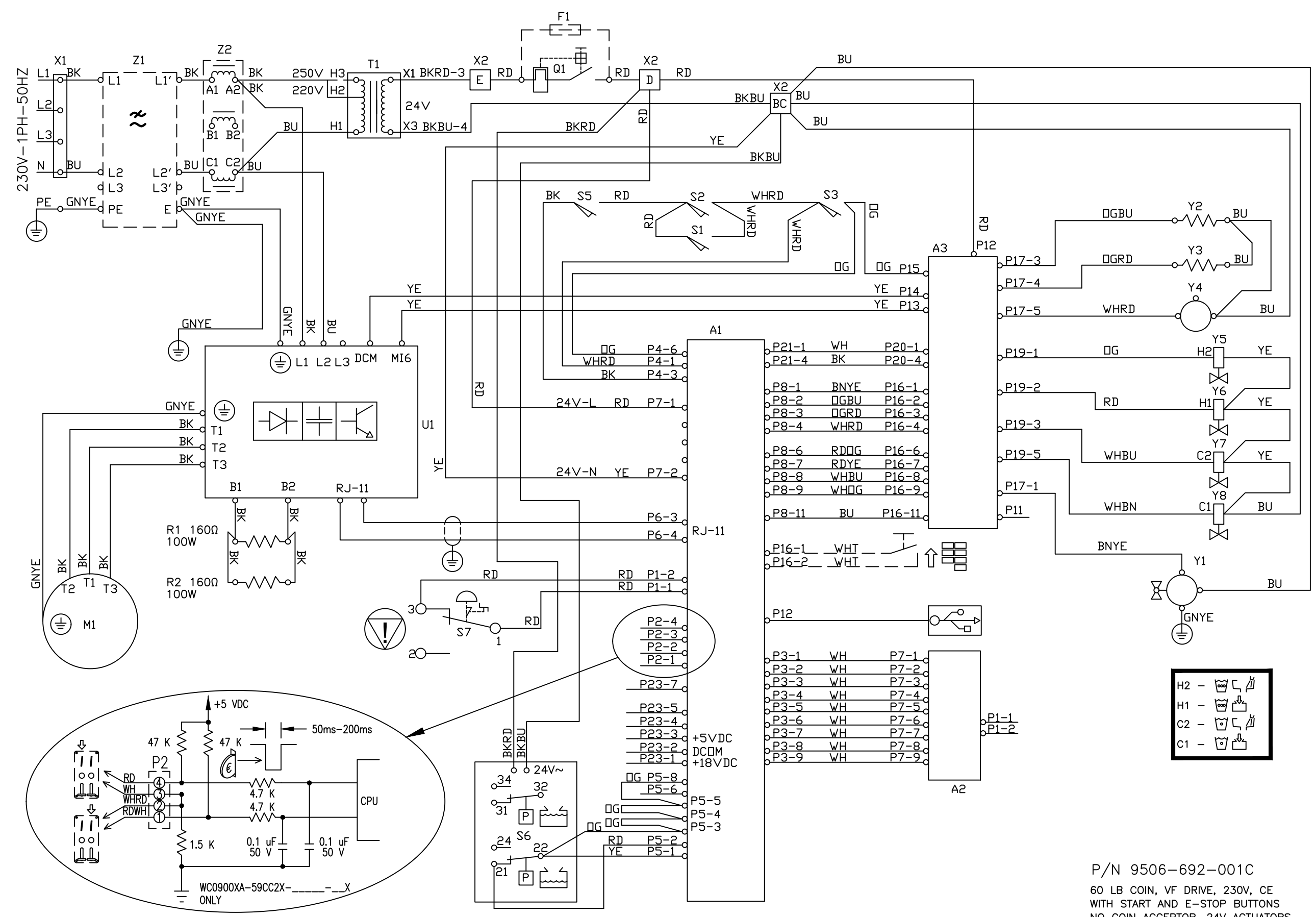
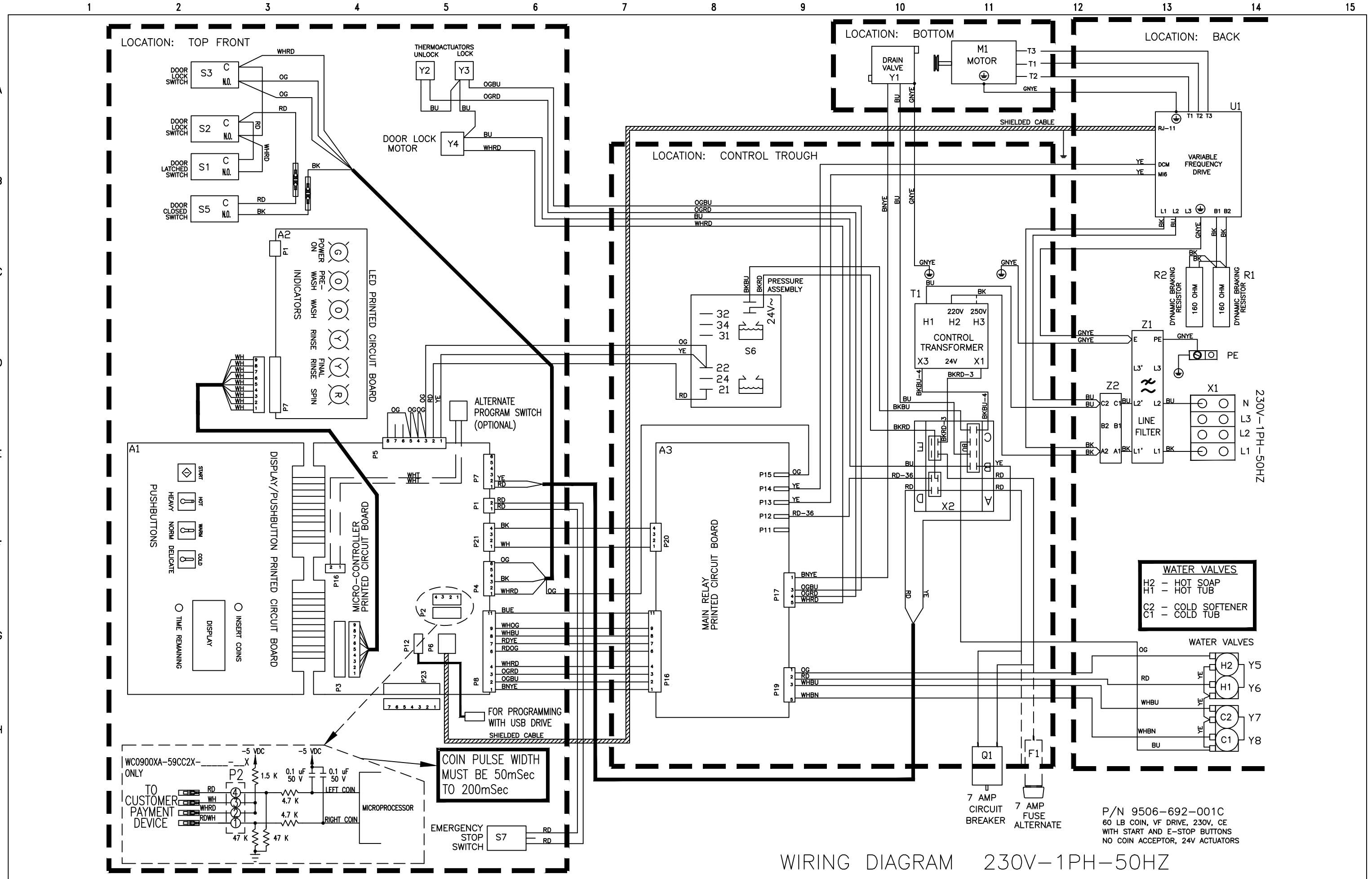


A
B
C
D
E
F
G
H
I



P/N 9506-692-001C
60 LB COIN, VF DRIVE, 230V, CE
WITH START AND E-STOP BUTTONS
NO COIN ACCEPTOR, 24V ACTUATORS

SCHEMATIC 230V-1PH-50HZ



WIRING DIAGRAM 230V-1PH-50HZ