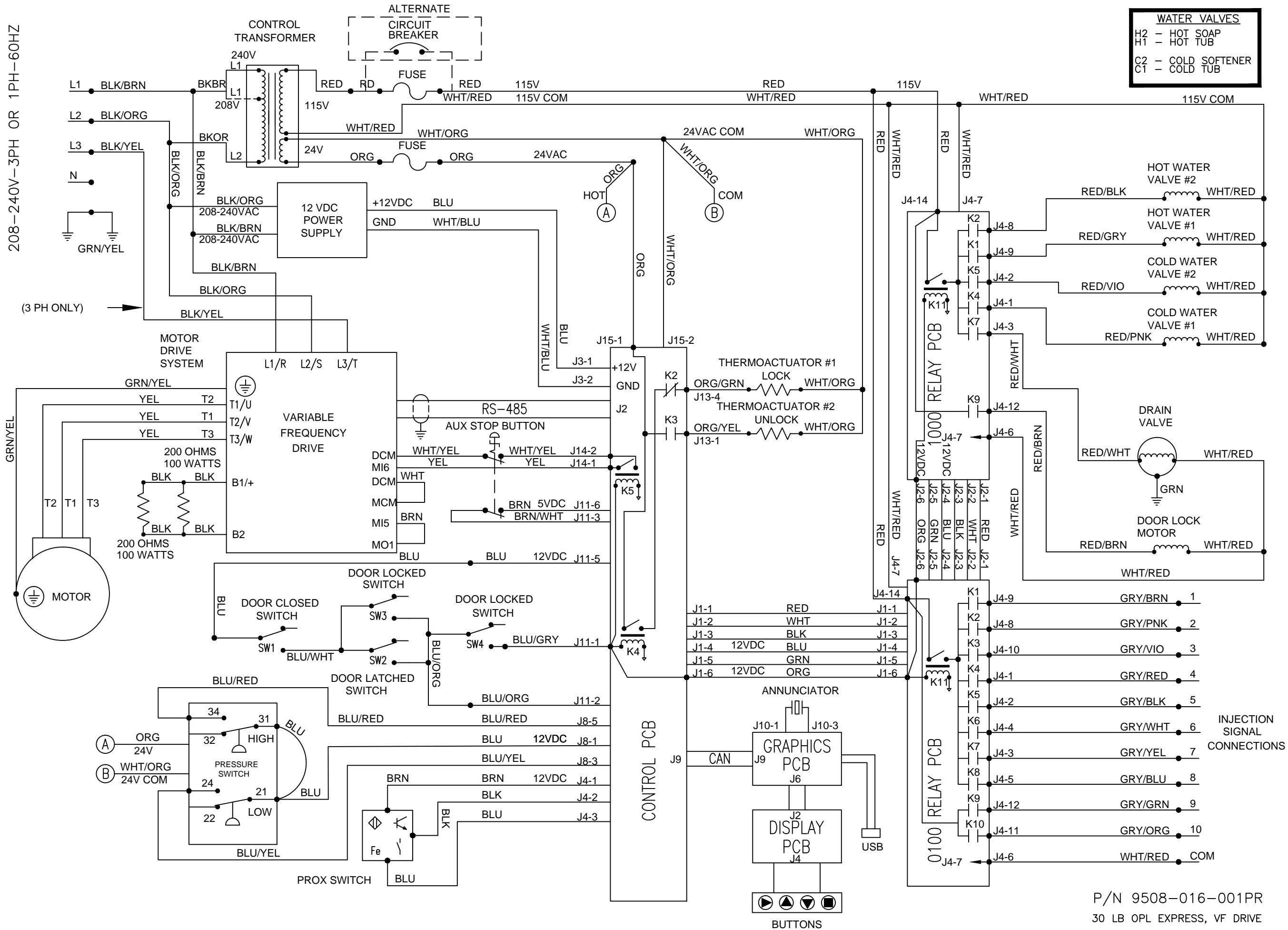


WIRING DIAGRAM 208 - 240V, 1/3PH, 60HZ

P/N 9507-016-001PR
 30 LB OPL EXPRESS, VF DRIVE
 WN0450X--12_0_X--__-__X

208-240V-3PH OR 1PH-60HZ

WATER VALVES	
H2	- HOT SOAP
H1	- HOT TUB
C2	- COLD SOFTENER
C1	- COLD TUB



P/N 9508-016-001PR
30 LB OPL EXPRESS, VF DRIVE

SCHMATIC

208-240V-1/3PH-60HZ