



Section: 11

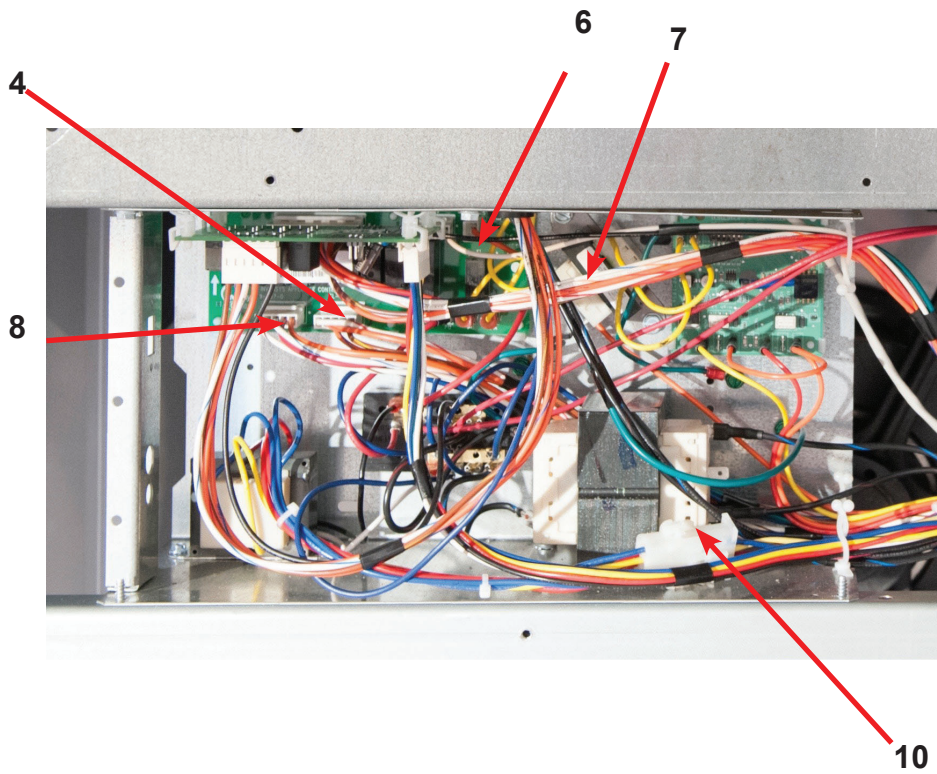
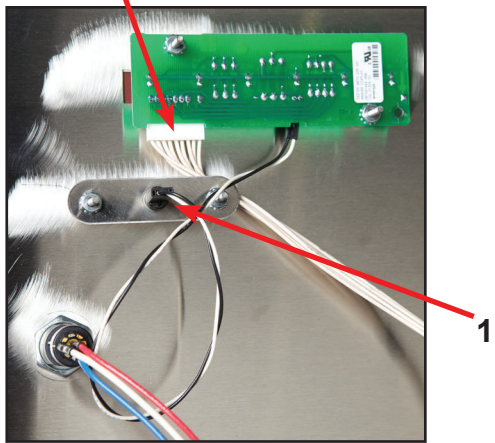
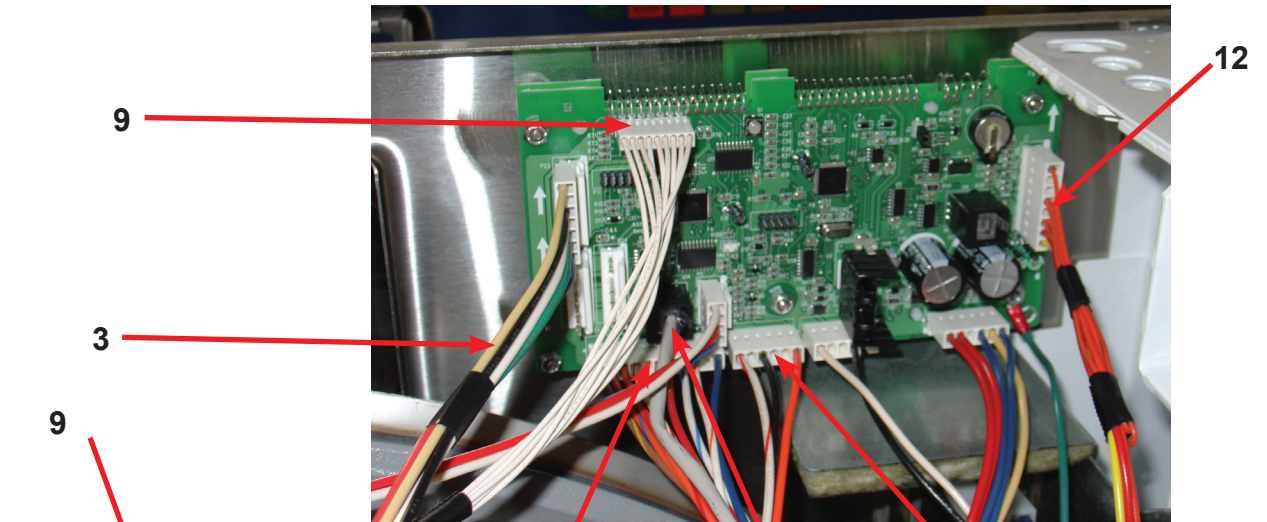
Washer Parts

SWD C-Series Accessories T-350

Key	Description	Part Number	Qty
*	Hose, Water Supply 3/8" I.D.	9990-027-011	2
*	Washer, Inlet Hose (furnished)	8641-242-000	2
*	Strainer, Inlet Hose (furnished)	9565-003-001	2
*	Sealing compound	8538-151-002	1
*	TORX#20 Driver	8545-051-002	1
*	Special Tool For Removing Coin Acceptor Mounting Screws. (T-10 Torx)	8545-051-003	1
*	Flow Restrictors (in dispenser)	9475-002-003	3
*	Battery 3V Lithum (used on Control PCB)	8612-001-001	1
*	Coin Bearing & Seal Kit	9732-219-008	1
*	Mode Light Support	9635-022-001	1

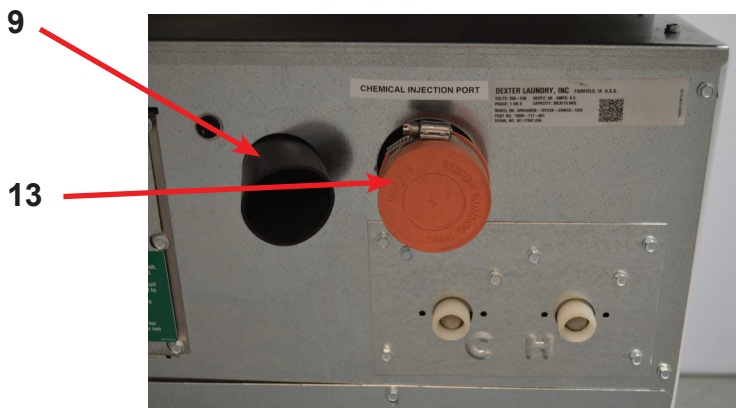
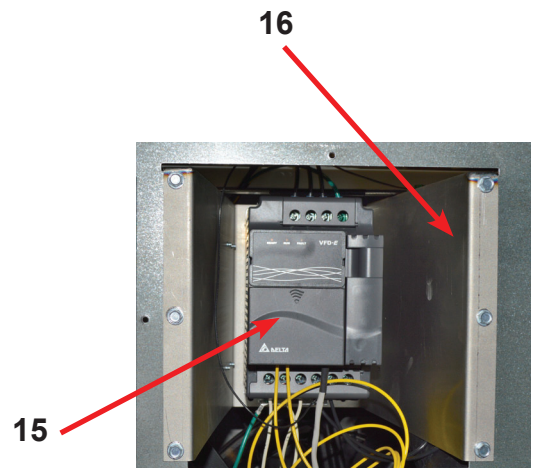
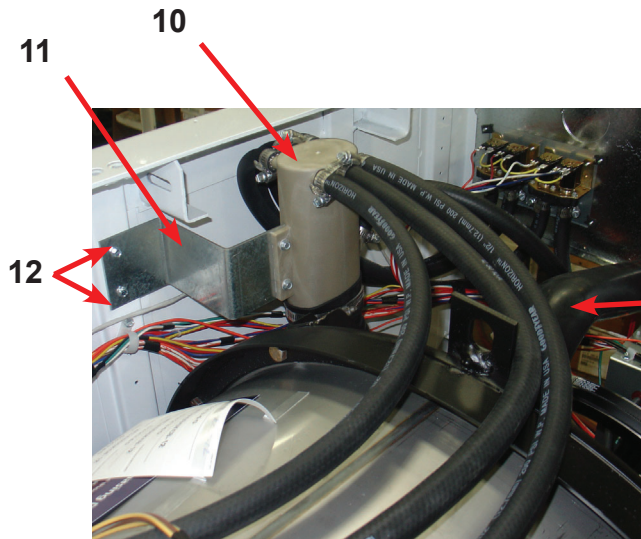
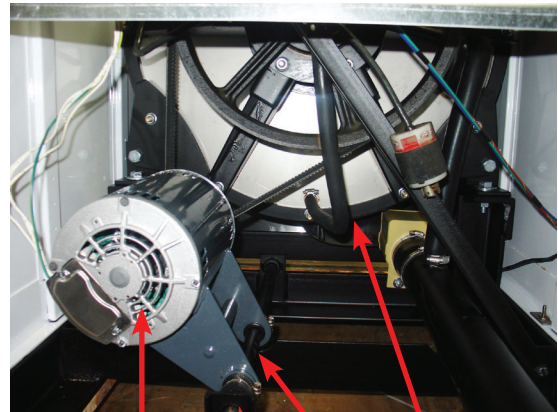
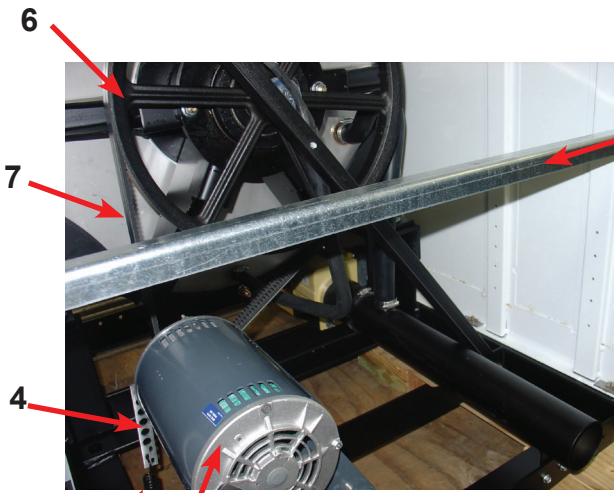
Wiring Harnesses Parts

Key	Description	Part Number	Qty
1	Add Bleach Light, (Wiring Harness included)	9794-001-002	1
2	Wiring Harness, Door Lock P15/P4	9627-816-002	1
3	Wiring Harness, Optional Relay Board (Soap Injection)	9627-835-001	1
*	Wiring Harness, Optional Relay Board to Soap Injection terminal block	9627-799-002	1
4	Wiring Harness, Drain,Thermo,Door Gear Motor P17	9627-820-002	1
5	Data Cable	9806-015-002	1
6	Wiring Harness P20/P21	9627-818-002	1
7	Wiring Harness P8/P16	9627-819-001	1
8	Wiring Harness WaterValve/P19	9627-795-004	1
9	Wiring Harness LED PCB	9627-797-001	1
*	Wire Yellow Jumper (water valve)	8220-123-001	1
*	Harness Power Terminal Block	9627-747-003	1
10	Harness-Extention, Transformer	9627-826-001	1
12	Harness-P5/Pressure Switch	9627-823-001	1
*	Circuit Breaker 7 AMP	5198-211-002	1
*	Wiringlabel-schematic	9506-822-001	1
*	Lock, Run/Program w/Harness	8650-027-001	1



WNS350XA Rear View Access Parts Group

Key	Description	Part Number	Qty
1	Drive Motor, 3 Phase (Inverter duty)	9376-307-001	1
2	Rod, Motor Mtg	9497-222-002	1
*	Screw 3/8-16x1	9545-029-005	1
*	Lock Washers	8641-582-014	1
3	Motor Bushing (Rubber)	9053-082-001	2
*	Clamp-Worm, 316SS, 1.5" (for Rubber bushing)	8654-117-019	2
4	Strap Bracket, Motor Tension	9029-206-001	1
*	Nut, Strap to Motor	8640-413-002	1
*	Washer	8641-581-006	1
5	Spring, Belt Tension	9534-319-002	1
*	Pulley, Motor	9453-180-001	1
*	Set Screw,Sq.Hd(motor pulley)	9545-028-015	2
*	Tolerance Ring	9487-234-001	1
6	Pulley, Driven	9453-168-005	1
*	Screw 1/2-13x1/1/4"	9545-017-009	1
*	Lockwasher 1/2"	8641-582-016	1
*	Washer, Flat 1/2"	8641-581-026	2
7	Drive Belt	9040-079-004	2
8	Channel, Rear	9081-182-001	1
*	Screw	9545-008-026	4
*	Nut, Spring	8640-399-007	4
*	Hose, Overflow to drain	9242-449-002	1
*	Clamp, Hose overflow to drain	8654-117-009	2
9	Hose, Overflow Vent Top	9242-463-005	1
*	Clamp, Hose Vent	8654-117-014	1
10	Vacuum Breaker ALL	9610-001-001	1
11	Bracket, Vacuum Breaker	9029-275-001	1
12	Screw, 10B x 1/2	9545-008-026	4
*	Vacuum Breaker Cap (Red)	0935-135-002	*
*	Hose-injectorassembly	9242-461-001	1
13	Injector assembly soap	9883-015-001	1
*	Cap-injectorassembly	0935-127-001	1
*	Hose-injectionasy,2"diameter	9242-462-001	1
*	Plastic Plug 7/8" Electrical Connection	9456-041-006	1
*	Panel Assy., Back	9454-940-001	1
*	Screw Panel Mtg.#10Bx1/2"	9545-008-026	10
*	Screw Panel Mtg.1/4Bx3/4"	9545-030-002	2
*	Nut, Spring	8640-399-001	8
14	Hose, Pressure Switch	9242-175-007	1
*	Clamp, Pressure Switch Hose	8654-117-015	1
15	VFD Delta "E" drive 208-240 volt	9375-032-014	1
*	VFD Cooling Fan	9189-013-001	1
*	Braking resistors (200 ohm)	9483-004-002	2
16	Bracket assembly (drive mounting)	9029-119-002	1
*	Screw, 10B x 1/2	9545-008-026	6
*	VFD, MS300, V4	9375-034-011	1
*	VFD Cooling Fan	9189-015-001	1
*	Data Cable, MS300, V4	9806-026-003	1



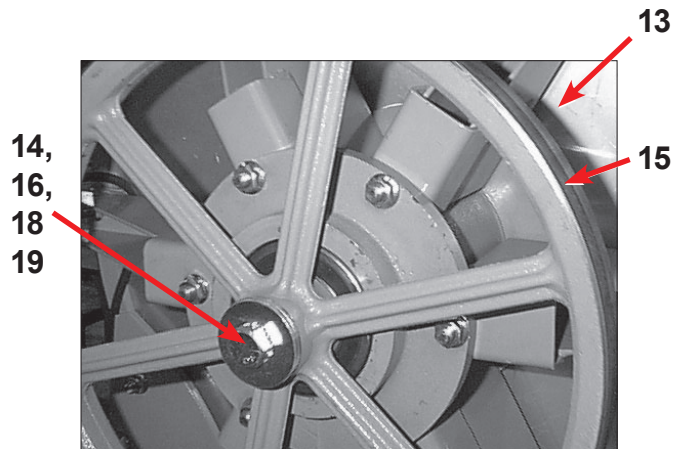
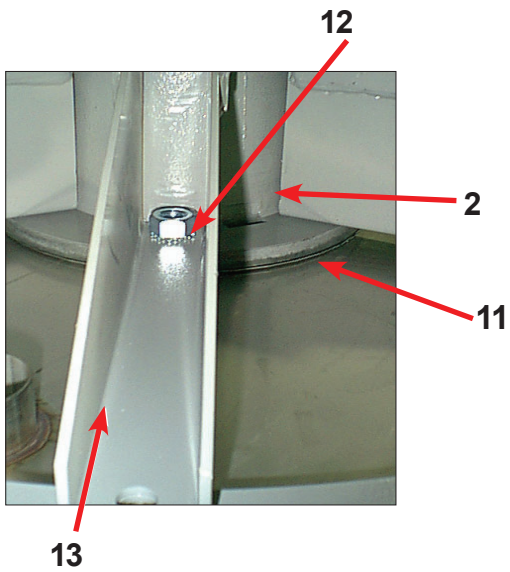
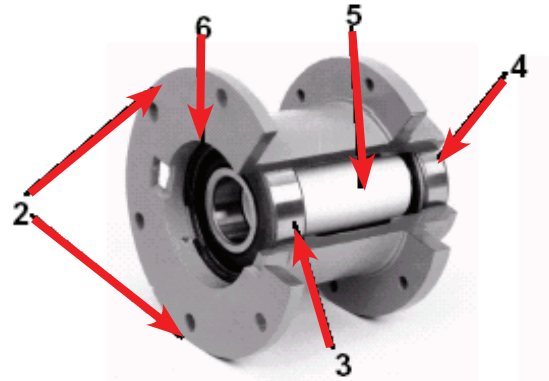
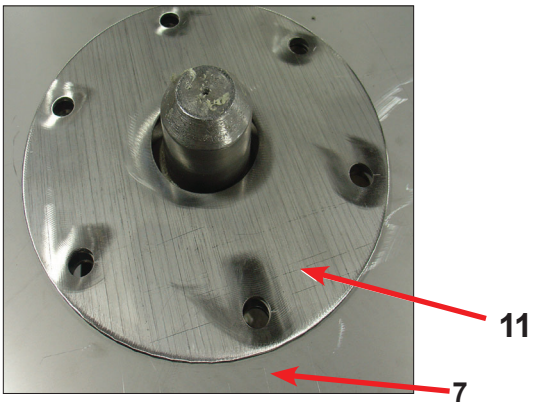
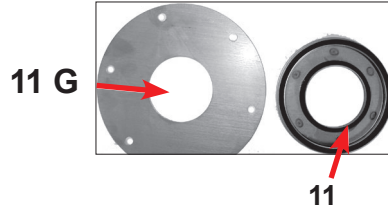
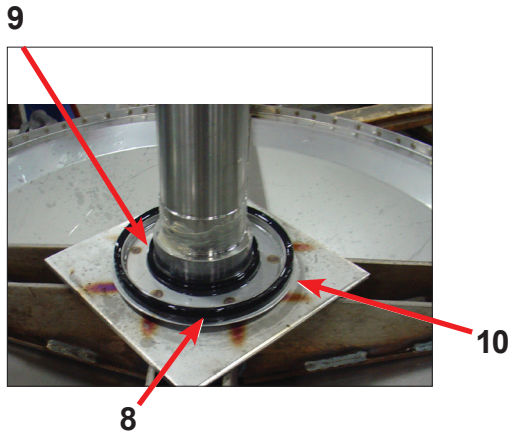
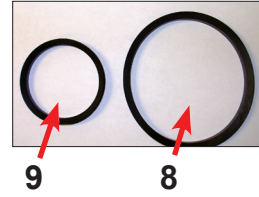
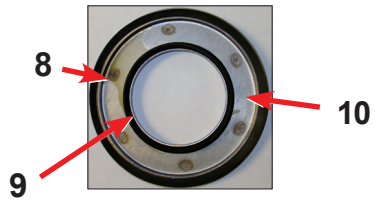


Cabinet and Front Panel Group

Description		Part Number	Qty
*	Panel, Right Side-Painted	9989-586-002	1
*	Panel, Left Side - Painted	9989-587-002	1
*	Strap assy-studs	9966-020-001	4
*	Shim-Side Panels	9552-047-001	2
*	Nut-hex 1/4-20unc,2b	8640-414-006	8
1	Panel Assy, Front	9989-589-001	1
*	Trim Edge Protector	9578-092-005	1
3	Bumper Loading Door	9051-055-001	1
*	Nut 1/4-20	8640-414-003	1
4	Screw, 10bx1 3/4	9545-008-014	6
*	Washer Finish	8641-585-001	6
*	Nut, Spring-To Front Panel	8640-442-001	6
5	Label, Door Opening, Black	8502-757-001	1
6	Label, Risk of Injury, Black	8502-759-001	1
7	Nameplate Decal, Control Panel, Black	9412-239-001	1
8	Button, Push Control, Black	9035-062-003	1
10	Panel Top, Front, Painted	9989-590-002	1
*	Screw, Hex, #10B x 1/2	9545-008-026	12
*	Cover Top Rear	9454-939-001	1
*	Screw, Hex, #10B x 1/2	9545-008-026	4
11	Lock-Run/program w/harness	8650-027-001	1
12	Soap Dispenser Assembly, Complete (Does not include lid)	9807-087-001	1
*	Soap Box mounting Gasket	9206-425-001	1
13	Lid Assembly soap box	9987-104-001	1
*	Lid screws #10-32x1/2 SS	9545-012-017	2
*	Nut Hex Elasticstop #10-32 SS	8640-413-006	6
*	Bracket Soap box mounting	9029-122-002	1
*	Softner siphon tube (plastic)	9574-252-002	1
*	Flow restrictors	9475-002-003	3
14	Label, Dispenser Instructions, Black	8502-745-001	1
15	Door, Lower Service Assy	9960-286-008	1
16	Handle, Lower Service Door	9244-086-006	1
17	Screw, 10bx 1 3/4	9545-008-014	2
*	Washer Finish	8641-585-001	2

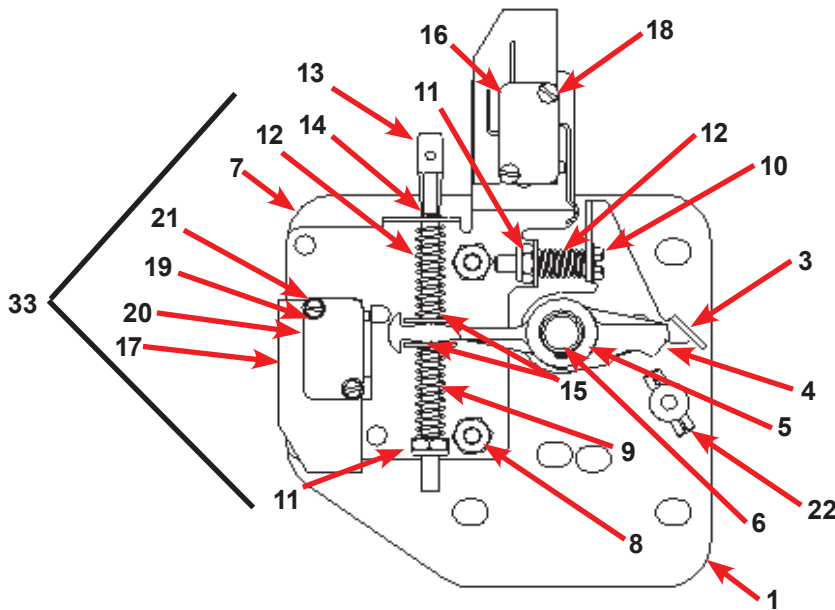
WNS350XA Cylinder, Seals & Bearings

Description		Part Number	Qty
*	Bearings and Seal Kit	9732-219-008	1
*	Housing, Bearing- Assembly (items #2-#6)	9803-179-003	1
2	Housing, Bearing	9241-169-002	1
3	Bearing, Front (LARGE)	9036-159-008	1
4	Bearing, Rear (SMALL)	9036-159-009	1
5	Spacer, Bearing	9538-158-001	1
6	Ring, Bearing Retainer	9487-238-001	1
8	Seal, Large	9532-140-009	1
9	Seal, Small	9532-140-003	1
10	Ring, Seal Mounting	9950-042-001	1
11	Tub Back Mating Ring	9487-261-002	1
12	Bolt 1/2-13x1 1/4" Tub end of bearing Housing	9545-017-009	6
12	Nut 1/2-13	8640-417-005	6
*	Washer	8641-581-034	6
13	Support Arm Assy, Bearing Housing	9991-057-001	6
14	Bolt Pulley end of bearing housing, 3/8-16x1 1/2"	9545-029-003	6
*	Nut, Flange Locking 3/8"	8640-415-004	6
15	Pulley, Driven	9453-168-005	1
16	Ring, Tolerance	9487-234-001	1
17	Washer 1/2	8641-581-026	2
18	Bolt 1/2-13x1 1/4"	9545-017-009	1
19	Lockwasher 1/2 Ext. tooth	8641-582-016	1
*	Cylinder Assy	9848-121-001	1
*	Tub and Cylinder Assy.	9869-037-001	1
*	Plastic Plug 1 1/2"-(inside cylinder)	9456-041-007	1

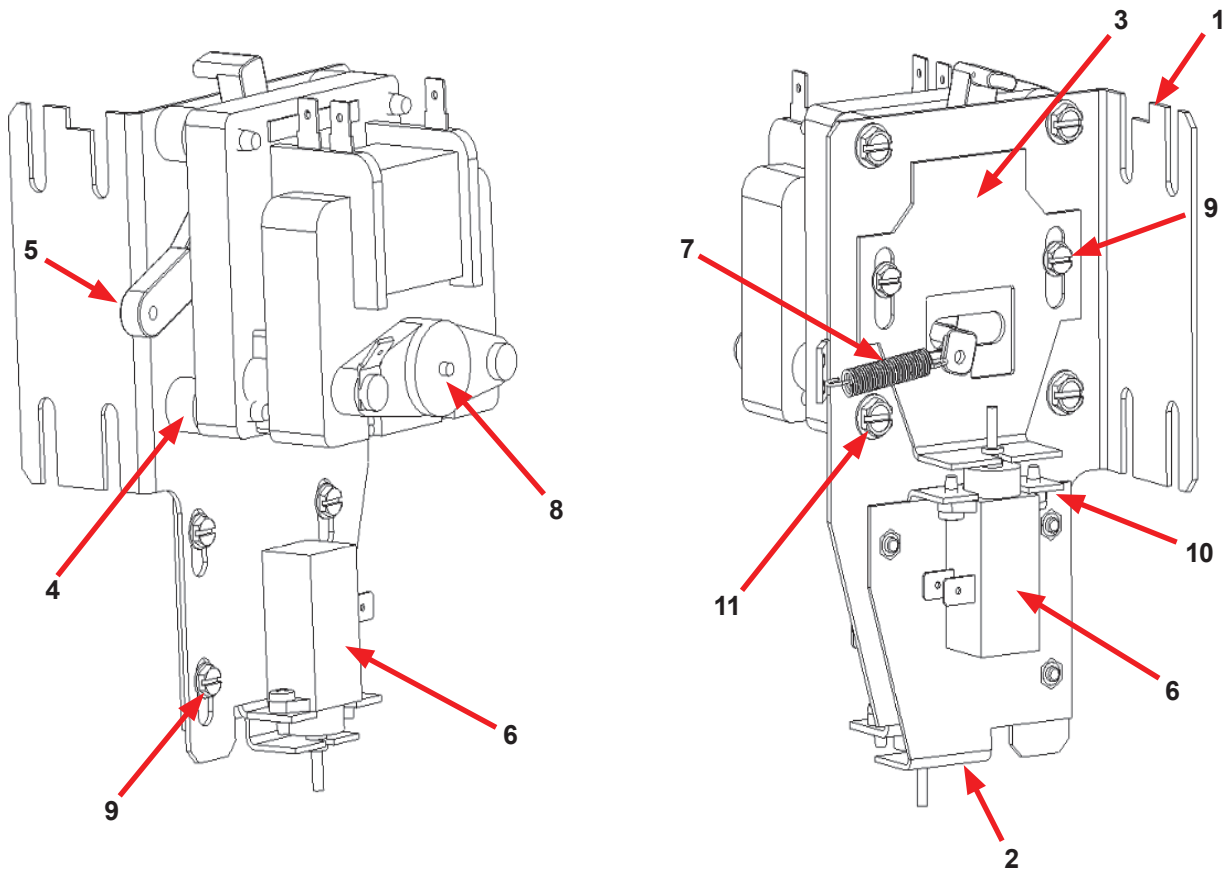


Door Lock Assembly

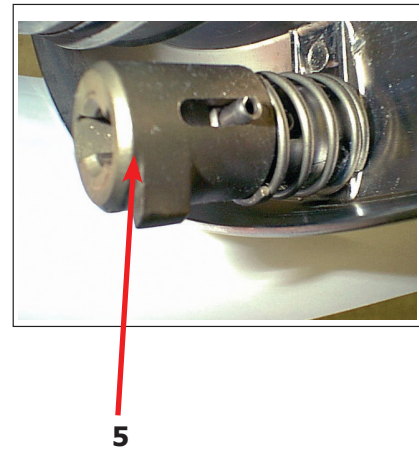
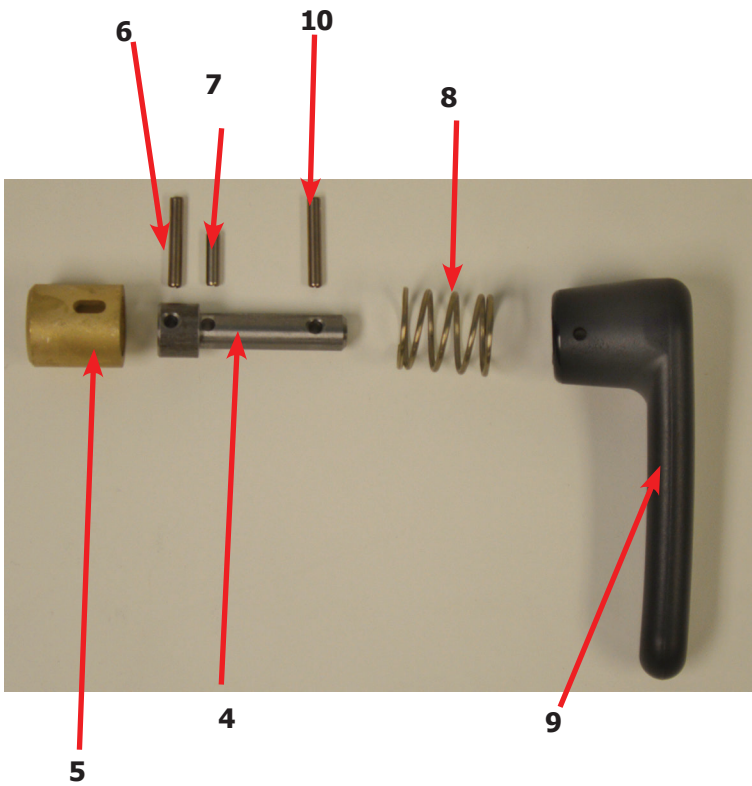
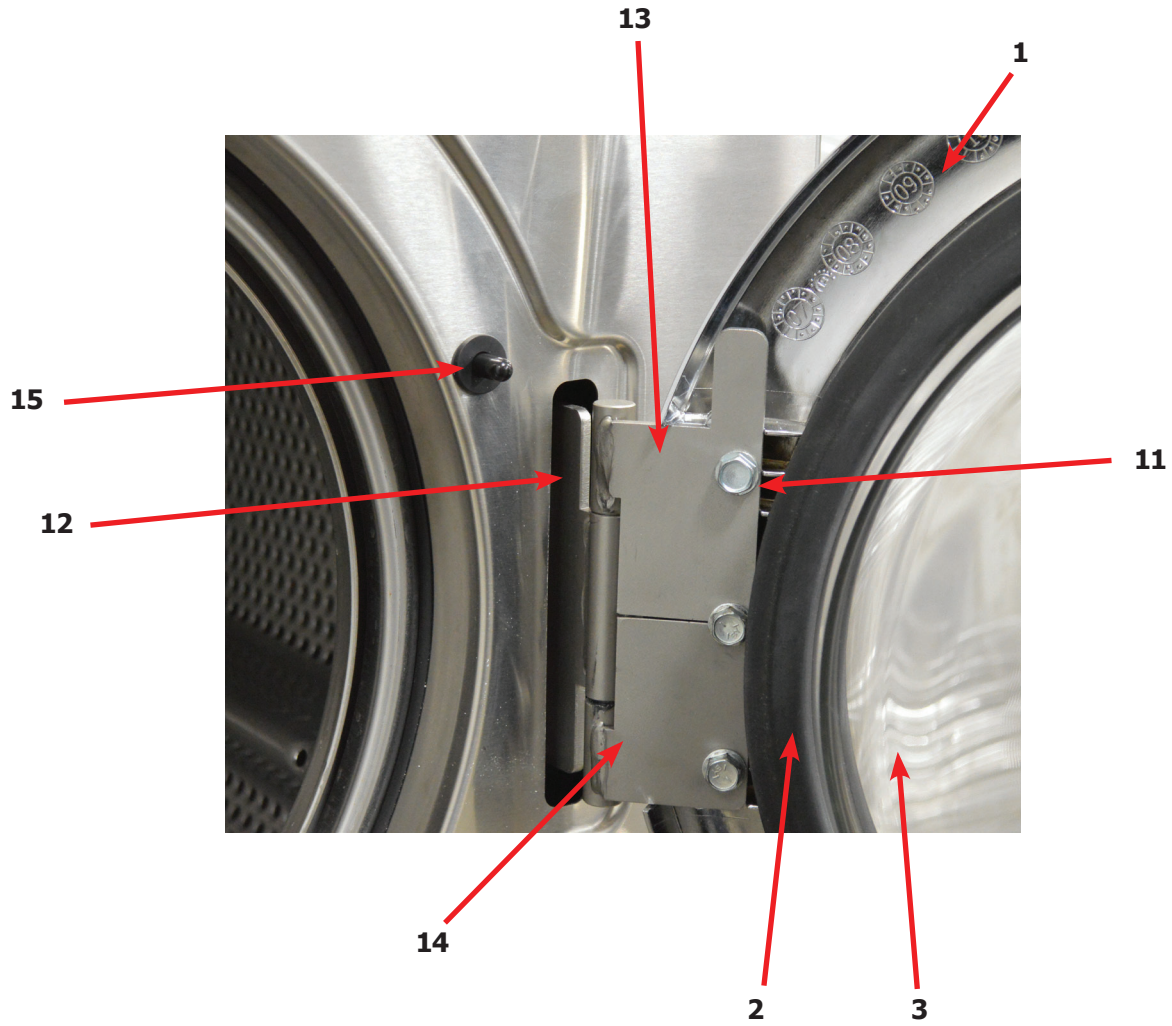
Key	Description	Part Number	Qty
33	Lock Assy, Complete (#1-22)(includes #1 thru #22)	9885-024-001	1
1	Plate Assy, Door Lock	9982-346-001	1
2	Washer, Flat	8641-581-030	1
3	Actuator, Latching Switch	9008-005-001	1
4	Pawl, Locking	9732-346-002	1
5	Washer, Spring	8641-569-003	1
6	Ring, Retaining	9487-200-004	1
7	Bracket Switch	9029-163-001	1
8	Nut, Hex 10-32 UNF	8640-413-002	2
9	Spring, Actuating	9534-364-002	1
10	Screw, Hx. 10-32 x 1"	9545-012-020	1
11	Nut, Elastic Stop 10-32	8640-413-004	2
12	Spring, Return	9534-364-001	2
13	Pin, Guide	9451-193-001	1
14	Ring, Retaining	9487-200-005	1
15	Washer	8641-581-031	1
16	Switch, Latching Sensing	9539-461-008	1
17	Shield, Switch	9550-169-003	3
18	Screw 4-40 x 5/8"	9545-020-001	2
18	Nut, Twin 4-40	8640-401-001	1
19	Switch, Locking Sensing	9539-461-007	2
20	Actuator, Switch Locking	9008-006-003	1
21	Screw 4-40 x 1 1/8"	9545-020-003	2
21	Nut, Twin 4-40	8640-401-001	1
*	Spacer Sensor	9538-182-001	*
*	Shim, Door Lock, Thin	9552-037-001	AR
*	Screw, Lock mtg 1/4"-20 x 3/4"	9545-018-014	3
*	Lockwasher 1/4" Ext tooth	8641-582-007	3
*	Door Stud Pin, 3/16" x 3/4"	9451-181-004	1



Gear Motor Door Lock Assembly



Key	Description	T350	QTY
*	Actuator Assembly (Includes 1-10, Rod NOT included)	9892-017-002	1
1	Bracket Assy, Slide Lock Actuator	9985-199-001	1
2	Bracket Assy, Slide - Unlock	9985-196-001	1
3	Bracket Slide Lock	9029-278-001	1
4	Spacer, Plastic	9538-157-021	4
5	Arm - Door Lock	9001-063-001	1
6	Thermoactuator - Door Lock Relay 24v	9586-001-003	2
7	Spring - Extension	9534-350-001	1
8	Motor & Gear Assembly 24v	9914-137-014	1
9	Screw -Hxwshrhdslems, 6-32 x 3/16	9545-044-003	6
10	Cross Recessed PAn Hd Tapping screw	9545-031-011	4
11	Screw hxwshdsl, 10-24 - 1.25f, ctd	9545-046-007	4
*	Rod, Door Lock	9497-225-014	1
*	Harness, Door Lock/Drain, P17	9627-820-002	1
*	Screw 10ab x 3/8	9545-008-024	3
*	Bracket assy- Mounting Actuator	9985-198-001	1

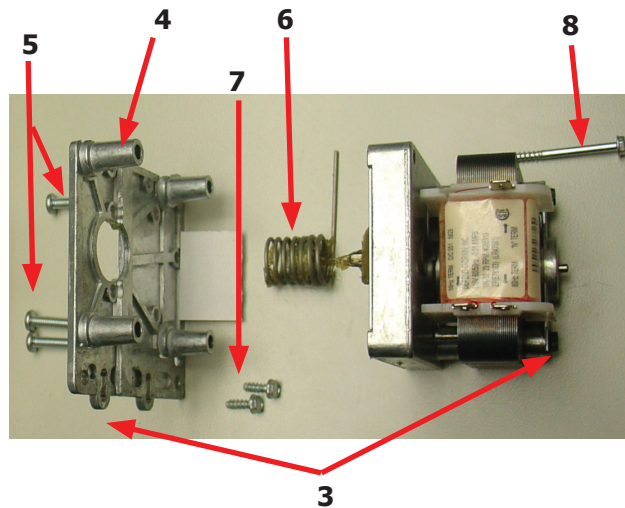
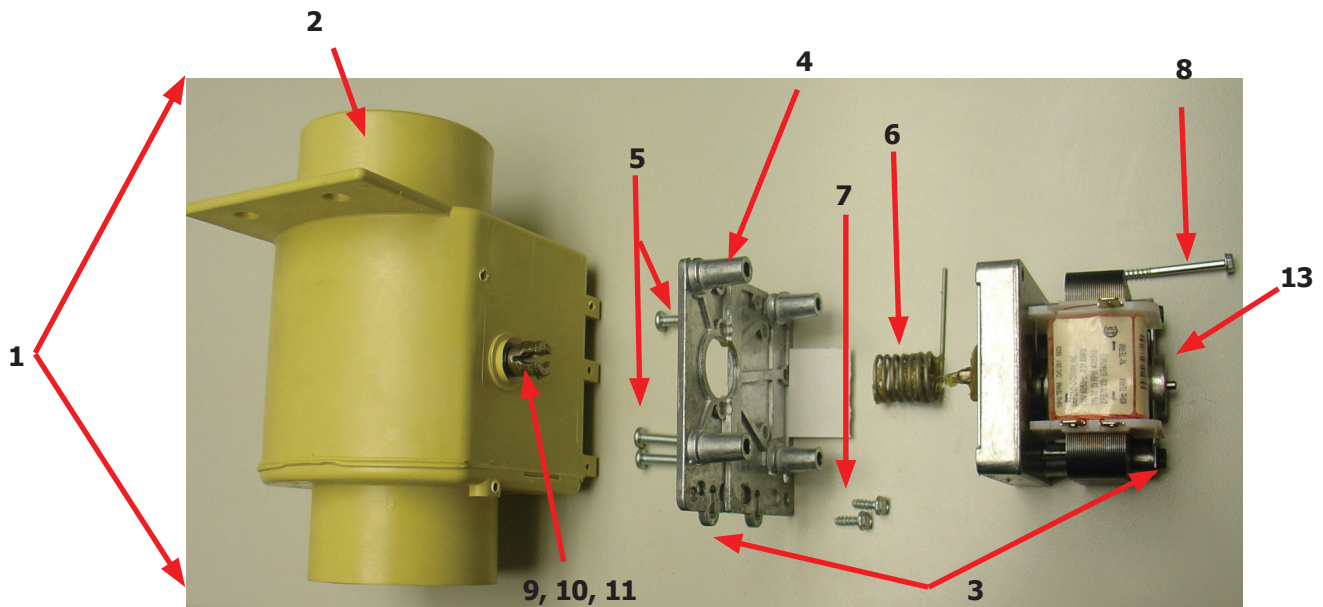


WNS350XA Loading Door Group Part

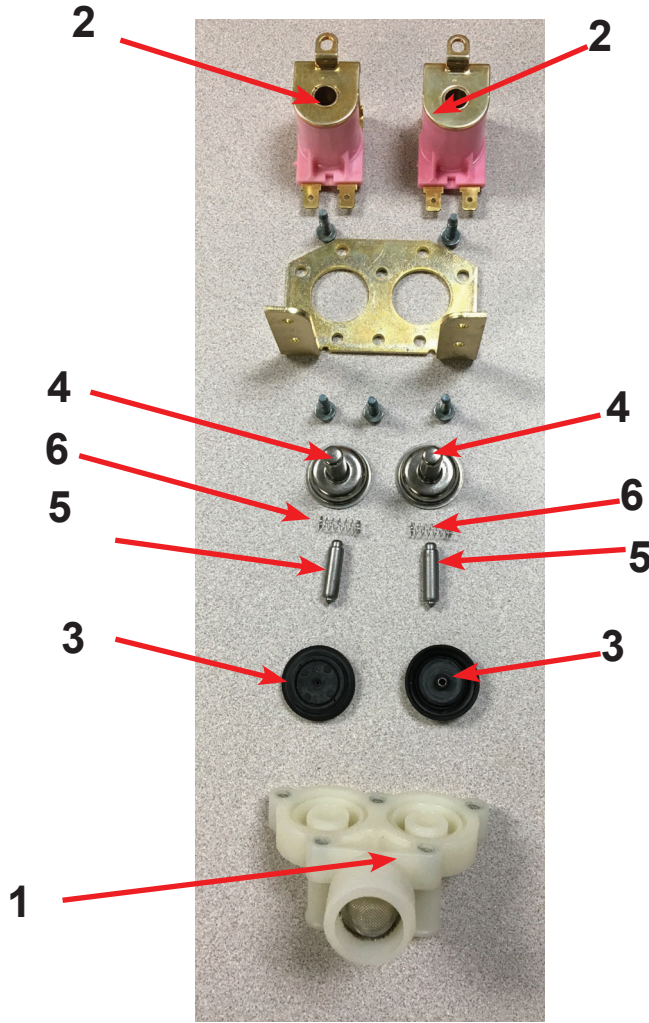
Key	Description	Part Number	Qty
	Loading Door, Complete #1-10	9960-308-001	1
1	Loading Door, Ring (180 Degree's)	9487-264-002	1
2	Gasket, Loading Door	9206-411-002	1
3	Window, Loading Door	9635-018-001	1
*	Shaft Assy, Locking (includes 4 thru 7)	9913-134-003	1
4	Shaft, Door Locking	9537-195-002	1
5	Cam, Locking	9095-040-002	1
6	Pin, Groove (1 1/4)	9451-181-005	1
7	Pin, Groove (3/4)	9451-181-004	1
8	Spring, Lock Cam	9534-360-002	1
9	Handle, Door	9244-091-001	1
10	Pin, Door Handle (groove)	9451-181-005	1
11	Screw, Loading Door Mtg (5/16" TF)	9545-056-002	3
*	Shim, Loading Door Hinge, Thin	9552-037-001	1
12	Door Hinge Assembly Mounts to Tub Front	9955-030-001	1
*	Screw, Hinge Mtg 5/16" -18x 3/4"	9545-014-009	3
*	Lockwasher 5/16" Ext tooth	8641-582-009	3
*	Wiring Harness doorlock safety Switch Assembly	9627-816-002	1
*	Wire Assembly Door Close Switch, Red 17"	8220-063-025	1
*	Wire Assembly Door Close Switch, BLK 17"	8220-063-026	1
13	Leaf assembly, Hinge Top	9845-008-001	1
14	Leaf assembly, Hinge Bottom	9845-005-002	1
15	Switch Door Closure	9539-492-001	1

Drain Valve Group Part # by Model

Key	Description	Part Number	Qty
1	Valve, Drain (includes #2 thru #11)	9379-199-002	1
2	Body, Valve (w/ball)	9064-068-002	1
3	Motor & Gear Train (complete)	9914-137-019	1
4	Plate, Motor Mtg	9452-538-001	1
5	Screw	8639-994-001	1
6	Spring, Drive	9534-340-001	1
7	Screw	9545-054-001	1
8	Screw	9545-054-002	1
9	Seal, V Packer	9532-134-001	1
10	Washer	8641-584-001	1
11	Pin, Main Drive	9451-196-001	1
*	Plate (spacers needed for replacement motor mtg. plate)	9538-149-001	1



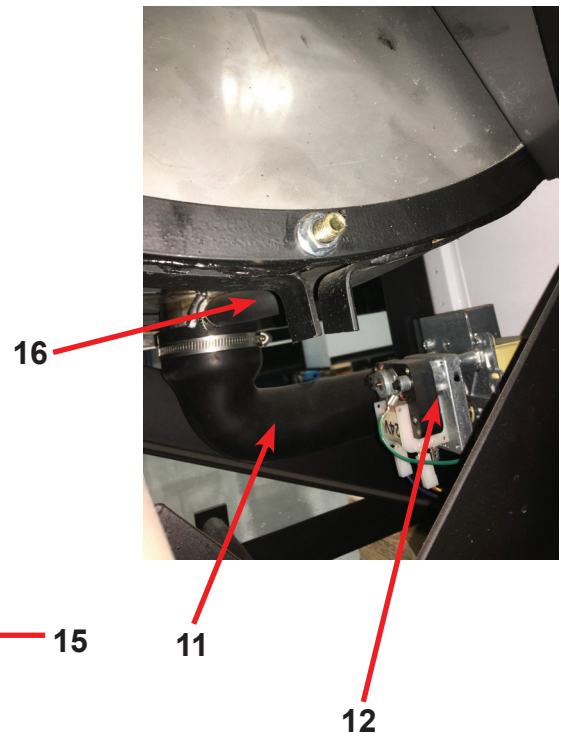
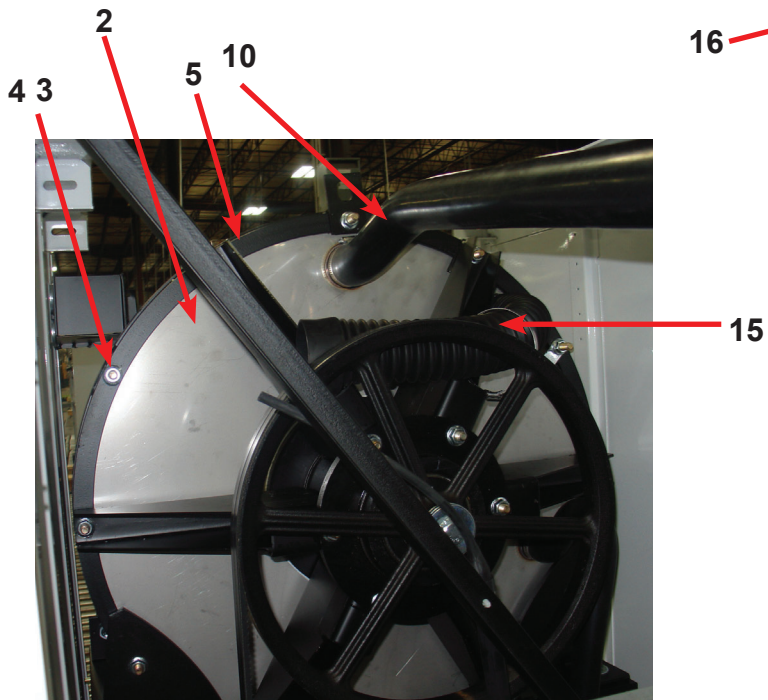
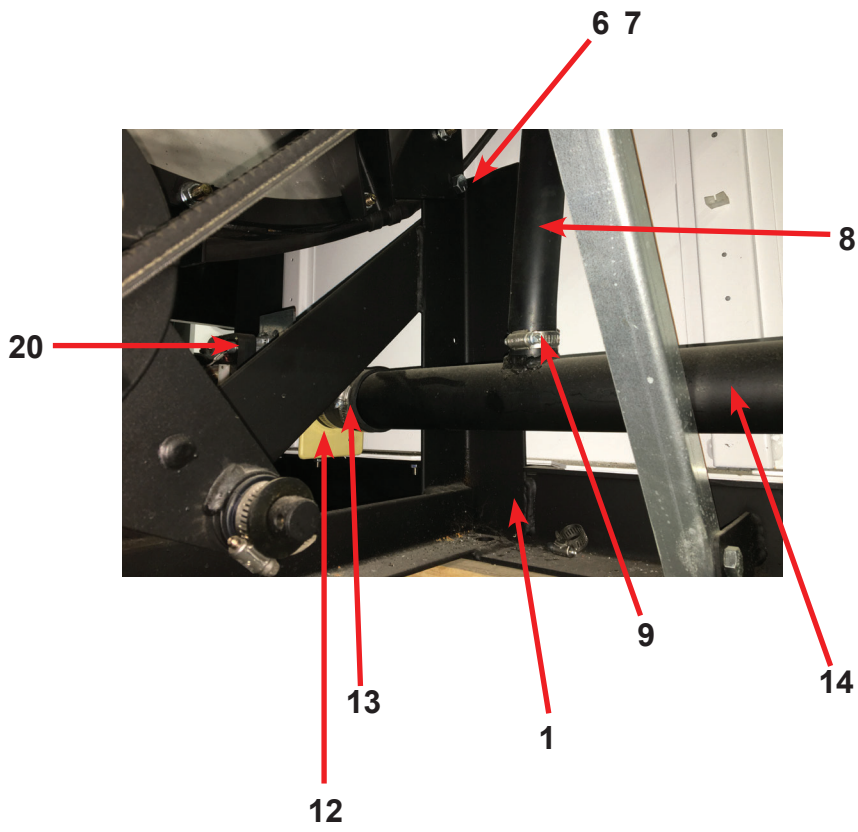
Water Inlet Valve Breakdown



Key	Description	Part Number	QTY
*	Valve, Water Inlet (includes 1 thru 6) - Invensys	9379-183-013	2
1	Screen, Inlet end of valve	9555-056-001	2
2	Coil Assy., 24 V Invensys	9089-017-004	2
3	Diaphragm Invensys (EPDM)	9118-049-003	2
4	Guide, Solenoid Invensys	9211-021-002	2
5	Armature Invensys	9015-008-001	2
6	Spring, Armature Invensys	9534-298-001	2

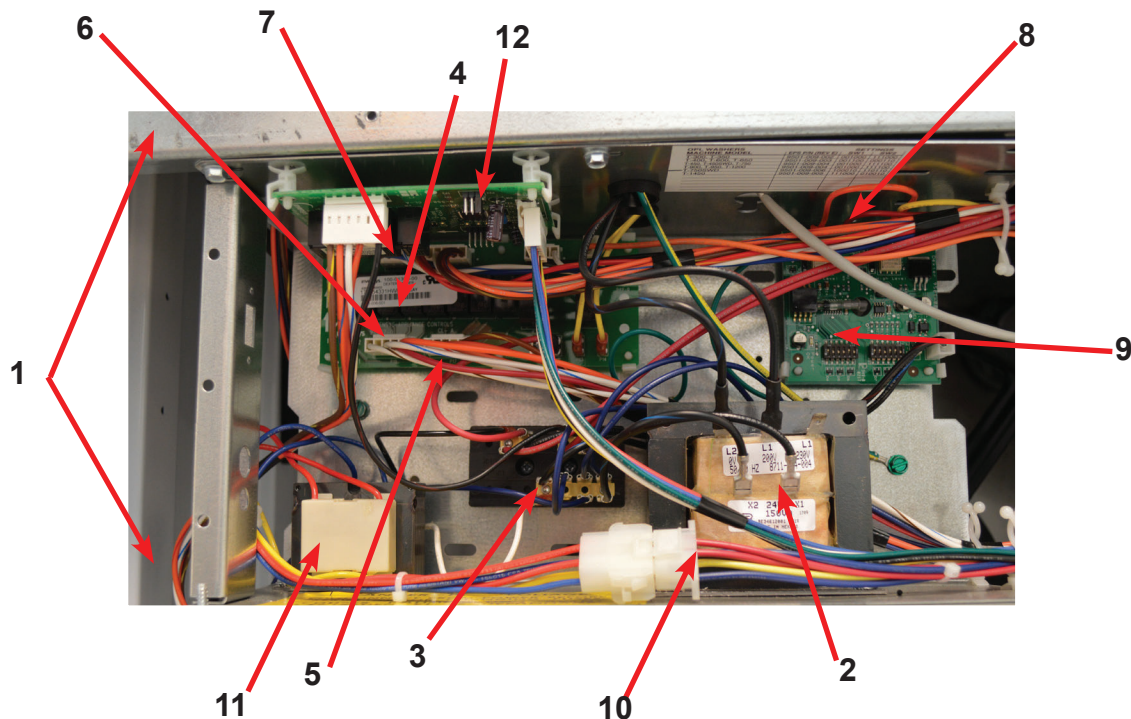
WNS350XA Chassis and Drain by Part

Key	Description	Part Number	Qty
1	Base Assy,Frame	9945-147-002	1
*	Outer Tub Assy	9930-172-001	1
*	Cylinder Assembly, (Includes Spider)	9848-121-001	1
2	Back Ass'y, Tub	9962-016-001	1
3	Bolt, 3/8-16" x 1 1/2" Tub Back to Tub	9545-029-003	16
4	Nut, Flange Lock	8640-415-004	18
*	Ring Assy, Tub Mtg-Front	9950-057-002	1
*	Bolt, Top Front Ring 1/2" -13 x 3"	9545-017-012	1
*	Nut 5/8"	8640-417-005	1
5	Ring Assy.Clamp Tub Mtg.- Rear	9950-046-001	1
6	Bolt, 1/2-13 x 1 1/4 Tub & Rings to Base, Front & Rear	9545-017-009	4
7	Nut, 1/2-13 Wizlok	8640-417-005	4
8	Hose, Overflow	9242-449-002	1
9	Clamp	8654-117-018	2
10	Tube, Over Suds	9242-463-005	1
*	Clamp	8654-117-014	1
11	Hose, Tub to Drain Valve	9242-468-001	1
12	Valve, Drain	9379-199-002	1
*	Screw, Valve to Bracket 1/4x3/4	9545-030-002	2
13	Hose, Drain Valve to Tube	9242-451-002	1
*	Clamp, Hose (Drain Valve to Tube) & (Drain Hose to Valve)	8654-117-009	2
*	Screw Tube (Bracket to Base 1/4B x 3/4)	9545-030-002	2
14	Tube Assy, Drain	9915-132-002	1
15	Hose, Vacuum Brkr. to Tub	9242-458-001	1
*	Clamp	8654-117-015	2
16	Hose, Pressure Switch	9242-175-007	1
*	Clamp	8654-117-009	1



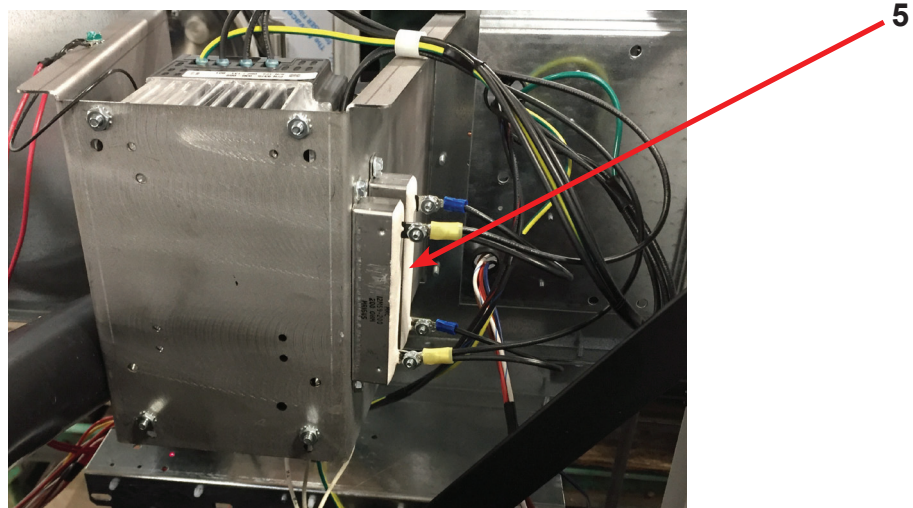
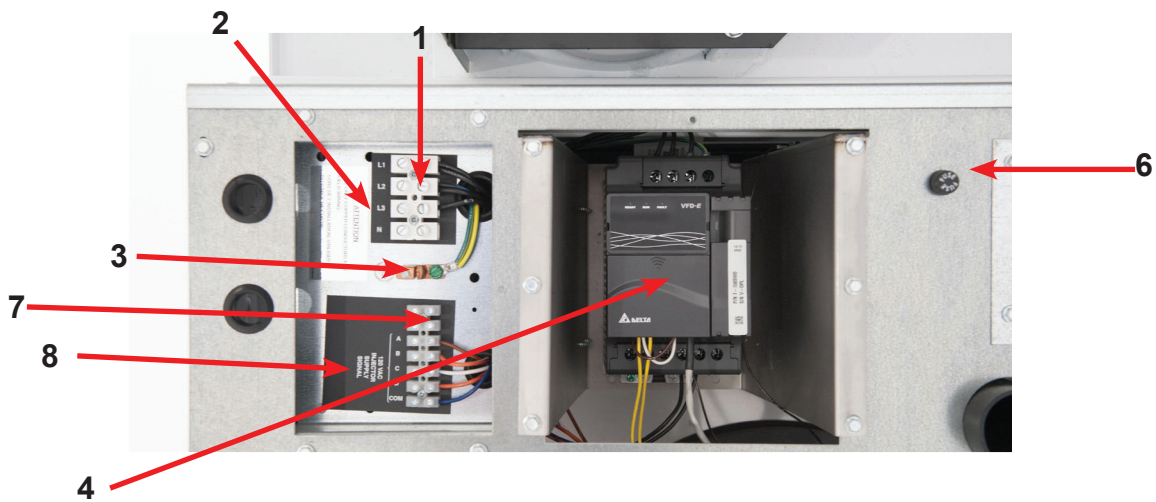
Electrical Components, Control Trough

Key	Description	Part Number	Qty
1	Trough Assy,Controls 208-240 volt	9857-231-001	1
	Trough only	9839-018-001	1
2	Transformer, Control (208/230/60 Hz In 24 VAc Out Volts)	8711-004-004	1
*	Wire Assembly, Red 28"	8220-062-025	2
*	Screw, #10B x 1/2	9545-008-026	4
*	Lockwasher Exttooth #10	8641-582-006	4
*	Wire Assembly, BLK/RED	8220-001-230	1
*	Wire Assembly, BLK/BLUE	8220-001-231	1
3	Terminal Block Assy, POWER	9897-026-004	1
*	Screw, Mtg 8ABx1/2"	9545-045-012	2
*	Harness-extention, Transformer	9627-826-001	1
*	Screw, 8B x 1/4	9545-045-001	2
*	Lockwasher-External Tooth, #10	8641-582-006	2
*	Wire Assembly, P12, Red 7"	9631-381-018	1
4	PCB assembly Relay Main	9473-006-001	1
*	PCB support 3/8 edge Holding	9548-285-001	10
*	Wiring Harness, Door Lock P15/P4	9627-816-002	1
*	Wiring Assembly Yel. 32" P14 & P13	8220-064-023	2
5	Wiring Harness, Drain,Thermo,Door Gear Motor P17	9627-820-002	1
6	Wiring Harness WaterValve/P19	9627-795-004	1
7	Wiring Harness P8/P16	9627-819-001	1
*	Wiring Harness P20/P21	9627-818-002	1
8	Sensor-Pressure Switch	9732-315-001	1
9	Harness Assembly, Pressure Switch	9627-823-001	1
10	Wiring Harness-Main	9627-914-002	1
11	Transformer	8711-010-003	1
12	Optional Relay board	9473-007-001	



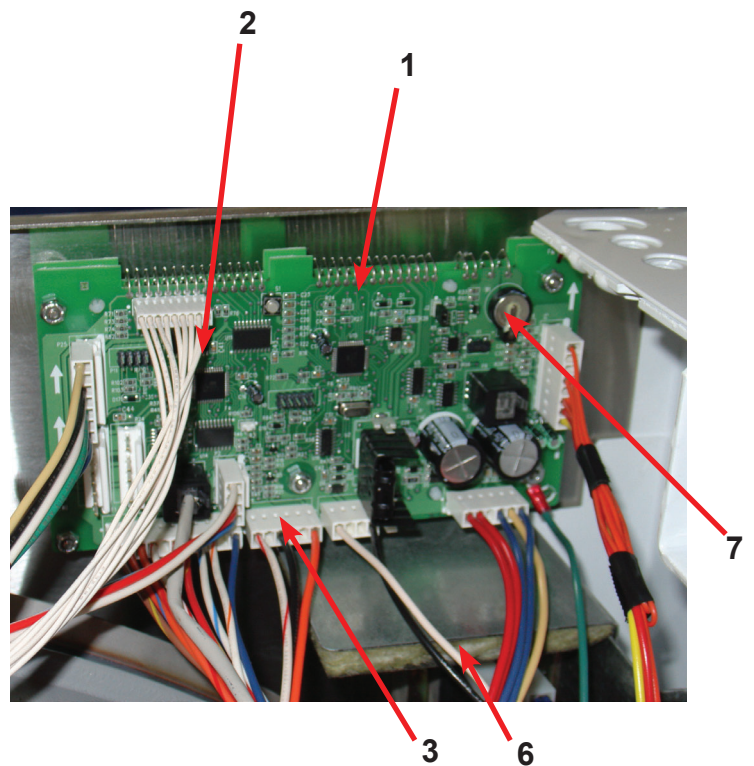
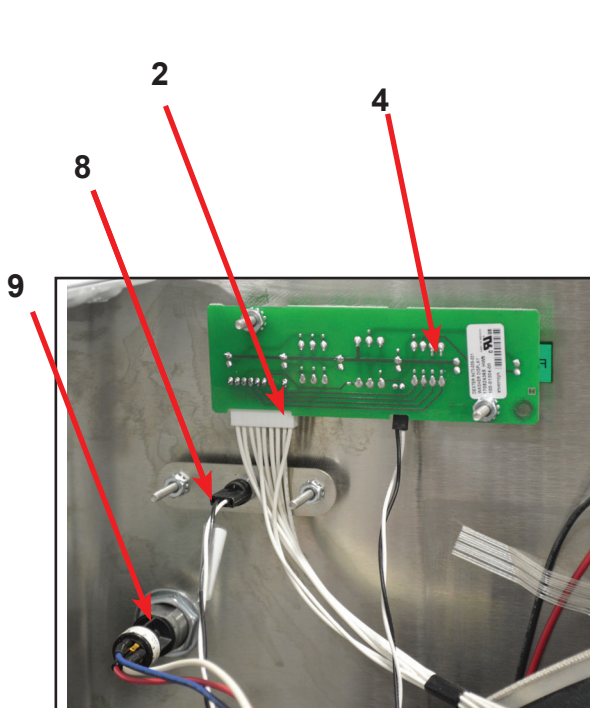
Electrical Components, Upper Channel

Key	Description	Part Number	Qty
1	Terminal Block Assy, POWER	9897-033-002	1
*	Screw, Mtg 6ABx3/4"	9495-031-010	2
2	Strip, Terminal Marker	9558-025-001	1
3	Terminal, Lug-Solderless (Ground)	8652-134-001	1
*	Screw, 10-32TTx1/2 Green (Control Trough)	9545-008-027	
*	Wiring Harness Power Terminal To VFD & Control Transformer and ground wire	9627-747-003	1
4	VFD Delta drive 208-240 volt	9375-032-014	1
*	Cable, Data Communication	9806-015-002	1
*	VFD MS300, V4	9375-034-011	1
*	Cable, Data MS300, V4	9806-026-003	1
*	Wiring Assembly Yel. 32"	8220-064-023	2
5	Braking resistors (200 ohm)	9483-004-002	2
*	Wire Assembly-Jumper, BLK (Breaking Resistors)	8220-117-002	2
6	Circuit Breaker	5198-211-002	1
7	Terminal Block Assy, Injector	9897-032-002	1
8	Strip-termmarker	9558-028-002	
	Screw-pnhdtorx 4bx5/8 ss	9545-053-002	



Front Panel Control Group

Key	Description	Part Number	Qty
*	Nameplate,Control Panel Black(one piece)	9412-239-001	1
1	PCB assembly Control /Display	9473-004-010	1
*	Spacer Pushbutton (Micro)	9538-192-001	1
*	Retainer Pushbutton (Micro)	9486-158-001	1
*	Nut Hexelasticstop #4-40	8640-424-002	2
*	Pushbutton Control	9035-062-003	1
*	Spacer Plastic #6x9/16	9538-157-018	5
*	Nut Elasticstop #6-32	8640-411-002	4
*	Nut-Hexkeys, #6-32	8640-411-003	1
2	Harness LEDPCB	9627-797-001	1
3	Harness Doorlock, Switches	9627-816-002	1
4	PCB assembly Mode lights	9473-005-001	1
*	Spacer Plastic #6x9/16	9537-157-018	2
*	Nut Hexkeys #6-32	8640-411-003	2
6	Door Locking Actuator 24 volts	9892-017-002	1
*	Hex Nuts (mounting gear motor to control)	8640-412-005	4
7	Battery	8612-001-001	1
8	Add Bleach Light (Wiring Harness included)	9794-001-002	1
9	Lock Run/Program With Harness	8650-027-001	1

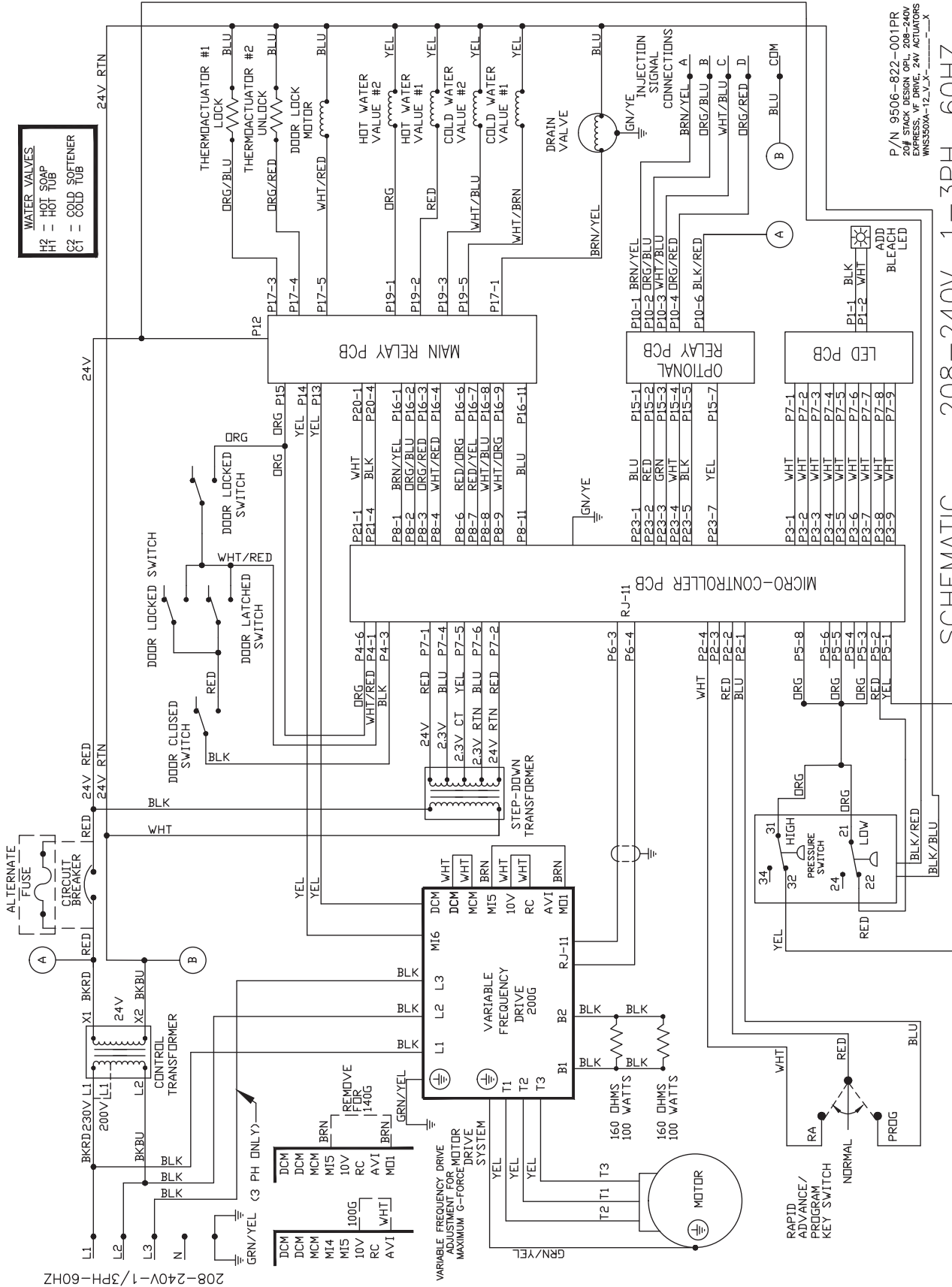


Labels and Diagrams

Key	Description	Part Number	Qty
*	Wiring Diagram, OPL	9506-822-001	1
1	Label High Voltage Warning	8502-614-004	1
*	Cover controls	9074-267-001	1
2	Label Fusing & Installation	8502-619-004	1
3	Label Warning Risk of Injury Black	8502-759-001	1
4	Label Warning Door Opening Black	8502-757-001	1
*	Booklet Owners-operators	8514-283-001	1
5	Label, Dispenser Instructions, Black	8502-745-001	1
6	Cover-Motor Control	9074-268-001	1



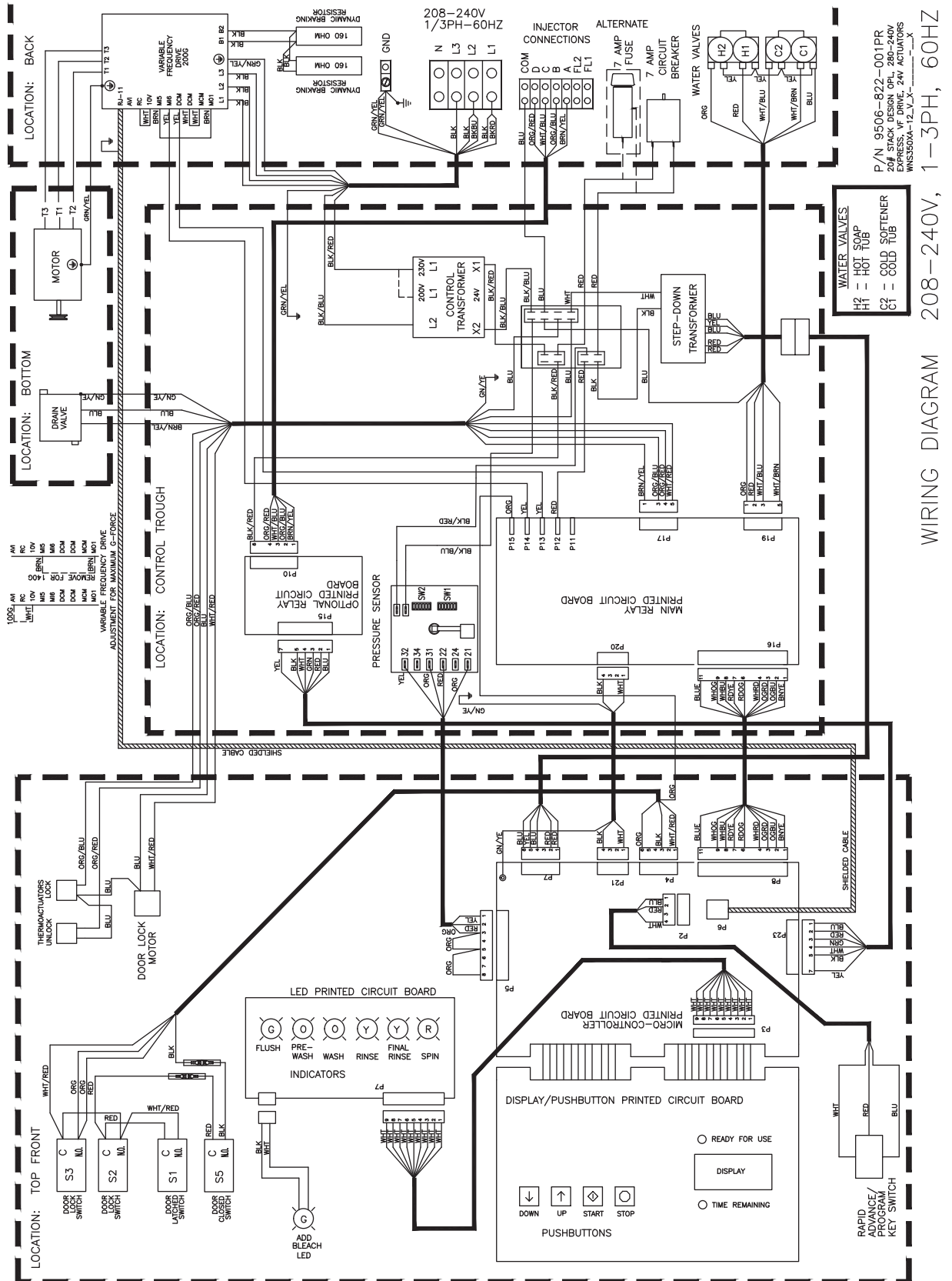
Wiring Schematic for 60hz opl Washer



P/N: 9506-822-001PR
 20# STACK DESIGN OPL 208-240V
 EXPRESS: VF DRIVE, 24V ACTUATORS
 WNS350XA-12-V-X-_-_-X

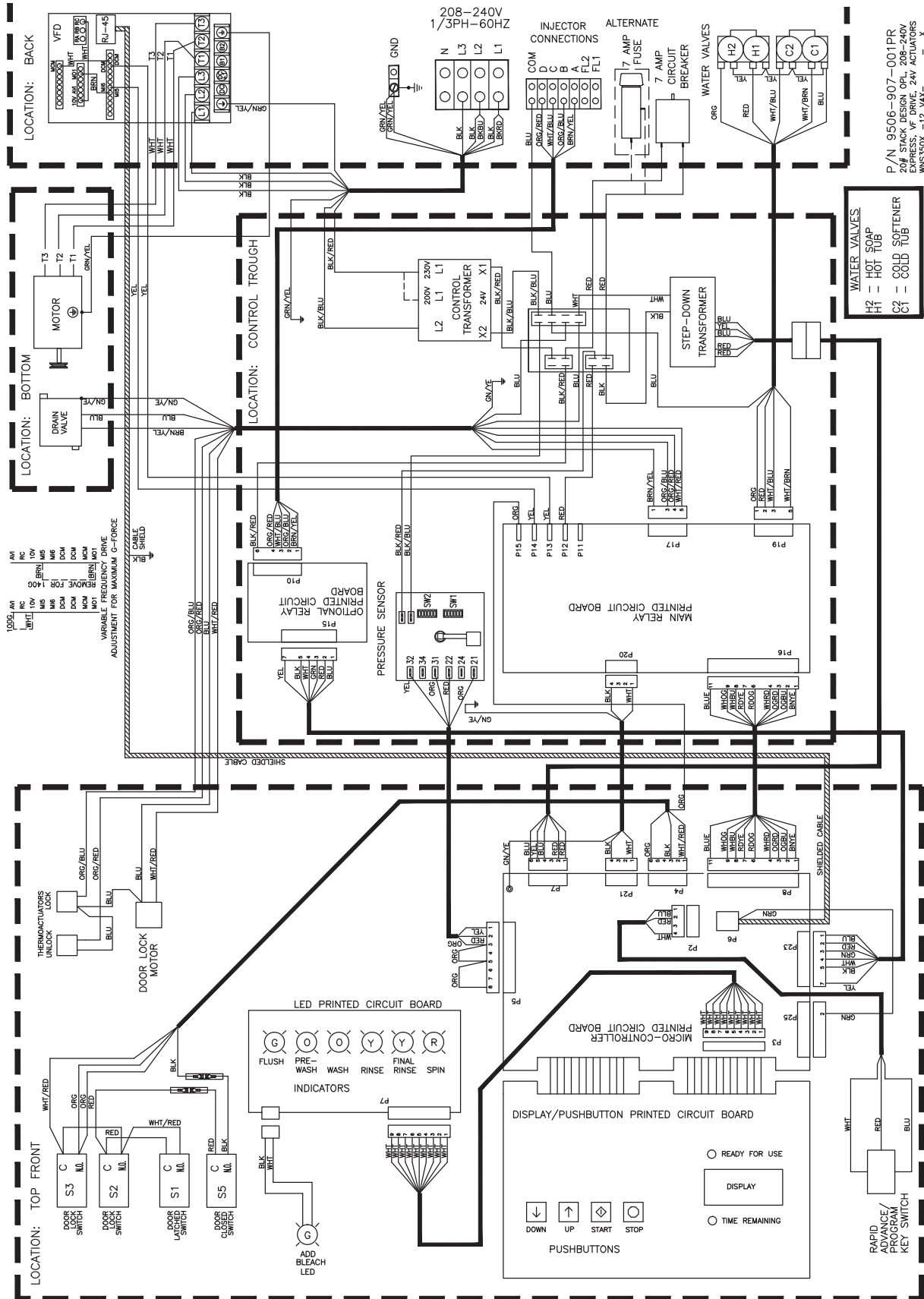
SCHEMATIC 208-240V, 1-3PH, 60HZ

Wiring Diagram for 60hz opl Washer



P/N 9506-822-001PR
 26# STACK DESIGN OPL 280-240V
 EXPRESS, VF DRIVE, 24V ACTUATORS
 WNS500A-12_V_X-_____X

SWD T-350-12 V4 Diagram



P/N 9506-907-001PR
 20# STACK DESIGN ORL 208-240V
 EXPRESS VFD DRIVE 24V ACTUATORS
 WNS350X-12_V4X-_____X

WIRING DIAGRAM 208-240V, 1-3PH, 60HZ

Section: 12

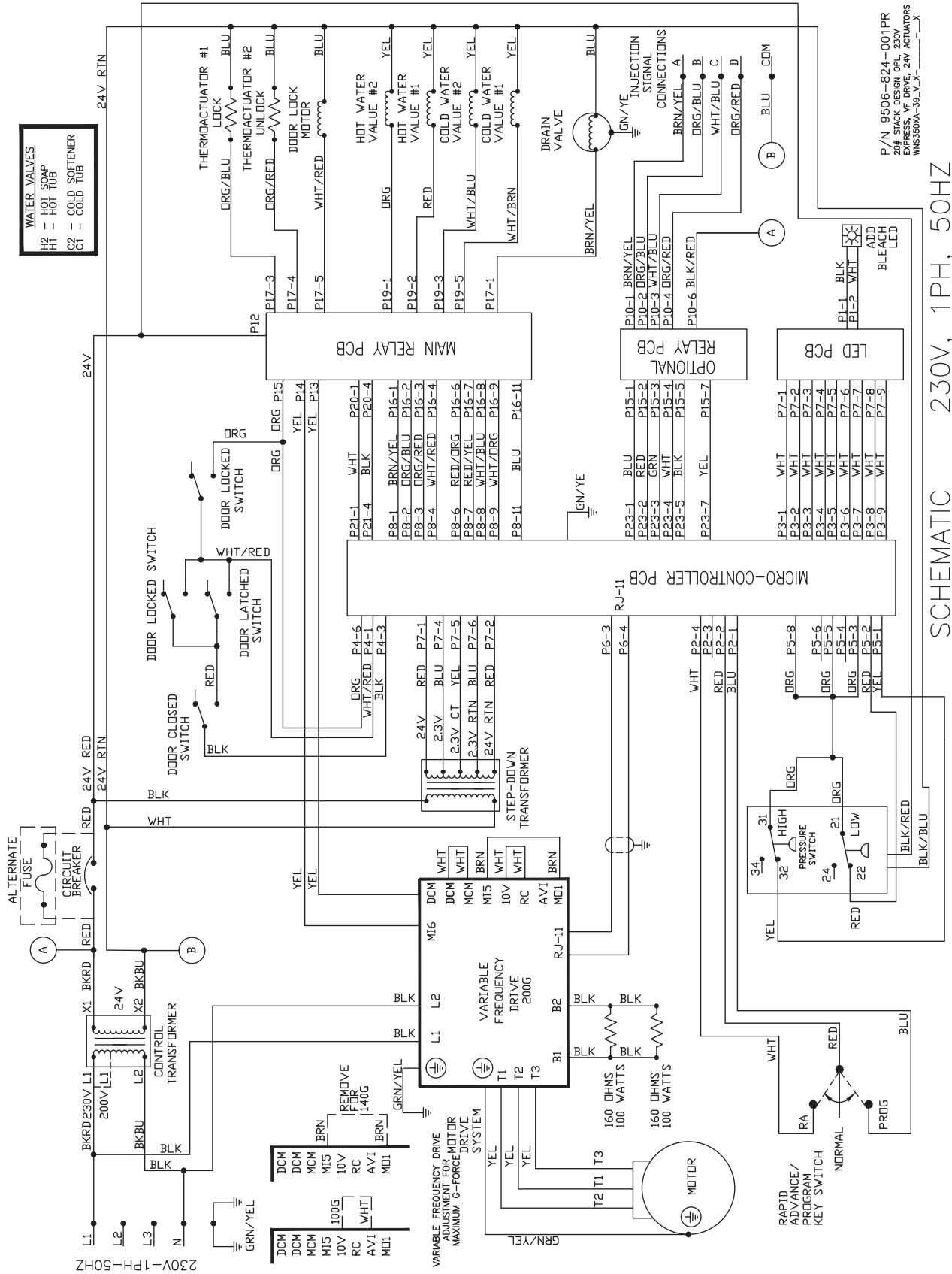
50 Hz Washer

Models

Parts in this section used only in these models. All other parts are same as standard 60 Hz pages.

Key	Description	Part Number	Qty
1	INFORMATIVE-WNS350X_-39_V_X	6102-018-356	1
2	LABEL-BLANK,ONEACROSS(CARTON)	8502-669-002	1
3	LABEL-WATERMARK	8502-777-001	1
4	INSTRUCT-TRANSFORMERCONN,50HZ	8507-449-002	1
5	MANUAL-OPERATORS,WNS350,50HZ	8514-283-002	1
6	DRIVE-DELTAE,350SWD23#,180GOPL	9375-032-020	1
7	WIRINGLABEL-SCHEMATIC/DIAGRAM	9506-824-001	1
8	WIRINGHARNES-POWERTERMINALBLK	9627-747-006	1
9	HOSEASSY-INLET,BLACK,1/2	9990-027-014	1

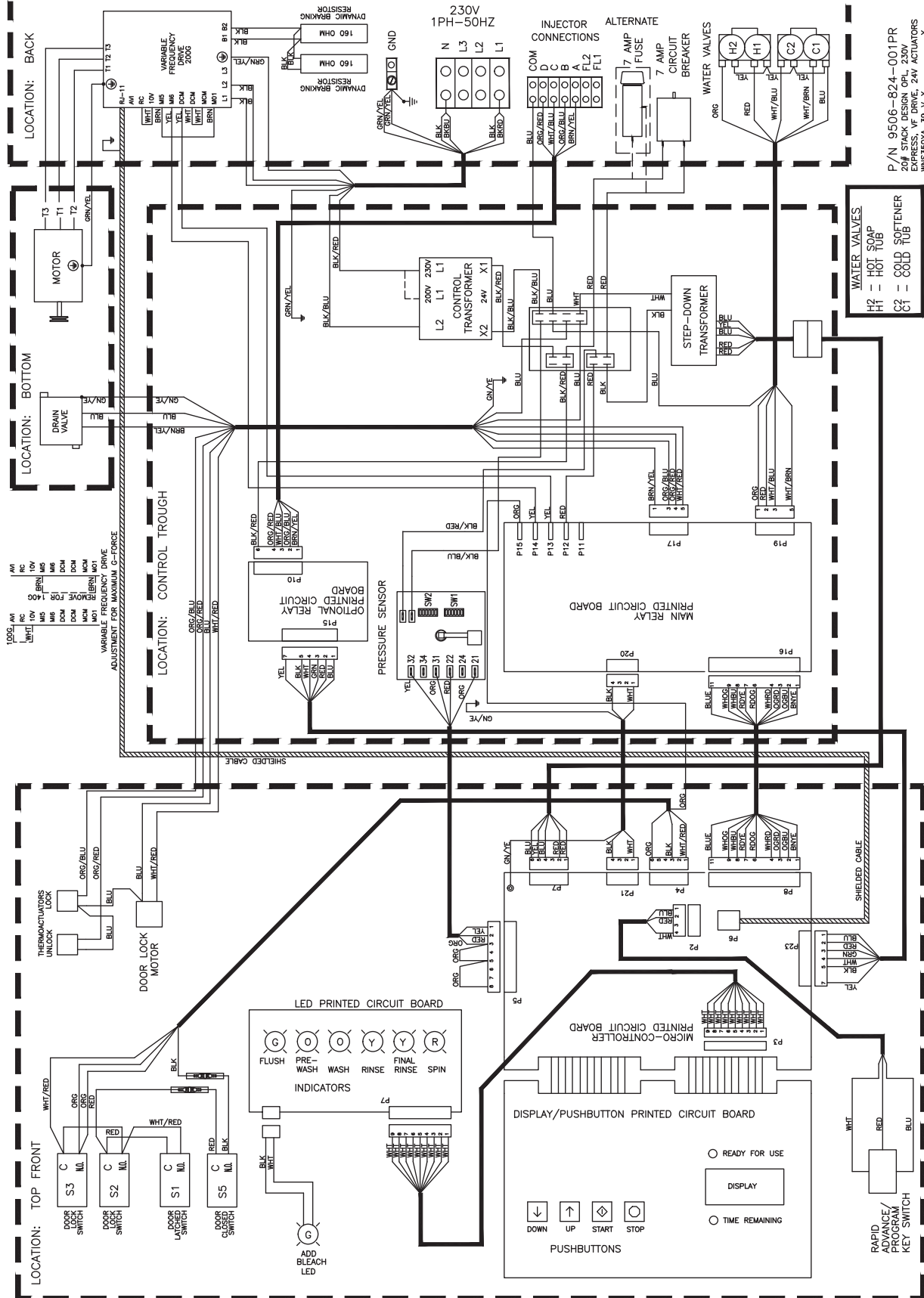
Wiring Schematic for 50hz Washer -39



P/N 9506-824-001PR
 20# STACK DESIGN OPL, 230V
 EXPRESS, VF DRIVE, 24V ACTUATORS
 WMS9506A-39_V_X-_____X

SCHEMATIC 230V, 1PH, 50HZ

Wiring Diagram for 50hz Washer -39

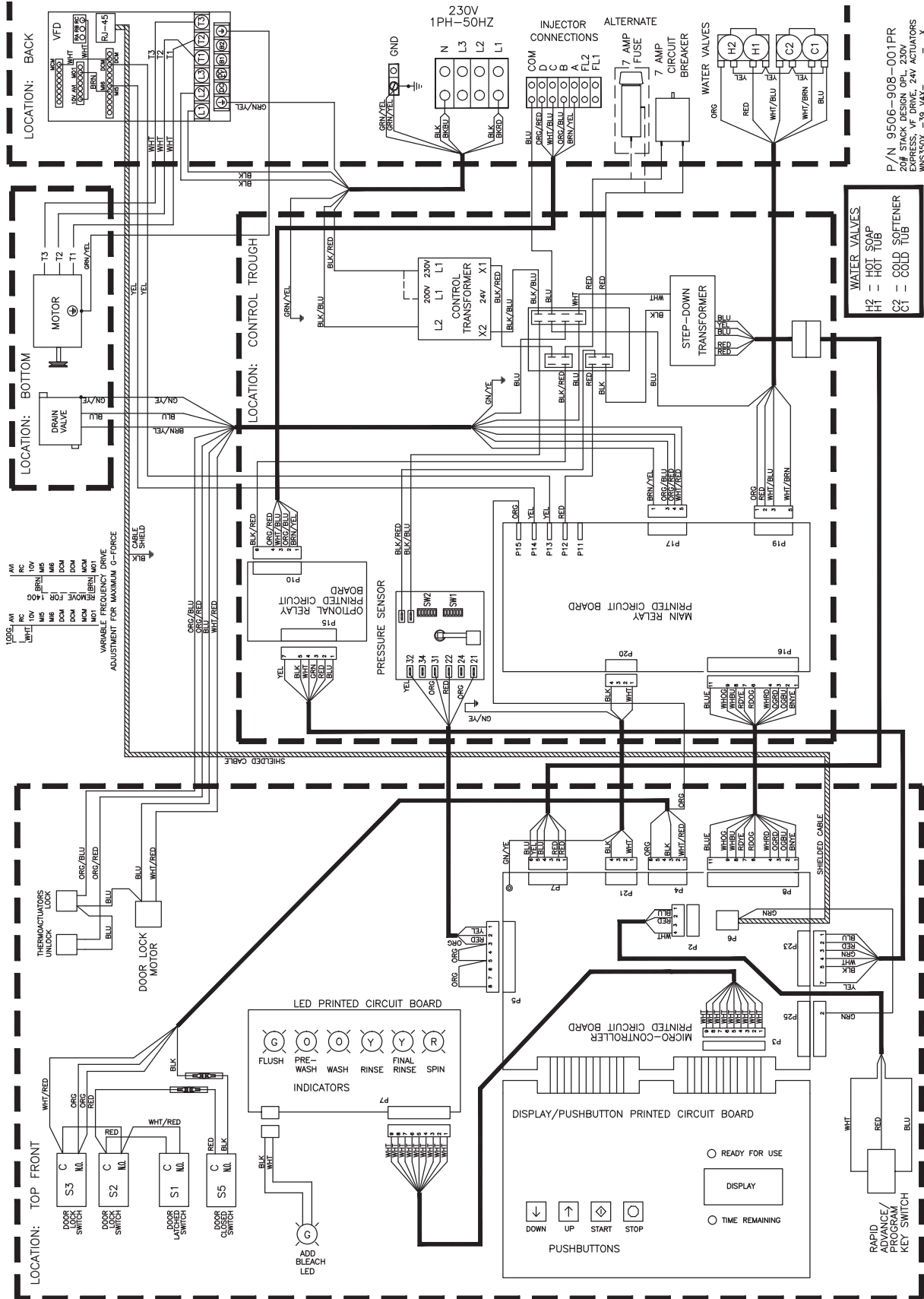


P/N 9506-824-001PR
 20# STACK DESIGN OPL 230V
 WSS550A-39 V1.24W ACTUATORS

WIRING DIAGRAM 230V, 1PH, 50HZ

WATER VALVES
 H2 - HOT SOAP
 HT - HOT TUB
 C2 - COLD SOFTENER
 C1 - COLD TUB

SWD T-350-39 V4 Diagram



P/N 9506-908-001PR
 204 STACK DESIGN OR 230V
 EXPRESS VFD DRIVE 24V ACTUATORS
 WNS350L-39_V4X

WIRING DIAGRAM 230V, 1PH, 50HZ

