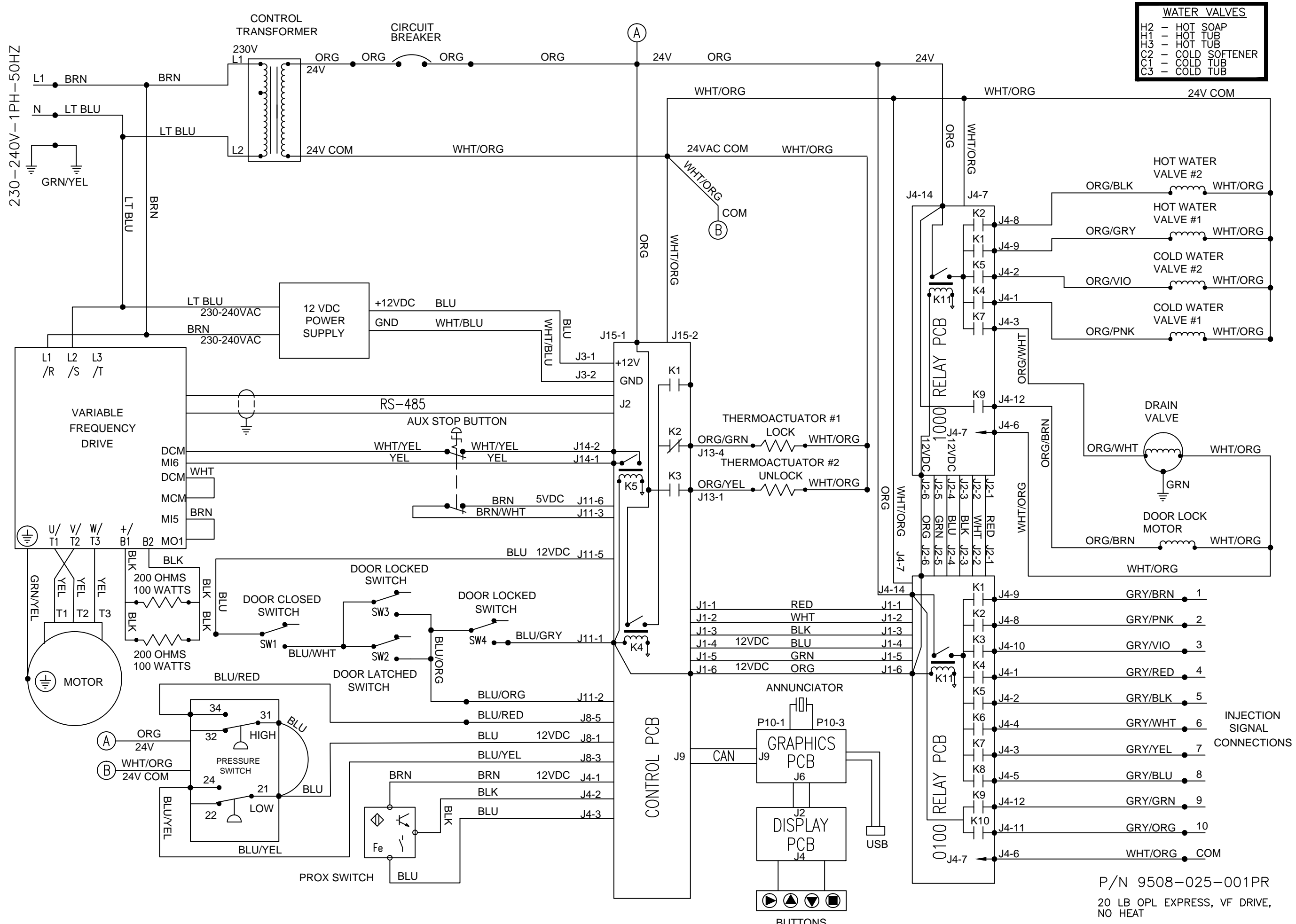


WIRING DIAGRAM 230 - 240V, 1PH, 50HZ

P/N 9507-025-001PR
 20 LB OPL EXPRESS, VF DRIVE
 NO HEAT
 WN0350XA-39_0_X-____-__X



WATER VALVES	
H2	- HOT SOAP
H1	- HOT TUB
H3	- HOT TUB
C2	- COLD SOFTENER
C1	- COLD TUB
C3	- COLD TUB

SCHEMATIC

230-240V-1PH-50HZ

P/N 9508-025-001PR
 20 LB OPL EXPRESS, VF DRIVE,
 NO HEAT