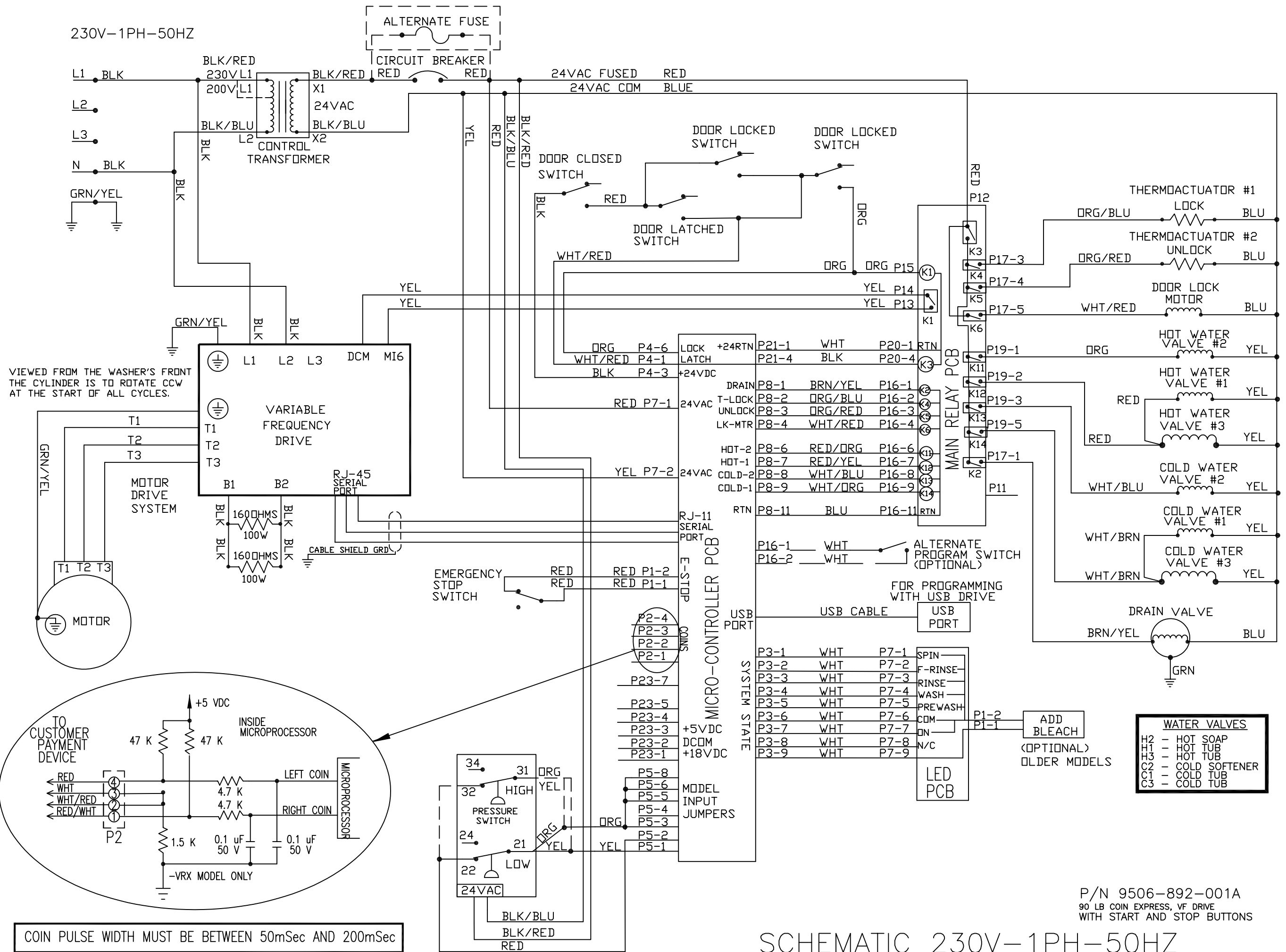
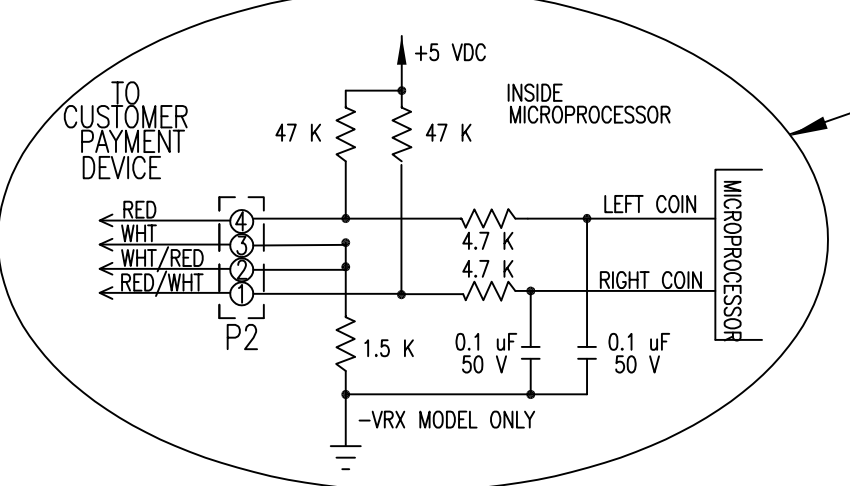


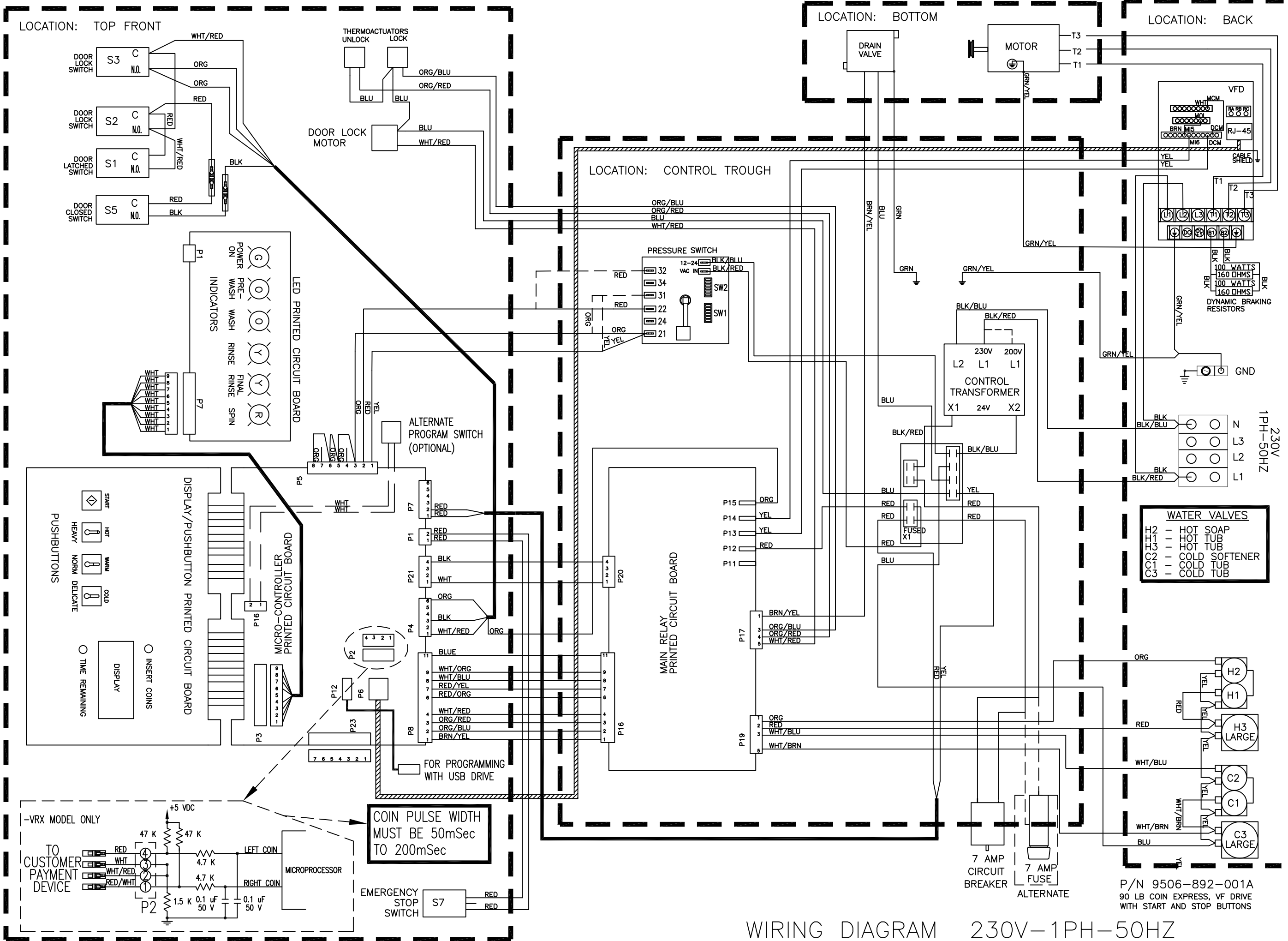
230V-1PH-50HZ



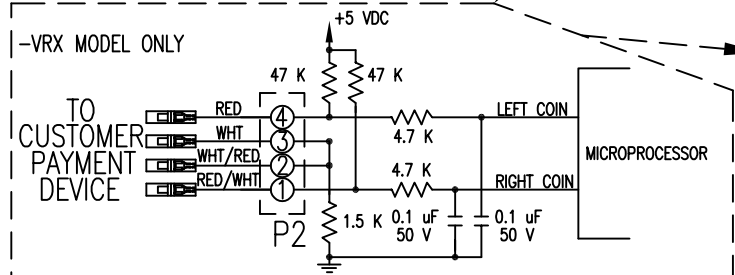
VIEWED FROM THE WASHER'S FRONT THE CYLINDER IS TO ROTATE CCW AT THE START OF ALL CYCLES.



COIN PULSE WIDTH MUST BE BETWEEN 50mSec AND 200mSec



WATER VALVES	
H2	- HOT SOAP
H1	- HOT TUB
H3	- HOT TUB
C2	- COLD SOFTENER
C1	- COLD TUB
C3	- COLD TUB



WIRING DIAGRAM 230V-1PH-50HZ

P/N 9506-892-001A
 90 LB COIN EXPRESS, VF DRIVE
 WITH START AND STOP BUTTONS