

X SERIES



X-Series Vended Washers Express (200G) & Non-Express (100G) Parts Manual



DEXTER
LAUNDRY



USE THE TABS LOCATED ON THE
RIGHT AND LEFT SIDES OF THE FOLLOWING
DOCUMENT TO ADVANCE TO EACH SECTION.

Table of Contents

Section 1: Standard Chassis Express Washer Parts Data.....	4
Accessories.....	4
Kits & Assemblies.....	6
Wiring Harnesses.....	7
Cabinet & Front Panel.....	8
Door Lock.....	10
Loading Door.....	12
Seals & Bearings.....	14
Chassis, Drain, & Cylinder.....	16
Rear View.....	18
Water Inlet & Rear Channel.....	20
Electrical Components.....	22
Control Panel.....	24
Section 2: Large Chassis Express Washer Parts Data.....	25
Accessories.....	25
Kits & Assemblies.....	26
Wiring Harnesses.....	27
Cabinet & Front Panel.....	28
Door Lock.....	30
Loading Door.....	32
Cylinder, Seals, & Bearings.....	34
Chassis & Drain.....	36
Rear View.....	38
Water Inlet & Rear Channel.....	40
Electrical Components.....	42
Control Panel.....	44
Section 3: T-1800 Non-Express Washer Parts Data.....	45
Accessories.....	45
Kits & Assemblies.....	46
Wiring Harnesses.....	47
Cabinet & Front Panel.....	48
Door Lock.....	50
Loading Door.....	52
Cylinder, Seals, & Bearings.....	54
Chassis & Drain.....	56
Rear View.....	58
Water Inlet & Rear Channel.....	60
Electrical Components.....	62
Control Panel.....	64

Accessories for X-Series Vended Standard Chassis Express Washers

WC0350__-__T__
 WC0450__-__T__

Description	T-350	T-450
Kit, Door Gasket Expander (Small)	9732-139-001	9732-139-001
Kit, Door Gasket Expander (Large)	9732-139-002	9732-139-002
Hose, Water Supply 3/8" I.D. x 48"	9990-027-011	9990-027-011
Washer, Inlet Hose (furnished)	8641-242-000	8641-242-000
Strainer, Inlet Hose (furnished)	9565-003-001	9565-003-001
Bevel Washer for 5/8" bolt used in installations using angle iron bases	8641-586-002	8641-586-002
Bevel Washer for 3/4" bolt used in installations using angle iron bases	8641-586-003	8641-586-003
Sealing compound	8538-151-001	8538-151-001
TORX#20	8545-051-002	8545-051-002
Flow Restrictors (in dispenser)	9475-002-002	9475-002-002
Coin Bearing & Seal Kit	9732-219-008	9732-219-005
Coin Box Assy, Blue Large	9807-099-002	9807-099-002
Coin Box Assy, Black Large	9807-099-004	9807-099-004



DEXTER
 LAUNDRY



Section 1: X-Series Vended Standard Chassis Washers Express (200G) Parts Data

Kits, Assemblies, and Common Parts - Standard Chassis

Coin Acceptor Components	Part Number
Programmable Coin Acceptor	9021-099-001
Retainer, Coin Acceptor	9486-149-001
Coin Drop Screws	9545-053-002
Loading Door & Door Lock Components	Part Number
Door Glass Gasket (Standard Door - T-450)	9206-419-001
Door Glass Gasket (Small Door - T-350)	9206-411-002
Kit - Door Gasket Expander Kit (Small)	9732-139-001
Kit - Door Gasket Expander Kit (Large)	9732-139-002
Door Handle Only (Large)	9244-091-001
Door Close Switch	9539-492-001
Door Lock Gear Motor Assembly (60Hz Only)	9892-015-003
Door Lock Gear Motor Assembly 24V (50Hz Only)	9892-015-002
Door Latching Assembly	9885-031-001P
Electrical Components	Part Number
Transformer, Control (60Hz Only)	8711-017-001
Transformer, Control (50Hz Only)	8711-004-004
Main Control Board	9799-029-001P
Water Pressure Sensor	9474-007-001
VFD & Breaking Resistors Components	Part Number
Breaking Resistor 200 Ohms (T-450 Only)	9483-004-002
Data Cable	9806-023-003
MS 300 VFD Display	9150-058-001
Drain & Water Valve Components	Part Number
Kit - 3" Drain Valve Seal Replacement (T-450)	9732-327-001
Drain Valve 3" (T-450) (60Hz Only)	9379-202-001
Drain Valve 3" 24V (T-450) (50Hz Only)	9379-202-002
Drain Valve 2" (T-350) (60Hz Only)	9379-199-001
Drain Valve 2" 24v (T-350) (50Hz Only)	9379-199-002
Water Valve (Dual) (60Hz Only)	9379-183-012
Water Valve (Dual) (50Hz Only)	9379-183-013
Diaphragm (Dual)	9118-049-003
Cabinet Components	Part Number
Front Panel Screw	9545-008-014
Front Panel Finisher Washer	8641-585-001
Front Panel Spring Nut	8640-442-001
Top Soap Box Screw	9545-008-030
Top Soap Box Spring Nut	8640-399-007
5/16 Hex Screw, Common	9545-008-026
Top Lock Key #6324	6292-006-007
Cylinder Plug (1.5" Plastic)	9456-041-007

Wiring Harnesses

Description	T-350	T-650	QTY
Wiring Harness, Coin Vault Switch	9628-025-001	9628-025-001	1
Wiring Harness, Door Lock	9627-936-002	9627-936-002	1
Wire Assembly, WHT/RED, Water Valve	8220-123-002	8220-123-002	1
Data Cable Assembly	9806-023-003	9806-023-003	1
Wiring Harness, Ctrl/Graphics	9627-922-002	9627-922-002	1
Wiring Harness, Relay, 15-pin	9628-023-001	9628-023-001	1
Model ID Jumper Wire	8220-158-005	8220-158-011	1
Wiring Harness, Door/E-Stop	9628-022-001	9628-022-001	1
Wiring Harness, Cntrol/Relay	9627-921-001	9627-921-001	1
Relay Jumper Wire	8220-159-006	8220-159-006	1
Wiring Harness, WPS	9628-020-001	9628-020-001	1
Wire Assembly, ORG 17"	8220-062-052	8220-062-052	1
Wire Assembly, WHT/ORG 17 1/2"	8220-062-053	8220-062-053	1
Wiring Harness, Power Supply	9627-923-001	9627-923-001	1
Wiring Harness, VFD Enable	9628-021-001	9628-021-001	1
Wiring Harness, 15-pin, Non-Inj	9627-934-002	9627-934-002	1
Wiring Harness, Payment, Programmable Acpt	9628-024-002	9628-024-002	1
USB Cable Assembly	9806-022-001	9806-022-001	1
Wiring Harness, Pwr Term. Block	9627-932-002	9627-932-002	1
Wiring Label, Diagram/Informative	9507-085-001	9507-086-001	1
Wiring Label, Schematic	9508-085-001	9508-086-001	1
Black Wire Assembly, Terminal Block		8220-117-002	2
Blue Wire Assembly 29"	8220-063-051	822-063-051	1
Blue/Wht Wire Assembly 29"	8220-063-052	8220-063-052	1

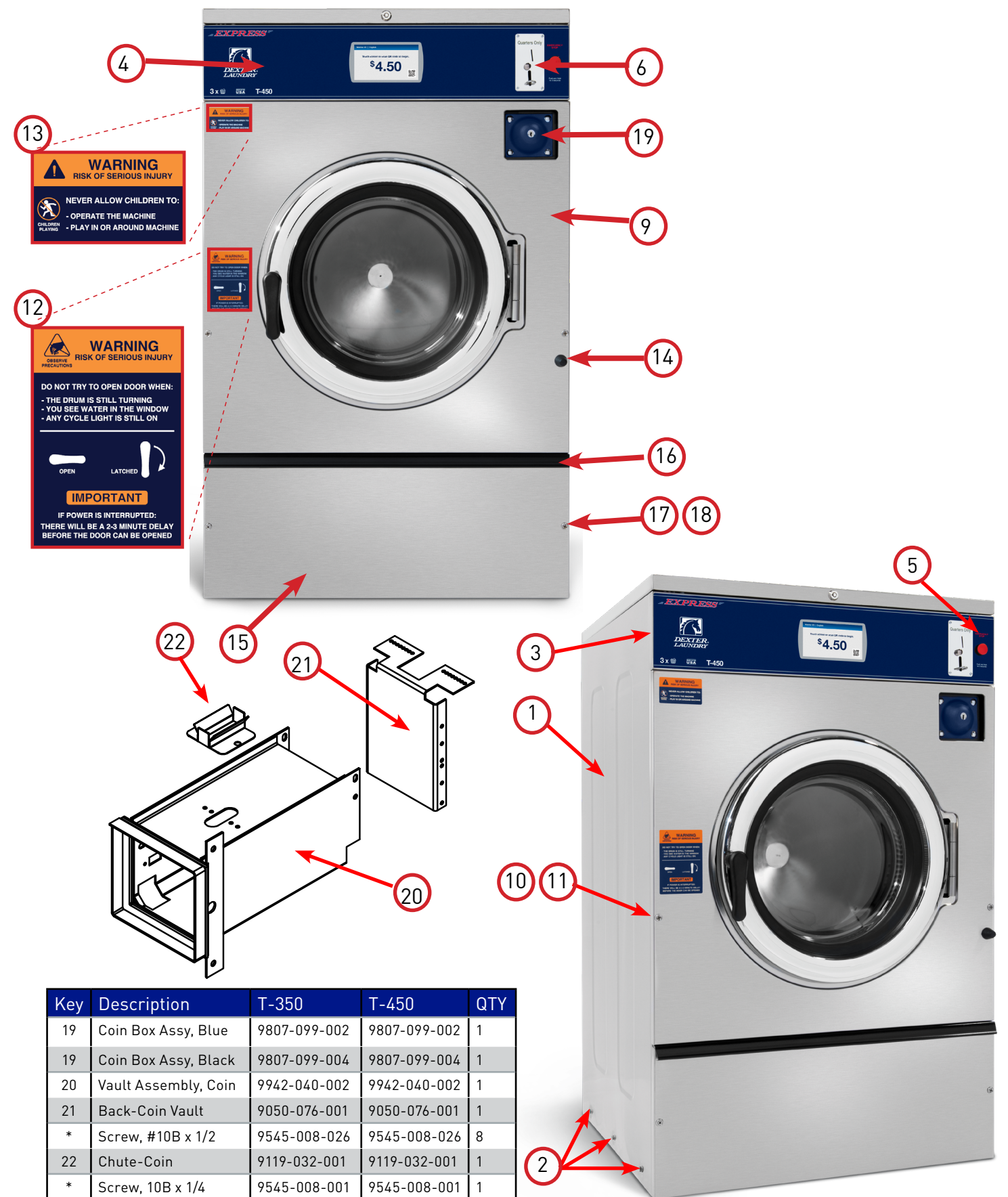
50Hz Wiring Harnesses Only

Description	T-350	T-450	QTY
Wiring Harness, Pwr Term Block, Non-Htd	9628-001-002	9628-001-002	1
Wiring Harness, 15-pin, Valves	9628-004-002	9628-004-002	1
Wiring Harness, Relay, 15-pin	9628-028-001	9628-028-001	1
Wiring Harness, Payment, Programmable Acpt	9628-024-001	9628-024-001	1
Jumper Wire Assembly, WHT/ORG, Water Valve	8220-123-003	8220-123-003	1
Wiring Label, Diagram	9507-098-001	9507-099-001	1
Wiring Label, Schematic	9508-098-001	9508-099-001	1

Cabinet & Front Panel Parts Group

Key	Description	T-350	T-450	QTY
1	Panel, Right Side-stainless	9989-640-001	9989-642-001	1
1	Panel, Left Side - stainless	9989-640-002	9989-642-002	1
2	Screw, (Side Panel to Base)	9545-018-018	9545-018-013	6
*	Nut, Hex 1/4-20 UNC	8640-414-006	8640-414-006	6
*	Bracket, Side Panel under front panel	9029-263-001	9029-263-001	1
*	Nut, Hex (to tub front)	8640-413-002	8640-413-002	2
*	Screw, #10B x 1/2	9545-008-026	9545-008-026	2
3	Panel, Control (Mounts Nameplate)	9989-557-001	9989-558-001	1
*	Screw, Control Panel to Sides	9545-008-026	9545-008-026	4
4	Nameplate Decal, Control Panel (Blue)	9412-264-002	9412-265-002	1
4	Nameplate Decal, Control Panel (Black)	9412-264-001	9412-265-001	1
*	Label-Nameplate, Stop (Blue)	8502-789-002		1
*	Label-Nameplate, Stop (Black)	8502-789-001		1
*	Stop Button Mounting Plate	9452-725-001	9452-725-001	1
5	Emergency Stop Button	9035-061-001	9035-061-001	1
*	Emergency Stop Switch	9539-496-001	9539-496-001	1
6	Acceptor, Coin-Programmable	9021-099-001	9021-099-001	1
*	Retainer-Dual coin Acceptor	9486-149-001	9486-149-001	2
*	Screws, Coin Acceptor	9545-053-002	9545-053-002	4
9	Front Panel	9454-893-001	9454-894-001	1
*	Door Close Switch	9539-492-001	9539-492-001	1
*	Screw, Hex- To Control Panel	9545-008-026	9545-008-026	2
*	Nut, Spring- To Control Panel 10/32	8640-442-001	8640-442-001	4
10	Screw, Flat Head- Front to Sides	9545-008-014	9545-008-014	2
11	Washer, Finish	8641-585-001	8641-585-001	2
*	Nut, Spring-To Front Panel	8640-442-001	8640-442-001	2
12	Label, Door Opening-Blue	8502-757-002	8502-757-002	1
12	Label, Door Opening-Black	8502-757-001	8502-757-001	1
13	Label, Warning Risk of Injury-Blue	8502-759-002	8502-759-002	1
13	Label, Warning Risk of Injury-Black	8502-759-001	8502-759-001	1
14	Bumper-Loading door	9051-055-001	9051-055-001	1
*	Nut, 1/4-20 UNC, 2B	8640-414-003	8640-414-003	1
15	Door, Lower Service (includes handle & Rivets)	9960-286-001	9960-286-002	1
16	Handle (bumper guard)	9244-086-001	9244-086-002	1
*	Rivet	9491-009-003	9491-009-003	4
17	Screw Mtg., Flat Head	9545-008-030	9545-008-030	2
18	Washer, Finish	8641-585-001	8641-585-001	2
*	Nut, Spring	8640-399-008	8640-399-008	2

Cabinet & Front Panel Parts Group



Cabinet & Front Panel Parts Group Continued

Key	Description	T350	T450	QTY
23	Panel Top, Assembly (includes catch)	9989-563-002	9989-563-004	1
24	Lock, Top (w/Key)	8650-012-003	8650-012-003	1
*	Lock Spacer	9538-189-001	9538-189-001	*
*	Key, Top- # 6324	6292-006-007	6292-006-007	1
*	Cam, Lock-Top	9095-049-001	9095-049-001	1
*	Nut, 9/32 - 28 Hex	8640-426-001	8640-426-001	1
*	Washer Flat 5/16	8641-581-008	8641-581-008	1
25	Screw, Locator	9545-008-023	9545-008-023	2
26	Plastic Sleeve, Locator	9355-001-001	9355-001-001	2
27	Locator Post	9467-024-001	9467-024-001	2
*	Nut, Locator Post	8640-411-003	8640-411-003	2
28	Door, Dispenser	9108-095-005	9108-095-005	1
29	Post, Door Mounting	9467-025-001	9467-025-001	2
*	Pin, Plain-SS	9451-191-001	9451-191-001	2
*	Screw, Disp.Post Mtg	9545-045-002	9545-045-002	4
30	Dispenser, Soap	9122-005-004	9122-005-004	1
31	Gasket, Dispenser	9206-416-001	9206-416-001	1
*	Nut, Spring-SS	8640-399-007	8640-399-007	4
32	Screw, Disp. Mtg	9545-008-012	9545-008-012	4
*	Flow Restrictor	9475-002-002	9475-002-002	2
*	Plastic Plug 1 1/2" -(inside cylinder)	9456-041-007	9456-041-007	1
*	Hose-Dispenser outlet	9242-450-002	9242-450-002	1
33	Bracket, Side Panel under front panel	9029-263-001	9029-263-001	1
*	Nut, Hex (to tub front)	8640-413-002	8640-413-002	2
34	Screw, #10B x 1/2	9545-008-026	9545-008-026	2

Cabinet & Front Panel Parts Group Continued

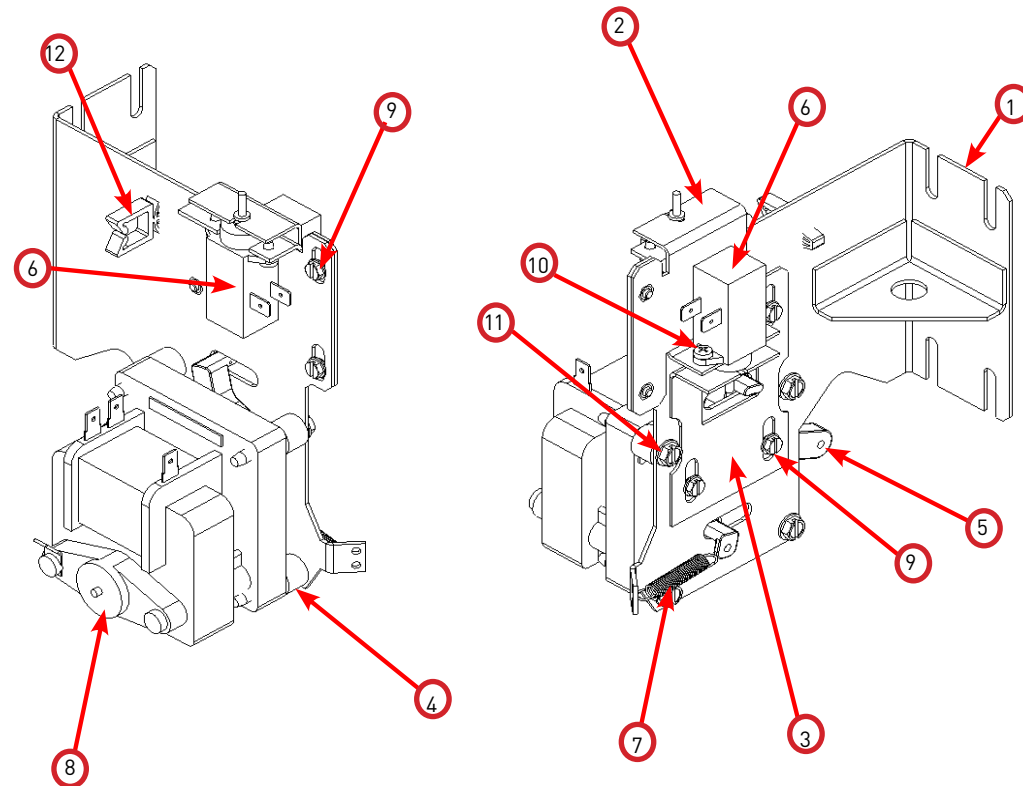


Door Lock Gear Motor Parts Group

Key	Description	T-350	T-450	QTY
*	Actuator Assembly (Includes 1-12, Rod NOT included) (60Hz Only)	9892-015-003	9892-015-003	1
1	Bracket Assy, Slide Lock Actuator	9985-190-001	9985-190-001	1
2	Bracket Assy, Slide - Unlock	9985-189-001	9985-189-001	1
3	Bracket Slide Lock	9029-204-001	9029-204-001	1
4	Spacer, Plastic	9538-157-021	9538-157-021	4
5	Arm - Door Lock	9001-063-001	9001-063-001	1
6	Thermoactuator-Door Lock Rel 120v (60Hz Only)	9586-001-003	9586-001-003	2
7	Spring - Extension	9534-350-001	9534-350-001	1
8	Motor & Gear Assembly 120v (60Hz Only)	9914-137-015	9914-137-015	1
9	Screw -Hxwshrdslsems, 6-32 x 3/16	9545-044-003	9545-044-003	6
10	Cross Recessed PAn Hd Tapping screw	9545-031-011	9545-031-011	4
11	Screw - hxwshdsl, 10-24 - 1.25f, ctd (60Hz)	9545-046-007	9545-046-007	4
12	Standoff-Wire	9527-007-001	9527-007-001	1
*	Rod, Door Lock	9497-225-011	9497-225-012	1
*	Harness, Door Lock	9627-936-002	9627-936-002	1

50Hz Door Lock Gear Motor Parts Group Only

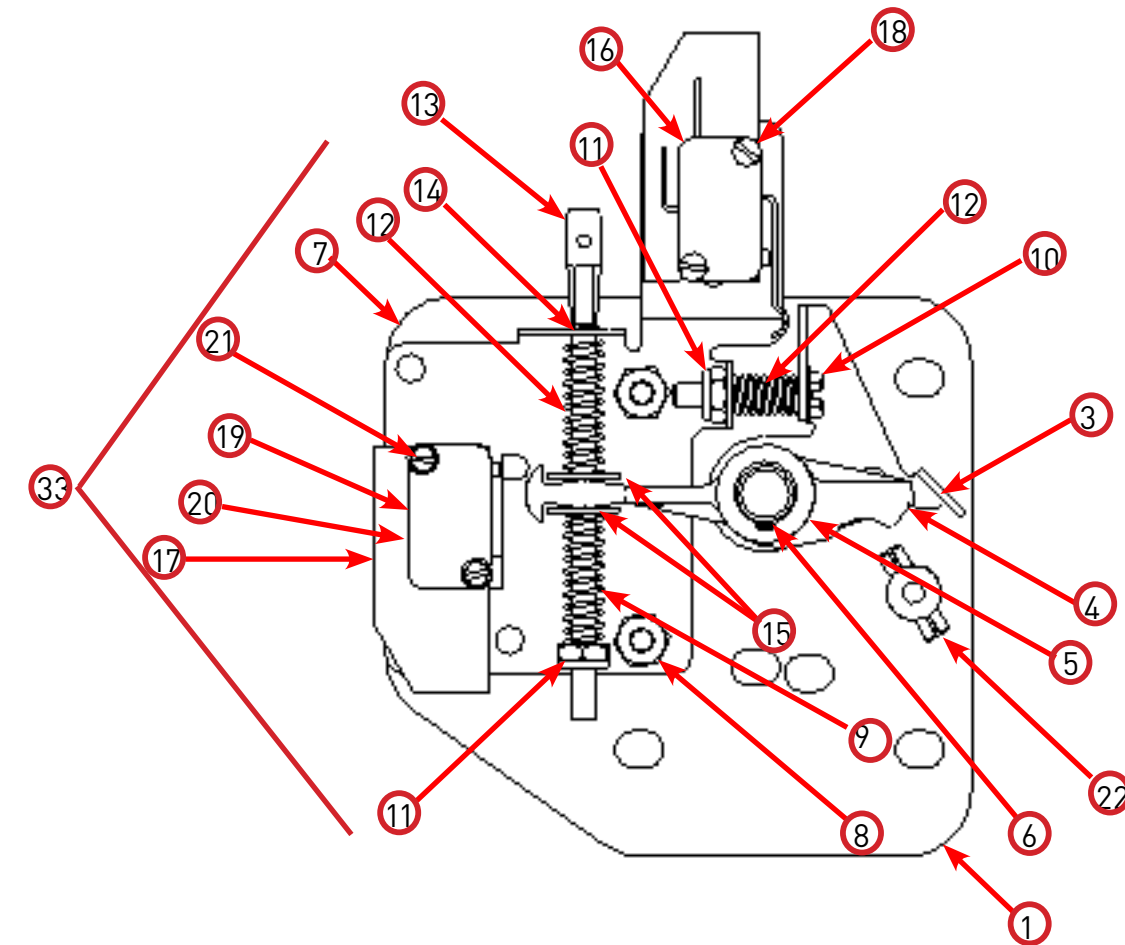
Key	Description	T-350	T-450	QTY
*	Actuator Assembly (Rod NOT included)	9892-015-002	9892-015-002	1
6	Thermoactuator-Door Lock Relay 24V	9586-001-003	9586-001-003	2
8	Motor & Gear Assembly 24V	9914-137-014	9914-137-014	1
11	Screw Pnhdcr, 10-32 UNFx0.75	9545-012-027	9545-012-027	4



Door Lock Latching Assembly Parts Group

Key	Description	All Models	QTY
33	Latching Assy, Complete (includes #1 thru #22)	9885-031-001	1
1	Plate Assy, Door Lock	9982-346-001	1
2	Washer, Flat (SS or Brass)	8641-581-030	1
3	Actuator, Latching Switch	9008-005-001	1
4	Pawl, Locking	9732-346-002	1
5	Washer, Spring	8641-569-003	1
6	Ring, Retaining	9487-200-004	1
7	Bracket Switch	9029-163-001	1
8	Nut, Hex 10-32 UNF	8640-413-002	2
9	Spring, Actuating	9534-364-002	1
10	Screw, Hx. 10-32 x 1"	9545-012-020	1
11	Nut, Elastic Stop 10-32	8640-413-004	2
12	Spring, Return	9534-364-001	2
13	Pin, Guide	9451-193-001	1

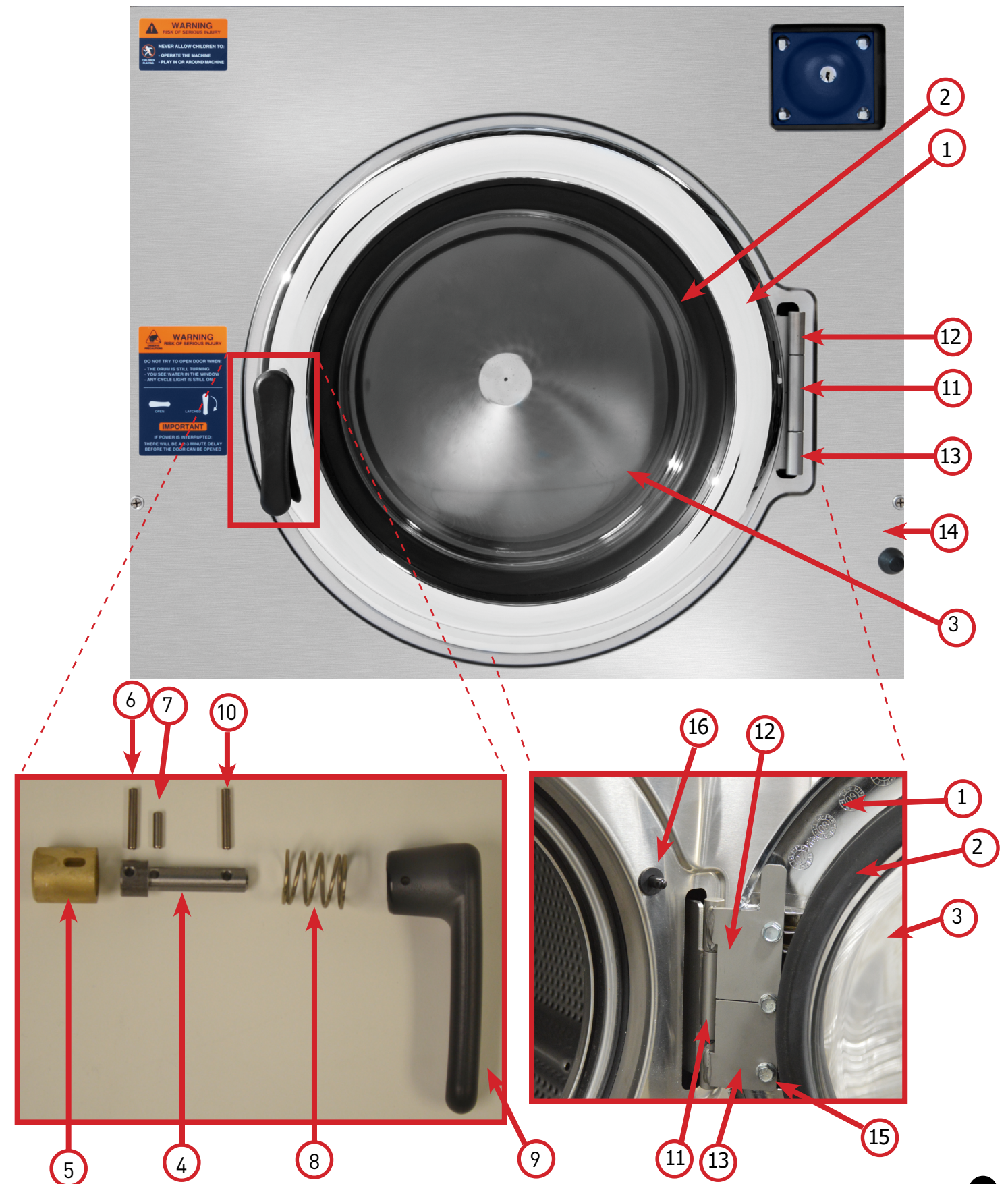
Key	Description	All Models	QTY
14	Ring, Retaining	9487-200-005	1
15	Washer	8641-581-031	1
16	Switch, Latching Sensing	9539-461-008	1
17	Shield, Switch	9550-169-003	3
18	Screw 4-40 x 5/8"	9545-020-001	2
18	Nut, Twin 4-40	8640-401-001	1
19	Switch, Locking Sensing	9539-461-007	2
20	Actuator, Switch Locking	9008-006-003	1
21	Screw 4-40 x 1 1/8"	9545-020-003	2
21	Nut, Twin 4-40	8640-401-001	1
*	Spacer Sensor	9538-182-001	*
22	Pin, Dowel (for door cam)	9451-181-004	1
*	Shim, Door Lock, Thin	9552-037-001	AR
*	Screw, Lock mtg 1/4"-20 x 3/4"	9545-018-014	3
*	Lockwasher 1/4" Ext tooth	8641-582-007	3
*	Door Stud Pin, 3/16" x 3/4"	9451-181-004	1



Loading Door Parts Group

Key	Description	T-350	T-450	QTY
*	Complete Door Assembly (Includes #1-10)	9960-308-001	9960-309-001	1
1	Ring, Loading Door	9487-264-002	9487-265-002	1
2	Gasket, Loading Door	9206-411-002	9206-419-001	1
3	Window, Loading Door	9635-018-001	9635-016-001	1
*	Shaft Assembly (Includes #4-7)	9913-136-001	9913-136-001	1
4	Shaft, Door Locking	9537-195-002	9537-195-002	1
5	Cam, Locking	9095-051-001	9095-051-001	1
6	Pin, Groove (1 1/4)	9451-181-005	9451-181-005	1
7	Pin, Groove (3/4)	9451-181-004	9451-181-004	1
8	Spring, Lock Cam	9534-360-002	9534-360-002	1
9	Handle, Door	9244-091-001	9244-091-001	1
10	Pin, Groove (Door Handle)	9451-181-005	9451-181-005	1
11	Door Hinge Assembly (Mounts to Tub Front)	9955-030-001	9955-030-001	1
*	Shim, Thin (Loading Door Hinge)	9552-036-001	9552-036-001	3
*	Screw, 5/16x5/8	9545-014-009	9545-014-009	3
*	Lockwasher, 5/16	8641-582-009	8641-582-009	3
12	Leaf Assembly, Hinge-Top	9845-008-001	9845-008-001	1
13	Leaf Assembly, Hinge-Bottom	9845-005-002	9845-005-002	1
*	Screw, 5/16x5/8	9545-056-002	9545-056-002	3
14	Bumper, Loading Door	9051-055-001	9051-055-001	1
*	Nut, 1/4, 20UNC, 2B	8640-414-003	8640-414-003	1
15	Screw 5/16x5/8	9545-056-002	9545-056-002	3
16	Door Close Switch (Plunger)	9539-492-001	9539-492-001	1

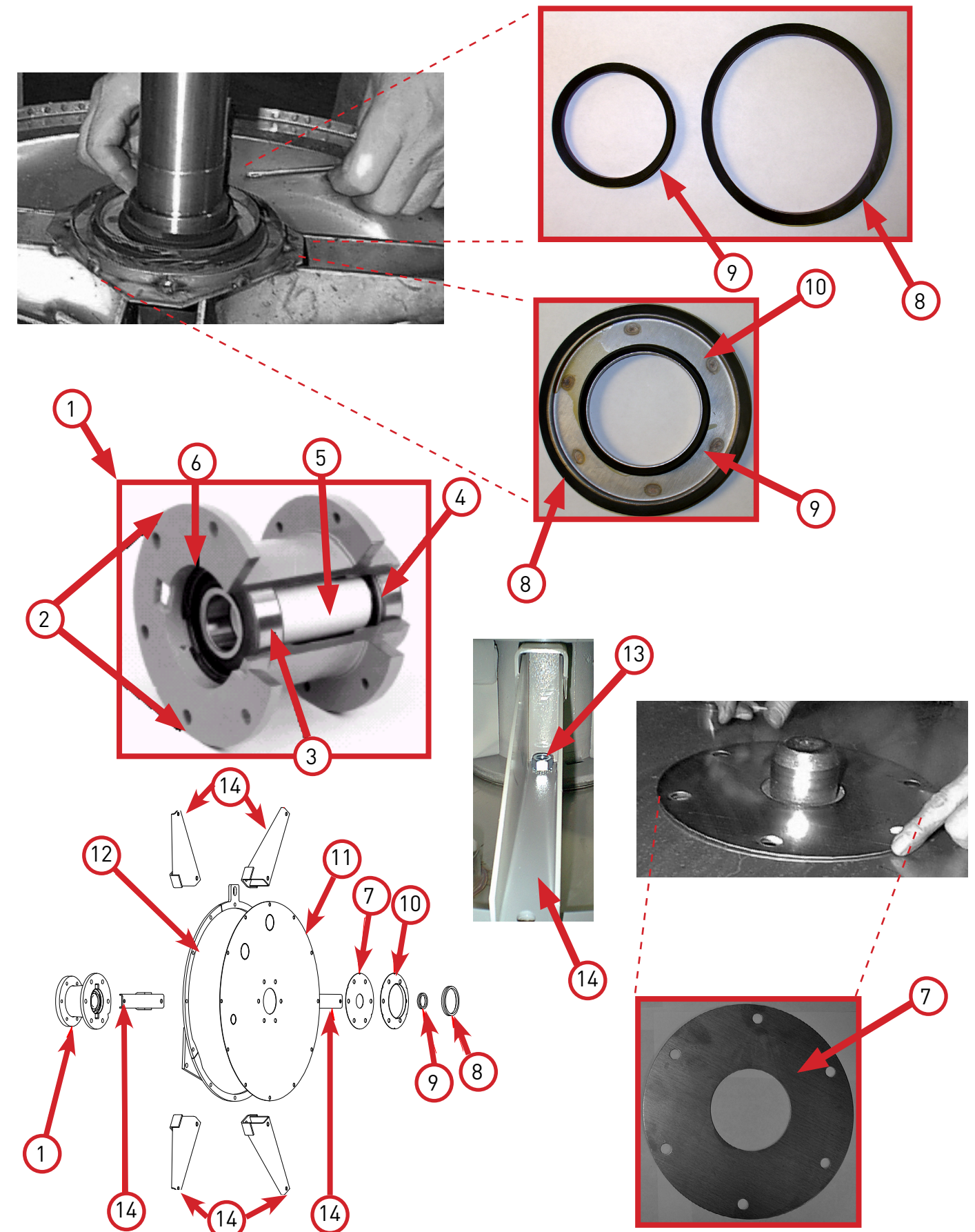
Loading Door Parts Group



Seals & Bearings Parts Group

Key	Description	T-350	T-450	QTY
*	Bearing & Seals Kit	9732-219-008	9732-219-005	1
1	Bearing Housing Assembly (Includes #2-6)	9803-179-003	9803-186-001	1
2	Housing, Bearing	9241-169-002	9241-180-002	1
3	Bearing, Front (LARGE)	9036-159-009	9036-159-005	1
4	Bearing, Rear (SMALL)	9036-159-008	9036-159-004	1
5	Spacer, Bearing	9538-158-001	9538-167-001	1
6	Ring, Bearing Retainer	9487-238-001	9487-238-003	1
7	Seal Mating Ring	9487-261-002	9487-261-003	1
8	Seal, Large	9532-140-009	9532-140-009	1
9	Seal, Small	9532-140-003	9532-140-006	1
10	Ring, Seal Mounting	9950-042-001	9950-048-001	1
11	Tub Back Assembly	9962-021-001	9962-013-002	1
*	Tubback Seal Ring	9487-290-001	9487-291-001	1
12	Tub Mounting Ring Assembly - Rear	9950-046-002	9950-056-002	1
13	Bolt, Tub End of Bearing Housing (1/2" x 1 1/4")	9545-017-009		6
13	Nut 1/2"	8640-417-005		6
13	Flat washer 1/2" (ext. tooth)	8641-581-034		6
13	Bolt 5/8-11x1 1/2" Tub end of bearing housing		9545-060-001	6
13	Washer-Flat, 5/8"		8641-581-040	6
13	Lockwasher 5/8"		8641-582-018	6
13	Nut 5/8"		8640-425-001	6
14	Support Arm Assy, Bearing Housing	9991-057-002	9991-056-002	6
*	Tub Alignment Spacer	9552-038-003	9552-038-003	
*	Bolt Pulley End of Bearing Housing (3/8" x 1 1/2")	9545-029-003		6
*	Nut, Flange Locking 3/8"	8640-415-004		6
*	Bolt Pulley end of bearing housing (7/16-14x2")		9545-059-002	6
*	Nut, Flange Locking 7/16"		8640-416-005	6
*	Cylinder Assembly	9848-164-001	9848-166-001	1
*	Tub and Cylinder Assembly	9869-039-001	9869-041-001	1

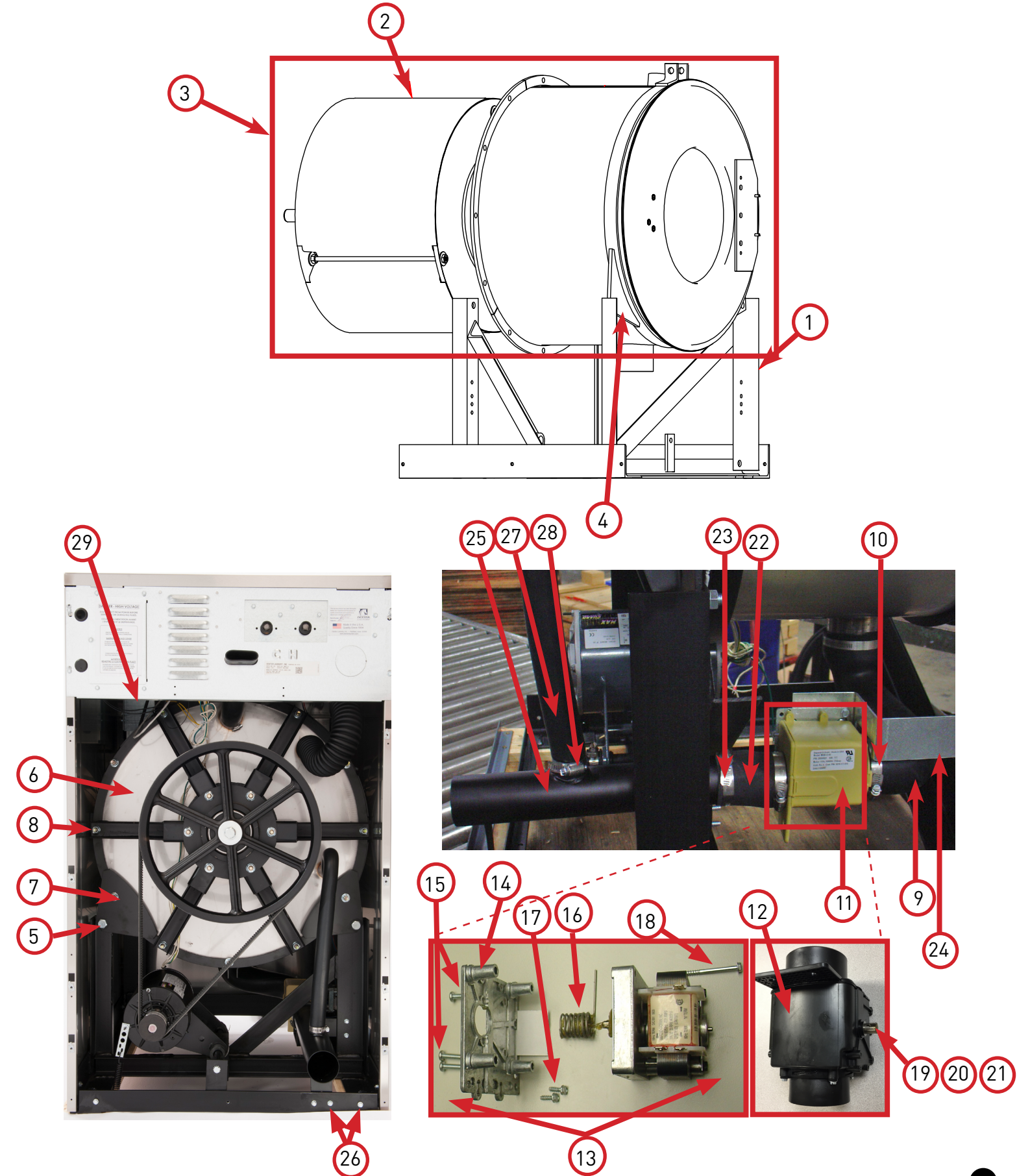
Cylinder, Seals, & Bearings Parts Group



Chassis & Drain Parts Group

Key	Description	T-350	T-450	QTY
1	Base Frame Assembly	9945-119-002	9945-141-002	1
2	Outer Tub Assembly	9930-175-002	9930-178-002	1
3	Tub & Cylinder Assembly	9869-039-001	9869-041-001	1
4	Ring Assembly, Tub Mtg-Front	9950-057-002	9950-051-004	1
5	Bolt, 1/2-13x1 1/4 (Ring to Base)	9545-017-009		4
5	Nut, Wizlock, 1/2-13 (Ring to Base)	8640-417-005		4
5	Bolt, 5/8-11x1 1/2 (Ring to Base)		9545-060-001	4
5	Nut, Wizlock, 5/8-11 (Ring to Base)		8640-425-001	4
*	Ring Assembly, Tub Mounting - Rear	9950-058-002	9950-049-002	1
6	Tub Back Assembly	9962-021-001	9962-023-001	1
7	Ring Assembly, Clamp Tub Mtg. - Rear	9950-046-002	9950-056-002	1
8	Bolt, 3/8-16x1 1/2	9545-029-003		12
8	Nut, Wizlock 3/8-16	8640-415-004		12
8	Bolt, 7/16-14 x 2		9545-059-002	12
8	Nut, Wizlock, 7/16-14		8640-416-005	12
8	Lockwasher		8641-582-018	4
8	Nut, Hex 5/8-11		8640-425-001	4
*	Shim, Support Assembly (Thin)	9552-038-003		AR
9	Hose, Tub to Drain Valve	9242-468-001	9242-456-001	1
10	Hose Clamp (Tub to Drain Valve)	8654-117-014	8654-117-014	2
11	Drain Valve (60Hz Only) (Includes #12-21)	9379-199-001	9379-202-001	1
11	Drain Valve (50Hz Only)	9379-199-002	9379-202-002	1
12	Body, Valve (w/ Ball)	9064-068-002	9064-072-001	1
13	Motor & Gear Train (Complete) (60Hz Only)	9914-137-020	9914-137-023	1
13	Motor & Gear Train (Complete) (50Hz Only)	9914-137-019	9914-137-022	1
14	Plate, Motor Mtg.		9452-538-001	1
15	Screw, Mtg.		8639-994-001	4
16	Spring, Drive	9534-340-001	9534-339-001	1
17	Screw		9545-054-001	2
18	Screw		9545-054-002	1
19	Seal, V Packer	9532-134-001	9532-134-001	1
20	Washer		8641-584-001	1
21	Pin, Main Drive	9451-196-001	9451-196-001	1
*	Plate (Spacers Needed for Replacing Motor Mtg. Plate)		9538-149-001	1
*	Kit, Seal Replacement		9732-327-001	1
22	Hose, Drain Valve to Tube	9242-451-002	9242-457-001	1
23	Hose Clamp (Drain Valve to Tube)	8654-117-014	8654-117-014	2
24	Bracket, Drain Valve	9029-005-001		1
*	Screw, Valve to Bracket 12ABx1/2	9545-008-026		2
25	Drain Tube Assembly	9915-125-002	9915-119-002	1
26	Screw (Drain Tube Bracket to Base) 1/4Bx3/4	9545-030-002	9545-030-002	2
27	Hose, Overflow Suds	9242-463-002	9242-463-003	1
28	Clamp, Overflow Hose	8654-117-008	8654-117-008	2
*	Fill Hose, Vacuum Breaker to Tub	9242-458-001	9242-458-002	1
29	Hose, Pressure Switch	9242-175-000	9242-175-007	1
*	Clamp, Pressure Switch Hose	8654-117-015	8654-117-015	1

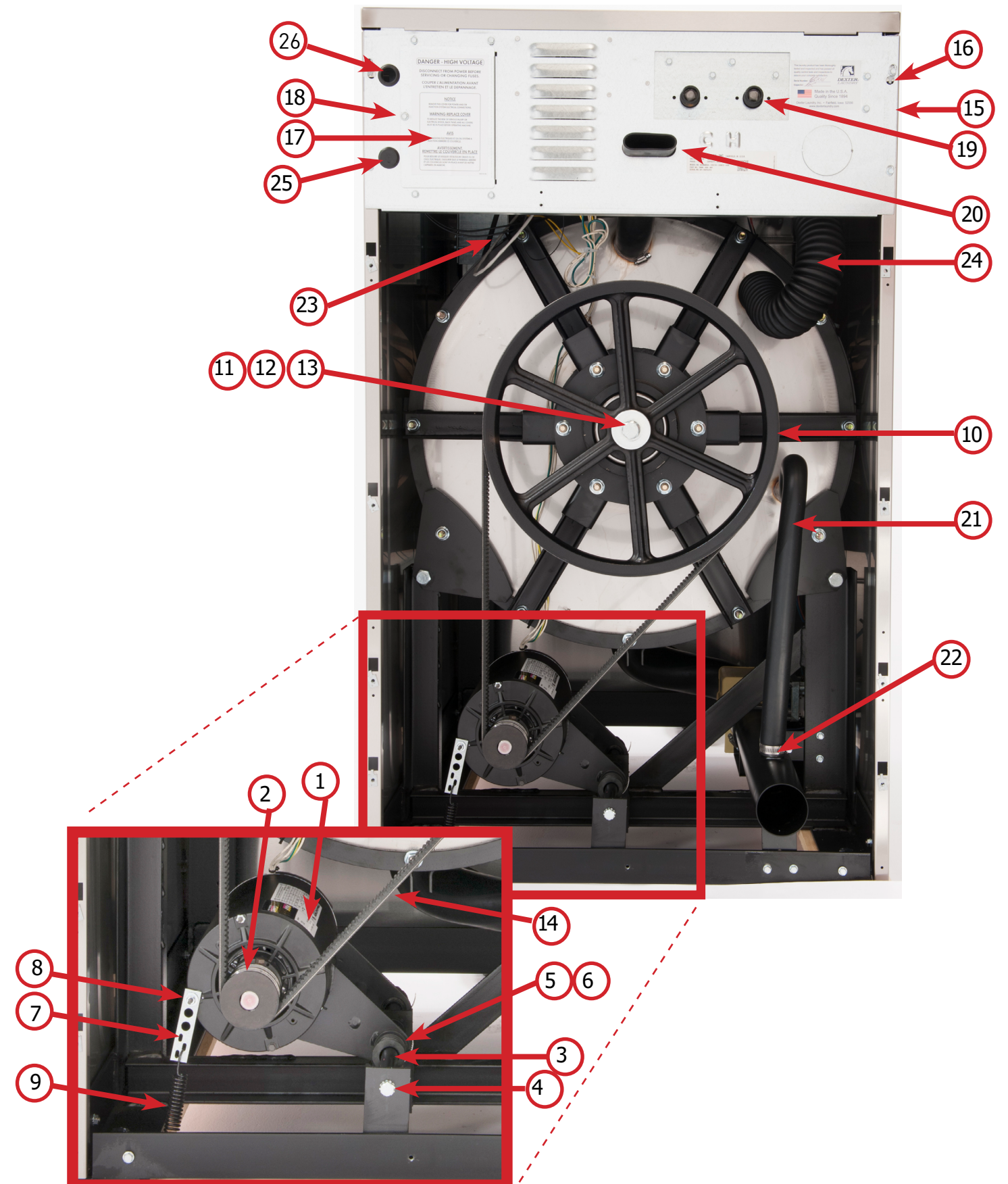
Chassis & Drain Parts Group



Rear View Parts Group

Key	Description	T-350	T-450	QTY
1	Drive Motor	9376-307-001	936-319-001	1
2	Motor Pulley	9453-180-001	9453-181-001	1
*	Set Screw, Sq. Hd. (Motor Pulley)	9545-028-015	9545-028-015	2
3	Rod, Motor Mtg.	9497-222-002	9497-222-002	1
4	Screw (End of Motor Rod)	9545-029-005	9545-029-005	1
*	Lockwasher (End of Motor Rod)	8641-582-014	8641-582-014	1
5	Motor Bushing (Rubber)	9053-082-001	9053-082-001	2
6	Clamp-Worm, 316SS, 1.5" (for Rubber Bushing)	8654-117-019	8654-117-019	2
7	Motor Tension Strap Bracket	9029-206-001	9026-206-001	1
8	10/32 UNF Nut, Strap to Motor	8640-413-002	8640-413-002	1
*	Washer #10	8641-581-006	8641-581-006	1
9	Belt Tension Spring	9534-319-002	9534-319-002	1
10	Driven Pulley	9453-168-005	9453-168-006	1
*	Tolerance Ring (Driven Pulley)	9487-234-001	9487-234-003	1
11	Screw (Driven Pulley)	9545-017-009	9545-060-001	1
12	Lockwasher	8641-582-016	8641-582-018	1
13	Flat Washer	8641-581-026	8641-581-032	1
14	Belt	9040-079-004	9040-079-005	1
15	Rear Channel	9947-025-001	9947-026-001	1
16	Rear Channel Mtg. Screw	9545-008-026	9545-008-026	4
*	Rear Channel Mtg, Spring Nut	8640-399-008	8640-399-008	4
17	Power Terminal Block Cover	9074-267-001	9074-267-001	1
18	Screw	9545-008-026	9545-008-026	1
19	Water Valve (Dual) (60Hz Only)	9379-183-012	9379-183-012	2
19	Water Valve (Dual) (50Hz Only)	9379-183-013	9379-183-013	2
20	Overflow Suds Hose	9242-463-002	9242-463-003	1
*	Overflow Suds Hose Clamp	8654-117-008	8654-117-008	2
21	Tub to Drain Hose	9242-449-002	9242-449-002	1
22	Tub to Drain Hose Clamp	8654-117-018	8654-117-018	2
23	Pressure Switch Hose	9242-175-000	9242-175-007	1
*	Pressure Switch Hose Clamp	8654-117-015	8654-117-015	1
24	Vacuum Breaker to Tub Hose	9242-458-001	9242-458-002	1
25	Plastic Plug 7/8" Electrical Connection	9456-041-006	9456-041-006	1
26	Bushing 7/8	9053-067-002	9053-067-002	1
*	Back Panel Assembly	9454-632-001		1
*	Upper Back Panel		9444-014-001	1
*	Lower Back Panel		9444-013-001	1
*	Panel Mtg. Screw #10x1/2"	9545-008-026	9545-008-026	10-12
*	Spring Nut	8640-399-004	8640-399-004	6
*	Screw, Panel to Base 1/4x3/4	9545-030-002	9545-030-002	3

Rear View Parts Group

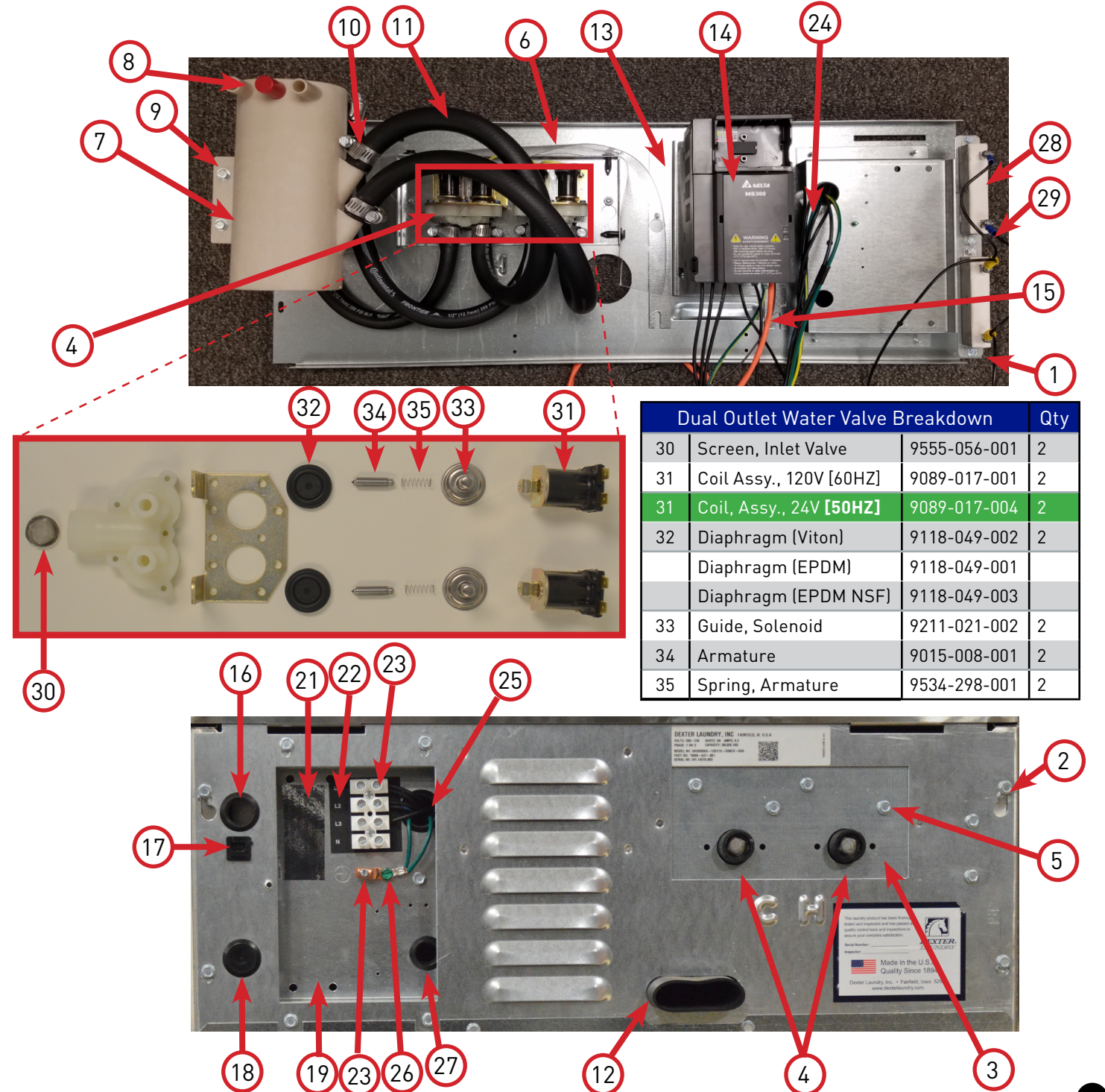


Water Inlet & Rear Channel Parts Group

Key	Description	T-350	T-450	QTY
1	Rear Channel	9947-025-001	9947-026-001	1
2	Screw, #10B x 1/2	9545-008-026	9545-008-026	4
*	Nut, Spring	8640-399-007	8640-399-007	4
3	Mounting Plate Water Valves	9452-813-001	9452-813-001	1
*	Nut-Elastic stop, #10-32	8640-413-002	8640-413-002	2
4	Valve, Water Inlet (dual outlet) [60HZ]	9379-183-012	9379-183-012	2
4	Valve, Water Inlet (Dual Outlet) 50HZ ONLY	9379-183-013	9379-183-013	2
5	Screw, Valve Mtg	9545-008-026	9545-008-026	4
*	Wire-Assy, Jumper, Yellow	8220-123-001	8220-123-001	1
6	Shield over Water Valves Plastic	9550-194-001	9550-194-001	1
*	Push Clip	9083-121-001	9083-121-001	2
7	Vacuum Breaker	9610-001-001	9610-001-001	1
*	Bracket, Vacuum Breaker	9029-266-001	9029-077-001	1
8	Vacuum Breaker Cap (Red)	0935-135-002	0935-135-002	*
9	Screw, #10B x 1/2	9545-008-026	9545-008-026	4
10	Clamp, Hose to Vacume Braker	8654-117-014	8654-117-014	1
*	Hose, Vacuum Breaker to Tub	9242-458-001	9242-458-002	1
*	Clamp, Tub End	8654-117-009	8654-117-009	1
11	Hose, Valve to Vac. Braker	9242-453-020	9242-453-020	4
*	Hose, Cold, Vac. Brkr. dispenser	9242-453-007	9242-453-016	1
*	Hose, Hot, Vac. Brkr. dispenser	9242-453-020	9242-453-017	1
*	Clamp, Hose-Worm	8654-117-015	8654-117-015	12
12	Hose, Overflow Suds	9242-463-003	9242-463-003	1
*	Clamp, Hose-Spring (overflow to tub back)	8654-117-018	8654-117-018	2
13	Plate Assembly, Drive Mounting	9452-847-001	9452-847-001	1
*	Nut-#10-32UNF, 2B	8640-413-002	8640-413-002	4
14	VFD Delta MS300	9375-034-030	9375-035-030	1
*	Key Pad-Display Delta MS300	9150-058-001	9150-058-001	1
15	Cable-Data, Communication	9806-023-003	9806-023-003	1
16	Bushing, 7/8	9053-067-002	9053-067-002	1
17	Clip Strain Relif	8618-037-001	8618-037-001	1
18	Plug, 7/8	9456-041-006	9456-041-006	1
19	Bracket, Terminal-Mounting	9029-326-001	9029-326-001	1
20	Screw, #10-32 TTX 1/2 GRN	9545-008-027	9545-008-027	1
21	Label-Warning	8502-639-001	8502-639-001	1
22	Strip-Terminal Marker	9558-025-001	9558-025-001	1
23	Terminal Block	9897-033-002	9897-033-002	1
*	Screw-Phillips, 6ABx3/4	9545-031-010	9545-031-010	2
24	Harness-Power, Terminal Block	9627-932-002	9627-932-002	1
24	Harness, Term Block, Non-Htd (50Hz Only)	9628-001-002	9628-001-002	1
25	Bushing, 1"	9053-067-004	9053-067-004	1
26	Terminal Lug, Solderless	8652-134-001	8652-134-001	1
*	Lock-Washer Extooth #10	8641-582-006	8641-582-006	1

Water Inlet & Rear Channel Parts Group

Key	Description	T-350	T-450	QTY
27	Bushing, 3/4	9053-067-001	9053-067-001	1
28	Braking resistors (200 ohm)		9483-004-002	2
*	Screw, #6-32x5/16		9545-044-006	4
29	Wire Assy, Jumper		8220-117-002	2
*	Nut, #6-32		8640-411-003	4
*	Control Covers	9074-267-001	9074-267-001	1
*	Screw-#10Bx1/2		9545-008-026	1

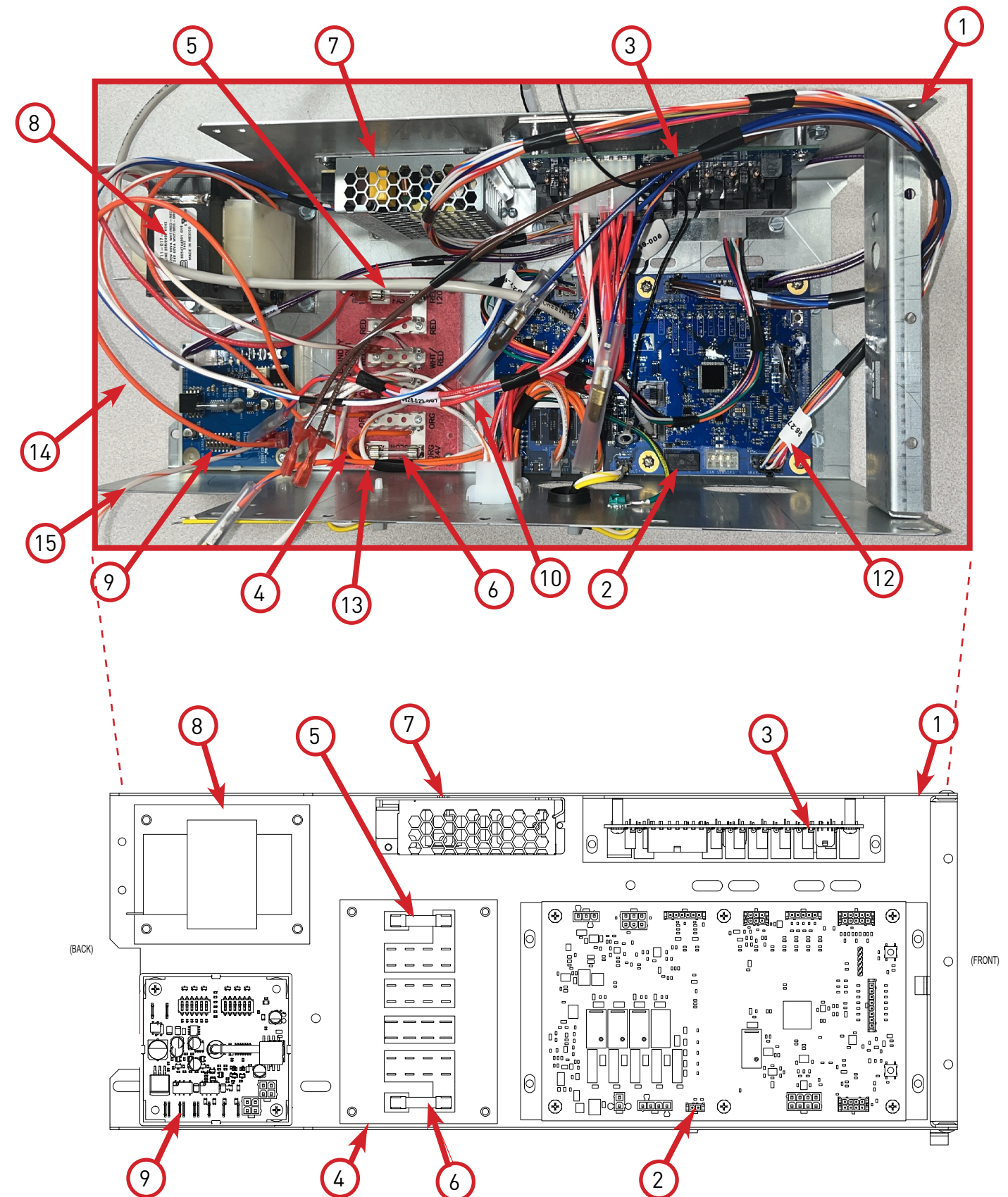


Dual Outlet Water Valve Breakdown		Qty	
30	Screen, Inlet Valve	9555-056-001	2
31	Coil Assy., 120V [60HZ]	9089-017-001	2
31	Coil, Assy., 24V [50HZ]	9089-017-004	2
32	Diaphragm (Viton)	9118-049-002	2
	Diaphragm (EPDM)	9118-049-001	
	Diaphragm (EPDM NSF)	9118-049-003	
33	Guide, Solenoid	9211-021-002	2
34	Armature	9015-008-001	2
35	Spring, Armature	9534-298-001	2

Electrical Components Parts Group

Key	Description	T-350	T-450	QTY
*	Complete Control Trough Assembly	9857-281-001	9857-282-001	1
1	Control Trough	9839-021-001	9839-021-001	1
2	Control PCB Board	9799-029-001P	9799-029-001P	1
3	Relay PCB Board	9799-030-001P	9799-030-001P	1
4	Pwr. Dist. Terminal Block Assembly	9897-044-001	9897-044-001	1
5	1.5 Amp Fuse	8636-018-001	8636-018-001	1
6	2.0 Amp Fuse	8636-018-005	8636-018-005	1
*	Screw-#8ABx1/2	9545-045-012	9545-045-012	4
7	Power Supply-12VDC	9150-054-001	9150-054-001	1
*	Screw-6Bx3/8	9545-031-005	9545-031-005	2
8	Control Transformer	8711-017-001	8711-017-001	1
*	Screw-#10Bx1/2	9545-008-026	8545-008-026	12
*	Lockwasher-Exttooth, #10	8641-582-006	8641-582-006	6
9	Water Pressure Sensor	9474-007-001	9474-007-001	1
*	WPS Support	9548-292-001	9548-292-001	1
10	Wiring Harness, Relay, 15-pin (60Hz Only)	9628-023-001	9628-023-001	1
10	Wiring Harness, Relay, 15-pin (50Hz Only)	9628-028-001	9628-028-001	1
11	Data Cable Assembly	9806-023-003	9806-023-003	1
12	Wiring Harness, Cntrol/Relay	9627-921-001	9627-921-001	1
13	Wiring Harness, Power Supply	9627-923-001	9627-923-001	1
14	Wire Assembly, ORG	8220-062-053	8220-062-052	1
15	Wire Assembly, WHT/ORG	8220-062-053	8220-062-053	1
*	Wiring Harness, Ctrl/Graphics	9627-922-002	9627-922-002	1
*	Wiring Harness, Door/E-Stop	9628-022-001	9628-022-001	1
*	Cable Clamp	8654-125-005	8654-125-005	1
*	Screw-8Bx1/4	9545-045-001	9545-045-001	1
*	Wiring Harness, WPS	9628-020-001	9628-020-001	1
*	Model ID Jumper Wire	8220-158-005	8220-158-011	1
*	Relay Jumper Wire Assembly	8220-159-006	8220-159-006	1
*	Screw-10-32TTx1/2GRN	9545-008-027	9545-008-027	2
*	Wiring Harness, VFD Enable	9628-021-001	9628-021-001	1

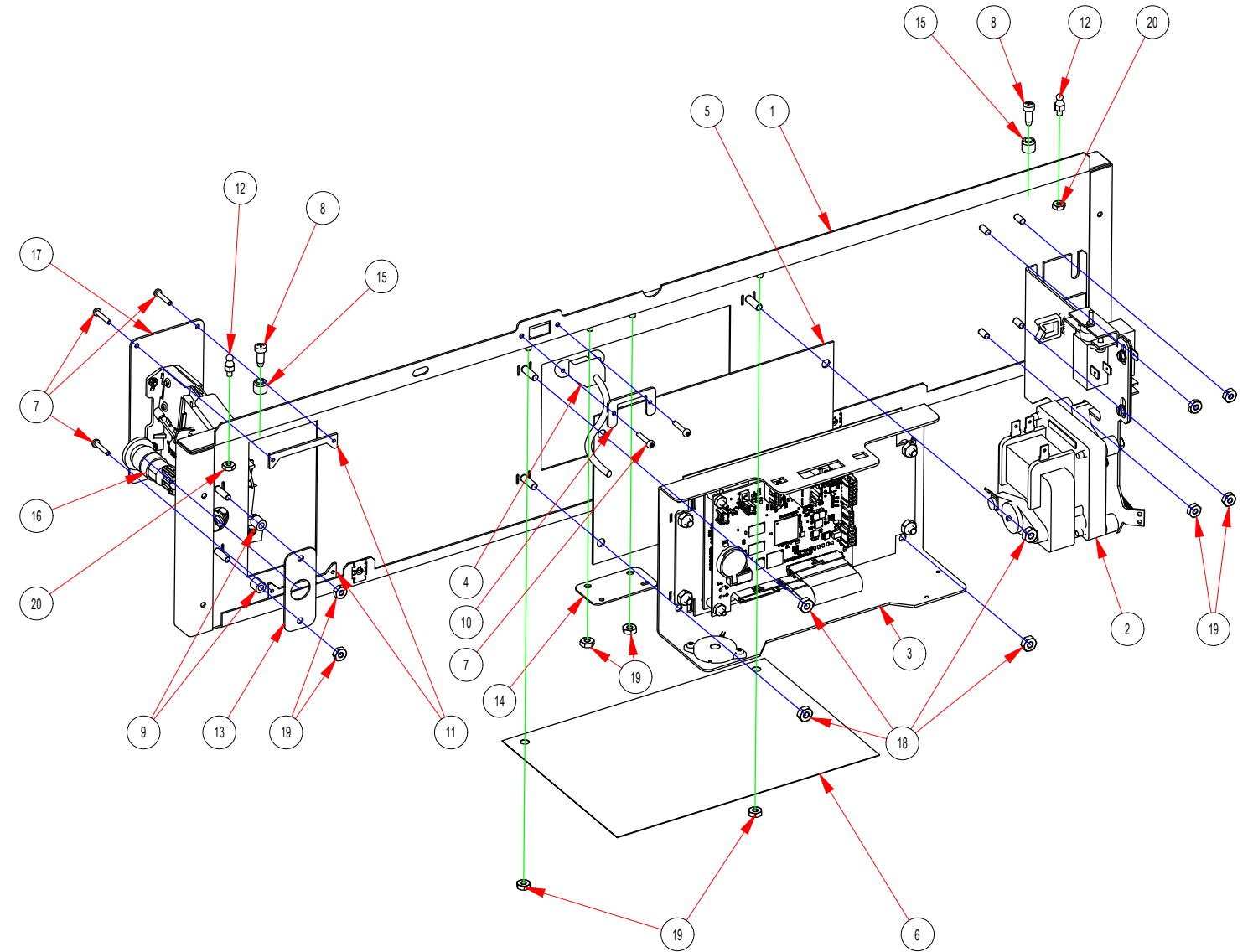
Electrical Components Parts Group



Control Panel Parts Group

Key	Description	T-350	T-450	QTY
*	Complete Control Panel Assembly	9989-674-011	9989-676-011	1
1	Control Panel	9989-719-001	9989-720-001	1
2	Door Locking Actuator Assembly (60Hz Only)	9892-015-003P	9892-015-003P	1
2	Door Lock Actuator Assembly (50Hz Only)	9892-015-002P	9892-015-002P	1
3	Display Control Board Assembly	9857-288-003	9857-289-003	1
4	USB Cable Assembly	9806-022-001	9806-022-001	1
5	Display Protector Window	9635-024-001	9635-025-001	1
6	PCB Plastic Shield	9550-201-001	9550-201-001	1
7	Screw-PNHDTORX, 4Bx5/8,CHR	9545-053-002P	9545-053-002P	6
8	Screw-FIHDCR,#10Bx5/16	9545-008-023P	9545-008-023P	2
9	Spacer, Plastic, #8x5/16	9538-157-020P	9538-157-020P	2
10	Retainer, USB	9486-159-001	9486-159-001	1
11	Retainer, Dual Coin Acceptor	9486-149-001P	9486-149-001P	2
12	Post, Top Locator	9467-024-001	9467-024-001	2
13	Plate, Stop Button Mounting	9452-725-001	9452-725-001	1
14	Plate, Top Latch	9452-625-001	9452-625-001	1
15	Locator, Panel	9355-001-001	9355-001-001	2
16	Button, E-Stop w/o Latching	9035-061-001	9035-061-001	1
17	Programmable Coin Acceptor	9021-099-001	9021-099-001	1
18	Nut-HEXKEPS, 10-32	8640-413-002P	8640-413-002P	4
19	Nut-NEXKEPS,#8-32	8640-412-005P	8640-412-005P	10
20	Nut, HEXKEPS,#6-32	8640-411-003P	8640-411-003P	2
21	Nameplate, Blue	9412-264-002	9412-265-002	1
21	Nameplate, Black	9412-264-01	9412-265-001	1
*	Label, Namplate - Stop, Blue	8502-789-002		1
*	Label, Namplate - Stop, Black	8502-789-001		1

Control Panel Parts Group



Accessories for X-Series Vended Large Chassis Express Washers

WC0650__-__T__

WC0950__-__T__

WC1450__-__T__

Description	T-650	T-950	T-1450	QTY
Hose, Water Supply 3/8" I.D. x 48"	9990-027-011	9990-027-011	9999-027-011	2
Hose, Water Supply 5/8" I.D. x 48"		9990-027-013	9990-027-013	2
Washer, Inlet Hose (furnished)	8641-242-000	8641-242-000	8641-242-000	2
Strainer, Inlet Hose (furnished)	9565-003-001	9565-003-001	9565-003-001	2
Bevel Washer for 3/4" bolt used in installations using angle iron bases	8641-586-003	8641-586-003	8641-586-003	4
Sealing compound	8538-151-001	8538-151-001	8538-151-001	1
TORX#20	8545-051-002	8545-051-002	8545-051-003	1
Special Tool For Removing Coin Acceptor Mounting Screws. (T-10 Torx)	8545-051-003	8545-051-003	8545-051-003	1
Flow Restrictors (in dispenser)	9475-002-002	9475-002-002	9475-002-002	2
Special Tool for adjusting spacing between outer tub front and cylinder front	8545-056-001	8545-056-001	8545-056-001	1
Clamps to hold tub front to outer tub when installing tub front	Vise Grip #11R	Vise Grip #11R	Vise Grip #11R	1
Coin Bearing & Seal Kit	9732-219-007	9732-219-007	9732-219-009	1
Key Service Lock (6324)	6292-006-007	6292-006-007	6292-006-007	1
MS300 Display	9150-058-001	9150-058-001	9150-058-001	1
Plastic Plug 1 1/2"-(inside cylinder)	9456-041-007			1



DEXTER
LAUNDRY



Section 2: Touch Series Vended Large Chassis Washers Express (200G) Parts Data

Kits, Assemblies, and Common Parts

Coin Acceptor Components	Part Number
Programmable Coin Acceptor	9021-099-001
Retainer, Coin Acceptor	9486-149-001
Coin Drop Screws	9545-053-002
Loading Door & Door Lock Components	Part Number
Door Glass Gasket (Standard Door)	9206-419-001
Door Glass Gasket (Small Door)	9206-411-002
Kit - Door Gasket Expander Kit (Small)	9732-139-001
Kit - Door Gasket Expander Kit (Large)	9732-139-002
Door Handle Only (Large)	9244-091-001
Door Close Switch	9539-492-001
Door Lock Gear Motor Assembly (60Hz Only)	9892-015-003
Door Lock Gear Motor Assembly 24V (50Hz Only)	9892-015-002
Door Latching Assembly	9885-031-001P
Electrical Components	Part Number
Transformer, Control (60Hz Only)	8711-017-001
Transformer, Control (50Hz Only)	8711-004-004
Main Control Board	9799-029-001P
Water Pressure Sensor	9474-007-001
VFD & Breaking Resistors Components	Part Number
Breaking Resistor 200 Ohms	9483-004-002
Data Cable	9806-023-003
MS 300 VFD Display	9150-058-001
Drain & Water Valve Components	Part Number
Kit - 3" Drain Valve Seal Replacement	9732-327-001
Drain Valve 3" (T-450) (60Hz Only)	9379-202-001
Drain Valve 3" 24V (T-450) (50Hz Only)	9379-202-002
Water Valve (Dual) (60Hz Only)	9379-183-012
Water Valve (Dual) (50Hz Only)	9379-183-013
Diaphragm (Dual)	9118-049-003
Water Valve (Single) (60Hz Only)	9379-194-001
Water Valve (Single) (50Hz Only)	9379-193-001
Diaphragm (Single)	9118-055-001
Cabinet Components	Part Number
Front Panel Screw	9545-008-014
Front Panel Finisher Washer	8641-585-001
Front Panel Spring Nut	8640-442-001
5/16 Hex Screw, Common	9545-008-026
Top Lock Key #6324	6292-006-007
Cylinder Plug (1.5" Plastic)	9456-041-007

Wiring Harnesses

Description	T-650	T-950	T-1450	QTY
Wiring Harness, Coin Vault Switch	9628-025-001	9628-025-001	9628-025-001	1
Wiring Harness, Door Lock	9627-936-003	9627-936-001	9627-936-004	1
Wire Assembly, WHT/RED, Water Valve	8220-123-002	8220-119-003	8220-119-003	1
Data Cable Assembly	9806-023-004	9806-023-005	9806-023-005	1
Wiring Harness, Ctrl/Graphics	9627-922-002	9627-922-002	9627-922-002	1
Wiring Harness, Relay, 15-pin	9628-023-001	9628-023-001	9628-023-001	1
Model ID Jumper Wire	8220-158-017	8220-158-025	8220-158-029	1
Wiring Harness, Door/E-Stop	9628-022-001	9628-022-001	9628-022-001	1
Wiring Harness, Control/Relay	9627-921-001	9627-921-001	9627-921-001	1
Relay Jumper Wire	8220-159-006	8220-159-006	8220-159-006	1
Wiring Harness, WPS	9628-020-001	9628-020-001	9628-020-001	1
Wire Assembly, ORG	8220-062-052	8220-062-052	8220-062-052	1
Wire Assembly, WHT/ORG	8220-062-053	8220-062-053	8220-062-053	1
Wiring Harness, Power Supply	9627-923-001	9627-923-001	9627-923-001	1
Wiring Harness, VFD Enable	9628-021-001	9628-021-001	9628-021-001	1
Wiring Harness, 15-pin, Non-Inj	9627-934-001	9627-934-001	9627-934-001	1
Wiring Harness, Payment, Programmable Acpt	9628-024-002	9628-024-002	9628-024-001	1
USB Cable Assembly	9806-022-001	9806-022-001	9806-022-001	1
Wiring Harness, Pwr Term. Block	9627-932-001	9627-932-001	9627-932-001	1
Wiring Label, Diagram/Informative	9507-087-001	9507-089-001	9507-090-001	1
Wiring Label, Schematic	9508-087-001	9508-089-001	9508-090-001	1
Black Wire Assembly, Braking Resistors	8220-117-002	8220-117-002	8220-117-002	2
Blue Wire Assembly - Door Switch	8220-063-051	8220-063-051	8220-063-051	1
Blue/Wht Wire Assembly - Door Switch	8220-063-052	8220-063-052	8220-063-052	1

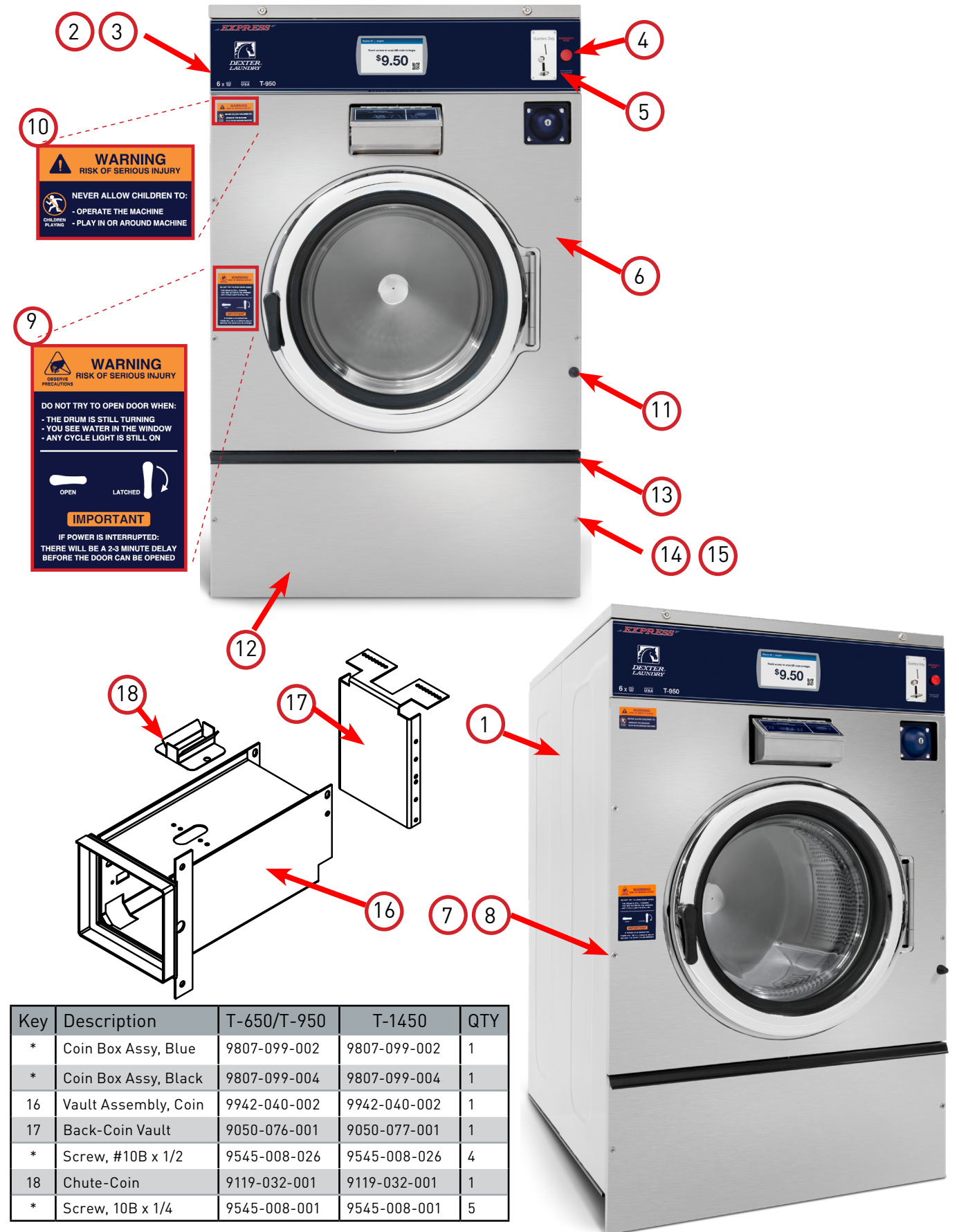
50Hz Wiring Harnesses Only

Description	T-650	T-950	T-1450	QTY
Wiring Harness, Pwr Term Block, Non-Htd	9628-001-001	9628-001-001	9628-001-001	1
Wiring Harness, 15-pin, Valves	9628-004-001	9628-004-001	9628-004-001	1
Wiring Harness, Relay, 15-pin	9628-028-001	9628-028-001	9628-028-001	1
Wiring Harness, Payment, Programmable Acpt	9628-024-001	9628-024-001	9628-024-001	1
Jumper Wire Assembly, WHT/ORG, Water Valve	8220-123-003	8220-119-004	8220-119-004	1
Wiring Label, Diagram	9507-100-001	9507-102-001	9507-103-001	1
Wiring Label, Schematic	9508-100-001	9508-102-001	9508-103-001	1

Cabinet & Front Panel Parts Group

Key	Description	T-650	T-950	T-1450	QTY
1	Panel, Right Side-stainless	9989-644-001	9989-646-001	9989-648-001	1
*	Panel, Left Side - stainless	9989-644-002	9989-646-002	9989-648-002	1
*	Screw	9545-018-013	9545-018-013	9545-018-013	4
*	Nut, Hex 1/4-20 UNC	8640-414-006	8640-414-006	8640-414-006	8
*	Bracket, Side Panel under front panel	9046-094-001	9046-085-001	9046-085-001	1
*	Screw, #10B x 1/2	9545-008-026	9545-008-026	9545-008-026	1
2	Panel, Control (Mounts Nameplate)	9989-721-001	9989-722-001	9989-723-001	1
*	Screw, Control Panel to Sides	9545-008-026	9545-008-026	9545-008-026	4
3	Nameplate Decal, Control Panel (Blue)	9412-266-002	9412-268-002	9412-269-002	1
3	Nameplate Decal, Control Panel (Black)	9412-266-001	9412-268-001	9412-269-001	1
*	Stop Button Mounting Plate	9452-725-001	9452-725-001	9452-725-001	1
4	Emergency Stop Button	9035-061-001	9035-061-001	9035-061-001	1
*	Emergency Stop Switch	9539-496-001	9539-496-001	9539-496-001	1
5	Acceptor, Coin-Programmable	9021-099-001	9021-099-001	9021-099-001	1
*	Retainer-Dual coin Acceptor	9486-149-001	9486-149-001	9486-149-001	2
*	Screws, Coin Acceptor	9545-053-002	9545-053-002	9545-053-002	4
6	Front Panel	9454-913-001	9444-048-001	9444-054-001	1
*	Nut, Hex (to tub front)	8640-414-003	8640-414-003	8640-414-003	1
*	Door Close Switch	9539-492-001	9539-492-001	9539-492-001	1
*	Screw, Hex- To Control Panel	9545-008-026	9545-008-026	9545-008-026	2
*	Nut, Expansion- To Control Panel	8640-442-001	8640-442-001	8640-442-001	2
7	Screw, Flat Head- Front to Sides	9545-008-026	9545-008-026	9545-008-026	4
8	Washer, Finish	8641-585-001	8641-585-001	8641-585-001	4
*	Nut, Expansion-To Front Panel	8640-442-001	8640-442-001	8640-442-001	4
9	Label, Door Opening-Blue	8502-757-002	8502-757-002	8502-757-002	1
9	Label, Door Opening-Black	8502-757-001	8502-757-001	8502-757-001	1
10	Label, Warning Risk of Injury-Blue	8502-759-002	8502-759-002	8502-759-002	1
10	Label, Warning Risk of Injury-Black	8502-759-001	8502-759-001	8502-759-001	1
11	Bumper-Loading door	9051-055-001	9051-055-001	9051-055-001	1
*	Nut, 1/4-20 UNC, 2B	8640-414-003	8640-414-003	8640-414-003	1
12	Door, Lower Service (includes handle & Rivits)	9960-286-002	9960-286-004	9960-286-005	1
13	Handle (bumper guard)	9244-086-002	9244-086-003	9244-086-004	1
*	Rivet	9491-009-003	9491-009-003	9491-009-003	4
14	Screw Mtg., Flat Head	9545-008-014	9545-008-014	9545-008-014	2
15	Washer, Finish	8641-585-001	8641-585-001	8641-585-001	2
*	Nut, Expansion	8640-442-001	8640-442-001	8640-442-001	2

Cabinet & Front Panel Parts Group

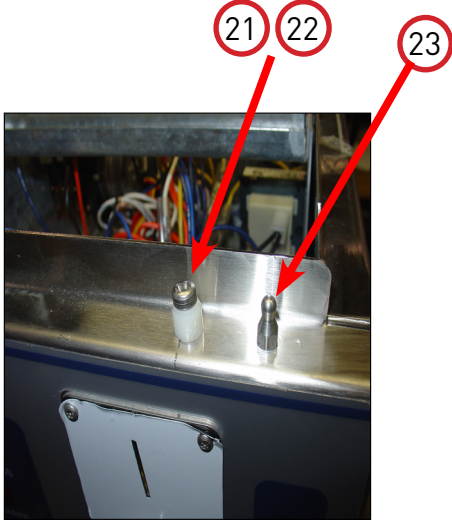


Key	Description	T-650/T-950	T-1450	QTY
*	Coin Box Assy, Blue	9807-099-002	9807-099-002	1
*	Coin Box Assy, Black	9807-099-004	9807-099-004	1
16	Vault Assembly, Coin	9942-040-002	9942-040-002	1
17	Back-Coin Vault	9050-076-001	9050-077-001	1
*	Screw, #10B x 1/2	9545-008-026	9545-008-026	4
18	Chute-Coin	9119-032-001	9119-032-001	1
*	Screw, 10B x 1/4	9545-008-001	9545-008-001	5

Cabinet & Front Panel Parts Group Continued

Key	Description	T-650	T-950	T-1450	QTY
19	Panel Top, Assembly (includes catch)	9989-563-006	9989-659-001		1
20	Lock, Top (w/Key)	8650-012-003	8650-012-003	8650-012-003	1
*	Lock Spacer	9538-189-001	9538-189-001	9538-189-001	*
*	Key, Top- # 6324	6292-006-007	6292-006-007	6292-006-007	1
*	Cam, Lock-Top	9095-049-001	9095-049-001	9095-049-001	1
*	Nut, 9/32 - 28 Hex	8640-426-001	8640-426-001	8640-426-001	1
*	Washer Flat 5/16	8641-581-008	8641-581-008	8641-581-008	1
21	Screw, Locator	9545-008-023	9545-008-023	9545-008-023	1
22	Plastic Sleeve, Locator	9355-001-001	9355-001-001	9355-001-001	2
23	Locator Post	9467-024-001	9467-024-001	9467-024-001	2
*	Nut, Locator Post	8640-411-003	8640-411-003	8640-411-003	2
24	Complete Soap Box Assembly with Lid	9807-103-001	9807-103-001	9807-103-001	1
*	Soap Box Gasket	9206-425-001	9206-425-001	9206-425-001	1
*	Soap Box Lid Assembly	9987-104-001	9987-104-001	9987-104-001	1
*	Soap Box Screws	9545-012-017	9545-012-017	9545-012-017	2
*	Soap Boc Softener Tube	9574-252-002	9574-252-002	9574-252-002	1
*	Nut-Hex, #10-32	8640-413-004	8640-413-004	8640-413-004	6
*	Spacer-Plastic	9538-157-026	9538-157-026	9538-157-026	6
*	Soap Box Mounting Bracket	9029-122-002	9029-122-002	9029-122-002	1
*	Flow Restrictor	9475-002-003	9475-002-003	9475-002-003	1
*	Hose Clamp, 1in	8654-117-015	8654-117-015	8654-117-015	2
*	Clamp-Hose	8654-117-017	8654-117-017	8654-117-017	2

Cabinet & Front Panel Parts Group Continued

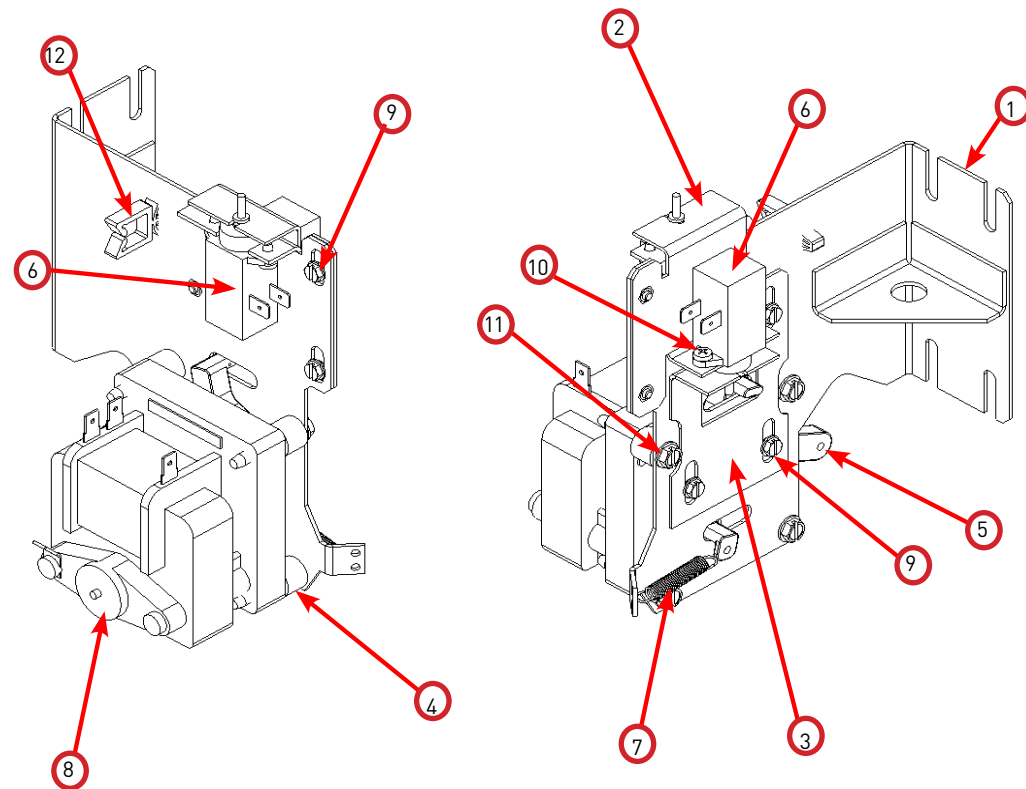


Door Lock Gear Motor Parts Group

Key	Description	T-650	T-950	T-1450	QTY
*	Actuator Assembly (Includes 1-12, Rod NOT included) (60Hz Only)	9892-015-003	9892-015-003	9892-015-003	1
1	Bracket Assy, Slide Lock Actuator	9985-190-001	9985-190-001	9985-190-001	1
2	Bracket Assy, Slide - Unlock	9985-189-001	9985-189-001	9985-189-001	1
3	Bracket Slide Lock	9029-204-001	9029-204-001	9029-204-001	1
4	Spacer, Plastic	9538-157-021	9538-157-021	9538-157-021	4
5	Arm - Door Lock	9001-063-001	9001-063-001	9001-063-001	1
6	Thermoactuator-Door Lock Rel 120v (60Hz Only)	9586-001-003	9586-001-003	9586-001-003	2
7	Spring - Extension	9534-350-001	9534-350-001	9534-350-001	1
8	Motor & Gear Assembly 120v (60Hz Only)	9914-137-015	9914-137-015	9914-137-015	1
9	Screw -Hxwshrdslsems, 6-32 x 3/16	9545-044-003	9545-044-003	9545-044-003	6
10	Cross Recessed PAN Hd Tapping screw	9545-031-011	9545-031-011	9545-031-011	4
11	Screw - hxwshdsl, 10-24 - 1.25f, ctd (60Hz)	9545-046-007	9545-046-007	9545-046-007	4
12	Standoff-Wire	9527-007-001	9527-007-001	9527-007-001	1
*	Rod, Door Lock	9497-225-011	9497-225-011	9497-225-011	1
*	Harness, Door Lock	9627-936-002	9627-936-002	9627-936-002	1

50Hz Door Lock Gear Motor Parts Group Only

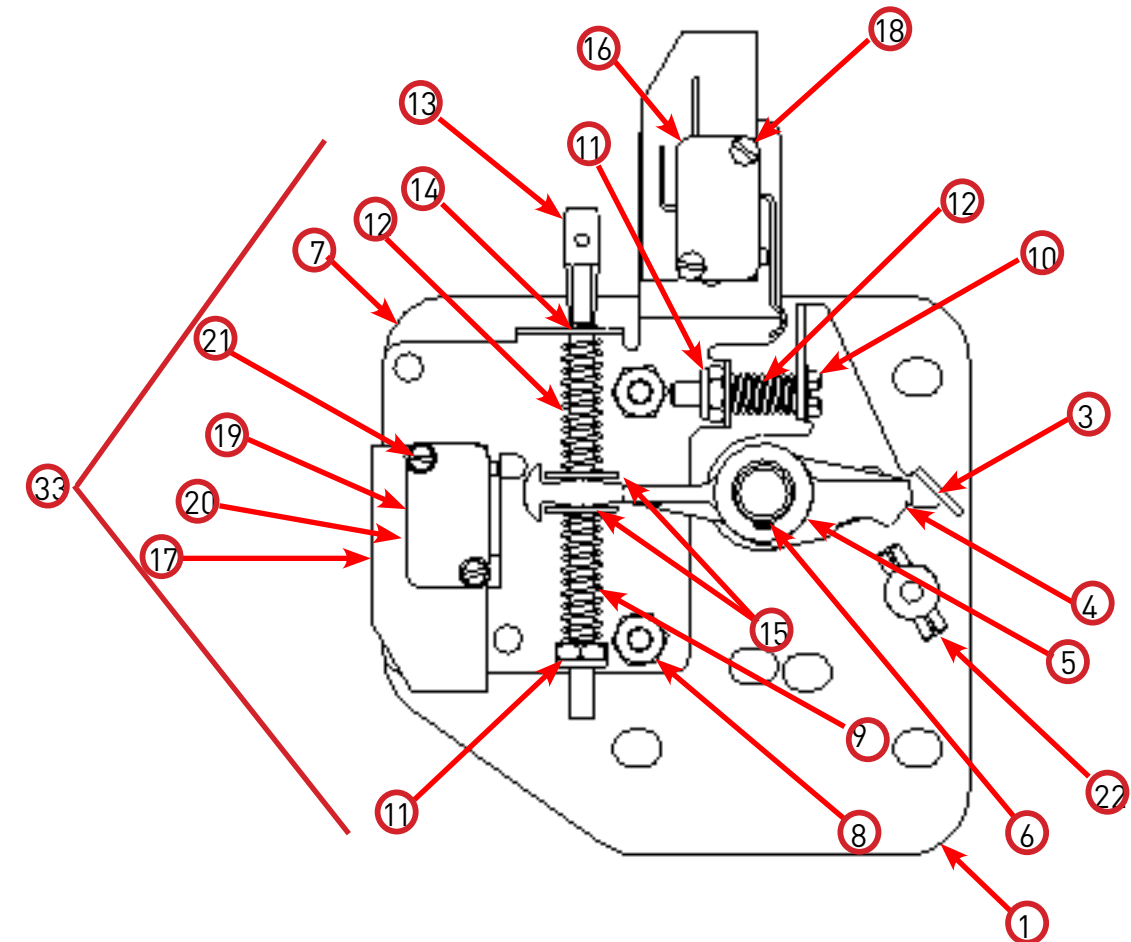
Key	Description	T-650	T-950	T-1450	QTY
*	Actuator Assembly (Rod NOT included)	9892-015-002	9892-015-002	9892-015-002	1
6	Thermoactuator-Door Lock Relay 24V	9586-001-003	9586-001-003	9586-001-003	2
8	Motor & Gear Assembly 24V	9914-137-014	9914-137-014	9914-137-014	1
11	Screw Pnhdcr, 10-32 UNFx0.75	9545-012-027	9545-012-027	9545-012-027	4



Door Lock Latching Assembly Parts Group

Key	Description	All Models	QTY
33	Latching Assy, Complete (includes #1 thru #22)	9885-031-001	1
1	Plate Assy, Door Lock	9982-346-001	1
2	Washer, Flat (SS or Brass)	8641-581-030	1
3	Actuator, Latching Switch	9008-005-001	1
4	Pawl, Locking	9732-346-002	1
5	Washer, Spring	8641-569-003	1
6	Ring, Retaining	9487-200-004	1
7	Bracket Switch	9029-163-001	1
8	Nut, Hex 10-32 UNF	8640-413-002	2
9	Spring, Actuating	9534-364-002	1
10	Screw, Hx. 10-32 x 1"	9545-012-020	1
11	Nut, Elastic Stop 10-32	8640-413-004	2
12	Spring, Return	9534-364-001	2
13	Pin, Guide	9451-193-001	1

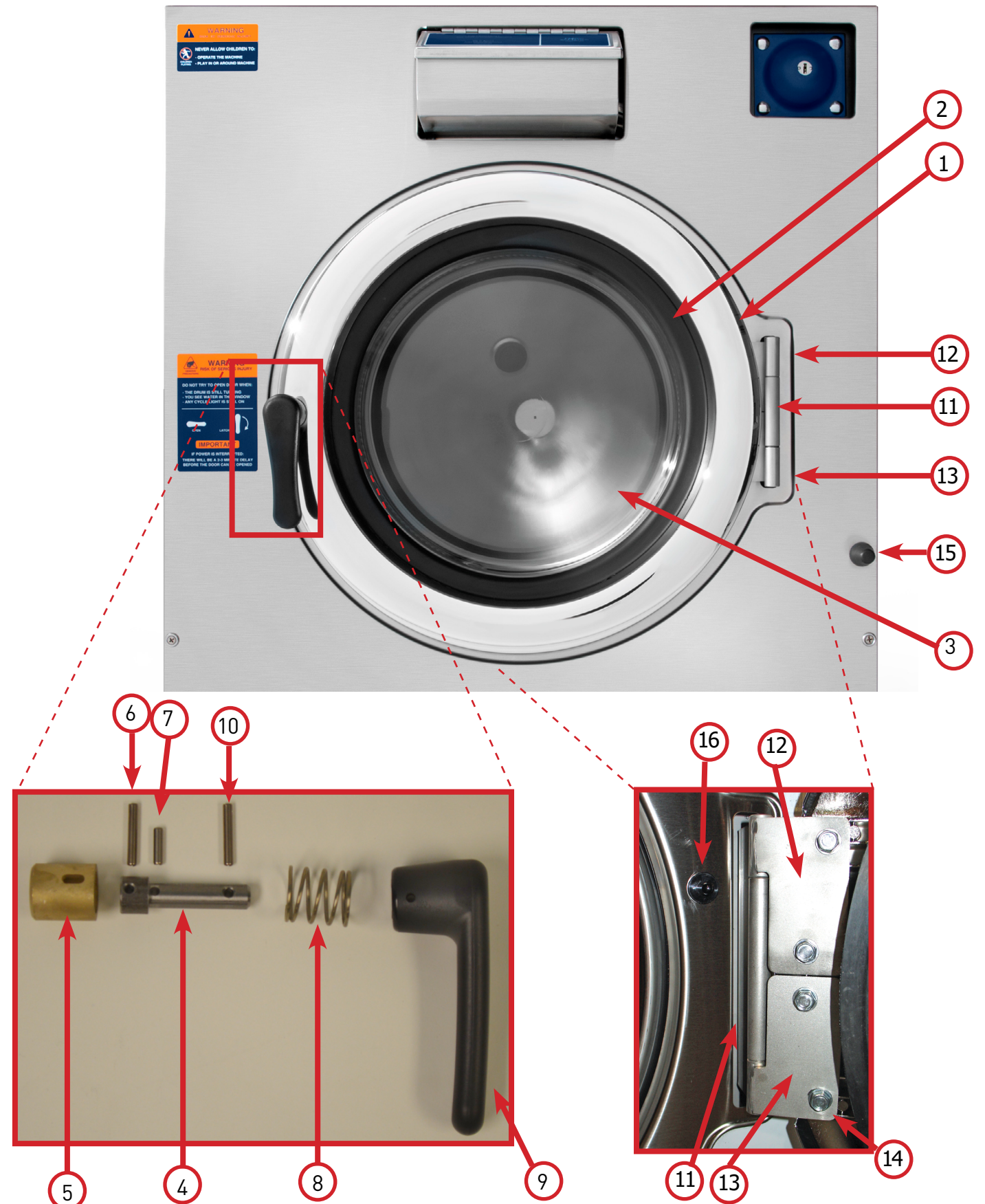
Key	Description	All Models	QTY
14	Ring, Retaining	9487-200-005	1
15	Washer	8641-581-031	1
16	Switch, Latching Sensing	9539-461-008	1
17	Shield, Switch	9550-169-003	3
18	Screw 4-40 x 5/8"	9545-020-001	2
18	Nut, Twin 4-40	8640-401-001	1
19	Switch, Locking Sensing	9539-461-007	2
20	Actuator, Switch Locking	9008-006-003	1
21	Screw 4-40 x 1 1/8"	9545-020-003	2
21	Nut, Twin 4-40	8640-401-001	1
*	Spacer Sensor	9538-182-001	*
22	Pin, Dowel (for door cam)	9451-181-004	1
*	Shim, Door Lock, Thin	9552-037-001	AR
*	Screw, Lock mtg 1/4"-20 x 3/4"	9545-018-014	3
*	Lockwasher 1/4" Ext tooth	8641-582-007	3
*	Door Stud Pin, 3/16" x 3/4"	9451-181-004	1



Loading Door Parts Group

Key	Description	T-650	T-950	T-1450	QTY
*	Complete Door Assembly (Includes #1-10)	9960-309-001	9960-310-001	9960-310-001	1
1	Ring, Loading Door	9487-265-002	9487-275-001	9487-275-001	1
2	Gasket, Loading Door	9206-419-001	9206-431-001	9206-431-001	1
3	Window, Loading Door	9635-016-001	9635-020-001	9635-020-001	1
*	Shaft Assembly (Includes #4-7)	9913-136-001	9913-136-001	9913-136-001	1
4	Shaft, Door Locking	9537-195-002	9537-195-002	9537-195-002	1
5	Cam, Locking	9095-051-001	9095-051-001	9095-051-001	1
6	Pin, Groove (1 1/4)	9451-181-005	9451-181-005	9451-181-005	1
7	Pin, Groove (3/4)	9451-181-004	9451-181-004	9451-181-004	1
8	Spring, Lock Cam	9534-360-002	9534-360-002	9534-360-002	1
9	Handle, Door	9244-091-001	9244-091-001	9244-091-001	1
10	Pin, Groove (Door Handle)	9451-181-005	9451-181-005	9451-181-005	1
11	Door Hinge Assembly (Mounts to Tub Front)	9950-030-001	9955-031-001	9955-031-001	1
*	Shim, Thin (Loading Door Hinge)	9552-036-001	9552-043-001	9552-043-001	3
*	Screw, Loading Door Hinge Mtg (5/16" x9/16" ss)	9545-014-009	9545-014-009	9545-014-009	3
*	Lockwasher, 5/16	8641-582-009	8641-582-009	8641-582-009	3
12	Leaf Assembly, Hinge-Top	9845-008-001	9845-006-001	9845-006-001	1
13	Leaf Assembly, Hinge-Bottom	9845-005-002	9845-007-001	9845-007-001	1
14	Thrd Form Screw, Door Mtg 5/16" x 5/8"	9545-056-002	9545-056-002	9545-056-002	4
15	Bumper, Loading Door	9051-055-001	9051-055-001	9051-055-001	1
16	Door Close Switch (Plunger)	9539-492-001	9569-492-001	9539-492-001	1

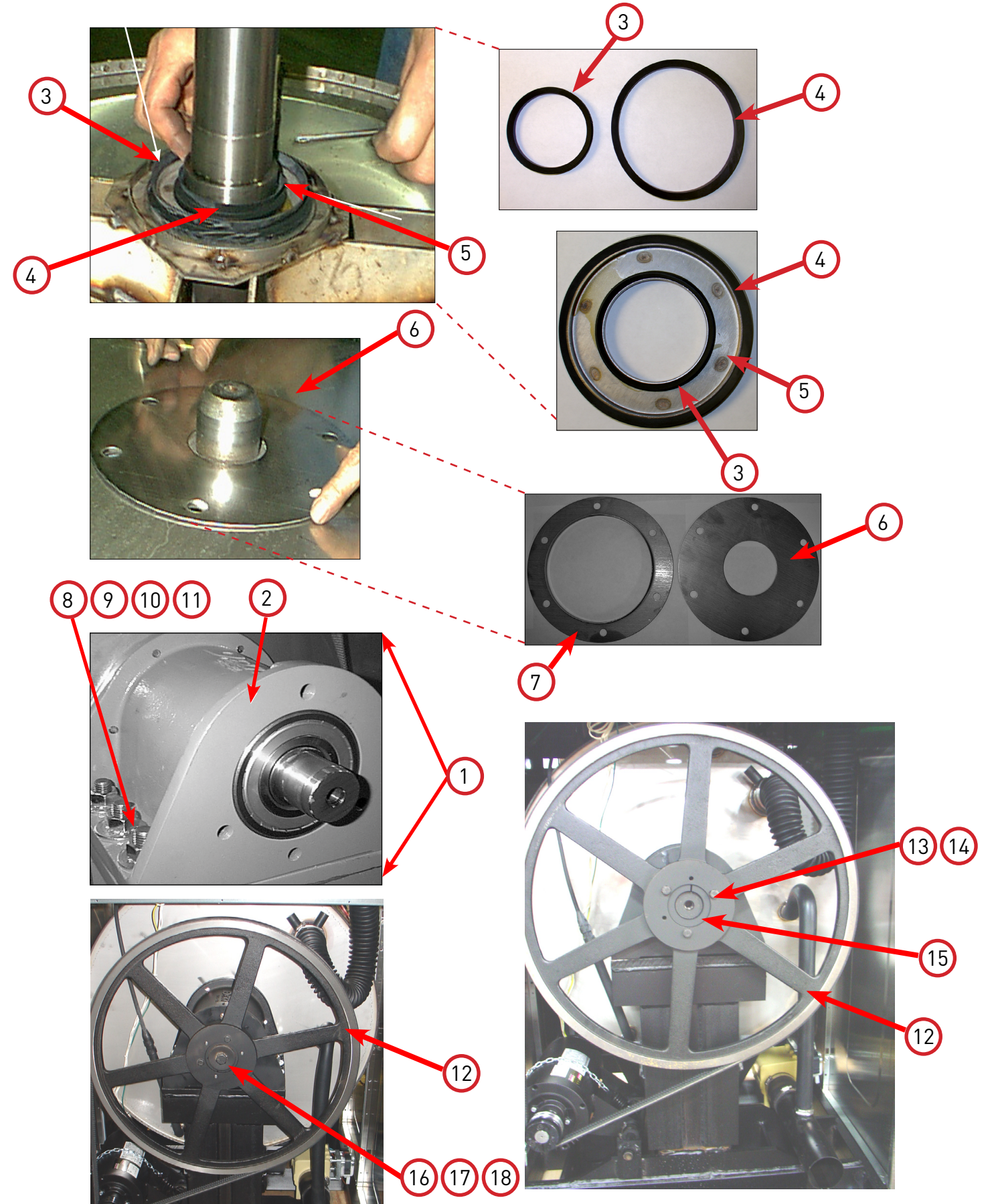
Loading Door Parts Group



Cylinder, Seals, & Bearings Parts Group

Key	Description	T-650	T-950	T-1450	QTY
*	Bearings and Seal Kit	9732-219-007	9732-219-007	9732-219-009	1
*	Housing, Bearing- Assembly (Includes #2-#6)	9803-187-001	9803-187-001	9803-209-001	1
2	Housing, Bearing	9241-181-004	9241-181-004	9241-195-003	1
*	Bearing, Front (Small)	9036-159-006	9036-159-006	9036-162-002	1
*	Bearing, Rear (Large)	9036-159-005	9036-159-005	9036-162-001	1
*	Spacer, Bearing	9538-170-001	9538-170-001	9538-185-001	1
*	Ring, Bearing Retainer	9487-238-004	9487-238-004	9487-238-004	1
3	Seal, Small V85A	9532-140-007	9532-140-007		1
4	Seal, Small V95A			9532-140-012	1
4	Seal, Large V140A	9532-140-008	9532-140-008	9532-140-008	1
5	Ring, Seal Mounting	9950-052-001	9950-052-001	9950-062-001	1
6	Tub Back Mating Ring	9487-261-004	9487-261-004	9487-261-005	1
7	Mating Ring Guard Shield	9950-052-001	9950-054-004	9487-276-001	1
*	Bolt, Tub End of Bearing Housing (7/16-14x1), Bolt from inside Tub	9545-059-004	9545-059-004	9545-059-004	6
*	Washer, Flat	8641-581-034	8641-581-034	8641-581-034	6
8	Screw-Hex Cap, 3/4"-10 x 3" (Bearing Housing to Frame)	9545-057-002	9545-057-002		6
8	Screw-Hex Cap, 7/8"-10 x 3" (Bearing Housing to Frame)			9545-066-001	6
9	Washers Spherical 3/4 (Male half) (Bearing Housing to Frame)	8641-588-001	8641-588-001		6
9	Washers Spherical 7/8 (Male half) (Bearing Housing to Frame)			8641-588-003	6
10	Washers Spherical 3/4 (Female half) (Bearing Housing to Frame)	8641-588-002	8641-588-002		6
10	Washers Spherical 7/8 (Female half) (Bearing Housing to Frame)			8641-588-004	6
11	Nut 3/4"-10 (Bearing Housing to Frame)	8640-418-003	8640-418-003		6
11	Nut 7/8"-9 (Bearing Housing to Frame)			8640-437-001	6
12	Pulley, Driven	9453-173-002	9453-176-005	9453-176-005	1
*	Tolerance Ring	9487-234-004			1
*	Screw, 5/8"-11 x 2"	9545-060-004			1
*	Washer-Flat, 5/8"	8641-582-032			1
*	Washer-Flat, 5/8"	8641-582-018			1
13	Bolt, 3/8"-16 x 2"		9545-029-011	9545-029-011	3
14	Washer, 3/8"		8641-582-003	8641-582-003	3
15	Bushing Taperlock (Driven & Large)		9053-078-002	9053-078-002	1
16	Washer-Flat .675x2-1/2x1/4	8641-582-032	8641-581-043		1
17	Lockwasher-Exttooth, 5/8	8641-582-018	8641-582-018		1
18	Bolt, 5/8-11x1 1/2	9545-060-004	9545-060-001		1
16	Washer-Flat, .781x2-1/2x1/4			8641-581-044	1
17	Lockwasher-Exttooth, 3/4			8641-582-020	1
18	Bolt, 3/4-10-1 1/2			9545-057-004	1

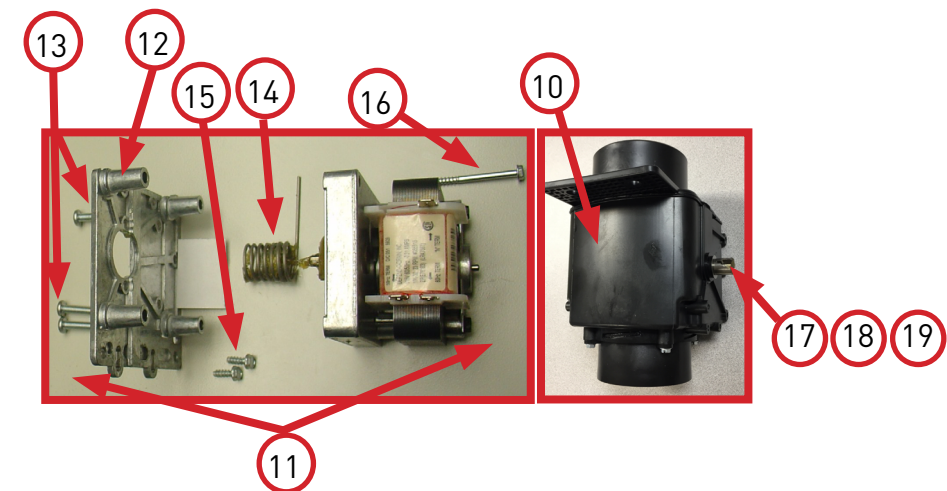
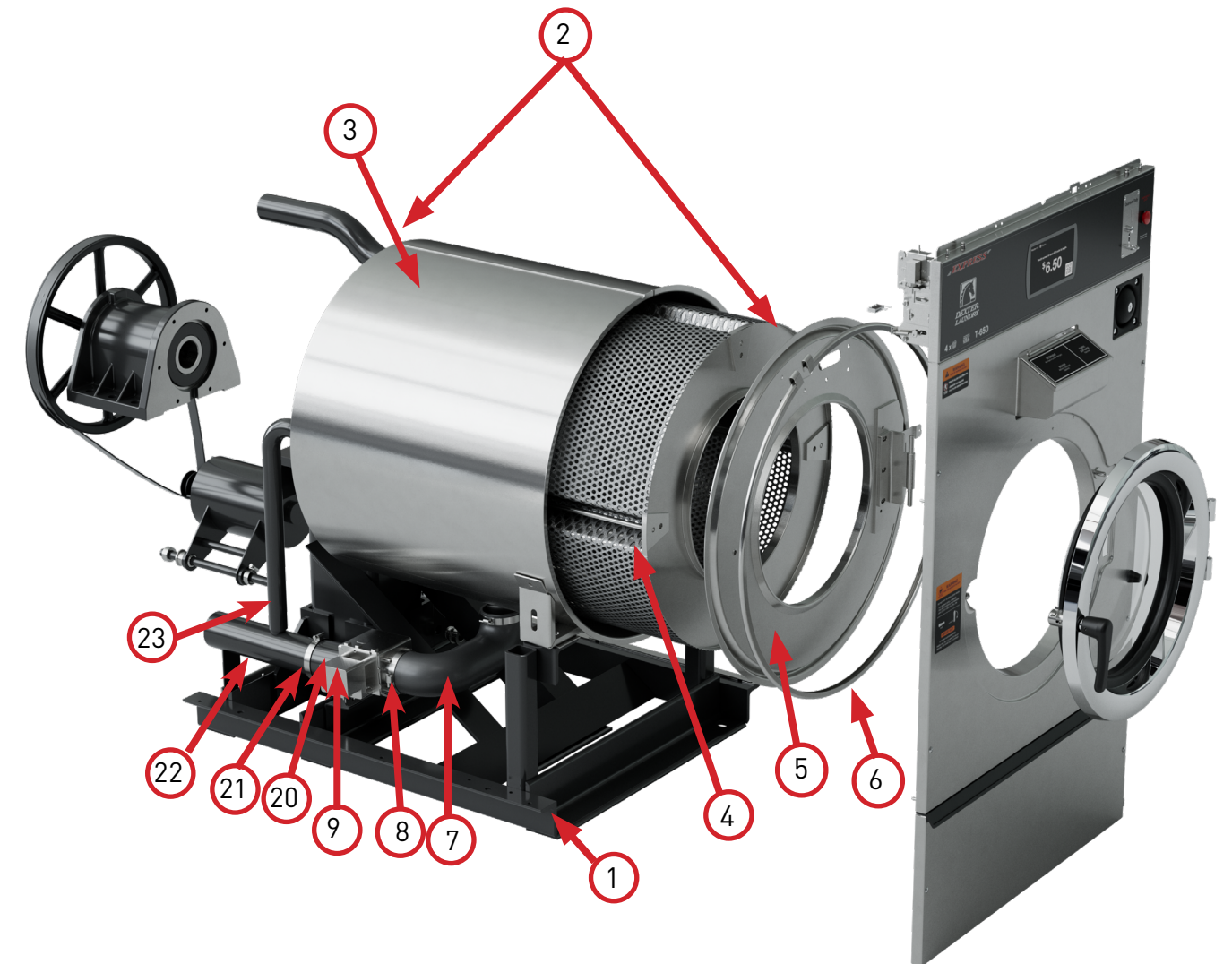
Cylinder, Seals, & Bearings Parts Group



Chassis & Drain Parts Group

Key	Description	T-650	T-950	T-1450	QTY
1	Base Frame Assembly	9945-143-002	9945-155-002	9945-133-002	1
2	Complete Tub and Cylinder Assembly	9869-035-001	9869-027-001	9869-026-001	1
3	Tub Assembly	9930-181-001	9930-184-001	9930-186-001	1
4	Cylinder Assembly	9848-145-001	9848-136-001	9848-141-001	1
5	Tub Front	9974-018-001	9974-019-002	9974-020-001	1
*	Gasket, Tub Front	9206-421-004	9206-421-002	9206-421-003	1
6	Ring Assy, Tub Mtg-Front Clamp	9950-063-001	9950-055-001	9950-061-001	1
*	Bolt, Top Front Ring 3/8"-16 x 3"	9545-029-009	9545-029-009	9545-029-009	1
*	Nut 3/8"-16	8640-415-001	8640-415-001	8640-415-001	1
7	Hose, Tub to Drain Valve	9242-457-001	9242-457-001	9242-457-002	1
8	Hose Clamp (Tub to Drain Valve)	8654-117-014	8654-117-014	8654-117-014	2
9	Drain Valve (60Hz Only) (Includes #12-21)	9379-202-001	9379-202-001	9379-202-001	1
9	Drain Valve (50Hz Only)	9379-202-002	9379-202-002	9379-202-002	1
10	Body, Valve (w/ Ball)	9064-072-001	9064-072-001	9064-072-001	1
11	Motor & Gear Train (Complete) (60Hz Only)	9914-137-023	9914-137-023	9914-137-023	1
11	Motor & Gear Train (Complete) (50Hz Only)	9914-137-022	9914-137-022	9914-137-022	1
12	Plate, Motor Mtg.	9452-538-001	9452-538-001	9452-538-001	1
13	Screw, Mtg.	8639-994-001	8639-994-001	8639-994-001	4
14	Spring, Drive	9534-339-001	9534-339-001	9534-339-001	1
15	Screw	9545-054-001	9545-054-001	9545-054-001	2
16	Screw	9545-054-002	9545-054-002	9545-054-002	1
17	Seal, V Packer	9532-134-001	9532-134-001	9532-134-001	1
18	Washer	8641-584-001	8641-584-001	8641-584-001	1
19	Pin, Main Drive	9451-196-001	9451-196-001	9451-196-001	1
*	Plate (Spacers Needed for Replacing Motor Mtg. Plate)	9538-149-001	9538-149-001	9538-149-001	1
*	Kit, Seal Replacement	9732-327-001	9732-327-001	9732-327-001	1
20	Hose, Drain Valve to Tube	9242-464-001	9242-456-001	9242-459-001	1
21	Hose Clamp (Drain Valve to Tube)	8654-117-014	8654-117-014	8654-117-014	2
22	Drain Tube Assembly	9915-124-002	9915-124-002	9915-129-002	1
*	Screw (Drain Tube Bracket to Base) 1/4Bx3/4	9545-030-002	9545-030-002	9545-030-002	4
23	Hose, Overflow Suds	9242-463-004	9242-463-004	9242-463-006	1
*	Clamp, Overflow Hose	8654-117-008	8654-117-008	8654-117-008	1
*	Fill Hose, Vacuum Breaker to Tub	9242-458-003	9242-458-003	9242-458-003	1
*	Hose, Pressure Switch	9242-175-004	9242-175-007	9242-175-004	1
*	Clamp, Pressure Switch Hose	8654-117-015	8654-117-015	8654-117-015	1

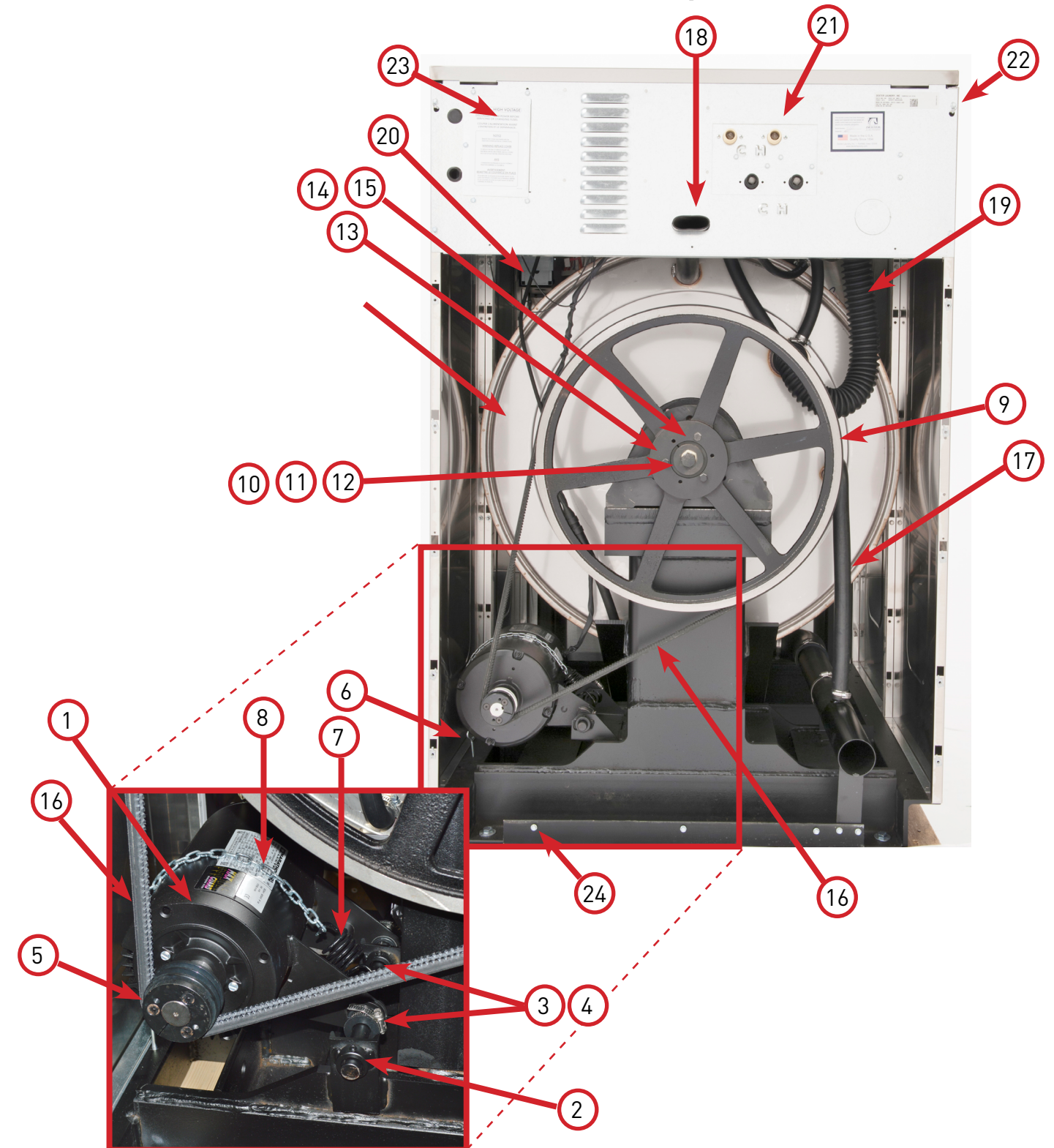
Chassis & Drain Parts Group



Rear View Parts Group

Key	Description	T-650	T-950	T-1450	QTY
1	Drive Motor, 3 Phase	9376-319-001	9376-329-001	9376-326-002	1
2	Rod, Motor Mtg	9497-222-004	9497-222-004	9497-222-004	1
3	Motor-Bushing, Support	9053-082-001	9053-082-001	9053-082-001	2
4	Clamp for motor bushing	8654-117-019	8654-117-019	8654-117-019	2
5	Pulley, Motor	9453-170-003	9453-175-002	9453-175-002	1
	Set, Screw	9545-028-015			
5	Split TaperBushing (motor pulley)		9053-077-001	9053-077-001	2
*	Screw taper bushing 1/4-20x1		9545-018-024	9545-018-024	3
6	Bolt, Eye (1/4"-20x1/2")	9545-055-001	9545-055-001	9545-055-001	1
*	Nut, 1/4 Elastic Stop	8640-414-003	8640-414-003	8640-414-003	1
*	Link (open end)		9341-046-001	9341-046-001	1
7	Chain (Spring Tension)		9099-012-003	9099-012-004	1
*	Bracket Belt Tension, Mounts on Moter	9029-206-001			1
*	Nut, 10-32	8640-413-002			1
8	Spring, Belt Tension	9534-369-001	9534-369-001	9534-369-001	1
9	Pulley, Driven	9453-173-002	9453-176-005	9453-176-005	1
*	Tolerance Ring	9487-234-004			1
10	Screw, 5/8"-11 x 2"	9545-060-004			1
11	Washer-Flat, 5/8"	8641-582-032			1
12	Lockwasher-Flat, 5/8"	8641-582-018			1
10	Washer-Flat .675x2-1/2x1/4		8641-581-043		1
11	Lockwasher-Exttooth, 5/8		8641-582-018		1
12	Bolt, 5/8-11x1 1/2		9545-060-001		1
10	Washer-Flat, .781x2-1/2x1/4			8641-581-044	1
11	Lockwasher-Exttooth, 3/4			8641-582-020	1
12	Bolt, 3/4-10-1 1/2			9545-057-004	1
13	Bushing Taperlock (Pulley)		9053-078-002	9053-078-002	1
14	Bolt, 3/8"-16 x 2"		9545-029-011	9545-029-011	3
15	Washer, 3/8"		8641-582-003	8641-582-003	3
16	Drive Belt		9040-079-002	9040-079-006	1
16	Drive Belt	9040-076-005			2
17	Hose, Overflow to drain	9242-449-002	9242-449-003	9242-449-005	1
*	Clamp, Hose overflow to drain	8654-117-018	8654-117-018	8654-117-018	2
18	Hose, Overflow Vent Top	9242-463-004	9242-463-004	9242-463-006	1
*	Clamp, Hose Vent	8654-117-008	8654-117-008	8654-117-008	1
*	Vaccum Breaker ALL	9610-001-001	9610-001-001	9610-001-001	1
*	Clamp, Hose to Vacuum Breaker	8654-117-014	8654-117-014	8654-117-014	2
19	Hose, Vacuum Breaker to tub	9242-458-003	9242-458-003	9242-458-003	1
*	Vaccum Breaker Bracket	9029-077-001	9029-077-001	9029-266-001	1
*	Inlet Cap		0935-135-001		2
20	Hose, Pressure Switch	9242-175-004	9242-175-007	9242-175-004	1
*	Clamp, Pressure Switch Hose	8654-117-015	8654-117-015	8654-117-015	1
21	Channel, Rear,	9947-032-001	9947-028-001	9947-029-001	1
22	Screw #10Bx1/2	9545-008-026	9545-008-026	9545-008-026	4
*	Nut, Spring	8640-399-004	8640-399-004	8640-399-004	4
23	Cover, Terminal Block	9074-267-001	9074-267-001	9074-267-001	1
*	Screw #10Bx1/2	9545-008-026	9545-008-026	9545-008-026	1

Rear View Parts Group



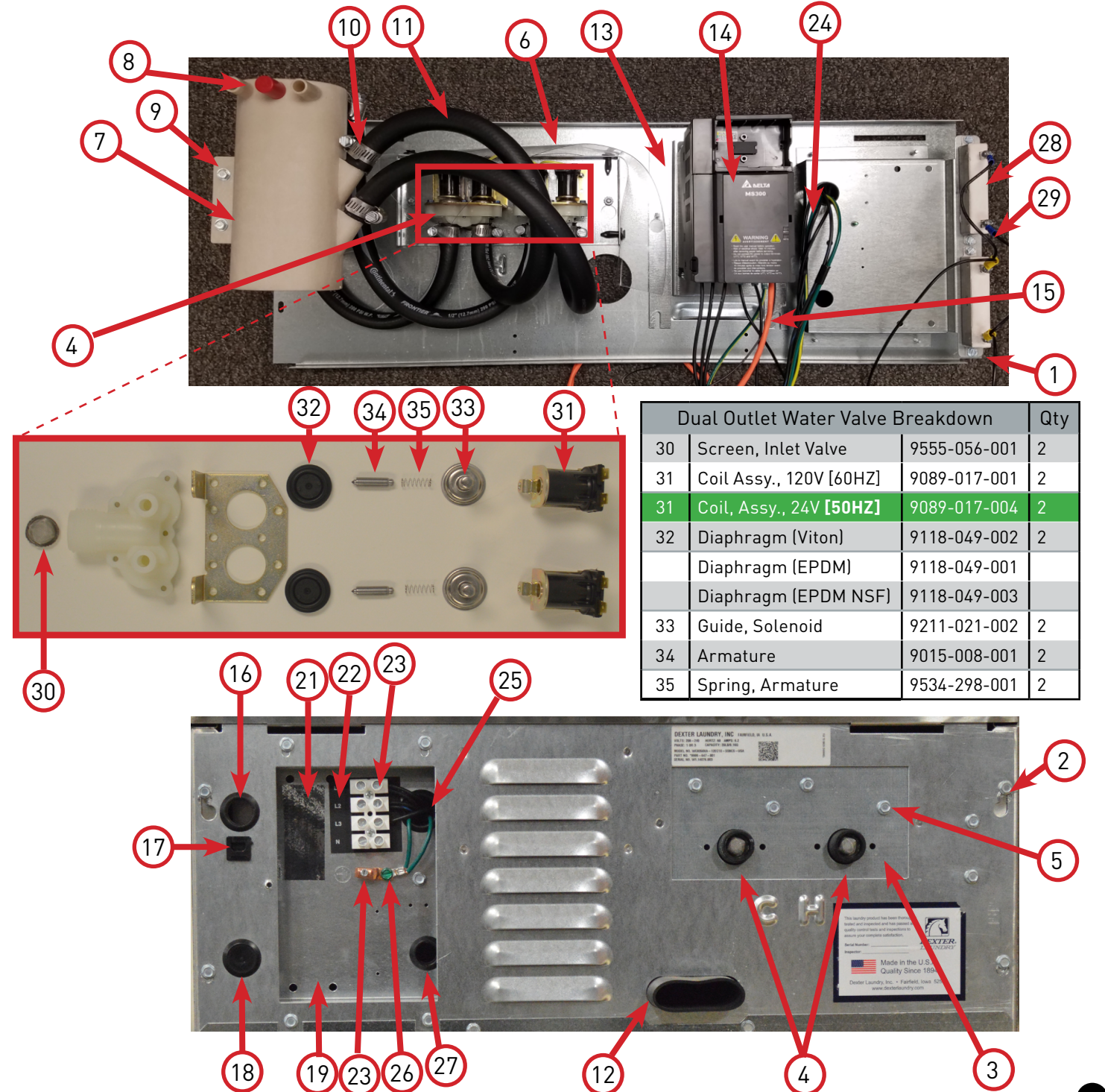
Key	Description	T650	T950	T1450	QTY
*	Panel Assy., Back, Upper	9444-014-001	9454-905-001	9454-873-001	1
*	Panel Assy., Back, Lower	9444-013-001	9444-015-001	9454-872-001	1
*	Screw Panel Mtg.#10Bx1/2"	9545-008-026	9545-008-026	9545-008-026	13
*	Nut, Spring	8640-399-008	8640-399-008	8640-399-008	AR
28	Screw, To Base-1/4" x 3/4"	9545-030-002	9545-030-002	9545-030-002	3

Water Inlet & Rear Channel Parts Group

Key	Description	T-650	QTY
1	Rear Channel	9947-032-001	1
2	Screw, #10B x 1/2	9545-008-026	4
*	Nut, Spring	8640-399-007	4
3	Mounting Plate Water Valves	9452-813-001	1
*	Nut-Elastic stop, #10-32	8640-413-002	2
4	Valve, Water Inlet (dual outlet) [60HZ]	9379-183-012	2
4	Valve, Water Inlet (Dual Outlet) 50HZ ONLY	9379-183-013	2
5	Screw, Valve Mtg	9545-008-026	4
*	Wire-Assy, Jumper, Yellow	8220-123-001	1
6	Shield over Water Valves Plastic	9550-194-001	1
*	Push Clip	9083-121-001	2
7	Vacuum Breaker	9610-001-001	1
*	Bracket, Vacuum Breaker	9029-077-001	1
8	Vacuum Breaker Cap (Red)	0935-135-002	*
9	Screw, #10B x 1/2	9545-008-026	4
10	Clamp, Hose to Vacume Braker	8654-117-014	1
*	Hose, Vacuum Breaker to Tub	9242-458-003	1
*	Clamp, Tub End	8654-117-009	1
11	Hose, Valve to Vac. Braker	9242-453-020	4
*	Hose, Cold, Vac. Brkr. dispenser	9242-453-013	1
*	Hose, Hot, Vac. Brkr. dispenser	9242-453-007	1
*	Clamp, Hose-Worm	8654-117-015	12
12	Hose, Overflow Suds	9242-463-004	1
*	Clamp, Hose-Spring (overflow to tub back)	8654-117-018	2
13	Plate Assembly, Drive Mounting	9452-847-001	1
*	Nut-#10-32UNF, 2B	8640-413-002	4
14	VFD Delta MS300	9375-035-031	1
*	Key Pad-Display Delta MS300	9150-058-001	1
15	Cable-Data, Communication	9806-023-004	1
16	Bushing, 7/8	9053-067-002	1
17	Clip Strain Relif	8618-037-001	1
18	Plug, 7/8	9456-041-006	1
29	Bracket, Terminal-Mounting	9029-326-001	1
20	Screw, #10-32 TTX 1/2 GRN	9545-008-027	1
21	Label-Warning	8502-639-001	1
22	Strip-Terminal Marker	9558-025-001	1
23	Terminal Block	9897-033-002	1
*	Screw-Phillips, 6ABx3/4	9545-031-010	2
24	Harness-Power, Terminal Block	9627-932-001	1
24	Harness, Term Block, Non-Htd (50Hz Only)	9628-001-001	1
25	Bushing, 1"	9053-067-004	1
26	Terminal Lug, Solderless	8652-134-001	1
*	Lock-Washer Exttooth #10	8641-582-006	1

Water Inlet & Rear Channel Parts Group

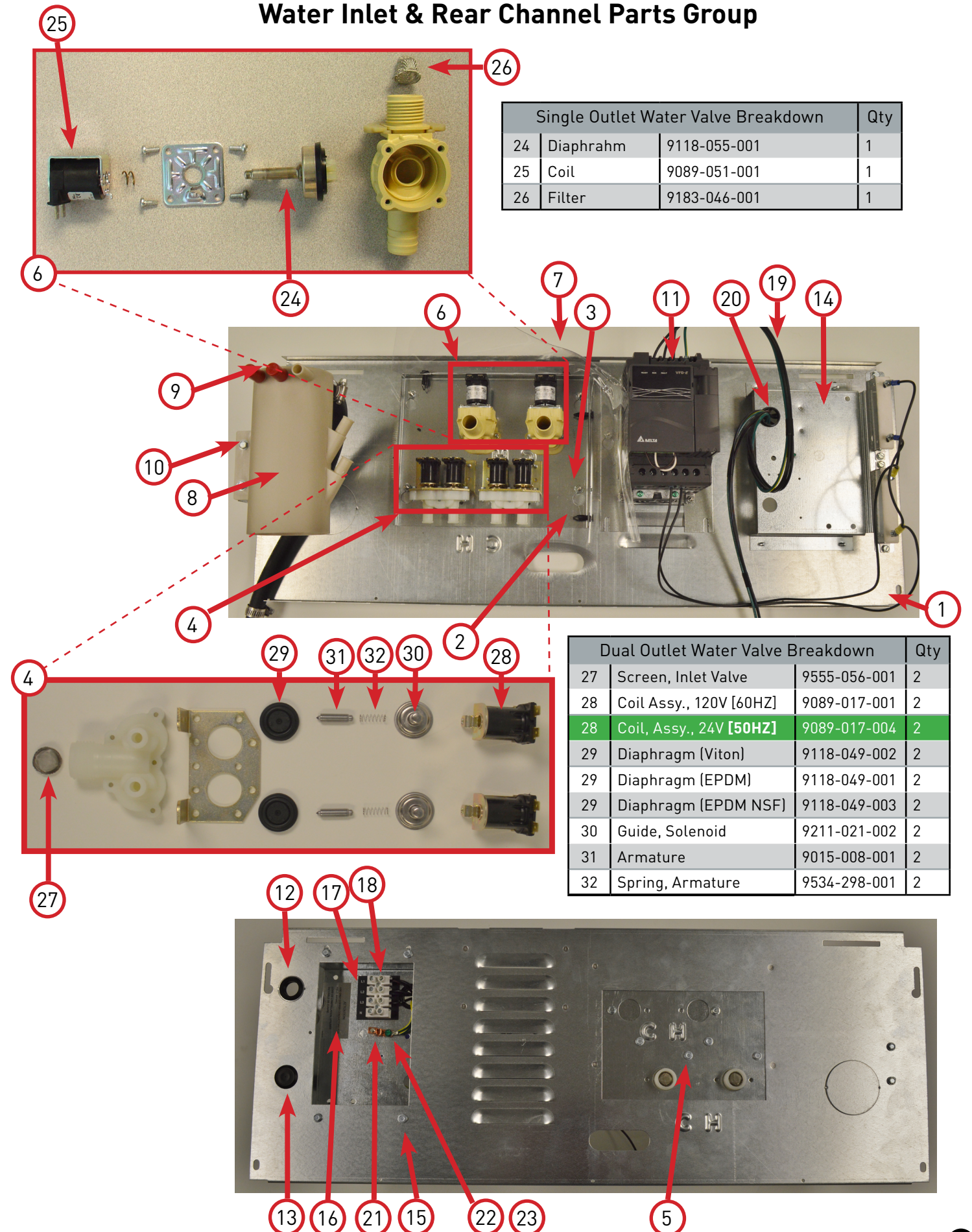
Key	Description	T-650	QTY
27	Bushing, 3/4	9053-067-001	1
28	Braking resistors (200 ohm)	9483-004-002	2
*	Screw, #6-32x5/16	9545-044-006	4
29	Wire Assy, Jumper	8220-117-002	2
*	Nut, #6-32	8640-411-003	4
*	Control Covers	9074-267-001	1
*	Screw-#10Bx1/2	9545-008-026	1



Water Inlet & Rear Channel Parts Group

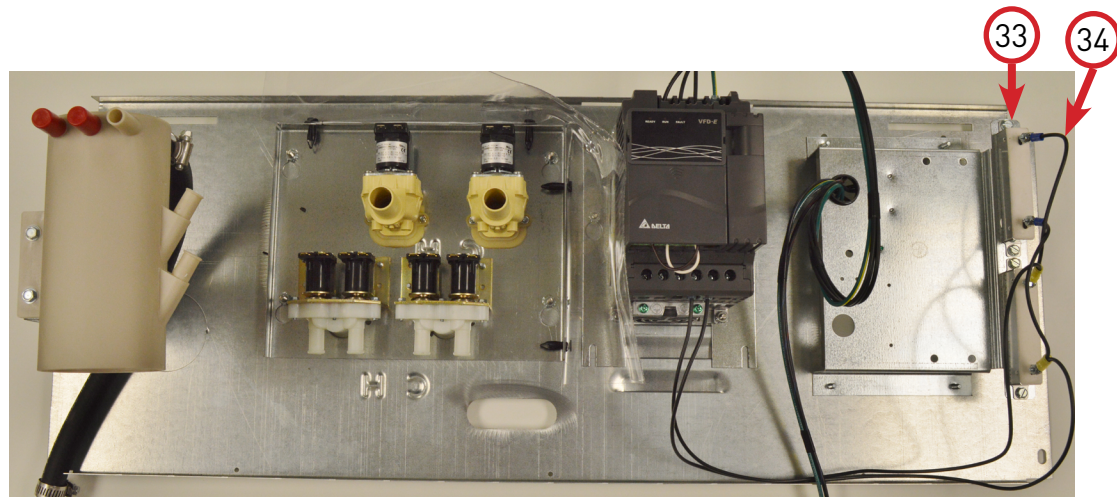
Key	Description	T-950	T-1450	QTY
1	Rear Channel	9947-028-001	9947-029-001	1
*	Screw, #10B x 1/2	9545-008-026	9545-008-026	6
*	Clip, Spring	8640-399-004	8640-399-004	6
2	Mounting Plate Water Valves	9452-813-001	9452-813-001	1
3	Nut-Elastic stop, #10-32	8640-413-002	8640-413-002	2
4	Valve, Water Inlet (dual outlet) [60HZ]	9379-183-012	9379-183-012	2
4	Valve, Water Inlet (Dual Outlet) [50HZ]	9379-183-013	9379-183-013	2
5	Screw, Valve Mtg	9545-008-026	9545-008-026	4
6	Valve, Water Inlet (Single Outlet) [60HZ]	9379-194-001	9379-194-001	2
6	Valve, Water Inlet (Single Outlet) [50HZ]	9379-194-003	9379-194-003	2
*	Wire-Assy, Jumper, Yellow	8220-123-001	8220-123-001	1
7	Shield over Water Valves Plastic	9550-195-001	9550-195-001	1
*	Push Clip	9083-121-001	9083-121-001	2
8	Vacuum Breaker	9610-001-001	9610-001-001	1
*	Bracket, Vacuum Breaker	9029-266-001	9029-077-001	1
9	Vacuum Breaker Cap (Red)	0935-135-002	0935-135-002	*
10	Screw, #10B x 1/2	9545-008-026	9545-008-026	4
*	Clamp, Hose to Vacume Braker	8654-117-014	8654-117-014	1
*	Hose, Vacuum Breaker to Tub	9242-458-003	9242-458-003	1
*	Clamp, Tub End	8654-117-009	8654-117-009	1
*	Hose, Valve to Vac. Braker	9242-453-020	9242-453-020	4
*	Clamp, Hose-Worm	8654-117-015	8654-117-015	12
*	Hose, Overflow Suds	9242-463-004	9242-463-004	1
*	Clamp, Hose-Spring (overflow to tubback)	8654-117-018	8654-117-018	2
*	Plate Assembly, Drive Mounting	9452-847-001	9452-848-001	1
*	Nut-#10-32UNF, 2B	8640-413-002	8640-413-002	4
11	VFD Delta MS300	9375-034-030	9375-035-030	1
*	Key Pad-Display Delta MS300	9150-058-001	9150-058-001	1
*	Cable-Data, Communication	9806-023-003	9806-023-003	1
12	Bushing, 7/8	9053-067-002	9053-067-002	1
13	Plug, 7/8	9456-041-006	9456-041-006	1
14	Bracket, Terminal-Mounting	9029-326-001	9029-326-001	1
15	Screw, #10-32 TTX 1/2 GRN	9545-008-027	9545-008-027	1
16	Label-Warning	8502-639-001	8502-639-001	1
17	Strip-Terminal Marker	9558-025-001	9558-025-001	1
18	Terminal Block	9897-033-002	9897-033-002	1
*	Screw-Phillips, 6ABx3/4	9545-031-010	9545-031-010	2
19	Harness-Power, Terminal Block	9627-932-001	9627-932-001	1
19	Harness, Term Block, Non-Htd [50HZ]	9628-001-001	9628-001-001	1
20	Bushing, 1"	9053-067-004	9053-067-004	1
21	Terminal Lug, Solderless	8652-134-001	8652-134-001	1
22	Lock-Washer Exttooth #10	8641-582-006	8641-582-006	1
23	Screw, #10-32 TTX 1/2 GRN	9545-008-027	9545-008-027	1

Water Inlet & Rear Channel Parts Group

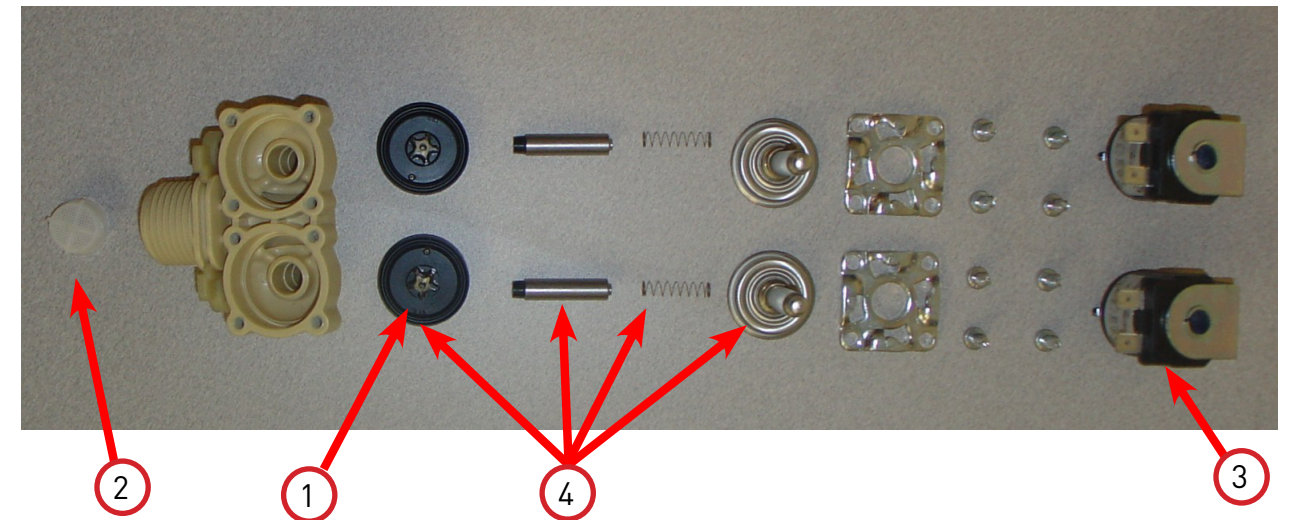


Water Inlet & Rear Channel Parts Group Continued...

Key	Description	T-950	T-1450	QTY
33	Braking resistors (160 ohm)	9483-004-003	9483-004-003	2
*	Screw, #6-32x5/16	9545-044-006	9545-044-006	4
34	Wire Assy, Jumper	8220-117-002	8220-117-002	2
*	Nut, #6-32	8640-411-003	8640-411-003	4
*	Control Covers	9074-267-001	9074-267-001	1
*	Screw-#10Bx1/2	9545-008-026	9545-008-026	1



Water Inlet & Rear Channel Parts Group Continued...



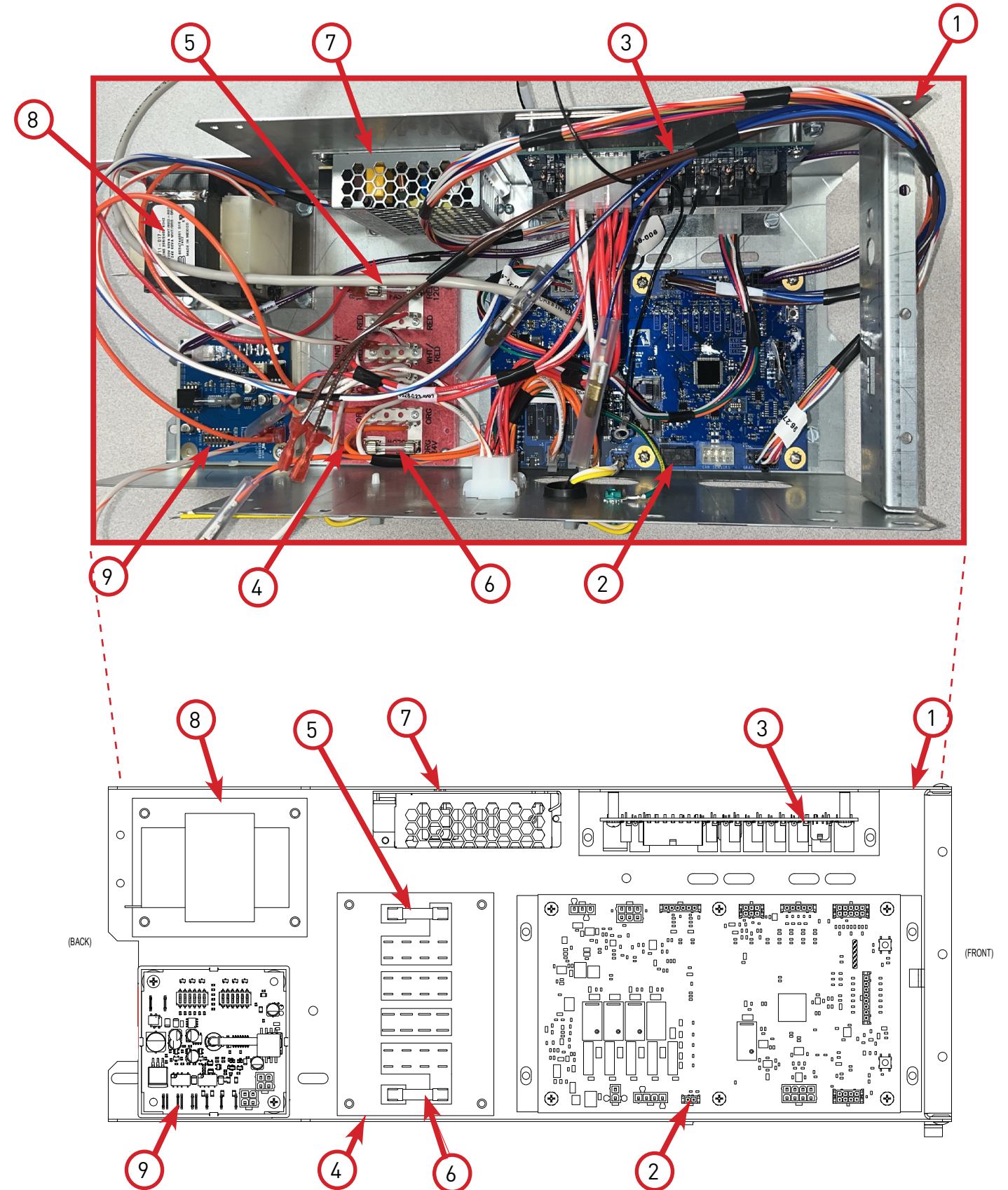
Optional Water Valve Parts Breakdown					
Key	Description	T-650	T-950	T-1450	QTY
*	Dual Coil Water Valve Mueller	9379-192-001	9379-192-001	9379-192-001	1
1	Diaphragm Mueller	9118-054-001	9118-054-001	9118-054-001	2
2	Filter Mueller	9183-046-001	9183-046-001	9183-046-001	2
3	Coil Mueller	9089-051-001	9089-051-001	9089-051-001	2
4	Diaphragm Assembly Mueller Includes	9785-001-001	9785-001-001	9785-001-001	2

Description	T650	T950	T1450
9242-453-009 Hose-water,23" 1/2 I.D	1		2
9242-453-018 Hose-water,29" 1/2 I.D			1
9242-453-020 Hose-water,18" 1/2 I.D	4	5	3
9242-453-021 Hose-water,31" 1/2 I.D		1	
9242-453-023 Hose-water,40" 1/2 I.D			1
9242-453-024 Hose-water,37" 1/2 I.D	2	1	
9242-453-025 Hose-water,19" 7/8 I.D		2	
9242-453-026 Hose-water,25" 7/8 I.D			2
0935-135-002 Fill Cap, (Red)		3	3
8615-118-001 Fitting-Cross, 1/2"		1	1
8654-117-015 Clamp 1" SS	14	14	14
8654-117-017 Clamp 1 1/4" SS		4	4

Electrical Components Parts Group

Key	Description	T-650	T-950	T-1450	QTY
*	Complete Control Trough Assembly	9857-283-001	9857-285-001	9857-286-001	1
1	Control Trough	9575-045-001	9575-045-001	9575-045-001	1
2	Control PCB Board	9799-029-001	9799-029-001	9799-029-001	1
3	Relay PCB Board	9799-030-001	9799-030-001	9799-030-001	1
4	Pwr. Dist. Terminal Block Assembly	9897-044-001	9897-044-001	9897-044-001	1
5	1.5 Amp Fuse	8636-018-001	8636-018-001	8636-018-001	1
6	2.0 Amp Fuse	8636-018-005	8636-018-005	8636-018-005	1
*	Screw-#8ABx1/2	9545-045-012	9545-045-012	9545-045-012	4
7	Power Supply-12VDC	9150-054-001	9150-054-001	9150-054-001	1
*	Screw-6Bx3/8	9545-031-005	9545-031-005	9545-031-005	2
8	Transformer	8711-017-001	8711-017-001	8711-017-001	1
*	Screw-#10Bx1/2	9545-008-026	9545-008-026	9545-008-026	4
*	Lockwasher-Exttooth, #10	8641-582-006	8641-582-006	8641-582-006	4
9	Water Pressure Sensor	9474-007-001	9474-007-001	9474-007-001	1
*	WPS Support	9548-292-001	9548-292-001	9548-292-001	1
10	Wiring Harness, Relay, 15-pin (60Hz Only)	9628-023-001	9628-023-001	9628-023-001	1
10	Wiring Harness, Relay, 15-Pin (50Hz Only)	9628-028-001	9628-028-001	9628-028-001	1
11	Data Cable Assembly	9806-023-005	9806-023-005	9806-023-005	1
12	Wiring Harness, Cntrol/Relay	9627-921-001	9627-921-001	9627-921-001	1
13	Wiring Harness, Power Supply	9627-923-001	9627-923-001	9627-923-001	1
14	Wire Assembly, ORG	8220-062-052	8220-062-052	8220-062-052	1
15	Wire Assembly, WHT/ORG	8220-062-053	8220-062-053	8220-062-053	1
*	Wiring Harness, Ctrl/Graphics	9627-922-002	9627-922-002	9627-922-002	1
*	Wiring Harness, Door/E-Stop	9628-022-001	9628-022-001	9628-022-001	1
*	Cable Clamp	8654-125-005	8654-125-005	8654-125-005	1
*	Screw-8Bx1/4	9545-045-001	9545-045-001	9545-045-001	1
*	Wiring Harness, WPS	9628-020-001	9628-020-001	9628-020-001	1
*	Model ID Jumper Wire	8220-158-025	8220-158-025	8220-158-025	1
*	Relay Jumper Wire Assembly	8220-159-006	8220-159-006	8220-159-006	1
*	Screw-10-32TTx1/2GRN	9545-008-027	9545-008-027	9545-008-027	2
*	Wiring Harness, VFD Enable	9628-021-001	9628-021-001	9628-021-001	1

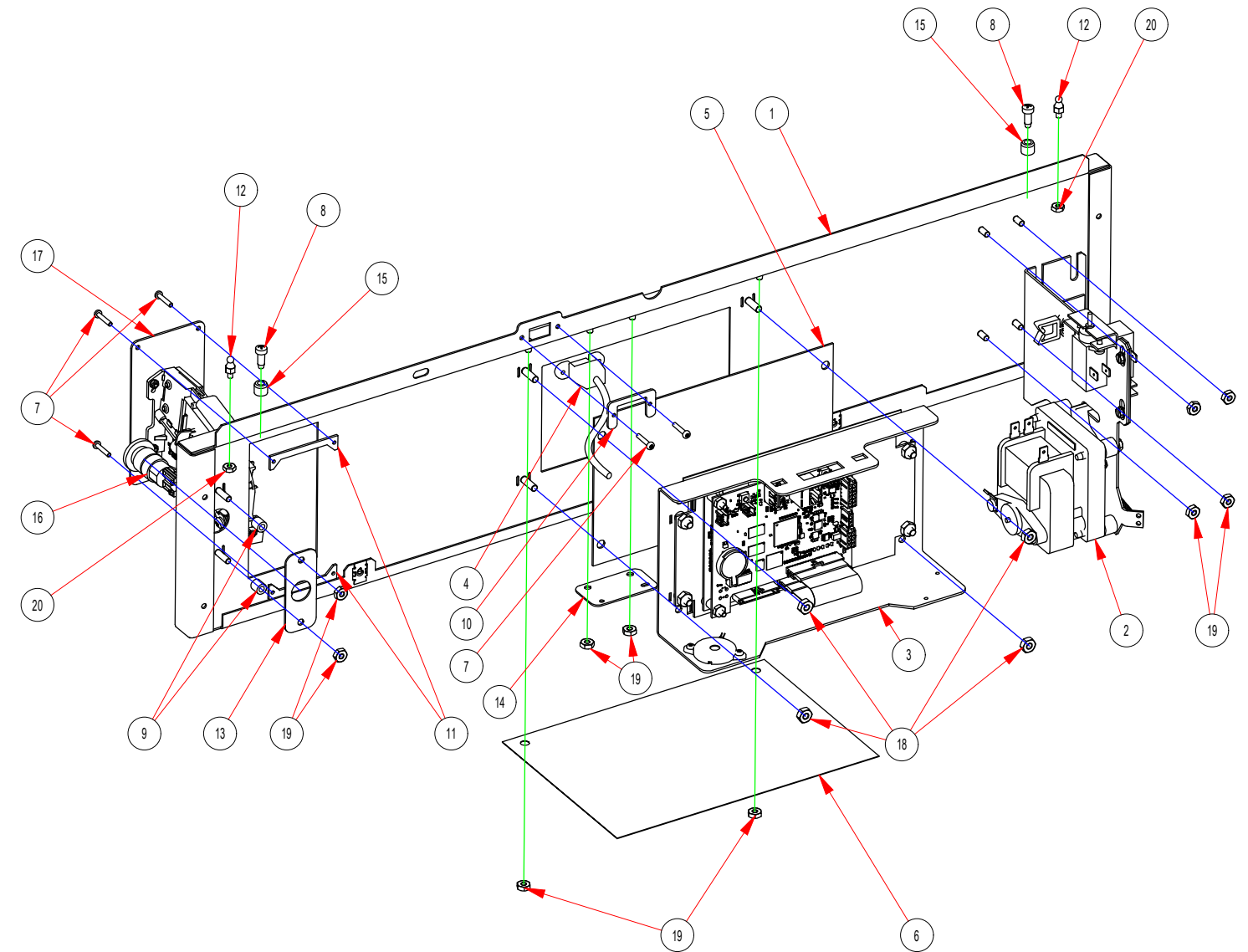
Electrical Components Parts Group



Control Panel Parts Group

Key	Description	T-650	T-950	T-1450	QTY
1	Control Panel	9989-721-001	9989-722-001	9989-723-001	1
2	Door Locking Actuator Assembly (60Hz Only)	9892-015-003P	9982-015-003	9982-015-003	1
2	Door Lock Actuator Assembly (50Hz Only)	9892-015-002P	9892-015-002P	9892-015-002P	1
3	Display Control Board Assembly	9857-289-003	9857-289-003	9857-289-003	1
4	USB Cable Assembly	9806-022-001	9806-022-001	9806-022-001	1
5	Display Protector Window	9635-025-001	9635-025-001	9635-025-001	1
6	PCB Plastic Shield	9550-201-001	9550-201-001	9550-201-001	1
7	Screw-PNHDTORX, 4Bx5/8,CHR	9545-053-002P	9545-053-002P	9545-053-002P	6
8	Screw-FIHDCR,#10Bx5/16	9545-008-023P	9545-008-023P	9545-008-023P	2
9	Spacer, Plastic, #8x5/16	9538-157-020P	9538-157-020P	9538-157-020P	2
10	Retainer, USB	9486-159-001	9486-159-001	9486-159-001	1
11	Retainer, Dual Coin Acceptor	9486-149-001P	9486-149-001P	9486-149-001P	2
12	Post, Top Locator	9467-024-001	9467-024-001	9467-024-001	2
13	Plate, Stop Button Mounting	9452-725-001	9452-725-001	9452-725-001	1
14	Plate, Top Latch	9452-625-001	9452-625-001	9452-625-001	1
15	Locator, Panel	9355-001-001	9355-001-001	9355-001-001	2
16	Button, E-Stop w/o Latching	9035-061-001	9035-061-001	9035-061-001	1
17	Programmable Coin Acceptor	9021-099-001	9021-099-001	9021-099-001	1
18	Nut-HEXKEPS, 10-32	8640-413-002P	8640-413-002P	8640-413-002P	4
19	Nut-NEXKEPS,#8-32	8640-412-005P	8640-412-005P	8640-412-005P	10
20	Nut, HEXKEPS,#6-32	8640-411-003P	8640-411-003P	8640-411-003P	2
21	Nameplate, Blue	9412-266-002	9412-268-002	9412-269-002	1
21	Nameplate, Black	9412-266-001	9412-268-001	9412-269-001	1

Control Panel Parts Group



X-Series Accessories

WC1800__-__T__

Key	Description	T-1800	QTY
*	Hose, Water Supply 3/8" I.D. x 48"	9990-027-011	2
*	Hose, Water Supply 5/8" I.D. x 48"	9990-027-013	2
*	Washer, Inlet Hose (furnished)	8641-242-000	2
*	Strainer, Inlet Hose (furnished)	9565-003-001	2
*	Bevel Washer for 5/8" bolt used in installations using angle iron bases	8641-586-002	
*	Bevel Washer for 3/4" bolt used in installations using angle iron bases	8641-586-003	4
*	Sealing compound	8538-151-001	1
*	TORX#20	8545-051-002	1
*	Special Tool For Removing Coin Acceptor Mounting Screws. (T-10 Torx)	8545-051-003	1
*	Flow Restrictors (in dispenser)	9475-002-003	2
*	Special Tool for adjusting spacing between outer tub front and cylinder front	8545-056-001	1
*	Clamps to hold tub front to outer tub when installing tub front	Vise Grip #11R	1
*	Coin Bearing & Seal Kit	9732-219-009	1
	Key Service Lock (6324)	6292-006-007	1
*	MS300 Display	9150-058-001	1



DEXTER
LAUNDRY



Section 3: Touch Series Vended T-1800 Washer Non-Express (100G) Parts Data

Kits, Assemblies, and Common Parts

Coin Acceptor Components	Part Number
Electronic Coin Acceptor	9021-077-001
Retainer, Coin Acceptor	9486-149-001
Coin Drop Screws	9545-053-002
Loading Door & Door Lock Components	Part Number
Door Glass Gasket (Standard Door)	9206-419-001
Door Glass Gasket (Small Door)	9206-411-002
Kit - Door Gasket Expander Kit (Small)	9732-139-001
Kit - Door Gasket Expander Kit (Large)	9732-139-002
Door Handle Only (Large)	9244-091-001
Door Close Switch	9539-492-001
Door Lock Gear Motor Assembly (60Hz Only)	9892-015-003
Door Lock Gear Motor Assembly 24V (50Hz Only)	9892-015-002
Door Latching Assembly	9885-031-001P
Electrical Components	Part Number
Transformer, Control (60Hz Only)	8711-017-001
Transformer, Control (50Hz Only)	8711-004-004
Main Control Board	9799-029-001P
Water Pressure Sensor	9474-007-001
VFD & Braking Resistors Components	Part Number
Braking Resistor 200 Ohms	9483-004-002
Data Cable	9806-023-003
MS 300 VFD Display	9150-058-001
Drain & Water Valve Components	Part Number
Kit - 3" Drain Valve Seal Replacement	9732-327-001
Drain Valve 3" (T-450) (60Hz Only)	9379-202-001
Drain Valve 3" 24V (T-450) (50Hz Only)	9379-202-002
Water Valve (Dual) (60Hz Only)	9379-183-012
Water Valve (Dual) (50Hz Only)	9379-183-013
Diaphragm (Dual)	9118-049-003
Water Valve (Single) (60Hz Only)	9379-194-001
Water Valve (Single) (50Hz Only)	9379-193-001
Diaphragm (Single)	9118-055-001
Cabinet Components	Part Number
Front Panel Screw	9545-008-014
Front Panel Finisher Washer	8641-585-001
Front Panel Spring Nut	8640-442-001
5/16 Hex Screw, Common	9545-008-026
Top Lock Key #6324	6292-006-007
Cylinder Plug (1.5" Plastic)	9456-041-007

Wiring Harnesses

Description	T-1800	QTY
Wiring Harness, Coin Vault Switch	9628-025-001	1
Wiring Harness, Door Lock	9627-936-004	1
Wire Assembly, WHT/RED, Water Valve	8220-119-003	1
Data Cable Assembly	9806-023-005	1
Wiring Harness, Ctrl/Graphics	9627-922-002	1
Wiring Harness, Relay, 15-pin	9628-023-001	1
Model ID Jumper Wire	8220-158-031	1
Wiring Harness, Door/E-Stop	9628-022-001	1
Wiring Harness, Control/Relay	9627-921-001	1
Relay Jumper Wire	8220-159-006	1
Wiring Harness, WPS	9628-020-001	1
Wire Assembly, ORG	8220-062-052	1
Wire Assembly, WHT/ORG	8220-062-053	1
Wiring Harness, Power Supply	9627-923-001	1
Wiring Harness, VFD Enable	9628-021-001	1
Wiring Harness, 15-pin, Non-Inj	9627-934-001	1
Wiring Harness, Payment, Programmable Acpt	9628-024-001	1
USB Cable Assembly	9806-022-001	1
Wiring Harness, Pwr Term. Block	9627-932-004	1
Wiring Label, Diagram/Informative	9507-097-001	1
Wiring Label, Schematic	9508-097-001	1
Black Wire Assembly, Braking Resistors	8220-117-002	2
Blue Wire Assembly - Door Switch	8220-063-051	1
Blue/Wht Wire Assembly - Door Switch	8220-063-052	1

50Hz Wiring Harnesses Only

Description	T-1800	QTY
Wiring Harness, Pwr Term Block, Non-Htd	9628-001-001	1
Wiring Harness, 15-pin, Valves	9628-004-001	1
Wiring Harness, Relay, 15-pin	9628-028-001	1
Wiring Harness, Payment, Programmable Acpt	9628-024-001	1
Jumper Wire Assembly, WHT/ORG, Water Valve	8220-119-004	1
Wiring Label, Diagram	9507-103-001	1
Wiring Label, Schematic	9508-103-001	1

Cabinet & Front Panel Parts Group

Key	Description	T-1800	QTY
1	Panel, Right Side-stainless	9989-702-001	1
*	Panel, Left Side - stainless	9989-702-002	1
*	Screw	9545-018-013	4
*	Nut, Hex 1/4-20 UNC	8640-414-006	8
*	Bracket, Side Panel under front panel	9046-086-001	1
*	Screw, #10B x 1/2	9545-008-026	1
2	Panel, Control (Mounts Nameplate)	9989-703-011	1
*	Screw, Control Panel to Sides	9545-008-026	4
3	Nameplate Decal, Control Panel (Blue)	9412-270-002	1
3	Nameplate Decal, Control Panel (Black)	9412-270-001	1
*	Stop Button Mounting Plate	9452-725-001	1
4	Emergency Stop Button	9035-061-001	1
*	Emergency Stop Switch	9539-496-001	1
5	Acceptor, Coin-Electronic	9021-077-001	1
*	Retainer-Dual coin Acceptor	9486-149-001	2
*	Screws, Coin Acceptor	9545-053-002	4
6	Front Panel	9444-054-001	1
*	Nut, Hex (to tub front)	8640-414-003	1
*	Door Close Switch	9539-492-001	1
*	Screw, Hex- To Control Panel	9545-008-026	2
*	Nut, Expansion- To Control Panel	8640-442-001	2
7	Screw, Flat Head- Front to Sides	9545-008-026	4
8	Washer, Finish	8641-585-001	4
*	Nut, Expansion-To Front Panel	8640-442-001	4
9	Label, Door Opening-Blue	8502-757-002	1
9	Label, Door Opening-Black	8502-757-001	1
10	Label, Warning Risk of Injury-Blue	8502-759-002	1
10	Label, Warning Risk of Injury-Black	8502-759-001	1
11	Bumper-Loading door	9051-055-001	1
*	Nut, 1/4-20 UNC, 2B	8640-414-003	1
12	Door, Lower Service (includes handle & Rivits)	9960-286-005	1
13	Handle (bumper guard)	9244-086-004	1
*	Rivet	9491-009-003	4
14	Screw Mtg., Flat Head	9545-008-014	2
15	Washer, Finish	8641-585-001	2
*	Nut, Expansion	8640-442-001	2

Cabinet & Front Panel Parts Group

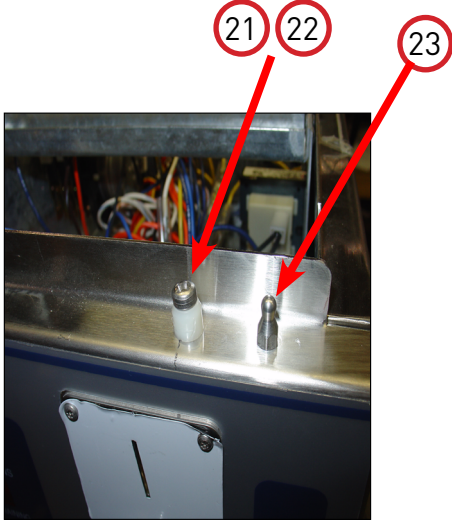


Key	Description	T-1800	QTY
*	Coin Box Assy, Blue	9807-099-002	1
*	Coin Box Assy, Black	9807-099-004	1
16	Vault Assembly, Coin	9942-040-002	1
17	Back-Coin Vault	9050-077-001	1
*	Screw, #10B x 1/2	9545-008-026	4
18	Chute-Coin	9119-032-001	1
*	Screw, 10B x 1/4	9545-008-001	5

Cabinet & Front Panel Parts Group Continued

Key	Description	T-1800	QTY
19	Panel Top, Assembly (includes catch)	9989-701-001	1
20	Lock, Top (w/Key)	8650-012-003	1
*	Lock Spacer	9538-189-001	*
*	Key, Top- # 6324	6292-006-007	1
*	Cam, Lock-Top	9095-049-001	1
*	Nut, 9/32 - 28 Hex	8640-426-001	1
*	Washer Flat 5/16	8641-581-008	1
21	Screw, Locator	9545-008-023	1
22	Plastic Sleeve, Locator	9355-001-001	2
23	Locator Post	9467-024-001	2
*	Nut, Locator Post	8640-411-003	2
24	Complete Soap Box Assembly with Lid	9807-103-001	1
*	Soap Box Gasket	9206-425-001	1
*	Soap Box Lid Assembly	9987-104-001	1
*	Soap Box Screws	9545-012-017	2
*	Soap Boc Softener Tube	9574-252-002	1
*	Nut-Hex, #10-32	8640-413-004	6
*	Spacer-Plastic	9538-157-026	6
*	Soap Box Mounting Bracket	9029-122-002	1
*	Flow Restrictor	9475-002-003	1
*	Hose Clamp, 1in	8654-117-015	2
*	Clamp-Hose	8654-117-017	2

Cabinet & Front Panel Parts Group Continued

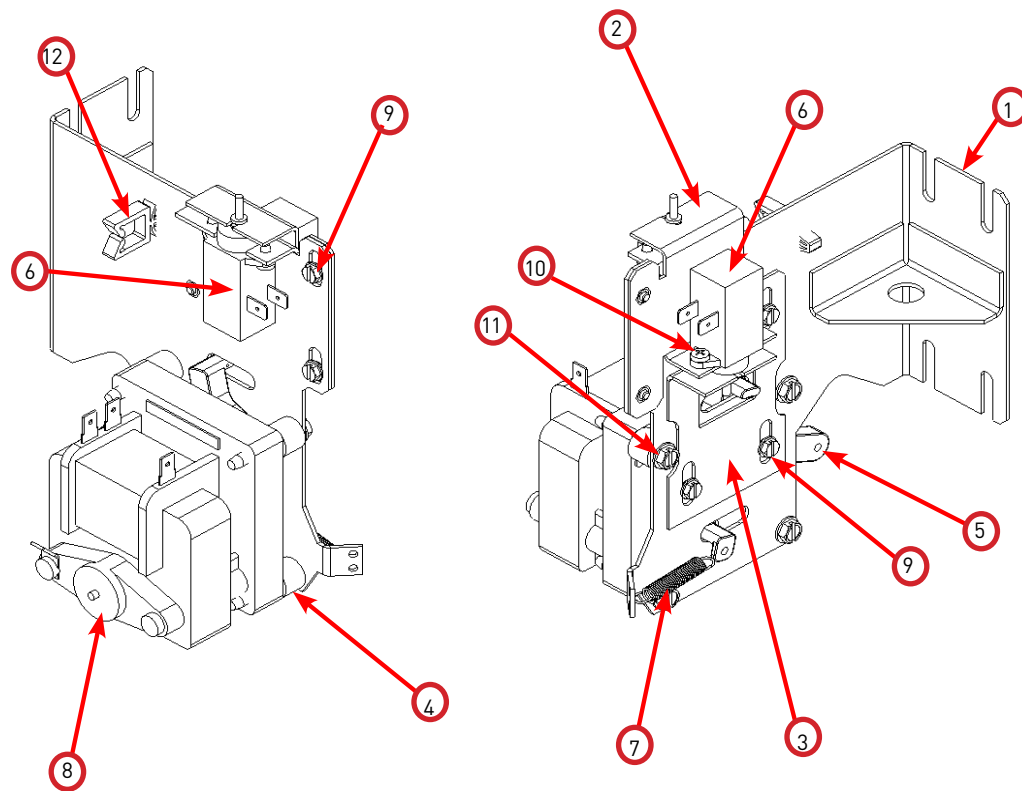


Door Lock Gear Motor Parts Group

Key	Description	T-1800	QTY
*	Actuator Assembly (Includes 1-12, Rod NOT included) (60Hz Only)	9892-015-003	1
1	Bracket Assy, Slide Lock Actuator	9985-190-001	1
2	Bracket Assy, Slide - Unlock	9985-189-001	1
3	Bracket Slide Lock	9029-204-001	1
4	Spacer, Plastic	9538-157-021	4
5	Arm - Door Lock	9001-063-001	1
6	Thermoactuator-Door Lock Rel 120v (60Hz Only)	9586-001-003	2
7	Spring - Extension	9534-350-001	1
8	Motor & Gear Assembly 120v (60Hz Only)	9914-137-015	1
9	Screw -Hxwshrdslsems, 6-32 x 3/16	9545-044-003	6
10	Cross Recessed PAn Hd Tapping screw	9545-031-011	4
11	Screw - hxwshdsl, 10-24 - 1.25f, ctd (60Hz)	9545-046-007	4
12	Standoff-Wire	9527-007-001	1
*	Rod, Door Lock	9497-225-011	1
*	Harness, Door Lock	9627-936-002	1

50Hz Chassis & Drain Parts Group Only

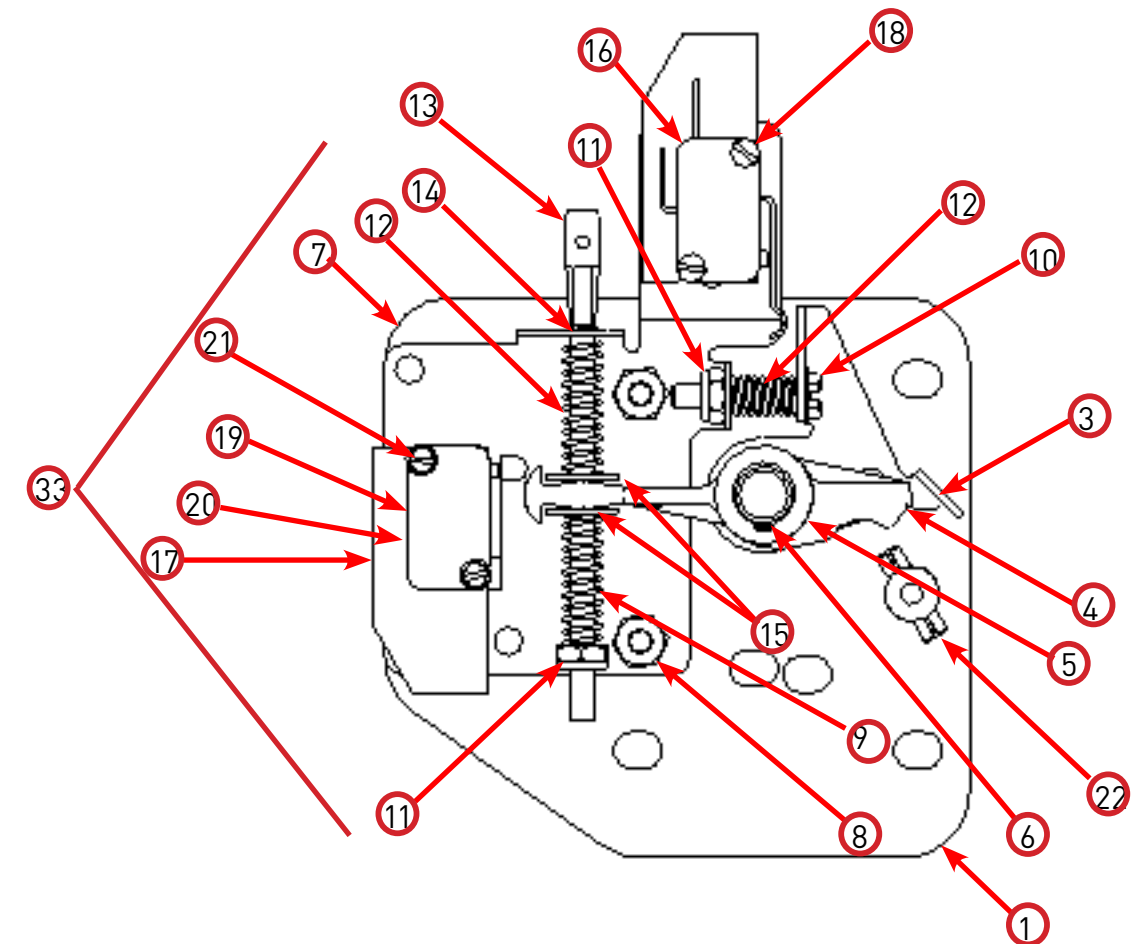
Key	Description	T-1800	QTY
*	Actuator Assembly (Rod NOT included)	9892-015-002	1
6	Thermoactuator-Door Lock Relay 24V	9586-001-003	2
8	Motor & Gear Assembly 24V	9914-137-014	1
11	Screw Pnhdcr, 10-32 UNFx0.75	9545-012-027	4



Door Lock Latching Assembly Parts Group

Key	Description	All Models	QTY
33	Latching Assy, Complete (includes #1 thru #22)	9885-031-001	1
1	Plate Assy, Door Lock	9982-346-001	1
2	Washer, Flat (SS or Brass)	8641-581-030	1
3	Actuator, Latching Switch	9008-005-001	1
4	Pawl, Locking	9732-346-002	1
5	Washer, Spring	8641-569-003	1
6	Ring, Retaining	9487-200-004	1
7	Bracket Switch	9029-163-001	1
8	Nut, Hex 10-32 UNF	8640-413-002	2
9	Spring, Actuating	9534-364-002	1
10	Screw, Hx. 10-32 x 1"	9545-012-020	1
11	Nut, Elastic Stop 10-32	8640-413-004	2
12	Spring, Return	9534-364-001	2
13	Pin, Guide	9451-193-001	1

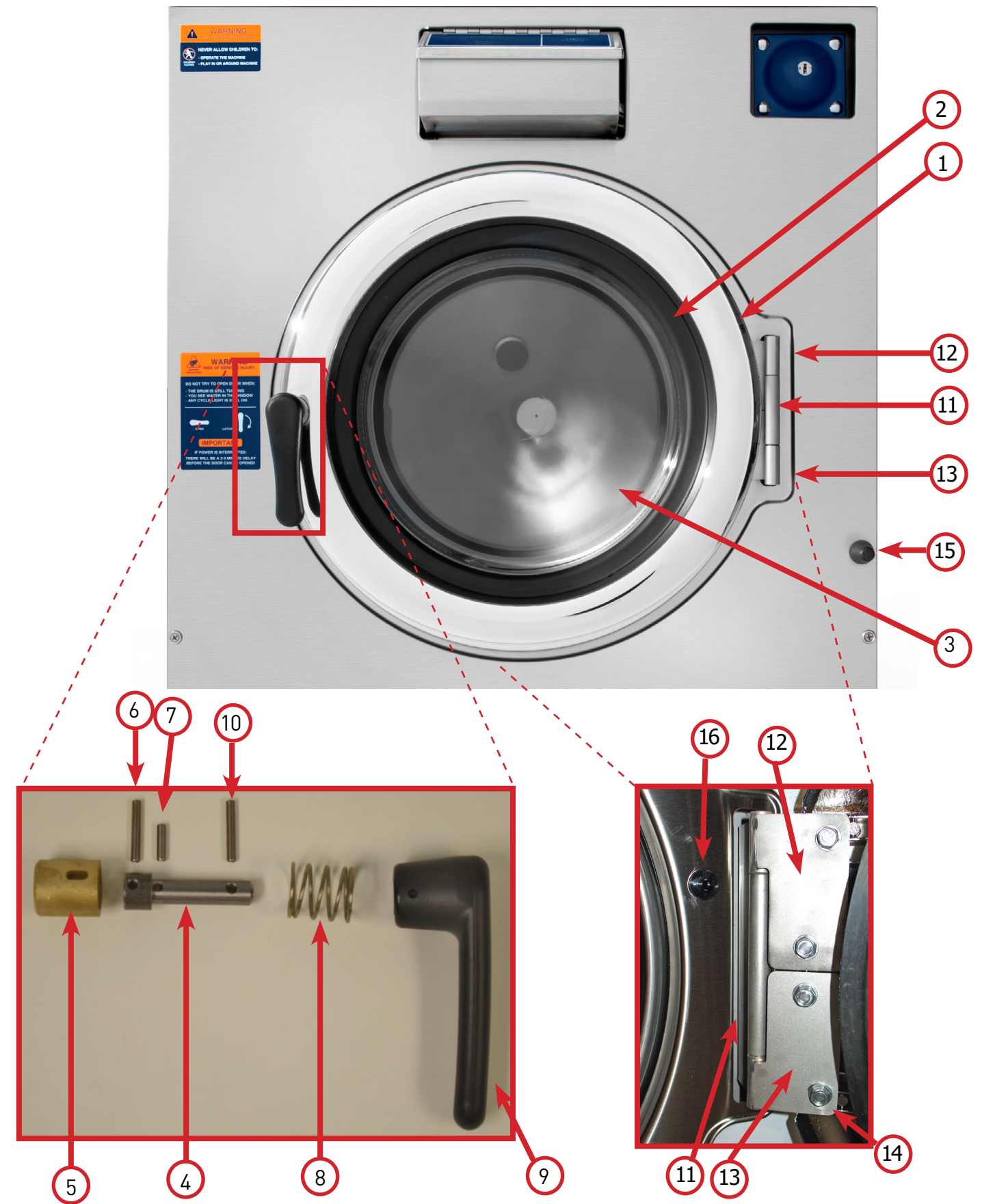
Key	Description	All Models	QTY
14	Ring, Retaining	9487-200-005	1
15	Washer	8641-581-031	1
16	Switch, Latching Sensing	9539-461-008	1
17	Shield, Switch	9550-169-003	3
18	Screw 4-40 x 5/8"	9545-020-001	2
18	Nut, Twin 4-40	8640-401-001	1
19	Switch, Locking Sensing	9539-461-007	2
20	Actuator, Switch Locking	9008-006-003	1
21	Screw 4-40 x 1 1/8"	9545-020-003	2
21	Nut, Twin 4-40	8640-401-001	1
*	Spacer Sensor	9538-182-001	*
22	Pin, Dowel (for door cam)	9451-181-004	1
*	Shim, Door Lock, Thin	9552-037-001	AR
*	Screw, Lock mtg 1/4"-20 x 3/4"	9545-018-014	3
*	Lockwasher 1/4" Ext tooth	8641-582-007	3
*	Door Stud Pin, 3/16" x 3/4"	9451-181-004	1



Loading Door Parts Group

Key	Description	T-1800	QTY
*	Complete Door Assembly (Includes #1-10)	9960-310-001	1
1	Ring, Loading Door	9487-275-001	1
2	Gasket, Loading Door	9206-431-001	1
3	Window, Loading Door	9635-020-001	1
*	Shaft Assembly (Includes #4-7)	9913-136-001	1
4	Shaft, Door Locking	9537-195-002	1
5	Cam, Locking	9095-051-001	1
6	Pin, Groove (1 1/4)	9451-181-005	1
7	Pin, Groove (3/4)	9451-181-004	1
8	Spring, Lock Cam	9534-360-002	1
9	Handle, Door	9244-091-001	1
10	Pin, Groove (Door Handle)	9451-181-005	1
11	Door Hinge Assembly (Mounts to Tub Front)	9955-031-001	1
*	Shim, Thin (Loading Door Hinge)	9552-043-001	3
*	Screw, Loading Door Hinge Mtg (5/16" x9/16" ss)	9545-014-009	3
*	Lockwasher, 5/16	8641-582-009	3
12	Leaf Assembly, Hinge-Top	9845-006-001	1
13	Leaf Assembly, Hinge-Bottom	9845-007-001	1
14	Thrd Form Screw, Door Mtg 5/16" x 5/8"	9545-056-002	4
15	Bumper, Loading Door	9051-055-001	1
16	Door Close Switch (Plunger)	9539-492-001	1

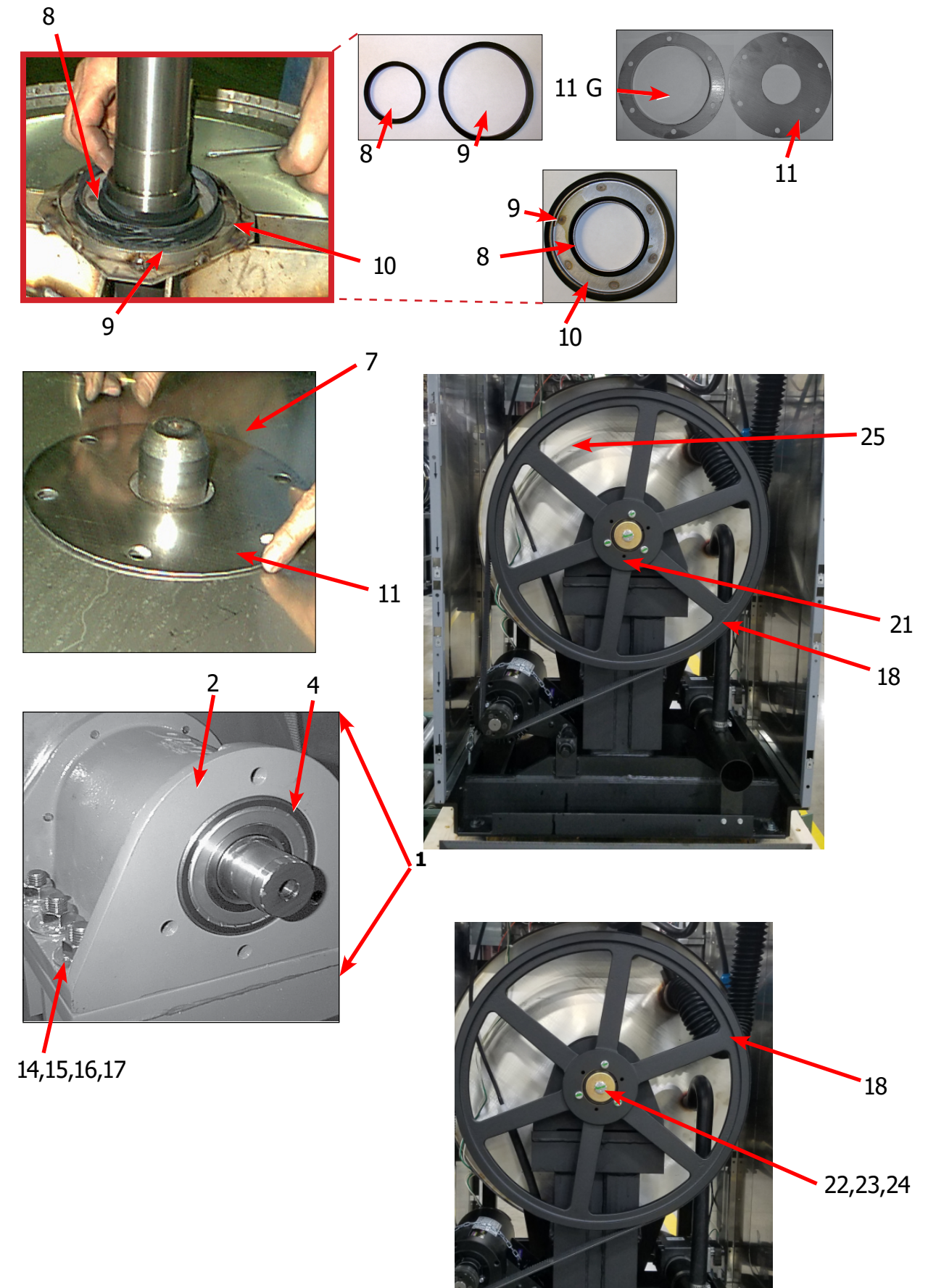
Loading Door Parts Group



Cylinder, Seals, & Bearings Parts Group

Key	Description	T-1800	QTY
*	Bearings and Seal Kit	9732-219-009	1
*	Housing, Bearing- Assembly (items #2-#6)	9803-209-001	1
2	Housing, Bearing	9241-195-003	1
3	Bearing, Front (Small)	9036-162-002	1
4	Bearing, Rear (Large)	9036-162-001	1
5	Spacer, Bearing	9538-185-001	1
6	Ring, Bearing Retainer	9487-238-004	1
8	Seal, Small V95A	9532-140-012	1
9	Seal, Large V140A	9532-140-008	1
10	Ring, Seal Mounting	9950-062-001	1
11	Tub Back Mating Ring	9487-261-005	1
11G	Mating Ring Guard Shield	9487-276-001	1
12	Bolt, Tub End of Bearing Housing (7/16-14x1), Bolt from inside Tub	9545-059-004	6
13	Washer, Flat	8641-581-034	6
14	Screw-Hex Cap, 7/8"-9 x 3 1/2" (Bearing Housing to Frame)	9545-066-001	6
15	Washers Spherical 7/8" (Male half) (Bearing Housing to Frame)	8641-588-003	6
16	Washers Spherical 7/8" (Female half) (Bearing Housing to Frame)	8641-588-004	6
17	Nut 7/8"-9 (Bearing Housing to Frame)	8640-437-001	6
18	Pulley, Driven	9453-176-006	1
19	Bolt, 3/8"-16 x 2"	9545-029-011	3
20	Washer, 3/8"	8641-582-003	3
21	Bushing Taperlock (Driven & Large)	9053-078-002	1
22	Washer-Flat .675x2-1/2x1/4	8641-581-044	1
23	Lockwasher-Exttooth, 3/4	8641-582-020	1
24	Bolt, 3/4-10x1 1/2	9545-057-004	1
25	Tub & Cylinder Assy	9869-046-001	1
*	Cylinder Assy	9848-170-001	1
*	Tub Front	9974-012-001	1
*	Gasket, Tub Front	9206-421-003	1
*	Ring Assy, Tub Mtg-Front Clamp	9950-061-001	1
*	Bolt, Top Front Ring 3/8"-16 x 3"	9545-029-009	1
*	Nut C Series 3/8"-16	8640-415-001	1

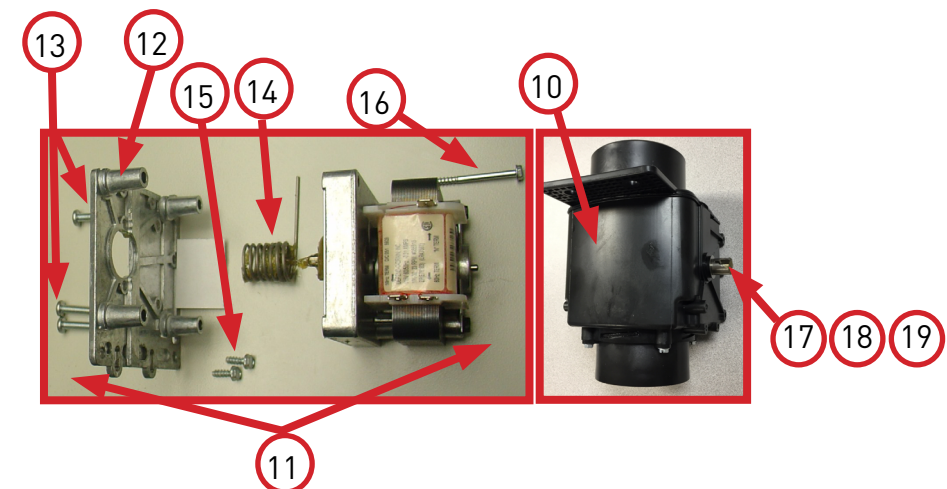
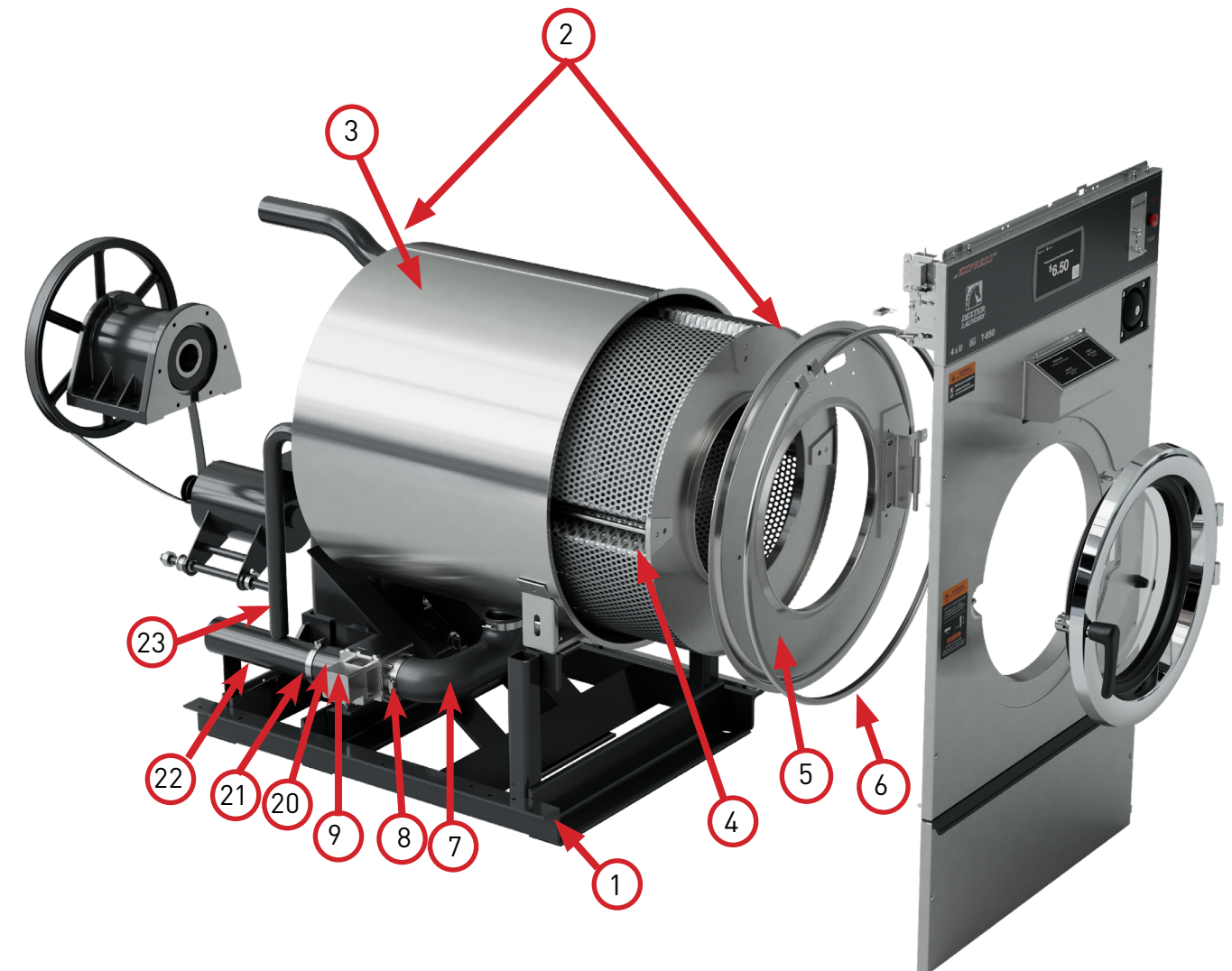
Cylinder, Seals, & Bearings Parts Group



Chassis & Drain Parts Group

Key	Description	T-1800	QTY
1	Base Frame Assembly	9945-158-002	1
2	Complete Tub and Cylinder Assembly	9869-046-001	1
3	Tub Assembly	9930-187-001	1
4	Cylinder Assembly	9848-170-001	1
5	Tub Front	9974-020-001	1
*	Gasket, Tub Front	9206-421-003	1
6	Ring Assy, Tub Mtg-Front Clamp	9950-061-001	1
*	Bolt, Top Front Ring 3/8"-16 x 3 1/2"	9545-029-009	1
*	Nut 3/8"-16	8640-415-001	1
7	Hose, Tub to Drain Valve	9242-457-002	1
8	Hose Clamp (Tub to Drain Valve)	8654-117-014	2
9	Drain Valve (60Hz Only) (Includes #12-21)	9379-202-001	1
9	Drain Valve (50Hz Only)	9379-202-002	1
10	Body, Valve (w/ Ball)	9064-072-001	1
11	Motor & Gear Train (Complete) (60Hz Only)	9914-137-023	1
11	Motor & Gear Train (Complete) (50Hz Only)	9914-137-022	1
12	Plate, Motor Mtg.	9452-538-001	1
13	Screw, Mtg.	8639-994-001	4
14	Spring, Drive	9534-339-001	1
15	Screw	9545-054-001	2
16	Screw	9545-054-002	1
17	Seal, V Packer	9532-134-001	1
18	Washer	8641-584-001	1
19	Pin, Main Drive	9451-196-001	1
*	Plate (Spacers Needed for Replacing Motor Mtg. Plate)	9538-149-001	1
*	Kit, Seal Replacement	9732-327-001	1
20	Hose, Drain Valve to Tube	9242-459-001	1
21	Hose Clamp (Drain Valve to Tube)	8654-117-014	2
22	Drain Tube Assembly	9915-129-002	1
*	Screw (Drain Tube Bracket to Base) 1/4Bx3/4	9545-030-002	2
23	Hose, Overflow Suds	9242-463-006	1
*	Clamp, Overflow Hose	8654-117-018	1
*	Fill Hose, Vacuum Breaker to Tub	9242-458-003	1
*	Hose, Pressure Switch	9242-175-003	1
*	Clamp, Pressure Switch Hose	8654-117-015	1

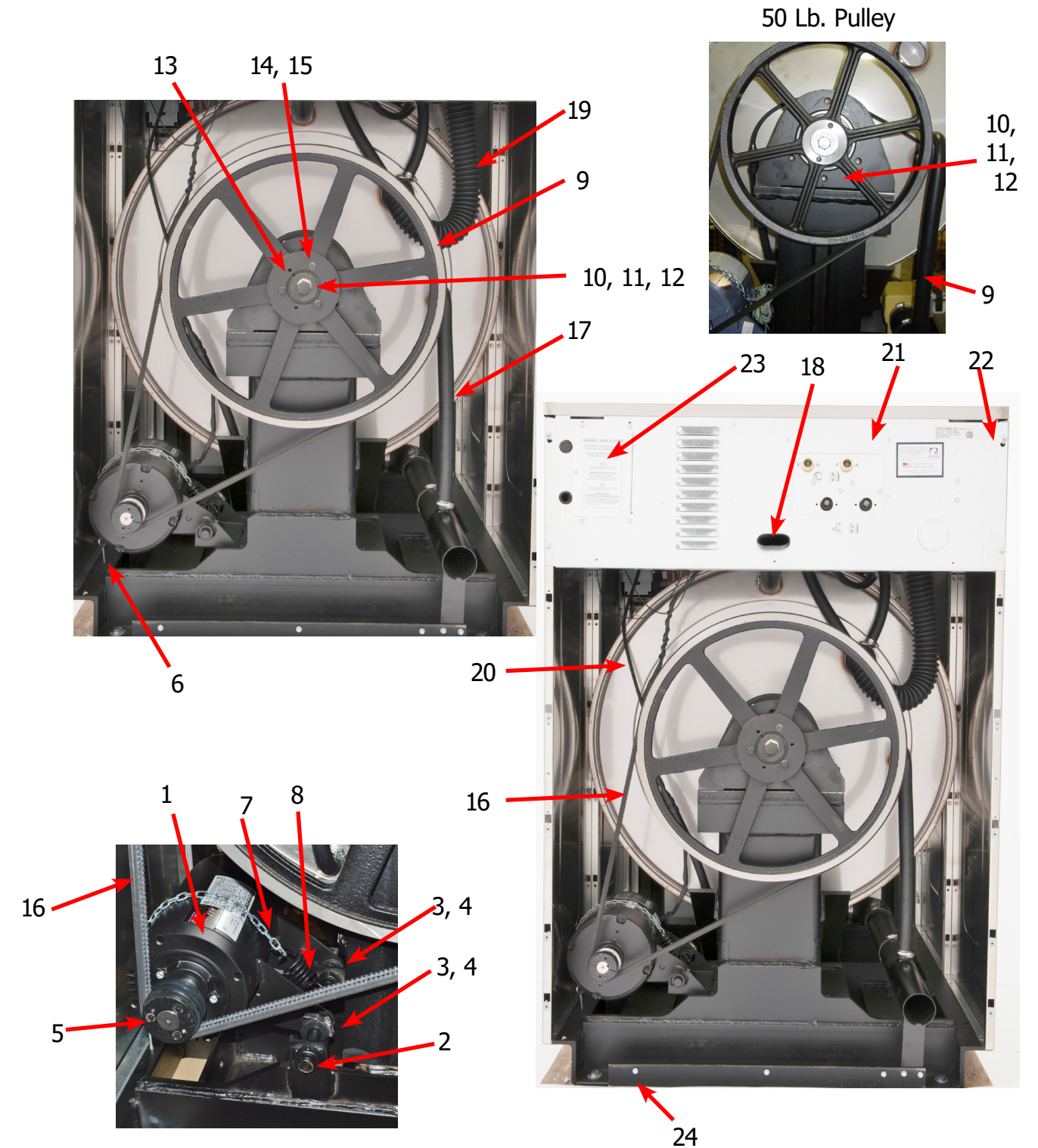
Chassis & Drain Parts Group



Rear View Parts Group

Key	Description	T-1800	QTY
1	Drive Motor, 3 Phase	9376-328-001	1
2	Rod, Motor Mtg	9497-222-004	1
3	Motor-Bushing, Support	9053-074-002	2
4	Clamp for motor bushing	8654-117-019	2
5	Pulley, Motor	9453-175-002	1
5	Split TaperBushing (motor pulley)	9053-077-001	2
*	Screw taper bushing 1/4-20x1	9545-018-024	3
6	Bolt, Eye (1/4"-20x1/2")	9545-055-001	1
*	Nut, 1/4 Elastic Stop	8640-414-003	1
*	Link (open end)	9341-046-001	1
7	Chain (Spring Tension)	9099-012-004	1
8	Spring, Belt Tension	9534-369-001	1
9	Pulley, Driven	9453-176-006	1
10	Washer-Flat .675x2-1/2x1/4	8641-581-044	1
11	Lockwasher-Exttooth, 5/8	8641-582-020	1
12	Bolt, 3/4-11x1 1/2	9545-057-004	1
13	Bushing Taperlock (Pulley)	9053-078-002	1
14	Bolt, 3/8"-16 x 2"	9545-029-011	3
15	Washer, 3/8"	8641-582-003	3
16	Drive Belt	9040-079-006	1
17	Hose, Overflow to drain	9242-449-005	1
*	Clamp, Hose overflow to drain	8654-117-018	2
18	Hose, Overflow Vent Top	9242-463-006	1
*	Clamp, Hose Vent	8654-117-008	1
*	Vaccum Breaker ALL	9610-001-001	1
*	Clamp, Hose to Vacuum Breaker	8654-117-014	2
19	Hose, Vacuum Breaker to tub	9242-458-003	1
*	Vaccum Breaker Bracket	9029-266-001	1
20	Hose, Pressure Switch	9242-175-003	1
*	Clamp, Pressure Switch Hose	8654-117-015	1
21	Channel, Rear,	9947-055-001	1
22	Screw #10Bx1/2	9545-008-026	4
*	Nut, Spring	8640-442-001	4
23	Cover, Terminal Block	9074-267-001	1
*	Screw #10Bx1/2	9545-008-026	1

Rear View Parts Group

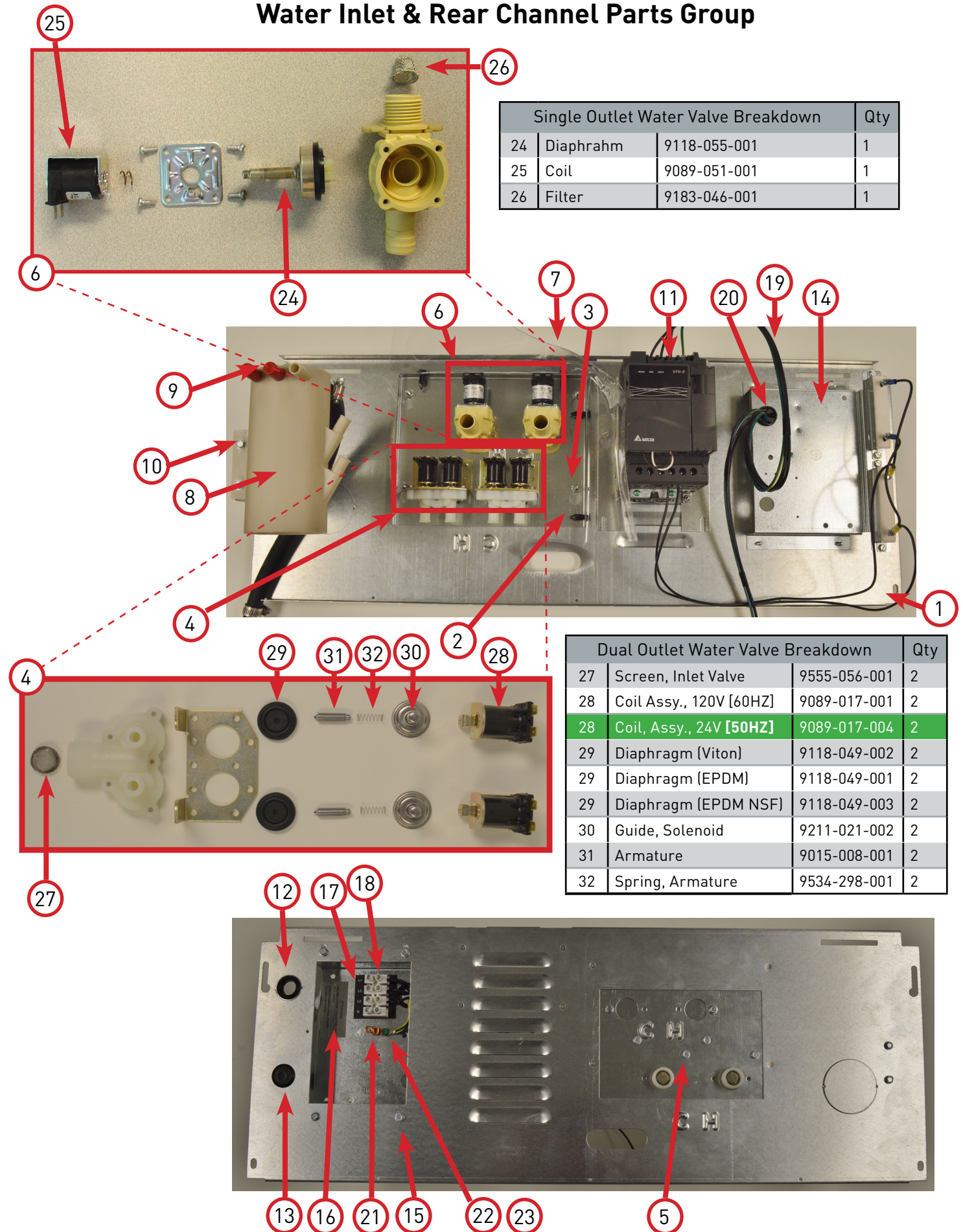


Key	Description	T-1800	QTY
*	Panel Assy., Back, Upper	9454-873-001	1
*	Panel Assy., Back, Lower	9989-872-001	1
*	Screw Panel Mtg.#10Bx1/2"	9545-008-026	13
*	Nut, Spring	8640-442-001	AR
28	Screw, To Base-1/4" x 3/4"	9545-030-002	3

Water Inlet & Rear Channel Parts Group

Key	Description	T-1800	QTY
1	Rear Channel	9947-029-001	1
*	Screw, #10B x 1/2	9545-008-026	6
*	Clip, Spring	8640-399-004	6
2	Mounting Plate Water Valves	9452-813-001	1
3	Nut-Elastic stop, #10-32	8640-413-002	2
4	Valve, Water Inlet (dual outlet) [60HZ]	9379-183-012	2
4	Valve, Water Inlet (Dual Outlet) [50HZ]	9379-183-013	2
5	Screw, Valve Mtg	9545-008-026	4
6	Valve, Water Inlet (Single Outlet) [60HZ]	9379-194-001	2
6	Valve, Water Inlet (Single Outlet) [50HZ]	9379-194-003	2
*	Wire-Assy, Jumper, Yellow	8220-123-001	1
7	Shield over Water Valves Plastic	9550-195-001	1
*	Push Clip	9083-121-001	2
8	Vacuum Breaker	9610-001-001	1
*	Bracket, Vacuum Breaker	9029-077-001	1
9	Vacuum Breaker Cap (Red)	0935-135-002	*
10	Screw, #10B x 1/2	9545-008-026	4
*	Clamp, Hose to Vacume Braker	8654-117-014	1
*	Hose, Vacuum Breaker to Tub	9242-458-003	1
*	Clamp, Tub End	8654-117-009	1
*	Hose, Valve to Vac. Braker	9242-453-020	4
*	Clamp, Hose-Worm	8654-117-015	12
*	Hose, Overflow Suds	9242-463-004	1
*	Clamp, Hose-Spring (overflow to tubback)	8654-117-018	2
*	Plate Assembly, Drive Mounting	9452-848-001	1
*	Nut-#10-32UNF, 2B	8640-413-002	4
11	VFD Delta MS300	9375-039-003	1
*	Key Pad-Display Delta MS300	9150-058-001	1
*	Cable-Data, Communication	9806-023-005	1
12	Bushing, 7/8	9053-067-002	1
13	Plug, 7/8	9456-041-006	1
14	Bracket, Terminal-Mounting	9029-326-001	1
15	Screw, #10-32 TTX 1/2 GRN	9545-008-027	1
16	Label-Warning	8502-639-001	1
17	Strip-Terminal Marker	9558-025-001	1
18	Terminal Block	9897-033-002	1
*	Screw-Phillips, 6ABx3/4	9545-031-010	2
19	Harness-Power, Terminal Block	9627-932-001	1
19	Harness, Term Block, Non-Htd [50HZ]	9628-001-001	1
20	Bushing, 1"	9053-067-004	1
21	Terminal Lug, Solderless	8652-134-001	1
22	Lock-Washer Exttooth #10	8641-582-006	1
23	Screw, #10-32 TTX 1/2 GRN	9545-008-027	1

Water Inlet & Rear Channel Parts Group

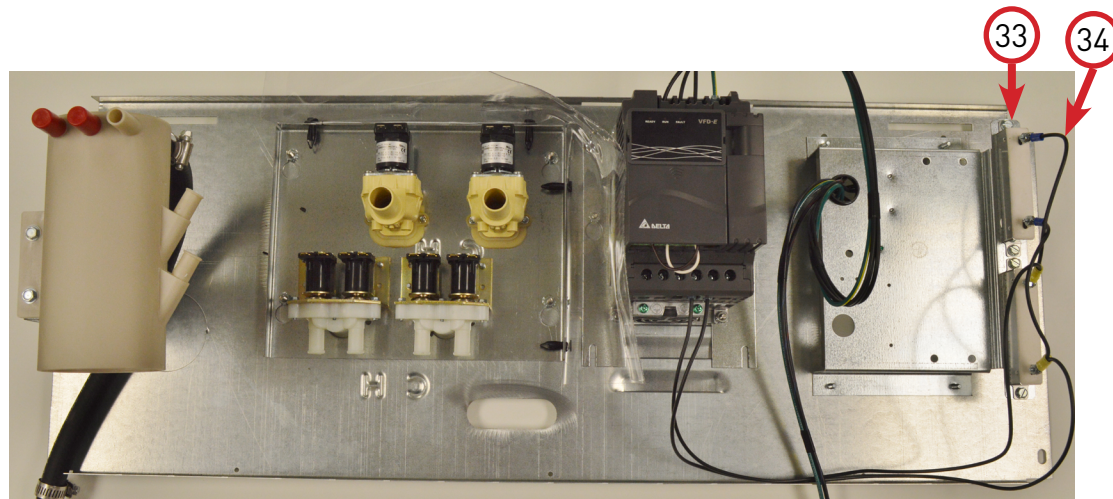


Single Outlet Water Valve Breakdown			Qty
24	Diaphragm	9118-055-001	1
25	Coil	9089-051-001	1
26	Filter	9183-046-001	1

Dual Outlet Water Valve Breakdown			Qty
27	Screen, Inlet Valve	9555-056-001	2
28	Coil Assy., 120V [60HZ]	9089-017-001	2
28	Coil, Assy., 24V [50HZ]	9089-017-004	2
29	Diaphragm (Viton)	9118-049-002	2
29	Diaphragm (EPDM)	9118-049-001	2
29	Diaphragm (EPDM NSF)	9118-049-003	2
30	Guide, Solenoid	9211-021-002	2
31	Armature	9015-008-001	2
32	Spring, Armature	9534-298-001	2

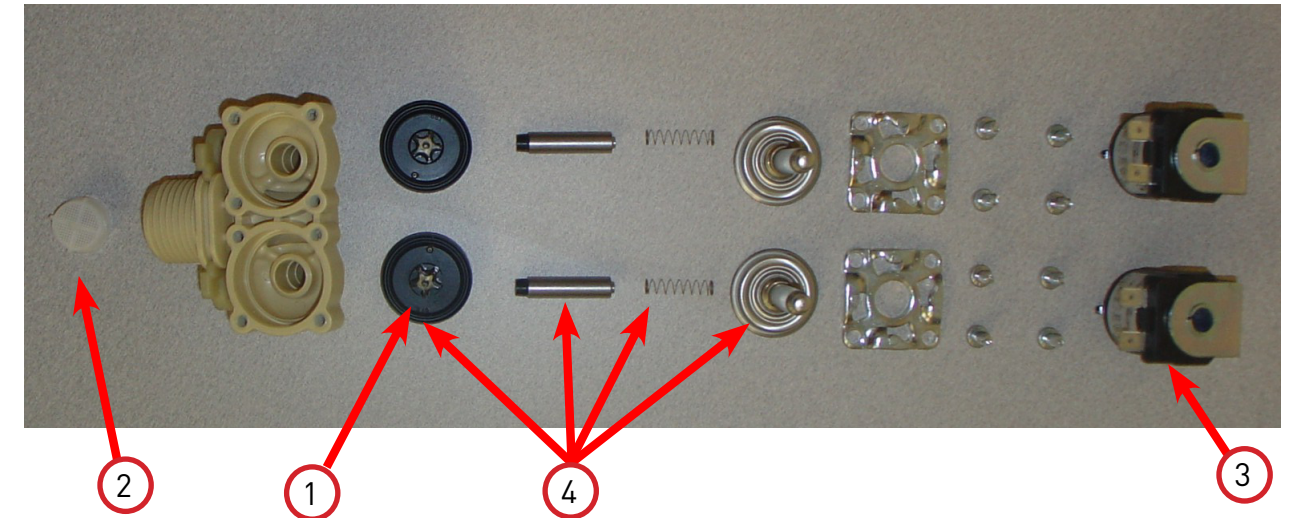
Water Inlet & Rear Channel Parts Group Continued...

Key	Description	T-1800	QTY
33	Braking resistors (160 ohm)	9483-004-003	2
*	Screw, #6-32x5/16	9545-044-006	4
34	Wire Assy, Jumper	8220-117-002	2
*	Nut, #6-32	8640-411-003	4
*	Control Covers	9074-267-001	1
*	Screw-#10Bx1/2	9545-008-026	1



Description	T-1800
9242-453-009 Hose-water,23" 1/2 I.D	3
9242-453-020 Hose-water,18" 1/2 I.D	2
9242-453-024 Hose-water,37" 1/2 I.D	1
9242-453-022 Hose-water,43" 1/2 I.D	1
9242-466-003 Hose-water,25" 7/8 I.D	2
0935-135-002 Fill Cap, (Red)	3
8615-118-001 Fitting-Cross, 1/2"	1
8654-117-015 Clamp 1" SS	14
8654-117-017 Clamp 1 1/4" SS	4

Water Inlet & Rear Channel Parts Group Continued...

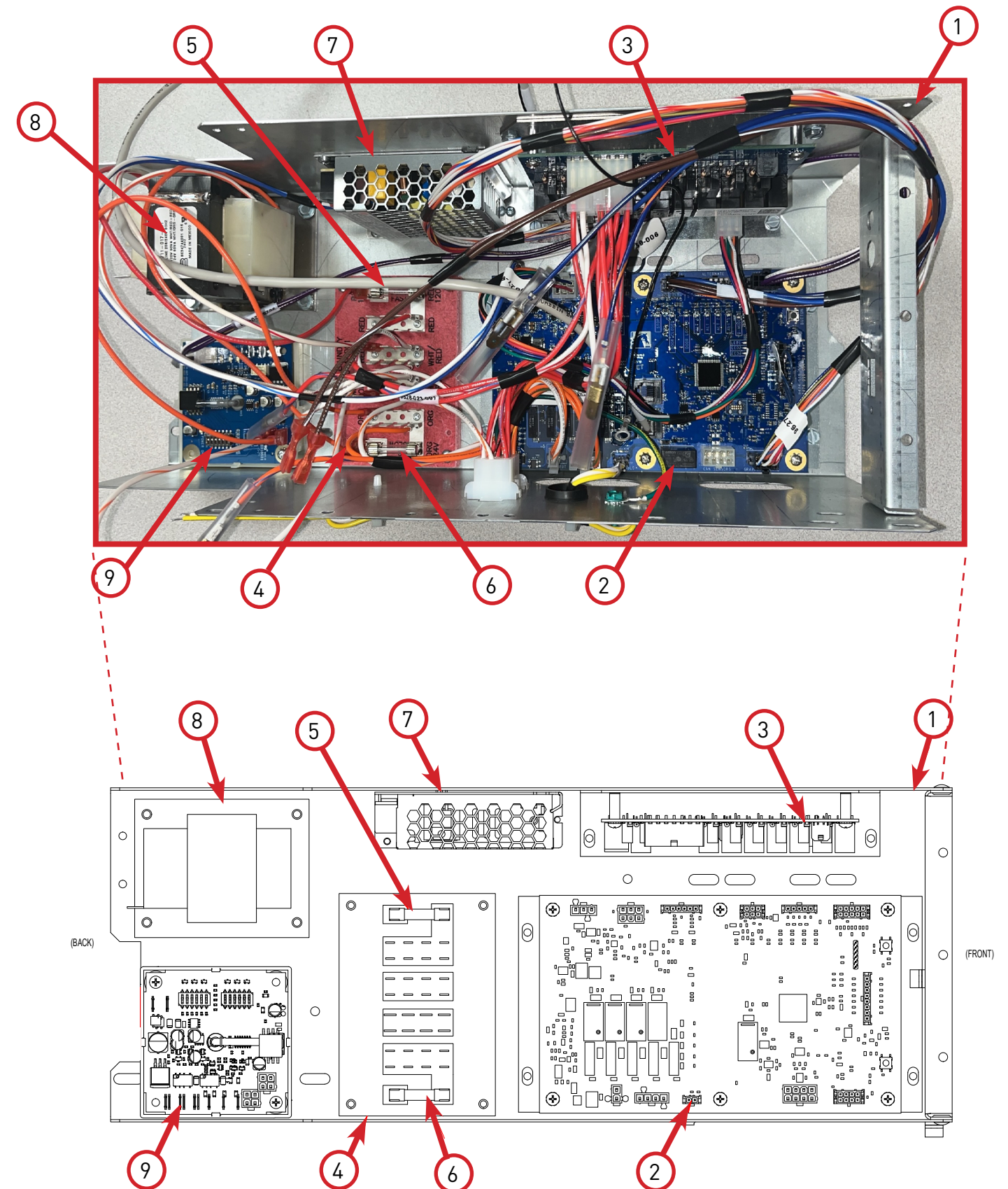


Optional Water Valve Parts Breakdown			
Key	Description	T-1800	QTY
*	Dual Coil Water Valve Mueller	9379-192-001	1
1	Diaphragm Mueller	9118-054-001	2
2	Filter Mueller	9183-046-001	2
3	Coil Mueller	9089-051-001	2
4	Diaphragm Assembly Mueller Includes	9785-001-001	2

Electrical Components Parts Group

Key	Description	T-1800	QTY
*	Complete Control Trough Assembly	9857-287-001	1
1	Control Trough	9575-045-001	1
2	Control PCB Board	9799-029-001	1
3	Relay PCB Board	9799-030-001	1
4	Pwr. Dist. Terminal Block Assembly	9897-044-001	1
5	1.5 Amp Fuse	8636-018-001	1
6	2.0 Amp Fuse	8636-018-005	1
*	Screw-#8ABx1/2	9545-045-012	4
7	Power Supply-12VDC	9150-054-001	1
*	Screw-6Bx3/8	9545-031-005	2
8	Transformer	8711-017-001	1
*	Screw-#10Bx1/2	9545-008-026	4
*	Lockwasher-Exttooth, #10	8641-582-006	4
9	Water Pressure Sensor	9474-007-001	1
*	WPS Support	9548-292-001	1
10	Wiring Harness, Relay. 15-pin (60Hz Only)	9628-023-001	1
10	Wiring Harness, Relay, 15-Pin (50Hz Only)	9628-028-001	1
11	Data Cable Assembly	9806-023-005	1
12	Wiring Harness, Cntrol/Relay	9627-921-001	1
13	Wiring Harness, Power Supply	9627-923-001	1
14	Wire Assembly, ORG	8220-062-052	1
15	Wire Assembly, WHT/ORG	8220-062-053	1
*	Wiring Harness, Ctrl/Graphics	9627-922-002	1
*	Wiring Harness, Door/E-Stop	9628-022-001	1
*	Cable Clamp	8654-125-005	1
*	Screw-8Bx1/4	9545-045-001	1
*	Wiring Harness, WPS	9628-020-001	1
*	Model ID Jumper Wire	8220-158-031	1
*	Relay Jumper Wire Assembly	8220-159-006	1
*	Screw-10-32TTx1/2GRN	9545-008-027	2
*	Wiring Harness, VFD Enable	9628-021-001	1

Electrical Components Parts Group



Control Panel Parts Group

Key	Description	T-1450	QTY
1	Control Panel	9989-723-001	1
2	Door Locking Actuator Assembly (60Hz Only)	9982-015-003	1
2	Door Lock Actuator Assembly (50Hz Only)	9892-015-002P	1
3	Display Control Board Assembly	9857-289-003	1
4	USB Cable Assembly	9806-022-001	1
5	Display Protector Window	9635-025-001	1
6	PCB Plastic Shield	9550-201-001	1
7	Screw-PNHDTORX, 4Bx5/8,CHR	9545-053-002P	6
8	Screw-FIHDCR,#10Bx5/16	9545-008-023P	2
9	Spacer, Plastic, #8x5/16	9538-157-020P	2
10	Retainer, USB	9486-159-001	1
11	Retainer, Dual Coin Acceptor	9486-149-001P	2
12	Post, Top Locator	9467-024-001	2
13	Plate, Stop Button Mounting	9452-725-001	1
14	Plate, Top Latch	9452-625-001	1
15	Locator, Panel	9355-001-001	2
16	Button, E-Stop w/o Latching	9035-061-001	1
17	Electronic Coin Acceptor	9021-077-001	1
18	Nut-HEXKEPS, 10-32	8640-413-002P	4
19	Nut-NEXKEPS,#8-32	8640-412-005P	10
20	Nut, HEXKEPS,#6-32	8640-411-003P	2
21	Nameplate, Blue	9412-270-002	1
21	Nameplate, Black	9412-270-001	1

Control Panel Parts Group

