

A
B
C
D
E
F
G
H
I
J
K
L
M

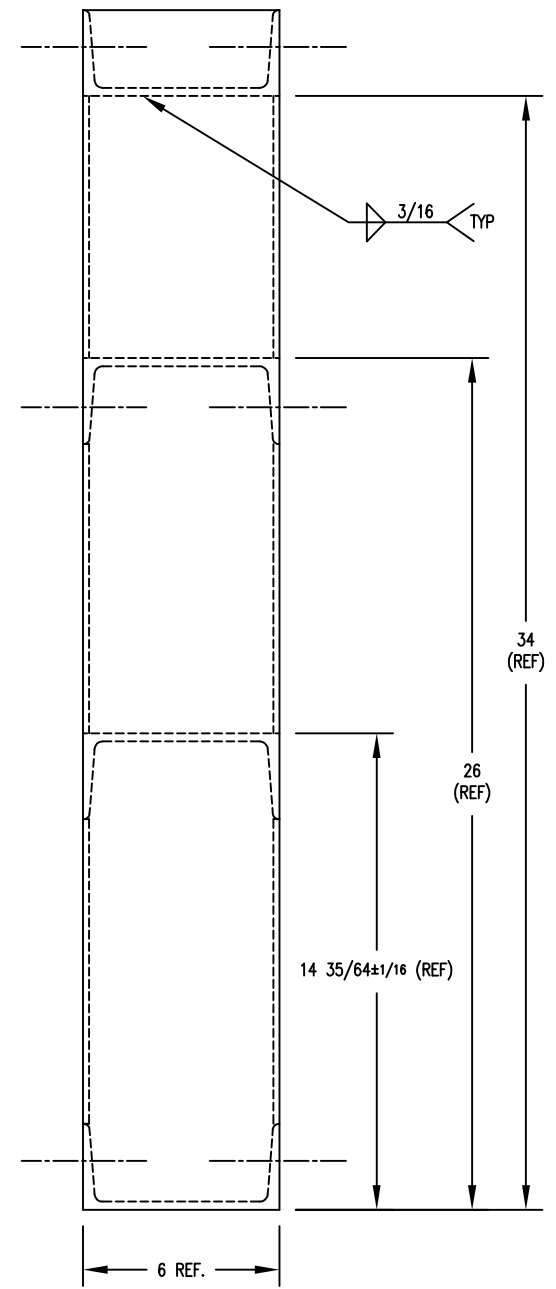
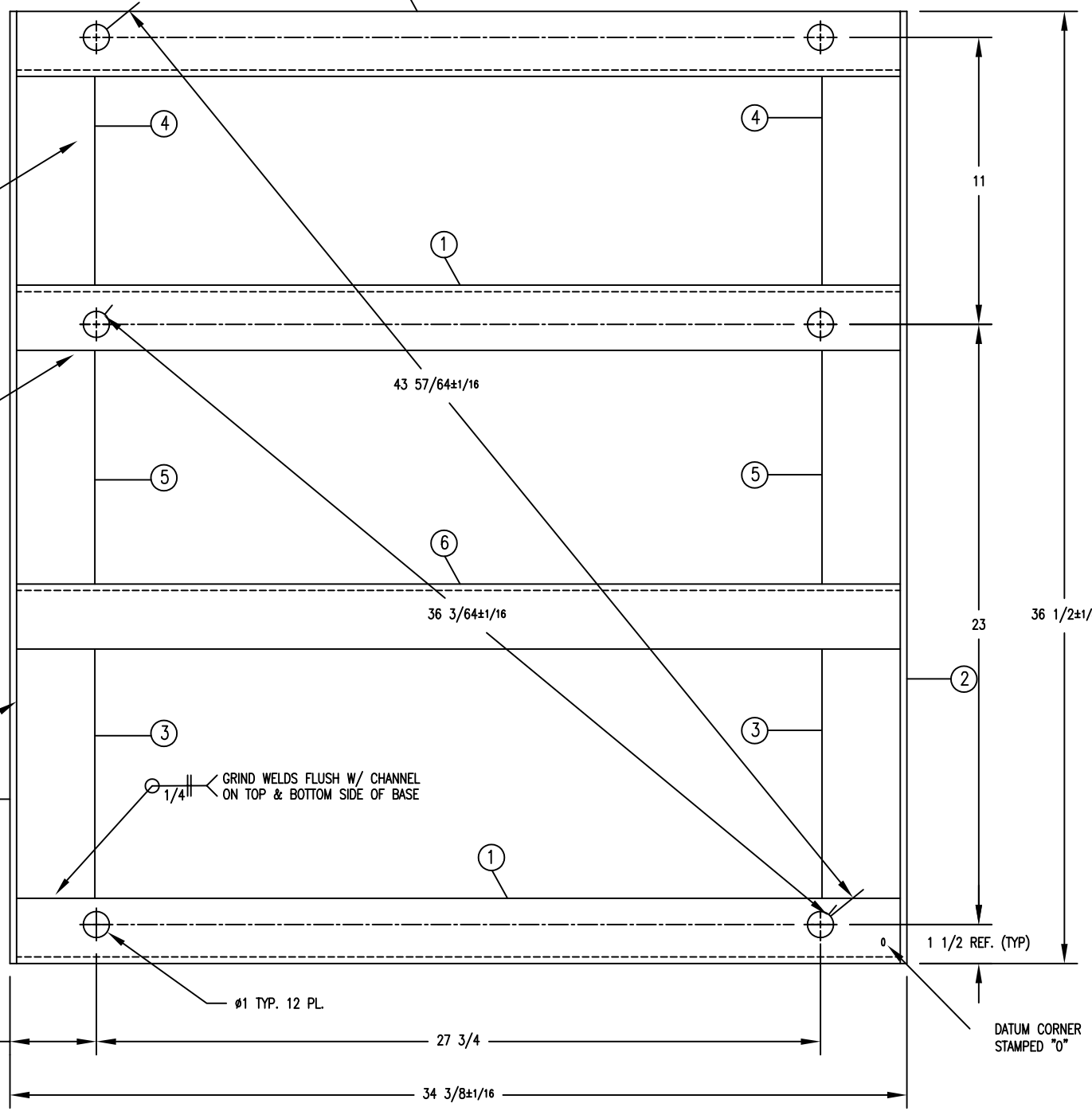
3/16 X 3 X 8 LG STEEL TYP 4 PL.
ON BOTH SIDES. PLATES
FLUSH W/ SURFACES

TYP 4 PL 3/16

TYP 4 PL 3/16 || 2-4

1	CHANNEL GROUT PLATE	6	MC6 X 12#/FT. STEEL CHANNEL @ 33.875"
4	FILLER MIDDLE TOP & BOT LH/RH	5	3" X 3/16" HR STEEL FLATBAR @ 8.89"
4	FILLER BACK TOP & BOT LH/RH	4	3" X 3/16" HR STEEL FLATBAR @ 7.94"
4	FILLER FRONT TOP & BOT LH/RH	3	3" X 3/16" HR STEEL FLATBAR @ 9.49"
2	FILLER PLATE L/H R/H	2	1/4" X 6" HR STEEL FLATBAR @ 36.44"
3	CHANNEL FF/MID/RR	1	MC6 X 12#/FT. STEEL CHANNEL @ 33.875"
QTY	PART NO.	ITEM	DESCRIPTION
BASE-ASS'Y-1 PLACE, 6"			

REV	REVISIONS	APP	DATE	BY	CHKD	DATE	BY
PR	REL FOR PROD: 9945-118-001 EON 19167		8/29/02	MM			
A	UPDATED VIEWS TO SHOW WELD BEGS. REVISED NOTES AND MOVED PARTS LIST UNTER TOP VIEWS. EON 000032		9/23/08	KLL			
B	RWLD DEC DIMS 25.75 @ K-8, 34.75 @ L-8 & 34.5 @ H-14. CHGD PRIMER FROM GRAY TO BLACK IN TITLE BLOCK. EON 001284		1/10/12	TWH			
C	CORRECTED SIZE VIEW & REF DIMS. ADD 33.875" LG FOR IT #1 IN TABLE. CORRECTED ITEM NUMBERS. EON 003889		04/19/18	SC			
D	ADD ITEMS 5 & 6 TO PARTS LIST @ H-6. ADD CHANNEL @ G-5. CHG LENGTH OF ITEM 3 TO 9.49" FROM 20.94". EON 004375		12/5/19	CM			



9945-118-001		BASE ASSY-1 PLACE, 6"	
PART NO.		DESCRIPTION	
DEXTER LAUNDRY, INC.			
FAIRFIELD, IOWA			
NAME BASE ASSY-1 PLACE, 6"			
MATERIAL		USED ON 60# COML WSHR REFERENCE	
FINISH 1 COAT BLACK PRIMER			
SPECS.			
DISTRIBUTION	DRAWN R.MACK DATE 08/27/02 SCALE 1/4	CHECKED	APP. DWG. NO. 9945-118