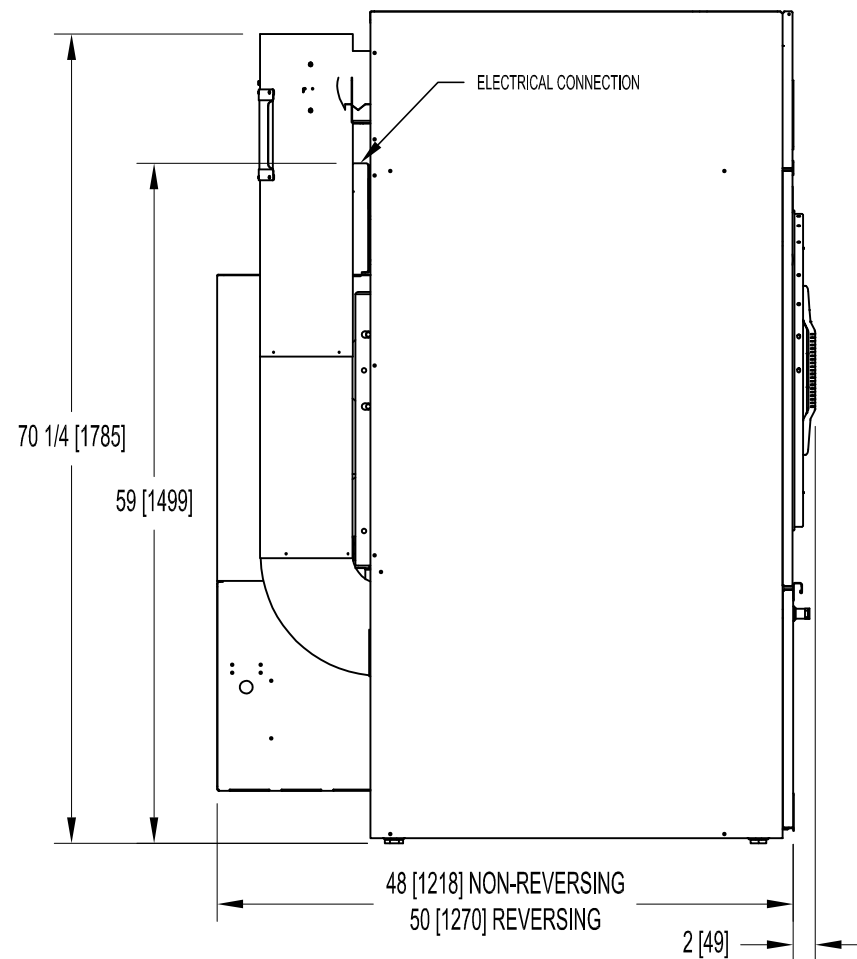
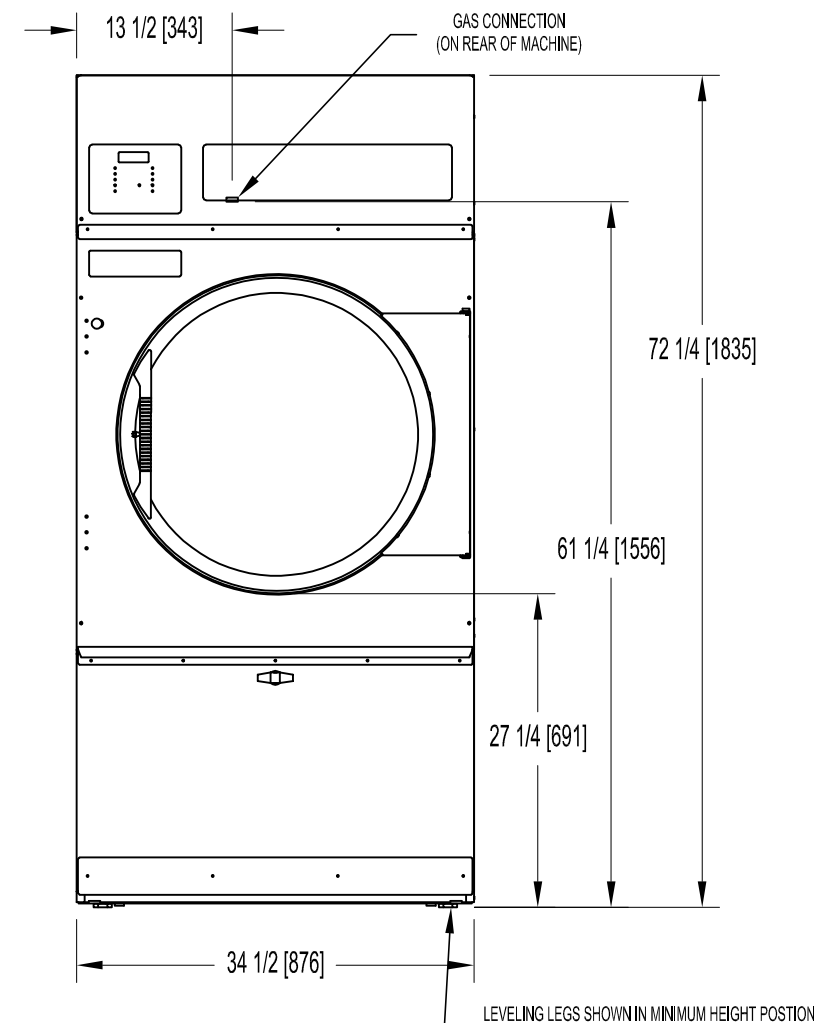


TOP

T-50 INDUSTRIAL 6-CYCLE DRYER INSTALLATION DIMENSIONS



SIDE



FRONT