
Section 11:

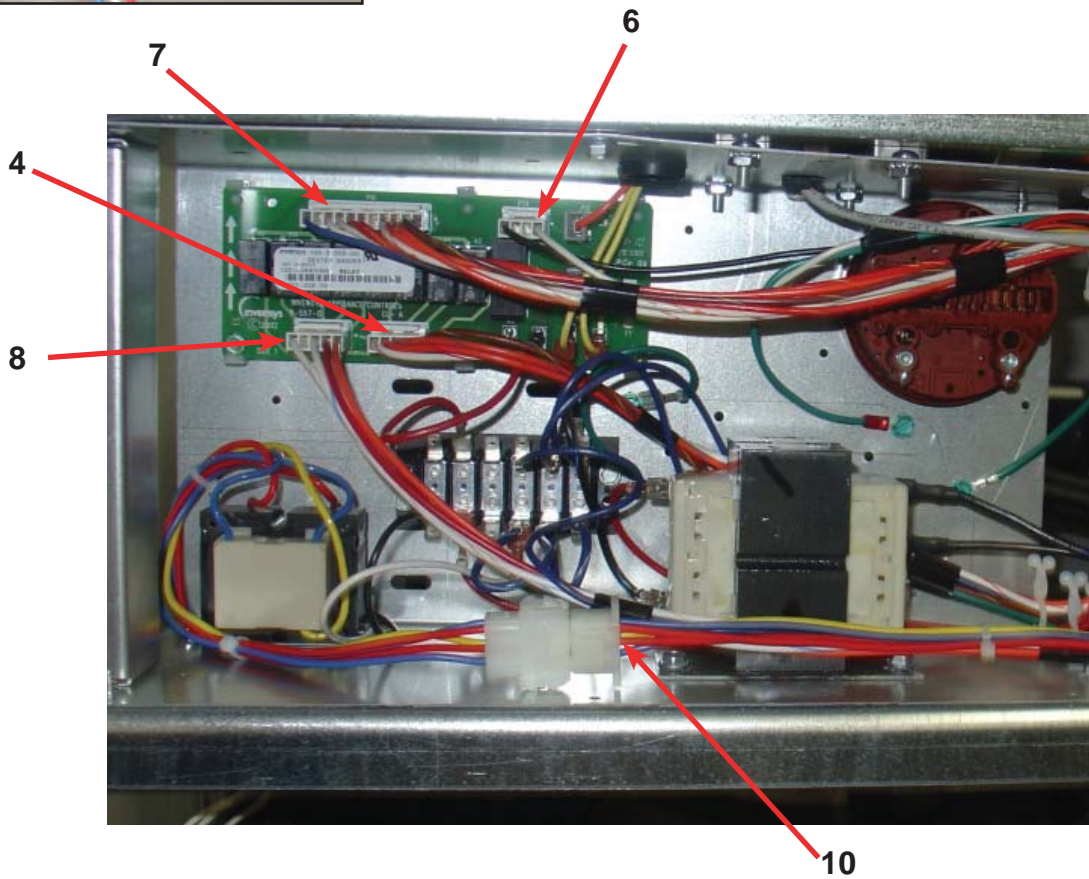
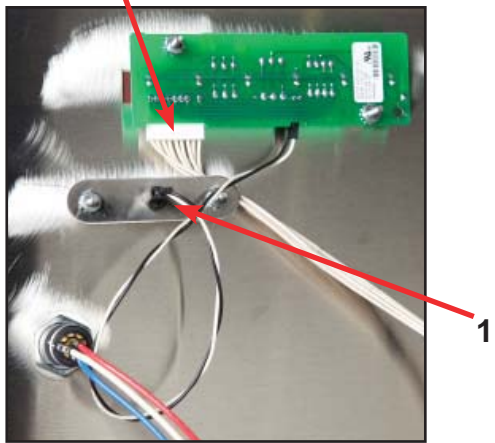
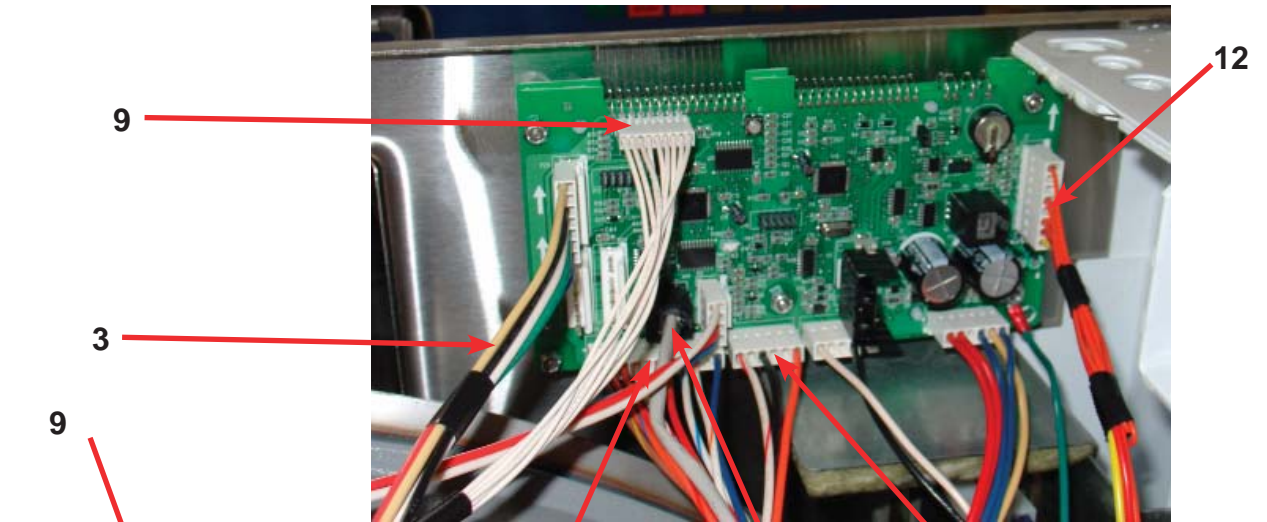
Washer Parts

SWD OPL V-Series Accessories

Key	Description	Part Number	Qty
*	Mounting Base 4"	9945-110-001	1
*	Mounting Base 6"	9945-111-001	1
*	Bevel Washer for 5/8" bolt used in installations using angle iron bases	8641-586-002	4
*	Bevel Washer for 3/4" bolt used in installations using angle iron bases	8641-586-003	4
*	Kit, Door Gasket Expander (large)	9732-139-002	1
*	Kit, Door Gasket Expander (small)	9732-139-001	1
*	Hose, Water Supply 3/8" I.D. x 48"	9990-027-011	2
*	Washer, Inlet Hose (furnished)	8641-242-000	1
*	Strainer, Inlet Hose (furnished)	9565-003-001	1
*	Sealing compound	8538-151-001	1
*	Flow Restrictors (in dispenser)	9475-002-003	3
*	Battery 3V Lithium (used on Control PCB)	8612-001-001	1

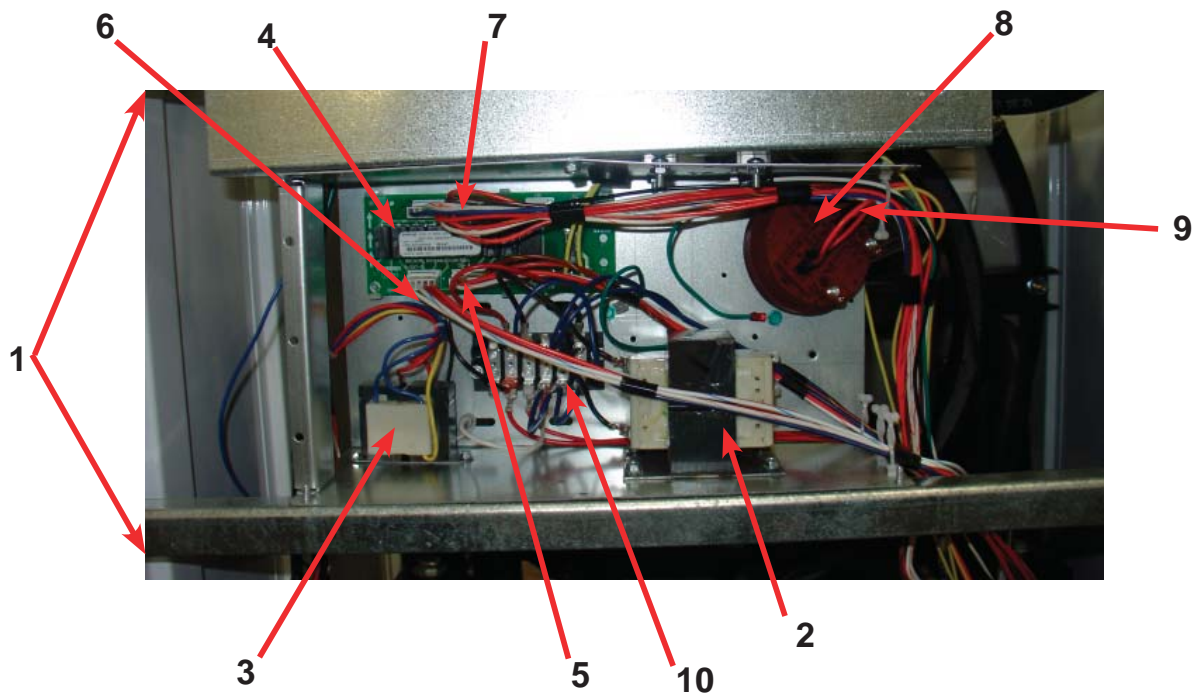
WSVD Wiring Harnesses Parts

Key	Description	Part Number	Qty
1	Add Bleach Light, (Wiring Harness included)	9794-001-001	1
2	Wiring Harness, Door Lock P15/P4	9627-816-002	1
3	Wiring Harness, Optional Relay Board (Soap Injection)	9627-835-002	1
*	Wiring Harness, Optional Relay Board to Soap Injection terminal block	9627-799-002	1
4	Wiring Harness, Drain,Thermo,DoorSol P17	9627-820-001	1
5	Data Cable	9806-015-002	1
6	Wiring Harness P20/P21	9627-818-001	1
7	Wiring Harness P8/P16	9627-819-001	1
8	Wiring Harness WaterValve/P19	9627-795-004	1
9	Wiring Harness LED PCB	9627-821-001	1
*	Wire Yellow Jumper (water valve)	8220-123-001	1
*	Harness Power Terminal Block	9627-747-002	1
10	Harness-Extention, Transformer	9627-826-001	1
12	Harness-P5/Pressure Switch	9627-823-001	1
*	Fuse-1.5a	8636-018-001	1
*	Fuseholder-Assembly	9200-001-002	1
*	Circuit Breaker (optional) 1.5 AMP	5198-211-004	1
*	Wiringlabel-schematic	9506-024-001	1
*	Wiringlabel-diagram	9506-023-001	1



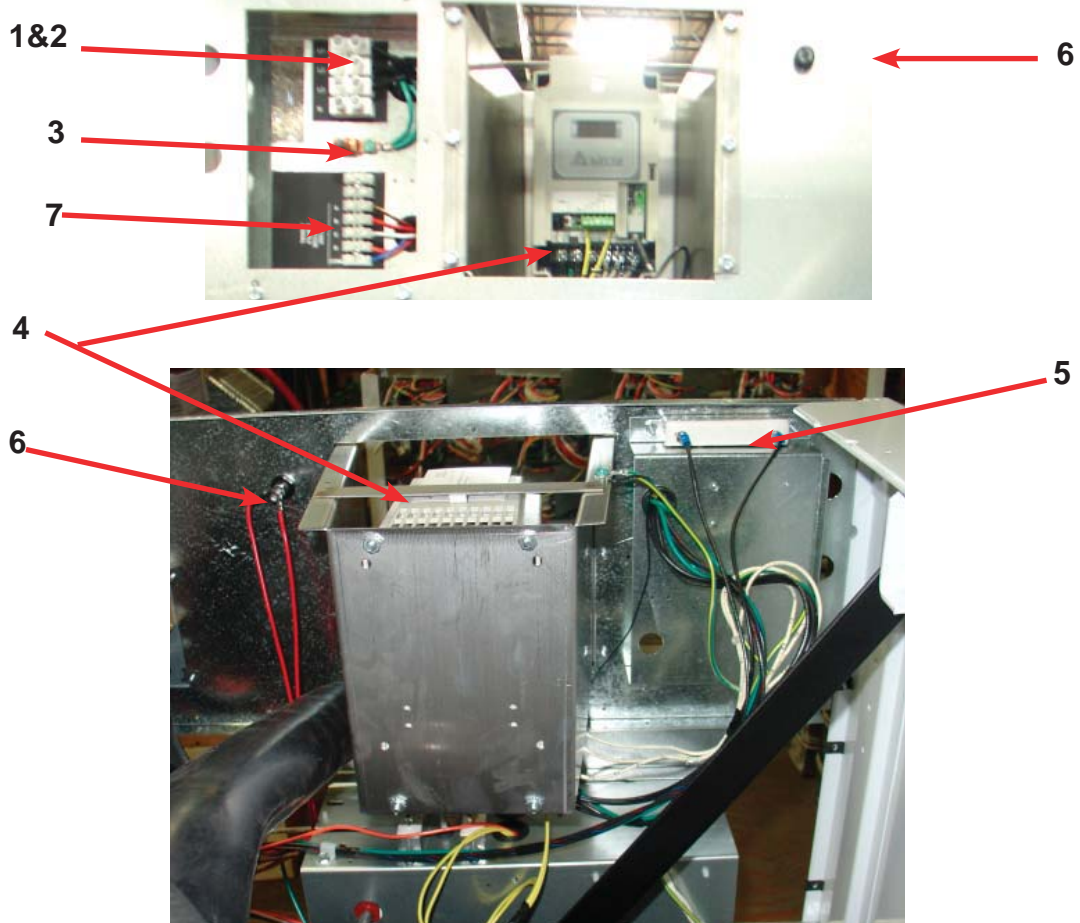
WSVD Electrical Components, Control

Key	Description	Part Number	Qty
1	Trough Assy,Controls 208-240 volt	9857-156-002	1
	Trough only	9839-015-001	1
2	Transformer, Control (208/230/60 Hz In 115,150VA Out Volts)	8711-004-001	1
*	Wire Assembly, Red 28"	8220-062-025	2
*	Screw, #10B x 1/2	9545-008-026	4
*	Lockwasher Exttooth #10	8641-582-006	4
*	Wire Assembly, BLK/BLU	8220-001-231	1
*	Wire Assembly-Jumper, BLU/WHT	8220-090-009	1
3	Transformer, Step Down (120VAC In, Sec-1, 24.3, Sec-2, 2.3VAC)	8711-010-001	1
*	Harness-extention, Transformer	9627-826-001	1
*	Screw, 8B x 1/4	9545-045-001	2
*	Lockwasher-External Tooth, #10	8641-582-005	2
*	Wire Assembly, P12, Red 7"	8220-381-018	1
4	PCB assembly Relay Main	9473-006-001	1
*	Wiring Harness, Door Lock P15/P4	9627-816-002	1
*	Wiring Assembly Yel. 32" P14 & P13	8220-064-023	2
5	Wiring Harness, Drain,Thermo,DoorSol P17	9627-820-001	1
6	Wiring Harness WaterValve/P19	9627-795-004	1
7	Wiring Harness P8/P16	9627-819-001	1
*	Wiring Harness P20/P21	9627-818-001	1
8	Pressure Switch	9539-490-001	1
9	Harness Assembly, Pressure Switch	9627-823-001	1
10	Terminal Block Assy, POWER	9897-034-001	1
*	Screw, Mtg 8Bx3/4"	9545-045-007	2
*	Strip, Terminal Marker	9558-027-001	1



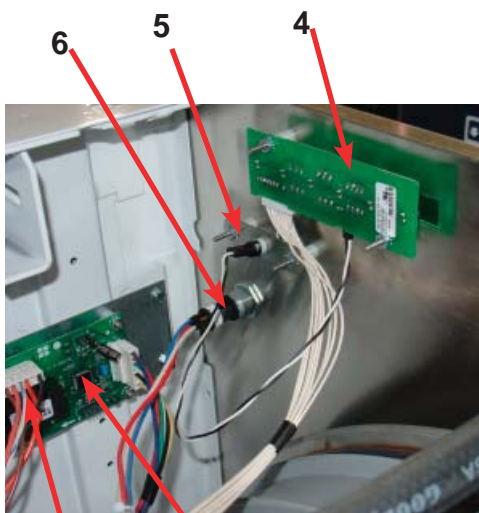
WSVD Electrical Components, Upper

Key	Description	Part Number	Qty
1	Terminal Block Assy, POWER	9897-033-002	1
*	Screw, Mtg 6ABx3/4"	9495-031-010	2
2	Strip, Terminal Marker	9558-025-001	1
3	Terminal, Lug-Solderless (Ground)	8652-134-001	1
*	Screw, 10-32TTx1/2 Green (Control Trough)	9545-008-027	1
*	Wiring Harness Power Terminal To VFD & Control Transformer and ground wire	9627-747-002	1
4	VFD Delta drive 208-240 volt	9375-015-015	1
*	Cable, Data Communication	9806-015-002	1
*	Wiring Assembly Yel. 32"	8220-064-023	2
5	Braking resistors (200 ohm)	9483-004-002	3
*	Wire Assembly, BLK (Breaking Resistors)	8220-118-002	2
*	Wire Assembly-Jumper, BLK (Breaking Resistors)	8220-117-002	2
*	Label Fuse 1.5 amp Rear	8502-716-001	1
*	Fuse-1.5a	8636-018-001	1
6	Fuseholder-Assembly	9200-001-002	1
*	Circuit Breaker (optional) 1.5 AMP	5198-211-004	1
7	Terminal Block Assy, Injector	9897-032-002	1
*	Screw, Mtg 8Bx3/4"	9545-053-002	2
*	Strip, Terminal Marker (Injector)	9558-028-001	1
*	PCB assembly Relay Optional (Soap Injection)	9473-007-001	1
*	Harness-P23/15	9627-835-002	1

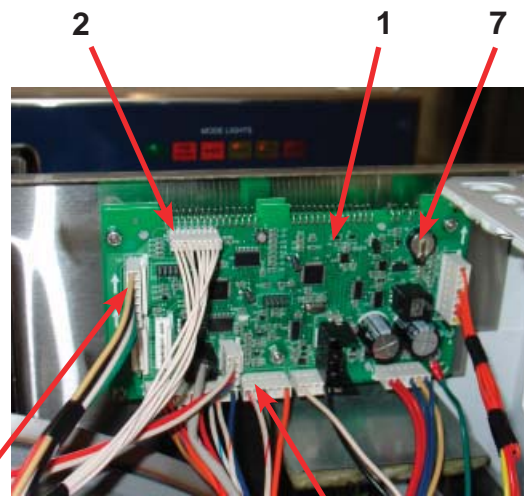


WSVD Front Panel Control Group Part

Key	Description	Part Number	Qty
*	Nameplate,Control Panel (one piece)	9412-123-001	1
1	PCB assembly Control /Display (OPL)	9473-004-005	1
*	Spacer Pushbutton (Micro)	9538-158-001	5
*	Retainer Pushbutton (Micro)	9486-150-001	1
*	Nut Hexelasticstop #4-40	8640-424-002	2
*	Pushbutton Control (OPL)	9035-060-002	1
*	Spacer Plastic #6x9/16	9538-157-018	5
*	Nut Elasticstop #6-32	8640-411-002	4
*	Nut-Hexkeps, #6-32	8640-411-003	1
2	Harness LEDPCB	9627-821-001	1
3	Harness Doorlock, Switches	9627-816-002	1
4	PCB assembly Mode lights	9473-005-001	1
*	Spacer Plastic #6x9/16	9537-157-018	2
*	Nut Hexkeps #6-32	8640-411-003	2
5	Light, LED,ADD BLEACH Assembly	9794-001-001	1
*	Spacer Plastic #6x9/16	9538-157-018	2
*	Nut Hexeps #6-32	8640-411-003	2
6	Lock, Run/Program, w/Harness	8650-027-001	1
7	Battery	8612-001-001	1
8	PCB assembly Relay Optional (Soap Injection)	9473-007-001	1
9	Harness-P23/15	9627-835-002	1
10	Wiring Harness, Optional Relay Board to Soap Injection terminal block	9627-799-002	1



10 8

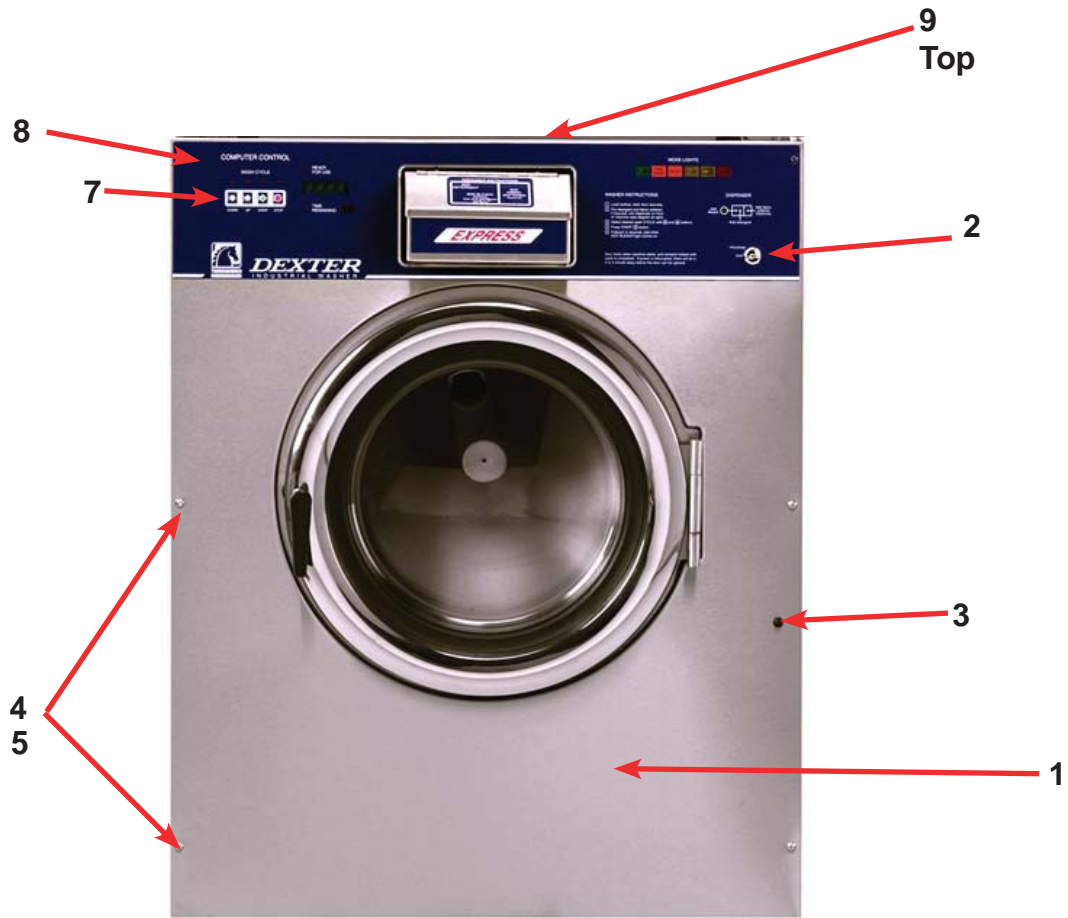


9 3 7 1 2

WSVD Labels and Diagrams by Part

Key	Description	Part Number	Qty
*	Wiring Diagram, OPL	9506-023-001	1
*	Wiring Schematic, OPL	9506-024-001	1
*	Transient Voltage Surge Suppressor Informational	8507-330-001	1
1	Label High Voltage Warning	8502-614-005	1
2	Label Fusing & Installation	8502-619-004	1
*	Label Warning Risk of Injury	8502-722-002	1
*	Label Warning Door Opening	8502-723-001	1
*	Booklet Owners	8514-197-001	1
3	Label "EXPRESS" , Soap Dispenser	8502-715-001	1
4	Label-Control Name Plate	9412-123-001	1
5	Label Top Dispenser	8502-687-001	1
6	Label-Connection Electrical	8502-649-001	1
*	Label-Connections Injector	8502-647-002	1



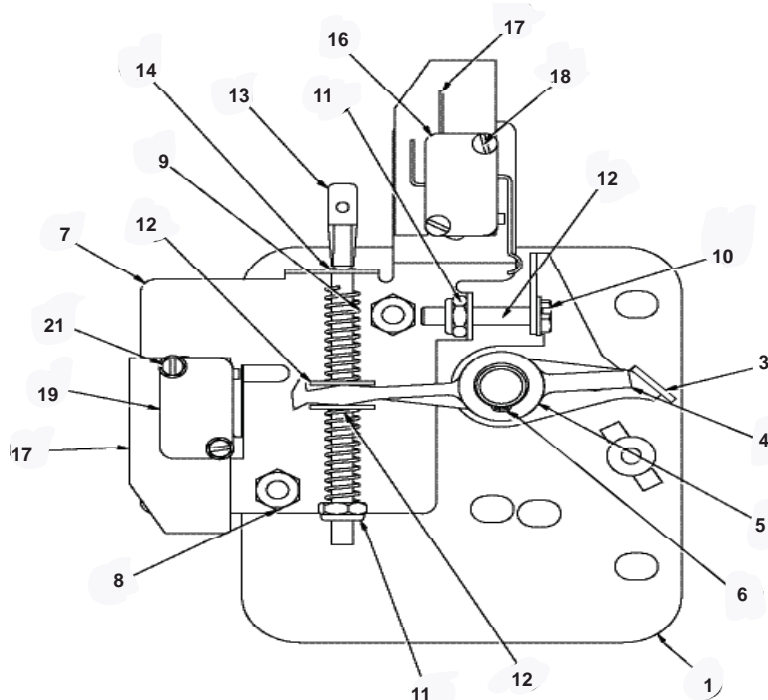


WSVD Cabinet and Front Panel Group

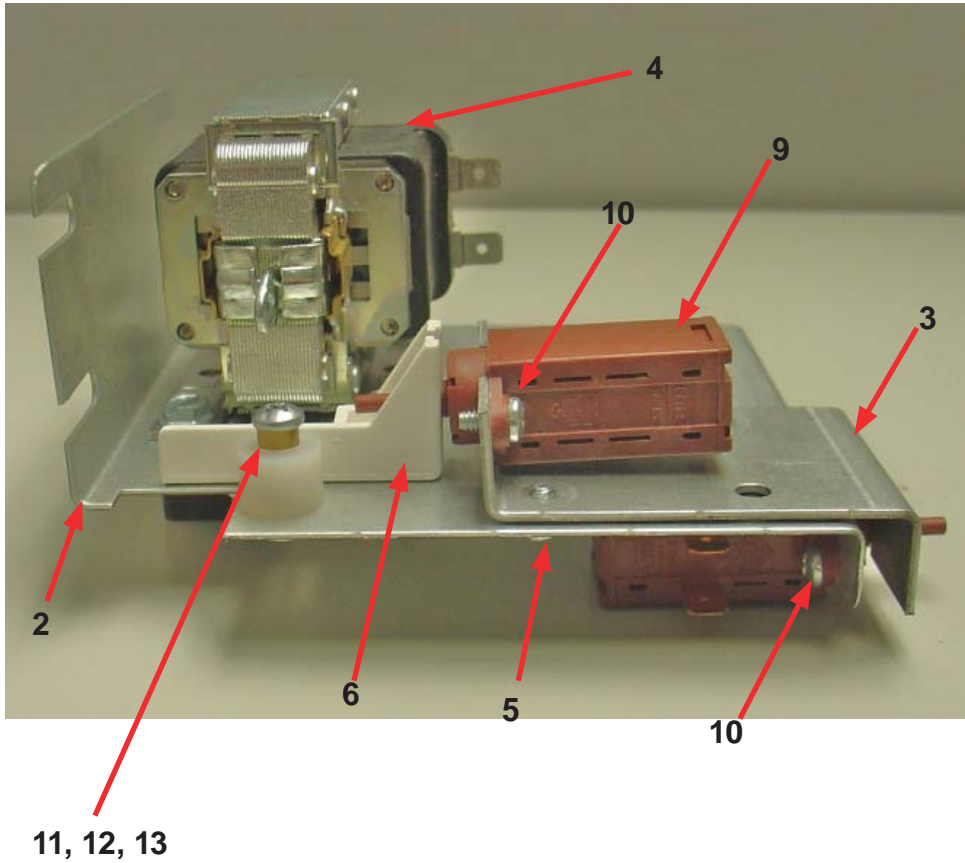
Key	Description	Part Number	Qty
*	Panel, Right Side-Painted	9989-493-002	1
*	Panel, Left Side - Painted	9989-494-002	1
*	Screw, (Side Panel to Base)	9545-018-023	8
*	Plate-Assy, Fastner Side Panel	9982-318-001	8
1	Panel Assy, Front	9989-488-001	1
2	Lock, Run/Program, w/Harness	8650-027-001	1
3	Bumper Loading Door	9051-053-001	1
4	Screw, Flat Head- Front to Sides	9545-008-020	4
5	Washer, Finish	8641-582-019	4
*	Nut, Spring-To Front Panel	8640-399-001	4
*	Label, Door Opening	8502-723-001	1
*	Label, Risk of Injury	8502-722-002	1
7	Retainer Pushbutton (Micro)	9486-150-001	1
7	Nut Hexelasticstop #4-40	8640-424-002	2
7	Pushbutton Control (OPL)	9035-060-002	1
8	Nameplate Decal, Control Panel	9412-123-001	1
9	Panel Top, Front, Painted	9989-470-002	1
*	Screw, Hex, #10B x 1/2	9545-008-026	6
*	Panel Top Rear	9454-717-001	1
*	Screw, Hex, #10B x 1/2	9545-008-026	6
*	Optional Top Panel for Stand alone washer	9454-729-001	1
*	Screw, Panhead- 10AB x 2, ss		6
12	Soap Dispenser Assembly, Complete (Does not include lid)	9807-087-001	1
*	Soap Box mounting Gasket	9206-422-001	1
13	Lid Assembly soap box	9987-104-001	1
*	Lid screws #10-32x1/2 SS	9545-012-017	2
*	Nut Hex Elasticstop #10-32 SS	8640-413-006	6
*	Bracket Soap box mounting	9029-122-002	1
*	Softner siphon tube (plastic)	9574-252-002	1
*	Flow restrictors	9475-002-003	3

Door Lock Assembly

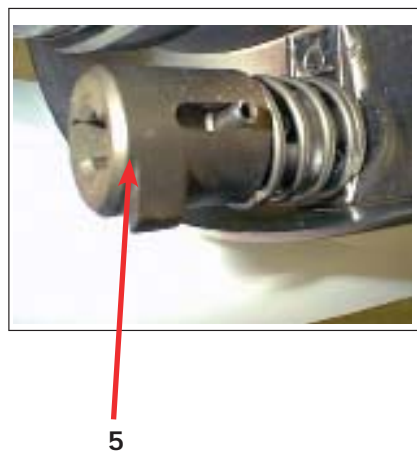
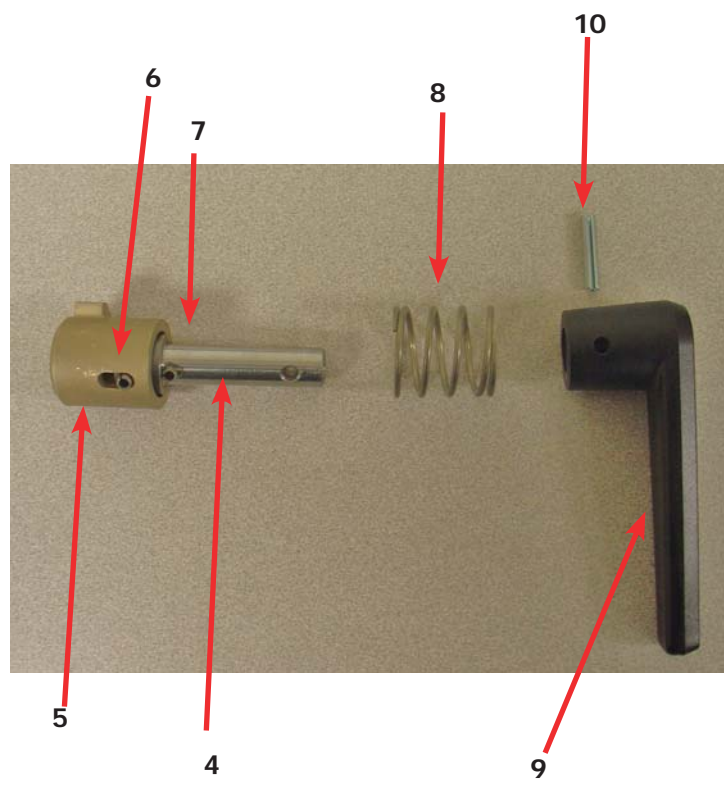
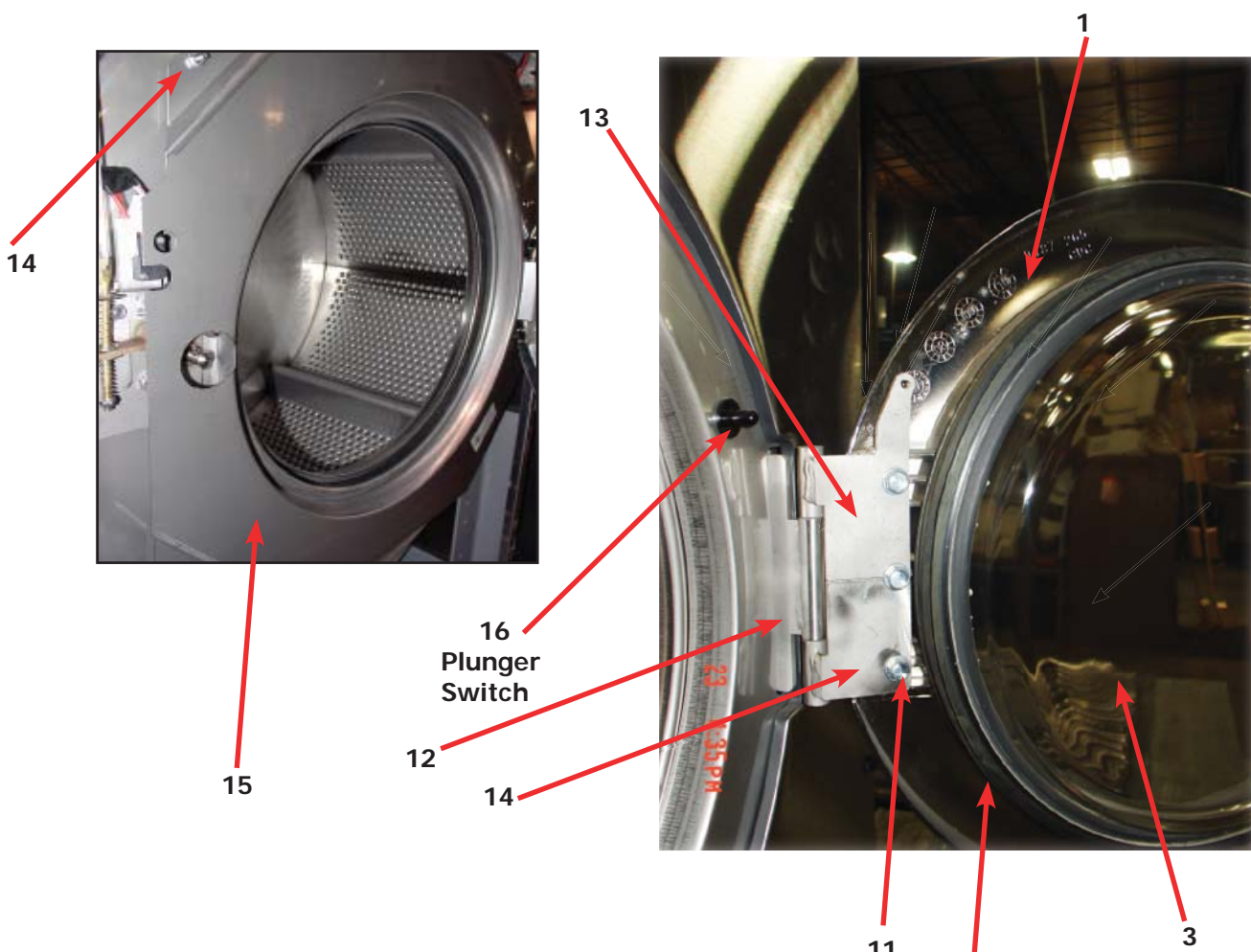
Key	Description	Part Number	Qty
*	Lock Assy, Complete (#1-22)(includes #1 thru #22)	9885-024-001	1
1	Plate Assy, Door Lock	9982-346-001	1
2	Washer, Flat	8641-581-030	1
3	Actuator, Latching Switch	9008-005-001	1
4	Pawl, Locking	9450-002-004	1
5	Washer, Spring	8641-569-003	1
6	Ring, Retaining	9487-200-004	1
7	Bracket Switch	9029-163-001	1
8	Nut, Hex 10-32 UNF	8640-413-002	2
9	Spring, Actuating	9534-364-002	1
10	Screw, Hx. 10-32 x 1"	9545-012-020	1
11	Nut, Elastic Stop 10-32	8640-413-004	2
12	Spring, Return	9534-364-001	2
13	Pin, Guide	9451-193-001	1
14	Ring, Retaining	9487-200-005	1
15	Washer	8641-581-031	2
16	Switch, Latching Sensing	9539-461-008	1
17	Shield, Switch	9550-169-003	4
18	Screw 4-40 x 5/8"	9545-020-001	2
*	Nut, Twin	8640-401-001	1
19	Switch, Locking Sensing	9539-461-007	2
20	Actuator, Switch Locking	9008-006-003	1
21	Screw 4-40 x 1 1/8"	9545-020-003	2
21	Nut, Twin 4-40	8640-401-001	1
22	9451-181-004	9451-181-004	1
*	Shim, Door Lock, Thin	9552-037-001	AR
*	Screw, Lock mtg 1/4"-20 x 3/4"	9545-018-004	3
*	Lockwasher 1/4" Ext tooth	8641-582-007	3



WSVD Door Lock Solenoid Assembly



Key	Description	Part Number	Qty
1	Solenoid Ass'y, Door Locking (includes 23 thru 32)	9922-011-009	1
2	Bracket, (Door Locking Solenoid)	9985-169-001	1
3	Bracket Ass'y, Solenoid Slide	9029-074-001	1
4	Solenoid 120V 60 hz	9536-082-002	1
5	Screw, Solenoid Mtg	9545-008-001	4
6	Stop, Door Lock Solenoid	9540-036-001	1
7	Screw, Shoulder	9545-061-001	1
*	Nut, Keps #6	8640-411-002	1
9	Thermoactuator 120 V	9586-001-001	2
10	Screw #6 x 5/16"	9545-031-011	4
11	Spacer, Plastic	9538-157-004	1
12	Spacer, Metal	9538-166-004	1
13	Screw, Cross Recessed	9545-010-001	1
14	Nut, Keps #8	8640-412-005	1
*	Rod, Pull	9497-225-008	1
*	Nut, Sol. Brkt. to Control Panel	8640-412-005	3



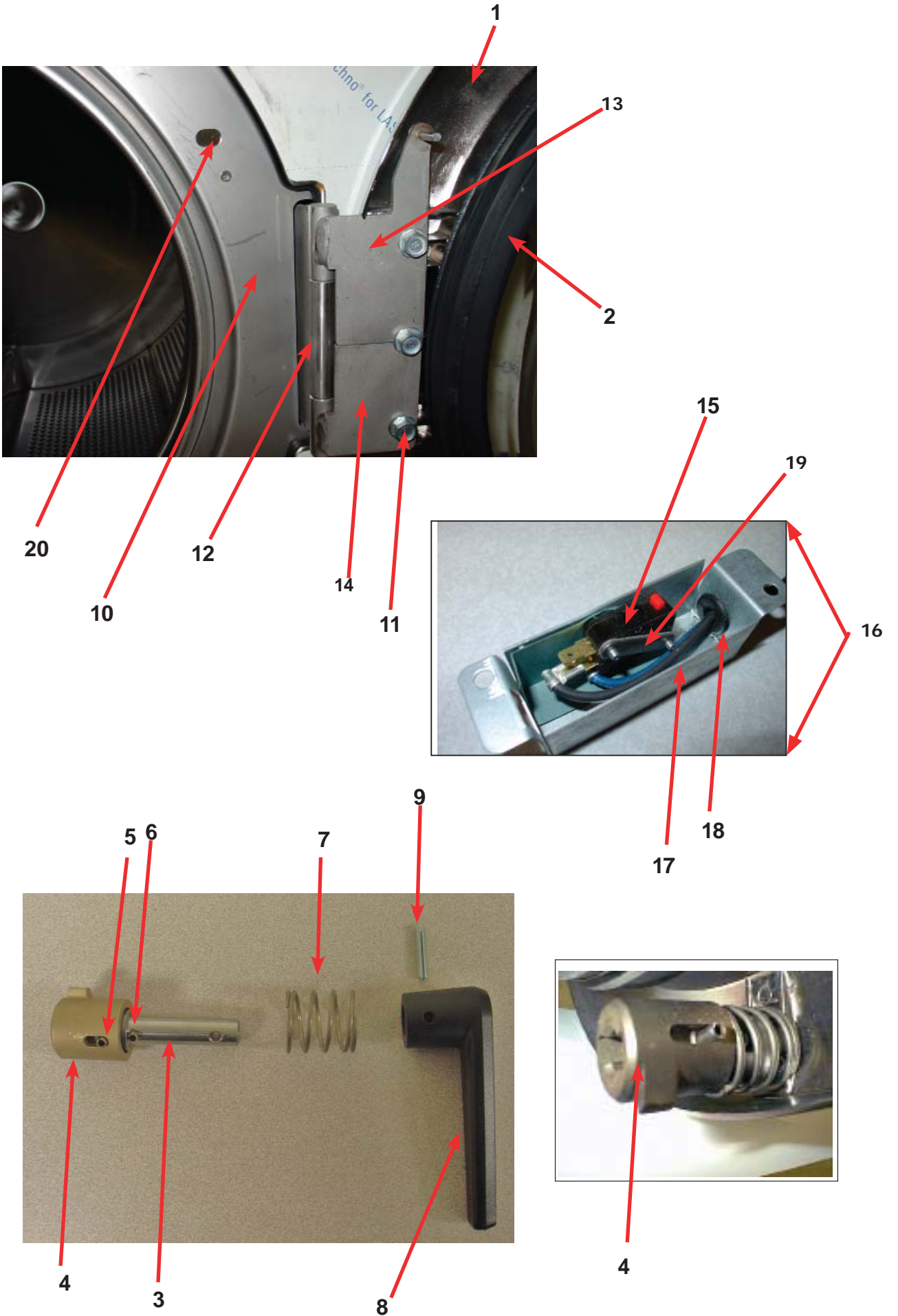
WSVD Loading Door Group Part

Key	Description	Part Number	Qty
	Loading Door, Complete #1-10	9960-274-004	1
1	Loading Door, Ring (180 Degreese)	9487-265-002	1
2	Gasket, Loading Door	9206-419-001	1
3	Window, Loading Door	9635-016-001	1
*	Shaft Assy, Locking (includes 4 thru 7)	9913-134-003	1
4	Shaft, Door Locking	9537-195-002	1
5	Cam, Locking	9095-040-002	1
6	Pin, Groove (1 1/4)	9451-181-005	1
7	Pin, Groove (3/4)	9451-181-004	1
8	Spring, Lock Cam	9534-360-002	1
9	Handle, Door	9244-080-003	1
10	Pin, Door Handle (groove)	9451-181-006	1
11	Screw, Loading Door Mtg (5/16" TF)	9545-056-002	3
*	Shim, Loading Door Hinge, Thin	9552-037-001	1
12	Door Hinge Assembly Mounts to Tub Front	9555-030-001	1
*	Screw, Hinge Mtg 5/16" -18x 3/4"	9545-014-009	3
*	Lockwasher 5/16" Ext tooth	8641-582-009	3
*	Rubber Edge (mounts to Front Panel)	9059-063-002	1
*	Nut, Keps	8640-411-003	2
*	Wiring Harness doorlock safety Switch Assembly	9627-816-002	1
*	Wire Assembly Door Close Switch, Red 17"	8220-063-025	1
*	Wire Assembly Door Close Switch, BLK 17"	8220-063-026	1
13	Leaf assembly, Hinge Top (Push Button Style)	9545-005-004	1
14	Leaf assembly, Hinge Bottom	9545-005-002	1
15	Masking Ring (push Button Switch Style)	9487-273-002	1
16	Switch, Door closed Switch (Push Button style)	9539-492-001	1
*	Masking Ring (Micro Switch Style)	9950-060-002	1
*	Leaf assembly, Hinge Top (Micro Switch Style)	9845-005-003	1
*	Switch Assembly, Door Closed (Micro Switch Style)	9801-089-001	1
*	Box, Door Switch	9041-087-001	1
*	Bushing-Insulating, Plastic	9053-067-003	1
*	Switch, Micro	9539-461-007	1
*	Shield-Door Switch	9550-159-001	1
*	Nut-Special Twin #4-40	8640-401-001	1
*	Screw, #4-40 x 5/8	9545-020-001	2
*	Wire Assembly, BLK 17"	8220-062-028	1
*	Wire Assembly, RED 17"	8220-062-027	1
*	Actuator, Door Switch	9008-004-001	1

WSVD Loading Door Hinge Parts Group

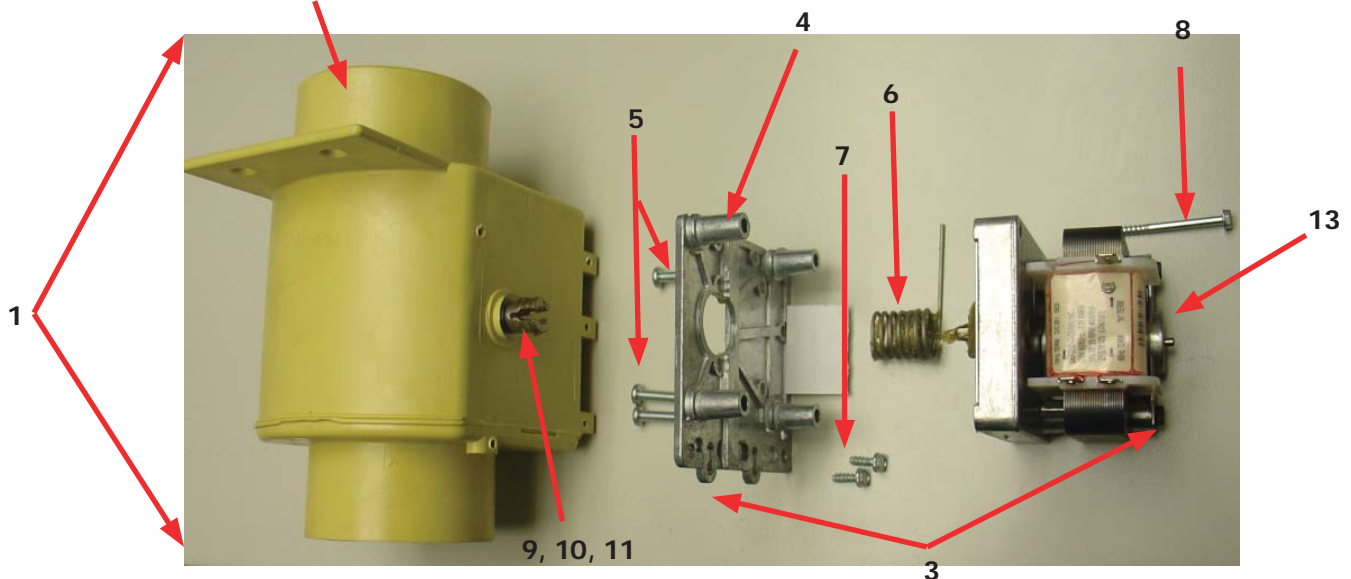
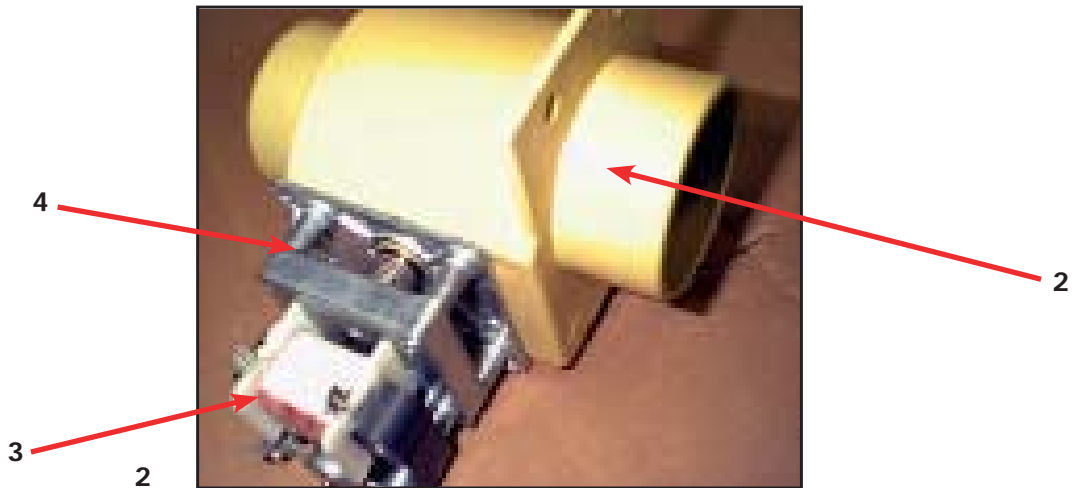
With Pin (Before Serial # 507538)

Key	Description	Part Number	Qty
*	Loading Door, Complete #1-10	9960-274-004	1
1	Loading Door, Ring	9487-265-002	1
2	Gasket, Loading Door	9206-419-001	1
*	Window, Loading Door	9635-016-001	1
*	Shaft Assy, Locking (includes 3 thru 6)	9913-134-003	1
3	Shaft, Door Locking	9537-195-002	1
4	Cam, Locking	9095-040-002	1
5	Roll Pin Type, Groove (1 1/4)	9451-181-005	1
6	Roll Pin Type, Groove (3/4)	9451-181-004	1
7	Spring, Lock Cam	9534-360-002	1
8	Handle, Door	9244-080-003	1
9	Roll Pin Type, Door Handle (groove)	9451-181-006	1
10	Masking Ring Assembly (For Micro Switch Box Door Switch)	9950-060-002	1
11	Screw, Loading Door Mounting (5/16" TF)	9545-056-001	1
12	Door Hinge (mounts to tub)	9950-030-001	1
*	Screw, 5/16-18 x 3/4	9545-014-009	3
*	LockWasher-External tooth, 5/16	8641-582-009	3
13	Top Door Hinge Leaf with switch pin	9845-005-003	1
14	Bottom Door Hinge Leaf	9845-005-002	1
15	Switch-Micro	9539-461-007	1
*	Shield-Doorswitch	9550-159-001	1
16	Switch Box Assembly, Door Closure (#17 thru #20)	9801-089-001	1
17	Box-Door Switch	99041-087-001	1
18	Bushing-Insulating, Plastic	9053-067-003	1
19	Nut-Special Twin, #4/40	8640-401-001	1
*	Screw, 4/40 x 5/8	9545-020-001	2
*	Red Wire (Door Close Switch)	8220-062-027	1
*	Black Wire (Door Close Switch)	8220-062-028	1
20	Acuator-Doorswitch	9008-004-001	1

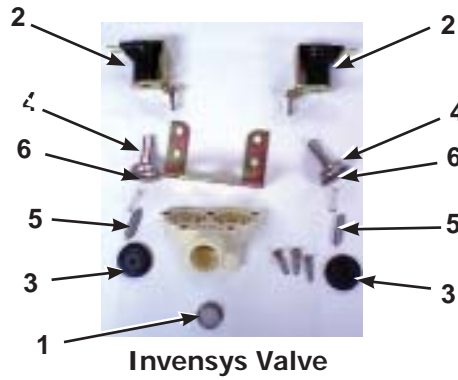


Drain Valve Group Part # by Model

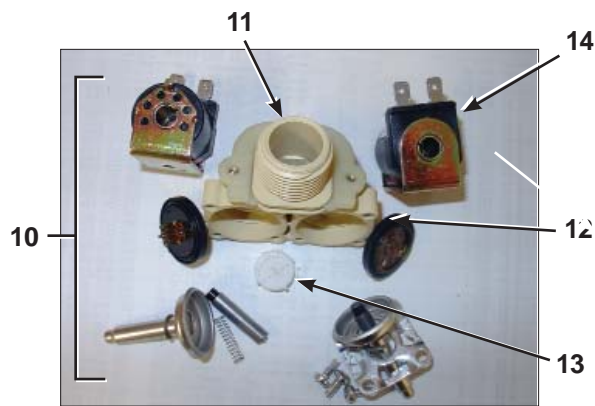
Key	Description	Part Number	Qty
1	Valve, Drain (includes #2 thru #11)	9379-187-004	1
2	Body, Valve (w/ball)	9064-070-001	1
3	Motor & Gear Train (complete)	9914-137-011	1
4	Plate, Motor Mtg	9452-538-001	1
5	Screw	8639-994-001	1
6	Spring, Drive	9534-339-001	1
7	Screw	9545-054-001	1
8	Screw	9545-054-002	1
9	Seal, V Packer	9532-134-001	1
10	Washer	8641-584-001	1
11	Pin, Main Drive	9451-196-001	1
*	Plate (spacers needed for replacement motor mtg. plate)	9538-149-001	1
13	Stator and Coil Assembly	9089-036-004	1
*	Valve Drain before Serial # 482181	9379-187-001	1



Water Inlet Valve Breakdown



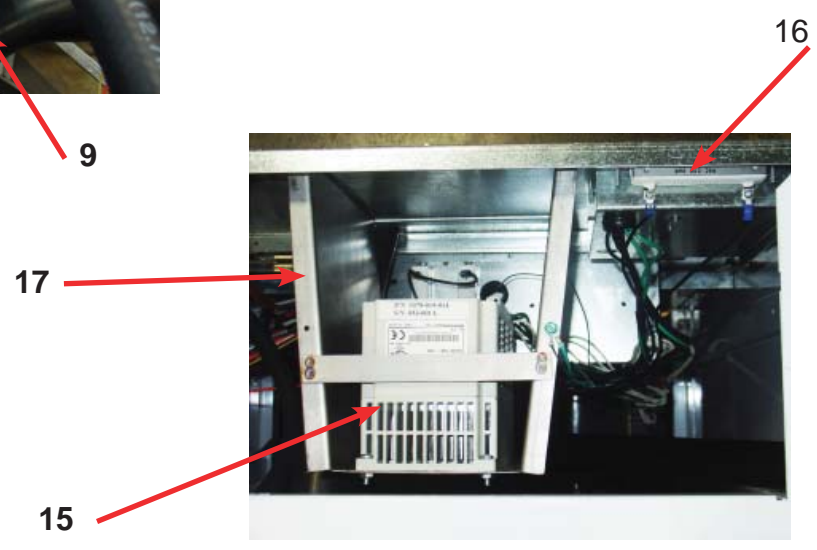
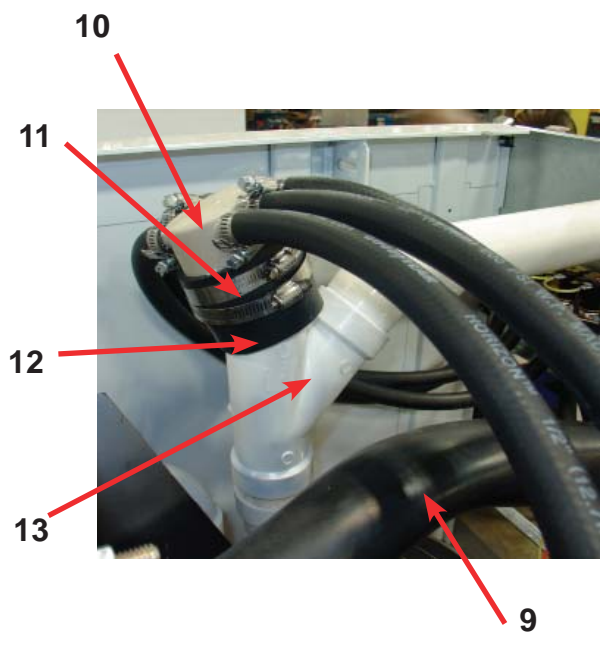
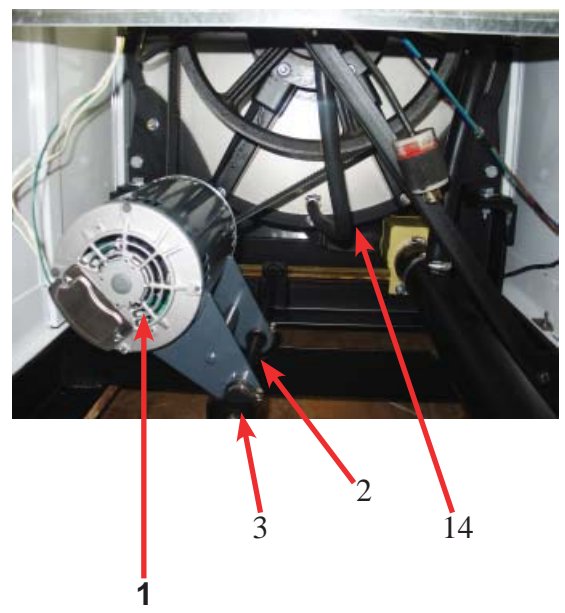
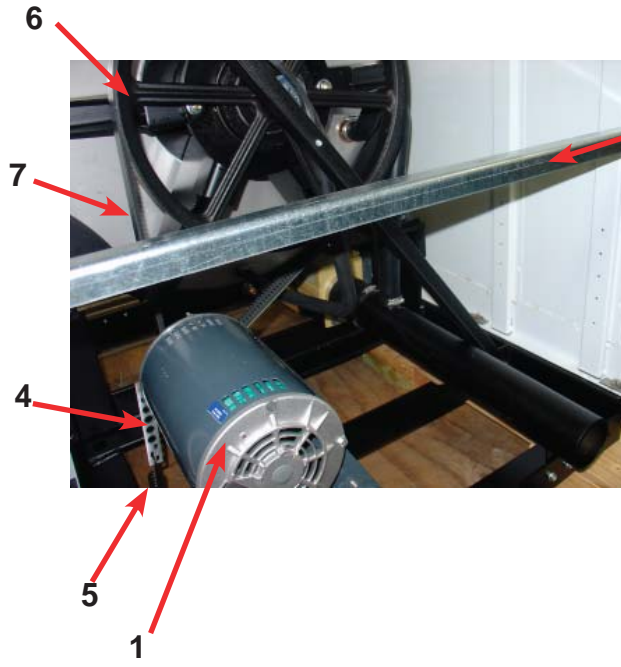
Key	Description	Part Number	QTY
*	Valve, Water Inlet (includes 1 thru 6) - Invensys	9379-183-003	2
1	Screen, Inlet end of valve	9555-056-001	2
2	Coil Assy., 120 V Invensys	9089-017-001	2
3	Diaphragm Invensys (EPDM)	9118-049-001	2
4	Guide, Solenoid Invensys	9211-021-002	2
5	Armature Invensys	9015-008-001	2
6	Spring, Armature Invensys	9534-298-001	2
*	Optional Diaphran (Viton)	9118-049-002	2



Key	Description	Part Number	QTY
10	Dual Coil Water Valve Mueller	9379-192-001	2
11	Valve Water Body Complete (no coil)	9379-192-002	1
12	Diaphragm Mueller	9118-054-001	2
13	Filter Mueller	9183-046-001	1
14	Coil Mueller	9089-051-001	2
16	Diaphragm Assembly Mueller	9785-001-001	1

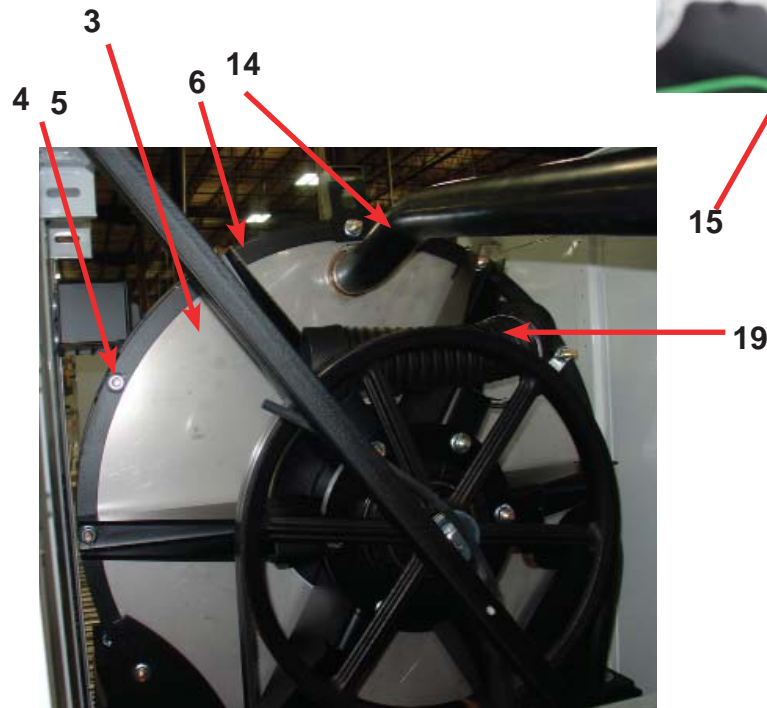
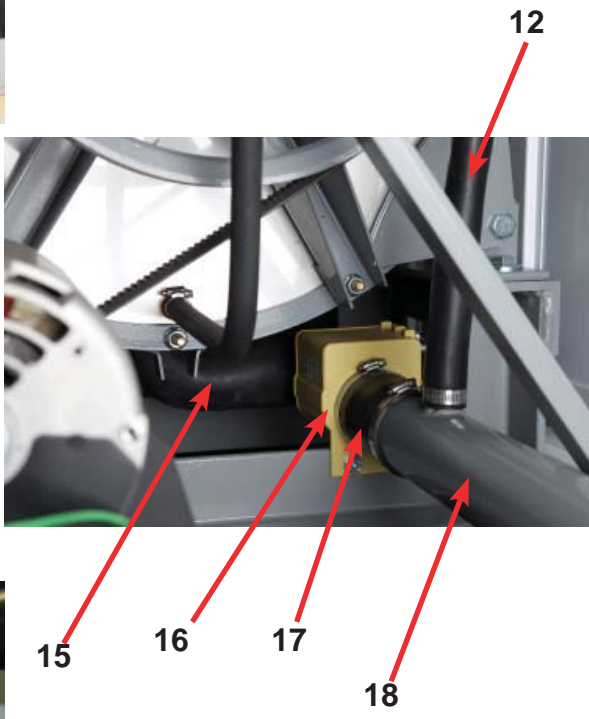
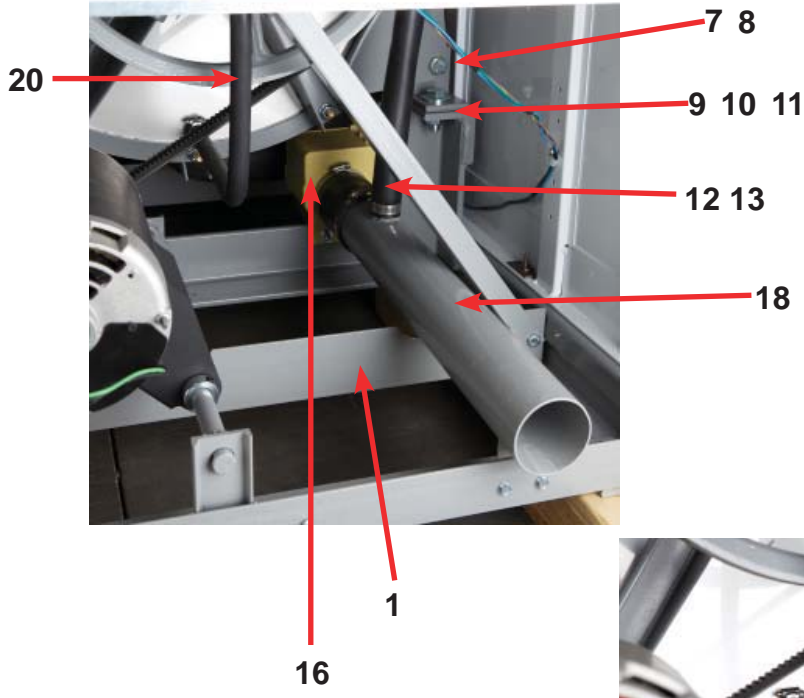
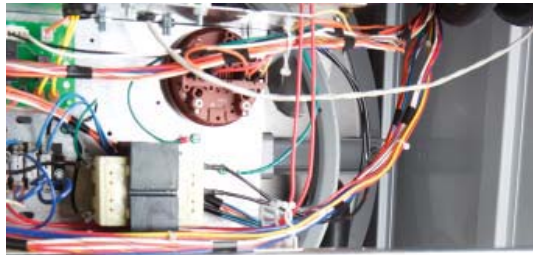
WSVD Rear View Access Parts Group Part

Key	Description	Part Number	Qty
1	Drive Motor, 3 Phase (Inverter duty)	9732-127-012	1
2	Rod, Motor Mtg	9497-222-006	1
*	Collar, Shaft (w/set screws) Before Serial # 530726	9076-052-002	2
*	Motor Bushing (plastic) Before Serial # 530726	9053-074-002	2
3	Motor Bushing (Rubber) after Serial # 530726	9053-082-001	2
*	Clamp-Worm, 316SS, 1.5" (for Rubber bushing)	8654-117-019	2
4	Strap Bracket, Motor Tension (After Serial # 525645)	9029-206-002	1
*	Nut, Strap to Motor (After Serial # 525645)	8640-413-002	1
*	Strap Bracket, Motor Tension (Before Serial # 525645)	9029-027-005	1
*	Nut, Strap to Motor (Before Serial # 525645)	8640-414-003	1
*	Washer (Before Serial # 525645)	8641-581-006	1
5	Spring, Belt Tension	9534-319-002	1
*	Bolt, Eye (1/4"-20x1/2")	9545-055-002	1
*	Nut, 1/4 Elastic Stop	8640-414-003	1
*	Pulley, Motor	9453-170-003	1
*	Set Screw,Sq.Hd(motor pulley)	9545-028-015	2
*	Tolerance Ring	9487-234-003	1
6	Pulley, Driven	9453-168-003	1
*	Screw 5/8-11x1/1/2"	9545-060-001	3
*	Lockwasher 5/8"	8641-582-018	3
*	Washer, Flat 5/8x2 1/4"	8641-581-032	3
7	Drive Belt	9040-077-003	2
8	Channel, Rear	9081-131-001	1
*	Screw	9545-008-026	4
*	Nut, Spring	8640-399-001	4
*	Hose, Overflow to drain	9242-449-004	1
*	Clamp, Hose overflow to drain	8654-117-019	2
9	Hose, Overflow Vent Top	9242-463-005	1
10	Vaccum Breaker	9610-001-002	1
11	Clamp, Hose Vent, Injection Assembly	8654-117-014	3
12	Hose, Vacuum Breaker to tub	9242-461-001	1
*	Hose, Injector to Tub	9242-462-001	1
13	Injection Assy-Soap	9883-008-001	1
*	Cap Injector Assy	0935-127-001	1
14	Hose, Pressure Switch	9242-175-005	1
*	Clamp, Pressure Switch Hose	8654-117-015	1
15	VFD Delta "S" drive 208-240 volt	9375-015-015	1
16	Braking resistors (200 ohm)	9483-004-002	3
17	Bracket assembly (drive mounting)	9985-176-001	1
*	Plastic Plug 7/8" Electrical Connection	8654-117-014	2
*	Panel Assy., Back	9454-714-001	1
*	Screw Panel Mtg.#10Bx1/2"	9545-008-026	10
*	Screw Panel Mtg.#10Bx1/2"	9545-030-002	3
*	Nut, Spring	8640-399-004	8



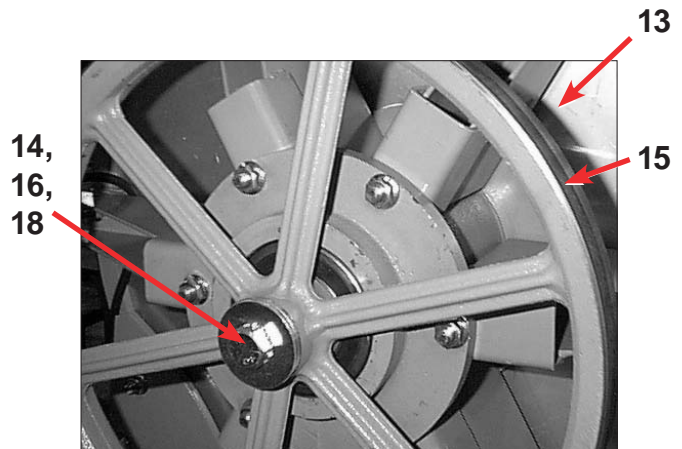
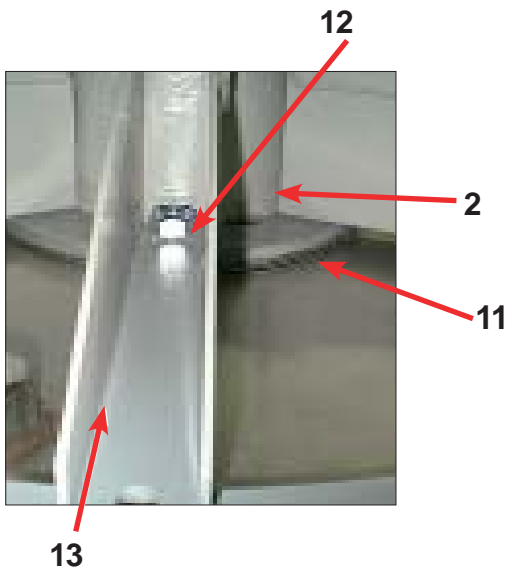
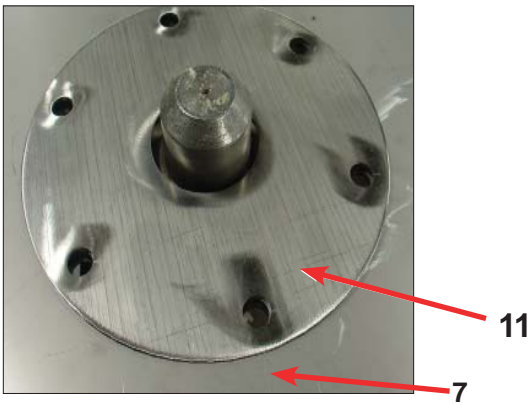
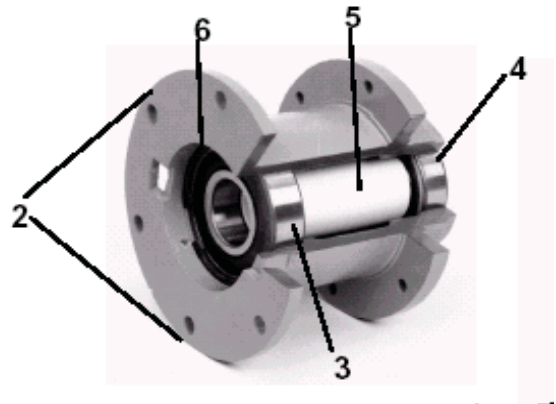
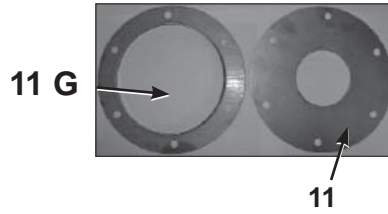
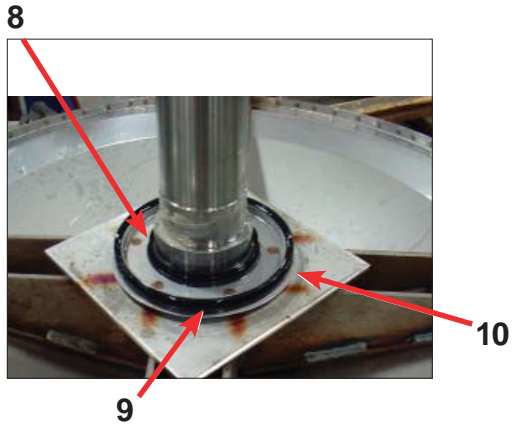
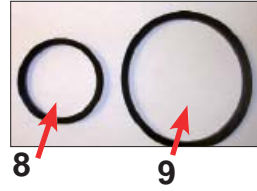
WSVD Chassis and Drain by Part

Key	Description	Part Number	Qty
1	Base Assy,Frame	9945-109-002	1
	Tub and Cylinder Complete	9869-011-001	1
*	Outer Tub Assy	9930-140-001	1
*	Cylinder Assembly, (Includes Spider)	9848-120-001	1
3	Back Ass'y, Tub	9962-013-003	1
4	Bolt, 7/16" x 2" Tub Back to Tub	9545-059-002	12
5	Nut, Flange Lock	8640-416-005	12
*	Bolt, 5/8-11 x 1 1/2 Tub to Base, Front	9545-060-001	2
*	Nut, 5/8-11 Wizlok	8640-425-001	2
*	Ring Assy, Tub Mtg-Front	9950-051-004	1
*	Bolt, Top Front Ring 5/8" x 3"	9545-017-016	1
*	Nut WCAD 5/8"	8640-417-005	1
6	Ring Assy.Clamp Tub Mtg.- Rear	9950-056-002	1
7	Bolt, 5/8-11 x 1 1/2 Tub to Base, Rear	9545-060-001	2
8	Nut, 5/8-11 Wizlok	8640-425-001	2
9	Bolt, 5/8-11 x 2 Tub & Rings to Base, Front & Rear	9545-060-004	4
10	Washer	8641-581-038	4
11	Nut, 5/8-11 Wizlok	8640-425-001	4
12	Hose, Overflow	9242-449-004	1
13	Clamp	8654-117-018	2
14	Tube, Over Suds	9242-463-005	1
*	Clamp	8654-117-014	1
15	Hose, Tub to Drain Valve	9242-464-001	1
16	Valve, Drain	9379-187-004	1
*	Screw, Valve to Bracket 5/16-18x1 1/4	9545-014-012	1
*	Nut, 5/16-18	8640-400-003	2
17	Hose, Drain Valve to Tube	9242-457-001	2
*	Clamp, Hose (Drain Valve to Tube)&(Srain Hose to Valve)	8654-117-009	1
*	Screw Tube (Bracket to Base 1/4B x 3/4)	9545-030-002	2
18	Tube Assy, Drain	9915-122-002	2
19	Hose, Vacuum Brkr. to Tub	9242-458-001	1
*	Clamp	8654-117-014	1
20	Hose, Pressure Switch	9242-175-005	2
*	Clamp	8654-117-014	1
			1



WSVD Cylinder, Seals & Bearings Part

Description		Part Number	Qty
*	Housing, Bearing- Assembly (items #2-#6)	9803-186-001	1
2	Housing, Bearing	9241-180-002	1
3	Bearing, Front (LARGE)	9036-159-005	1
4	Bearing, Rear (SMALL)	9036-159-004	1
5	Spacer, Bearing	9538-167-001	1
6	Ring, Bearing Retainer	9487-238-003	1
7	Back Assy, Tub 2 piece	9732-137-003	1
8	Seal, Primary	9532-140-002	1
9	Seal, Secondary	9532-140-009	1
10	Ring, Seal Mounting	9950-048-001	1
11	Tub Back Mating Ring	9487-261-003	1
12	Bolt 5/8-11x1 1/2" Tub end of bearing Housing	9545-060-001	6
12	Nut 5/8"-11	8640-425-001	6
12	Lockwasher 5/8"	8641-582-018	6
13	Support Arm Assy, Bearing Housing	9991-056-002	6
14	Bolt Pulley end of bearing housing, 7/16-14x2"	9545-059-003	6
*	Nut, Flange Locking 7/16"	8640-416-005	6
15	Pulley, Driven	9453-168-003	1
16	Ring, Tolerance	9487-234-003	1
17	Washer 5/8"x 2 1/4"	8641-581-032	1
18	Bolt 5/8-11x1 1/2"	9545-060-001	1
19	Lockwasher 5/8 Ext. tooth	8641-582-018	1
*	Cylinder Assy	9848-120-001	1
*	Tub and Cylinder Assy.	9869-011-002	1
*	Plastic Plug 1 1/2"-(inside cylinder)	9456-041-007	1



Section 12:

50 Hz Washer

Models

Parts in this section used only in these models. All other parts are same as standard 60 Hz pages.

Transformers -21 Models

KEY	Part Description	WSAD30KCS-21CR	QTY
*	Wire Assembly -Orange/White	8220-001-235	1
*	Wire Assembly -Blue	8220-001-338	1
1	Transformer-120/18zVAC,5VA	8711-015-001	1
2	Transformer, Control	8711-004-002	1
3	Transformer, Secondary	8711-009-002	1
*	Wiringlabel-Schematic	9506-174-001	1
*	Wiringlabel-Diagram	9506-175-001	1
*	Controlsassembly -Trough	9857-156-005	1

