



# Section 5

## Parts Data CABINET GROUP

Key	Part Number	Description	Qty.
*	9960-256-021	Door Assy., Loading Complete - White .....	1
*	9960-256-025	Door Assy., Loading Complete - SS .....	1
*	9960-256-022	Door Assy., Loading complete - Almond.....	1
1	9960-255-007	Door Ring, Loading .....	1
2	9982-280-002	Plate Assy., Hinge - White .....	1
2	9982-280-011	Plate Assy., Hinge - SS .....	1
2	9982-280-005	Plate Assy., Hinge - Almond.....	1
*	9545-012-015	Screw, Hinge to Door 10-32 x 3/8" .....	4
*	8640-413-002	Nut, Hinge to Door #10-32 UNF .....	4
3	9212-002-003	Glass, Door .....	1
4	9206-164-009	Gasket, Glass .....	1
*	9548-117-000	Support, Door Glass (inside gasket) .....	1
5	9206-420-002	Gasket, Outer Rim .....	1
6	9244-082-001	Handle, Loading Door .....	1
*	9545-018-017	Screw, Handle 1/4"-13 x 1 1/4" .....	2
*	9531-033-001	Stud, Door Catch .....	1
*	8640-413-001	Nut, Hex .....	1
*	8640-413-003	Nut , Acorn # 10-32 .....	1
*	9086-015-002	Catch, Loading Door .....	1
7	9989-460-006	Panel Assy., Front - White .....	1
7	9989-460-004	Panel Assy., Front - SS .....	1
7	9989-460-007	Panel Assy., Front - Almond .....	1
*	9942-027-008	Coin Vault Assy., White .....	1
*	9942-027-006	Coin Vault Assy., Gray .....	1
*	9942-027-007	Coin Vault Assy., Almond .....	1
8	9108-100-004	Door, Upper Service - SS .....	1
8	9108-100-006	Door, Upper Service - White .....	1
8	9108-100-007	Door, Upper Service - Almond .....	1
9	9578-090-002	Trim, Door-Upper Service .....	1
*	6292-006-006	Key ( only ) (FJWCC) .....	1
10	8650-006-003	Lock w/ nut, Upper Service Door .....	1
*	8638-211-001	Rivet, Drive .....	2
*	8641-581-005	Washer, Flat 3/16" .....	2
*	9548-243-002	Support, Upper Door .....	1
11	9412-083-002	Nameplate, Commercial Dryer .....	1
12	9545-012-003	Screw, Chrome 10-32 x 1/2" .....	4
*	8641-436-004	Washer, Fiber .....	4
*	8641-582-019	Lockwasher # 10 .....	10
*	8640-399-001	Nut, Spring U type 10Z .....	6

\* Not Illustrated



## CABINET GROUP (continued)

Key	Part Number	Description	Qty.
13	9544-047-002	Strap, Hinge - White .....	1
13	9544-047-007	Strap, Hinge - Gray .....	1
13	9544-047-005	Strap, Hinge - Almond.....	1
*	9545-008-008	Screw, Hinge to Panel 10T-32 x 1/2" .....	4
14	9545-052-001	Screw, Door to Hinge Strap (special) .....	1
15	8641-436-003	Washer, Fiber/ Plastic .....	1
16	9960-261-001	Door Assy., Lower Service - SS .....	1
16	9960-261-003	Door Assy., Lower Service - White .....	1
16	9960-261-004	Door Assy., Lower Service - Almond.....	1
17	9578-088-001	Trim, Door - Lower Service .....	1
18	9545-008-021	Screw,Pn Hd Cr., #10Bx3/8 .....	5
19	9578-084-002	Trim, Kick - Lower Service Door .....	1
*	9435-004-010	Overlay - Trim, Kick .....	1
20	9545-008-010	Screw, Tr Hd Cr-#10x1/2 Blk .....	3
21	8650-006-003	Lock w/nut, Lower Service Door .....	1
*	6292-006-006	Key (only), FJWCC.....	1
*	8544-005-000	Leg, Leveling .....	4
*	9049-074-001	Baffle, Cabinet- Left .....	1
*	9049-074-002	Baffle, Cabinet- Right .....	1
*	9545-008-003	Screw, #10x1/2 TEK .....	8
22	9074-273-001	Cover, Cabinet .....	1
*	9545-008-024	Screw .....	10
*	9277-049-001	Insulation, Front Panel (Top) .....	1
*	9277-049-002	Insulation, Front Panel (Bottom) .....	1
*	9277-051-001	Insulation, Side Panels .....	4
*	9277-050-003	Insulation, Lower Service Door .....	1
*	9277-047-001	Insulation, Top Left Cabinet Side (by burner housing) .....	1
*	9277-047-002	Insulation, Upper Service Door .....	1

\* Not Illustrated

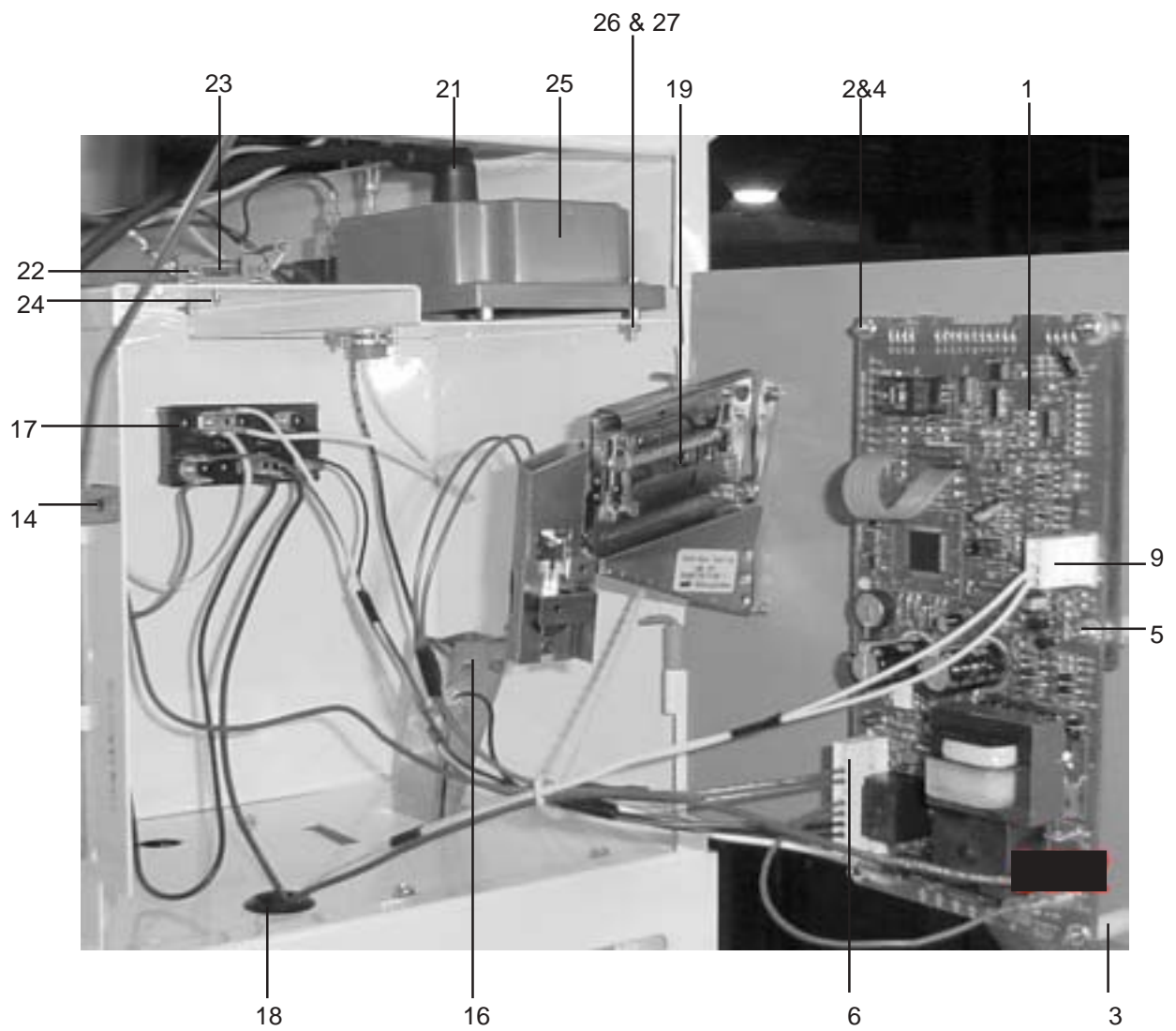


# Control Housing Group

Key	Part Number	Description	Qty.
1	9471-011-002	Electronic Control .....	1
2	9538-157-016	Spacers, Circuit Board - #6 x 1/2 .....	3
3	9538-157-017	Spacers, Circuit Board - #6 x 7/8 .....	3
4	8640-411-001	Nut, Circuit Board .....	4
5	8640-411-003	Nut, Keps - Circuit Board (for grounding) .....	1
6	9627-651-001	Harness, Wiring (Electronic Control ) .....	1
7	9801-077-001	Switch Assy., Membrane .....	1
8	9501-004-002	Sensor, Temperature .....	1
9	9627-679-001	Harness, Temperature Sensor .....	1
10	9029-111-001	Bracket, Sensor Mounting .....	1
11	9982-305-002	Plate Assy., Electronic Control .....	1
12	9451-146-005	Pin, Hinge - Control Plate Assy. ....	2
13	9545-045-002	Screw, Mtg. (left edge) .....	1
14	9039-981-001	Nut, Angled Spring .....	1
15	8502-640-004	Label, Control Instruction/ Warning .....	1
16	9940-013-001	Chute Ass'y Coin .....	1
*	9545-008-024	Screw, Coin Chute Mtg. ....	1
17	9897-026-001	Terminal Block .....	1
*	9545-031-004	Screw Terminal Block Mtg. ....	2
18	9053-067-001	Bushing, Door Switch Wires .....	1
19	9021-002-016	Coin Acceptor Complete (includes #20&#21) .....	1
*	9732-126-001	Switch, Coin .....	1
20	9063-004-001	Bail, Coin Return .....	1
*	8640-406-009	Nut, Bail mtg. ....	2
*	9545-025-001	Screw, Acceptor Mtg. ....	2
*	8641-573-012	Lockwasher .....	2
21	9631-403-003	Wire Ass'y, High Voltage .....	1
*	9627-711-001	Harness, Low Voltage Ignition .....	1
22	9054-045-001	Fuseholder .....	1
23	8636-018-004	Fuse, 2.5 amps .....	1
24	9545-031-005	Screw #6B x 3/8 .....	1
25	9857-116-002	Control, Ignition .....	1
26	9545-044-002	Screw 6-32 x 1" .....	2
27	8640-411-003	Nut, Hex Keps #6-32 .....	2

\* Not Illustrated

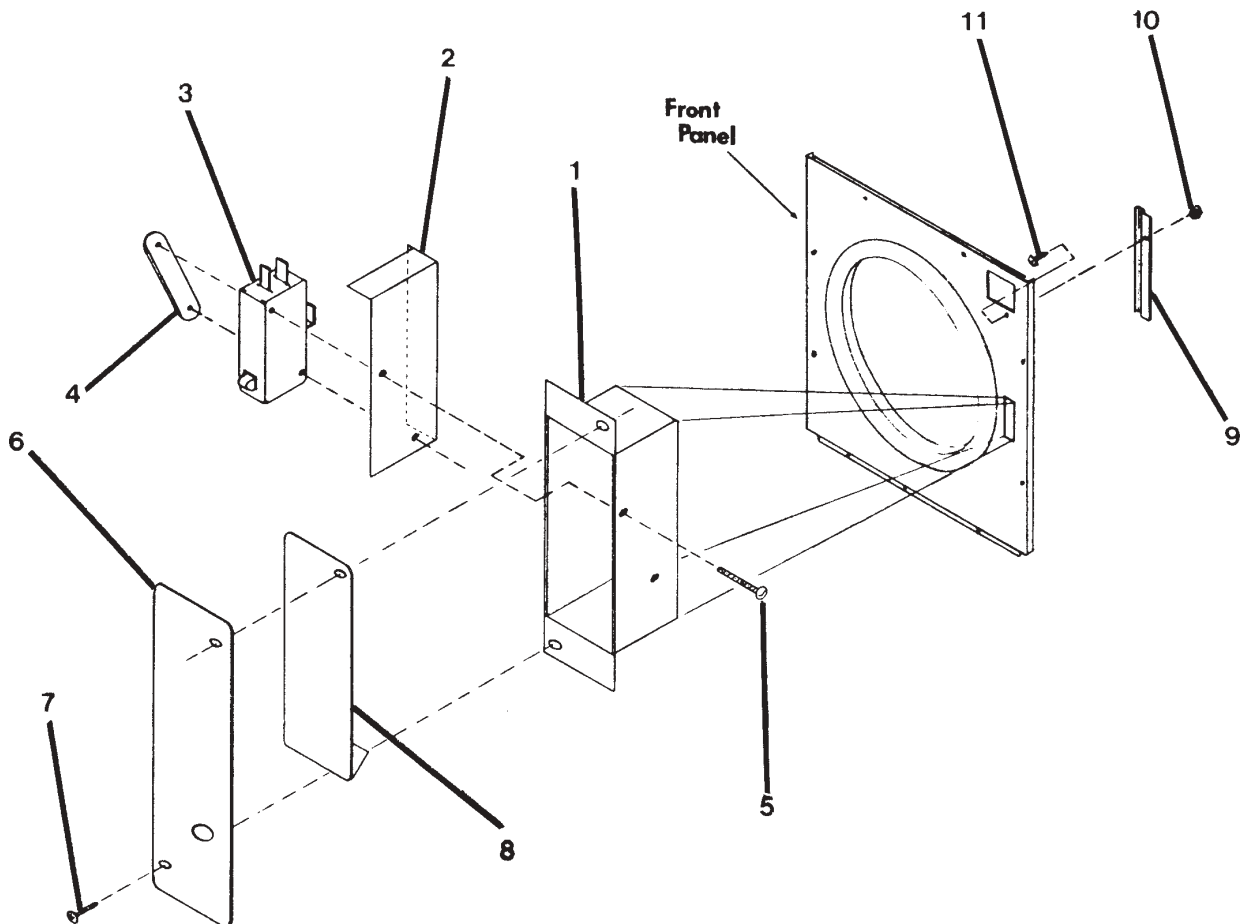




# DOOR SWITCH GROUP

Key	Part Number	Description	Qty.
1	9041-076-001	Box, Door Switch .....	1
2	9550-159-001	Shield, Door Switch .....	1
3	9539-461-001	Switch, Door .....	1
4	8640-401-001	Nut, Special Twin #4-40 .....	1
5	9545-020-001	Screw, Pn Hd Sl.#4-40x5/8 .....	2
6	9074-255-001	Cover, Switch Box .....	1
7	9545-008-020	Screw, Box Cover 10 AB x 3/4" .....	2
8	9008-004-001	Actuator, Door Switch .....	1
9	6068-041-002	Conduit .....	1
10	9545-012-003	Screw. 8-32 x 3 3/16" .....	1
*	8641-436-000	Washer, Fiber .....	1
11	8640-413-004	Nut, ElasticStop 10 -32 .....	1
*	8220-001-221	Wire Assy., Door Switch - Black .....	1
*	8220-001-222	Wire Assy., Door Switch - Blue .....	1

\* Not Illustrated

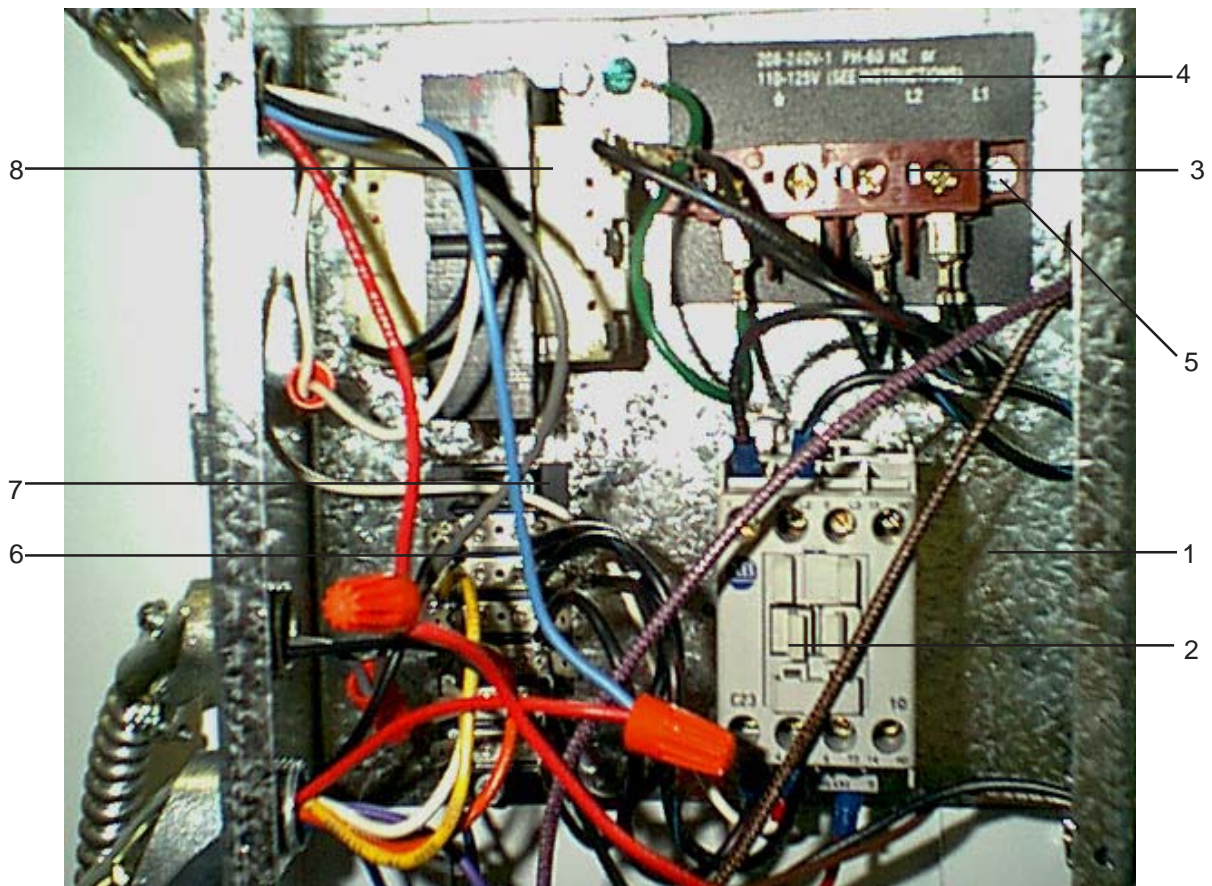




# CONTROL BOX GROUP

Key	Part Number	Description	Qty.
1	9041-081-001	Box, Control .....	1
*	9074-280-001	Cover, Control Box .....	1
*	9545-008-024	Screw .....	4
2	5192-295-011	Relay .....	1
*	9545-045-007	Screw, #8Bx 3/4 .....	2
3	9897-035-002	Terminal Block Assembly, Power .....	1
4	9558-029-003	Strip , Terminal Marker.....	1
5	9545-045-002	Screw, #8Bx 1/2.....	2
6	9897-034-001	Terminal Block Assembly.....	1
7	9558-027-001	Strip , Terminal Marker.....	1
*	8639-621-007	Screw, Hx #10-32 x 1/2 (ground).....	1
*	8641-582-006	Lockwasher, Ex Tooth # 10.....	1
8	8711-007-001	Transformer, Control.....	1
*	9545-012-009	Screw , Hx. #10-32x1/2.....	2
*	8640-413-002	Nut, Keps - #10-32.....	2

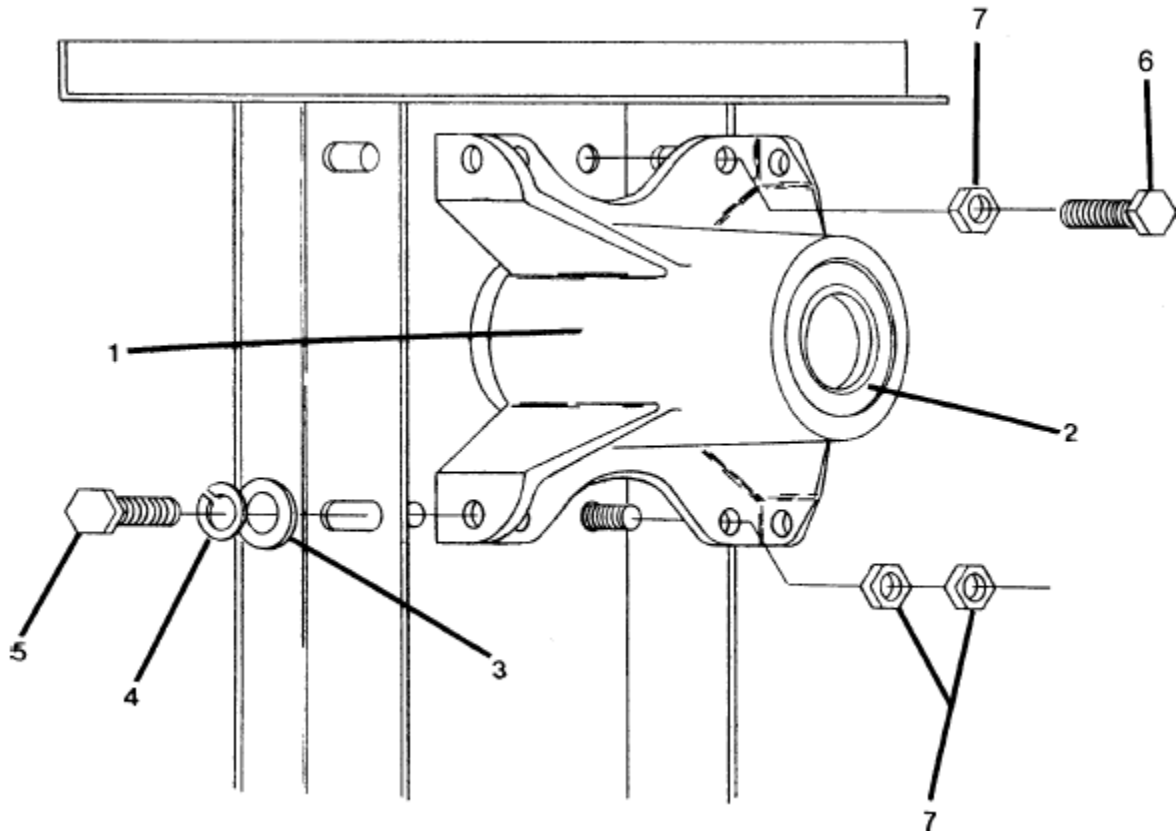
\* Not Illustrated



## BEARING HOUSING GROUP

Key	Part Number	Description	Qty.
*	9803-189-001	Housing, Bearing Ass'y w one (rear) bearing .....	1
1	9241-183-003	Housing, Bearing .....	1
2	9036-159-001	Bearing, Ball-Rear .....	1
*	9036-159-002	Bearing, Ball-Front .....	1
3	8641-581-026	Washer, Flat 1/2" .....	4
4	8641-582-004	Lockwasher spring 1/2" .....	4
5	9545-017-004	Bolt, 1/2-13 x 1 .....	4
6	9545-059-003	Screw, 7/16-14 x 1 1/2 .....	2
*	8641-582-013	Lockwasher, 7/16 .....	2
7	8640-416-001	Nut, 7/16-14 x 1 1/2 .....	4
*	9487-234-001	Ring, Tolerance .....	1

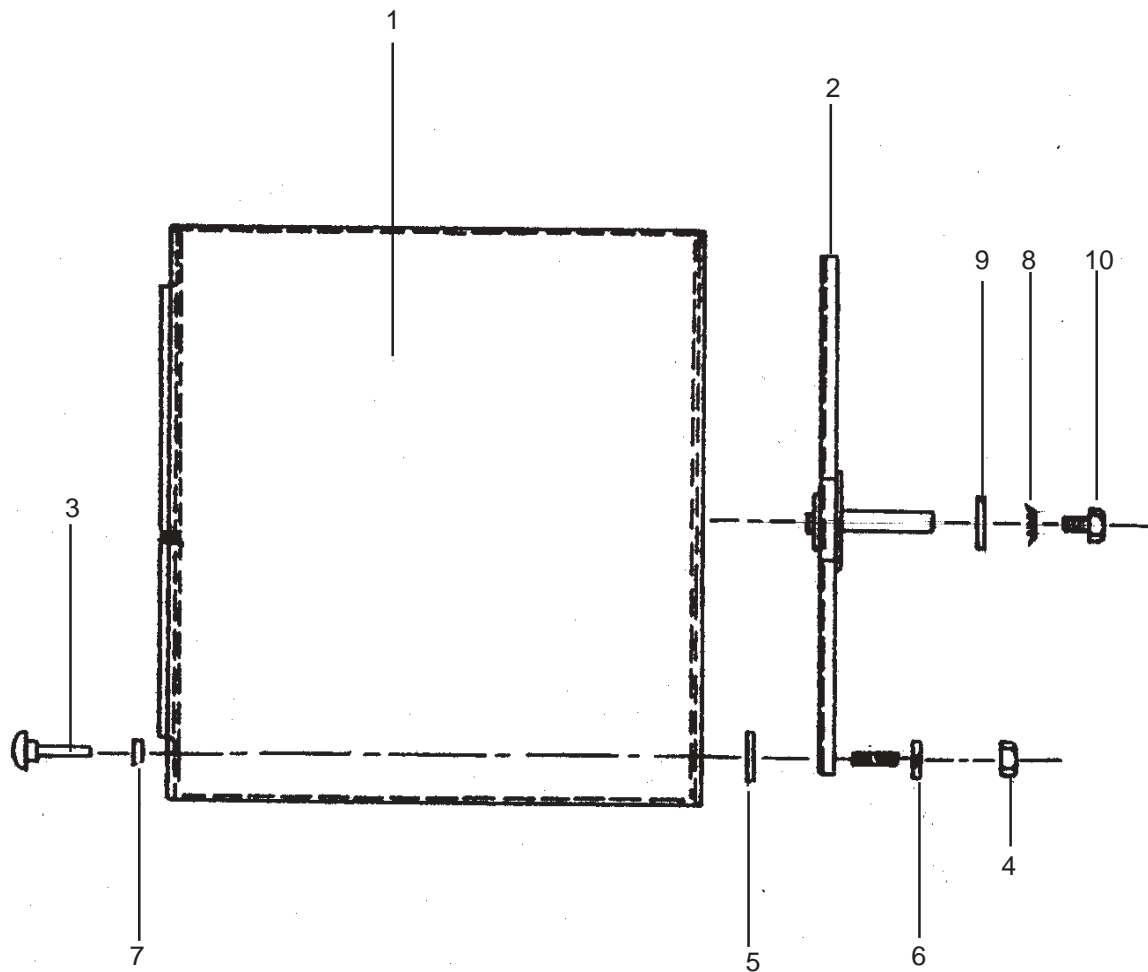
\* Not Illustrated



# TUMBLER GROUP

Key	Part Number	Description	Qty.
1	9848-118-001	Tumbler Assy. ....	1
*	9848-118-002	Tumbler Assy., SS	
2	9873-005-001	Spider Assy., w/bearing on ....	1
3	9497-226-001	Rod, Tumbler .....	4
4	8640-417-002	Nut 1/2"-13 .....	4
5	9552-013-000	Shim .....	4
6	8641-582-004	Washer, Spring Lock - 1/2" .....	4
7	8641-587-001	Washer, Tumbler Rod Special .....	4
*	9487-234-001	Ring, Tolerance .....	1
8	8641-582-016	Lock Washer ext. tooth 1/2", Tumbler Shaft .....	1
9	8641-581-026	Flat Washer 1/2", Tumbler Shaft .....	1
10	9545-017-009	Screw, Tumbler Shaft 1/2-13 x 1 1/4" .....	1

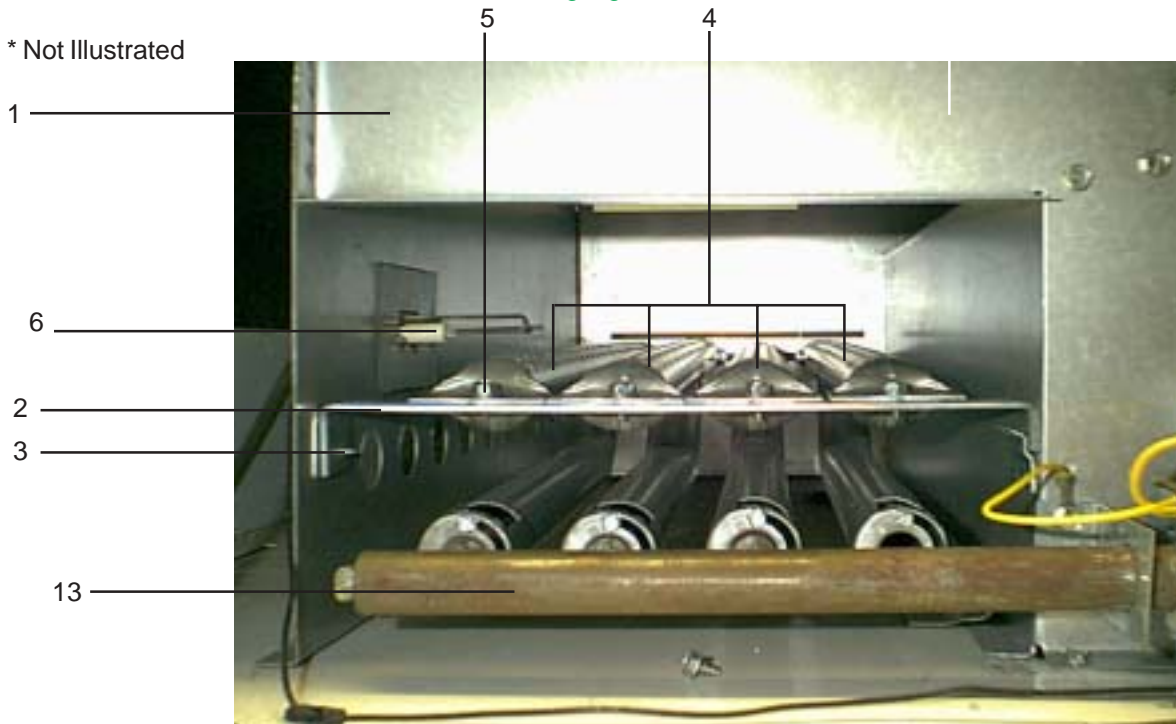
\* Not Illustrated



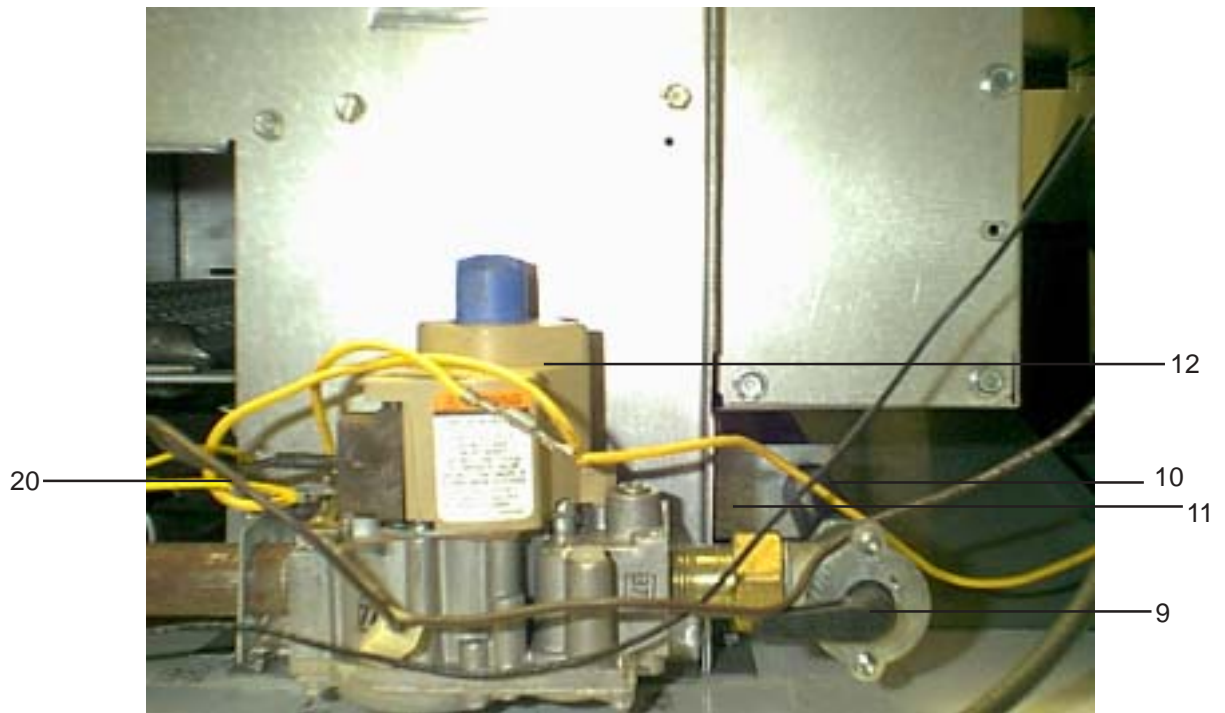
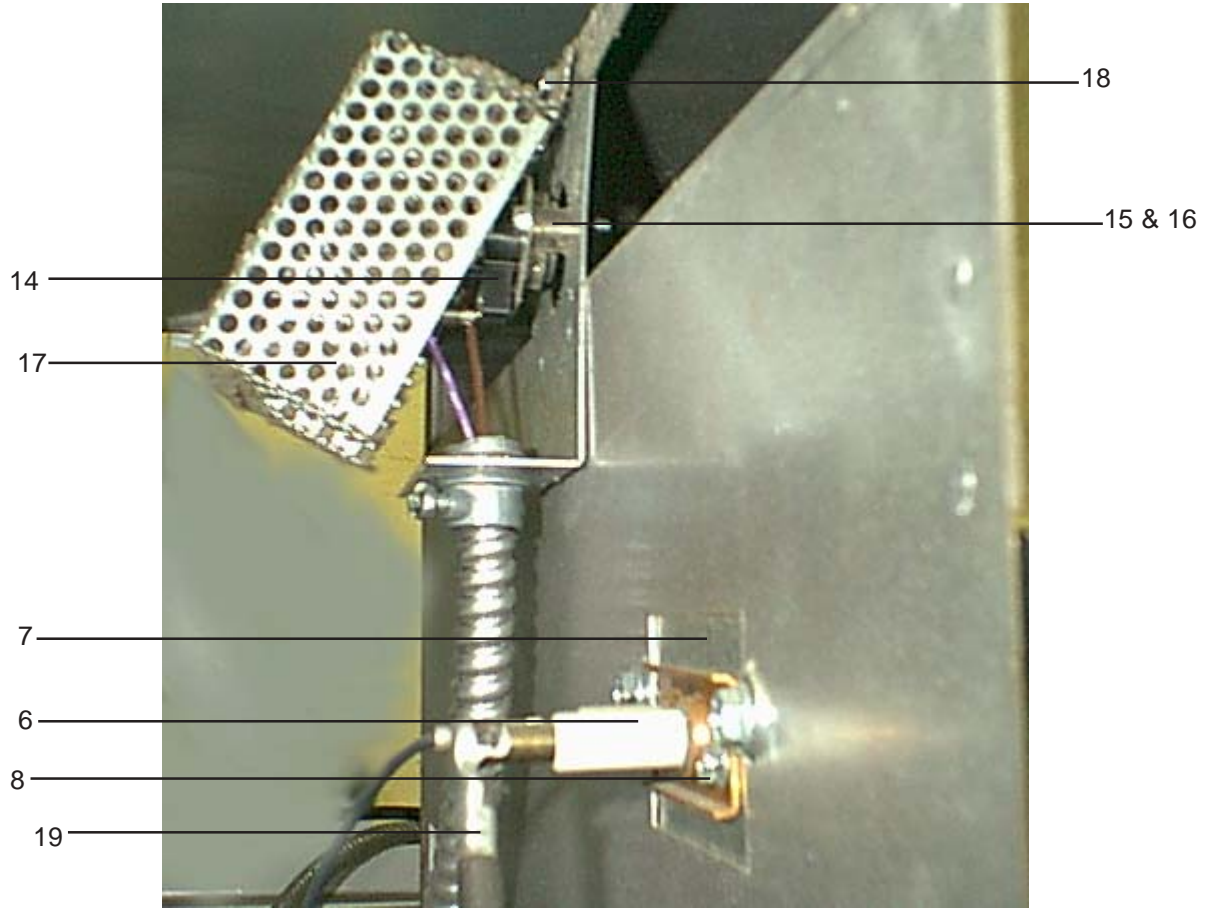
## BURNER HOUSING GROUP

Key	Part Number	Description	Qty.
1	9803-195-001	Housing Assembly, Burner .....	1
*	9545-008-024	Screw .....	4
2	9548-280-001	Support, Front Burner .....	1
3	9545-008-008	Screw 10T-32 x 1/2" .....	1
4	9048-018-001	Burner, Main .....	4
5	9545-008-008	Screw 10T-32 x 1/2" .....	4
6	9875-002-002	Electrode, Ignition .....	1
7	9452-645-001	Plate, Electrode Mtg .....	1
8	9545-045-001	Screw, Electrode Mtg 8B x 11/4" .....	2
9	9379-164-002	Valve, Gas Shut-Off w/ brass union .....	1
10	9458-020-003	Pipe, Gas Line .....	1
11	9039-915-001	Bracket, Gas Line Pipe .....	1
12	9857-134-002	Control Assy, Gas .....	1
13	9381-011-001	Manifold Assy., 4 port .....	1
*	9425-069-021	Orifice, Burner - Natural .....	4
*	9425-069-022	Orifice, Burner - LP .....	4
*	9732-102-010	Kit, LP Conversion .....	1
14	9576-203-002	Thermostat, Hi-Limit .....	1
15	9538-142-001	Spacer, Hi-Limit .....	2
16	9545-045-007	Screw 8B x 3/4" .....	2
17	9074-234-001	Cover, Hi-Limit Stat .....	1
18	9545-008-024	Screw 10B x 3/8" .....	1
19	9631-403-003	Wire Ass'y, High Voltage .....	1
20	9627-711-001	Harness, Low Voltage Ignition .....	1

\* Not Illustrated



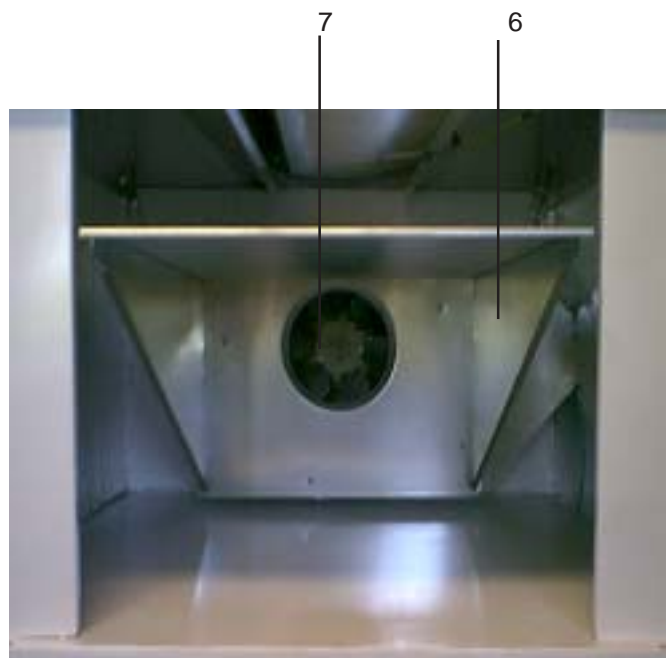
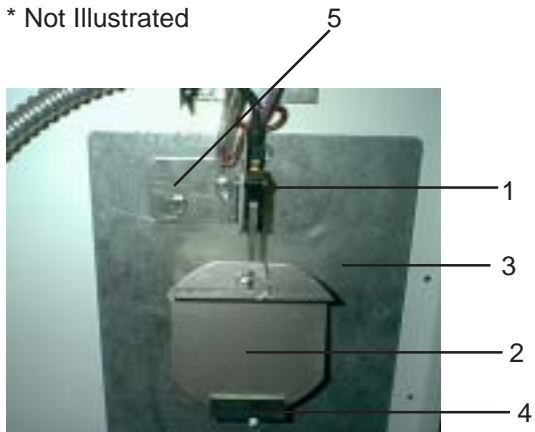




## Air Flow Switch, Lint Hood, & Blower Impeller Group

Key	Part Number	Description	Qty.
1	9539-461-009	Switch, Air Flow .....	1
*	9545-020-001	Screw, Hx #4-40 x 5/8 .....	2
*	8640-401-001	Nut, Special Twin #4-40 .....	1
2	9008-007-001	Actuator-Switch, Air Flow .....	1
*	9451-169-002	Pin, Cotter .....	1
3	9074-283-001	Plate, Cover .....	1
4	9029-046-001	Actuator Stop .....	1
5	9029-100-001	Bracket, Switch .....	1
*	9545-008-001	Screw 10B x 1/4 .....	4
*	9039-575-000	Bracket, Conduit .....	1
6	9834-009-001	Hood Ass'y, Lint .....	1
*	8640-412-004	Nut, Whizlock .....	6
*	9822-031-002	Lint Screen 34" length .....	1
7	9278-037-003	Impeller, w/set screws .....	1
*	9074-275-002	Cover-Half, Blower Impeller (Flat) .....	1
*	9074-275-003	Cover-Half, Blower Impeller (Formed) .....	1
*	9545-008-001	Screw, Hex #10Bx1/4 .....	4
8	9576-207-006	Thermostat, Safety .....	1
9	9825-057-002	Cover, Safety Thermostat.....	1
*	9545-008-001	Screw 10B x 1/4 .....	2
*	9345-981-001	Schematic Wiring.....	1
*	9345-982-001	Diagram Wiring .....	1

\* Not Illustrated





## DRIVE GROUP

Key	Part Number	Description	Qty.
1	9376-299-002	Motor, Drive .....	1
*	9545-014-004	Screw, Hx 5/16-18 x 5/8" .....	4
*	8640-400-003	Nut 5/16-18 .....	4
2	9453-157-001	Pulley, Motor .....	1
*	9545-028-013	Screw, Set .....	2
3	9991-054-002	Support Ass'y, Motor .....	1
4	9545-029-005	Screw 3/8-16 x 1" .....	4
4	8640-415-004	Nut 3/8-16 .....	4
5	9991-053-001	Support Assy, Intermed. Pulley .....	1
6	9545-029-010	Bolt, Rd Hd, 3/8-16 x 1 1/4" .....	3
7	9545-029-003	Screw, 3/8-16 x 1 1/2" .....	1
8	8640-415-004	Nut 3/8-16 .....	3
*	8641-581-035	Washer, Flat .....	4
9	9861-024-003	Arm Assy-Tension .....	1
*	8641-581-035	Washer, Flat .....	1
*	9487-200-006	Ring-Retaining .....	1
10	9908-042-006	Pulley Assy, Intermediate - w/bearings .....	1
11	9036-159-007	Bearing, Ball-Idler Pulley .....	2
*	9538-173-002	Spacer, Bearing .....	1
12	9908-043-002	Pulley Driven .....	1
*	9487-234-001	Ring, Tolerance .....	1
13	8641-581-026	Washer, Flat .....	1
13	8641-582-016	Lockwasher .....	1
13	9545-017-009	Screw, Hx Cap .....	1
14	9040-077-004	Belt, Final Drive .....	1
15	9040-077-003	Belt, Motor Drive .....	1
16	9534-151-000	Spring, Belt Tension .....	1
17	9099-012-002	Chain, Spring Tension .....	1
18	9248-022-002	Hook, Tension .....	1
*	9208-050-001	Guard, Drive .....	1
19	9454-685-001	Panel, Drive Guard, RH .....	1
20	9454-686-001	Panel, Drive Guard, LH .....	1
21	9550-175-001	Shield, Motor .....	1
*	9545-008-003	Screw .....	2
22	9545-008-024	Screw ( to attach guards above ) .....	30

\* Not Illustrated



