

# EMPLOYEE OWNED

# MADE IN THE U.S.A. • SINCE 1894

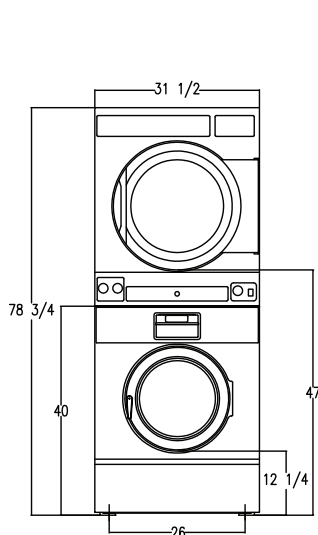


**DEXTER.**  
LAUNDRY

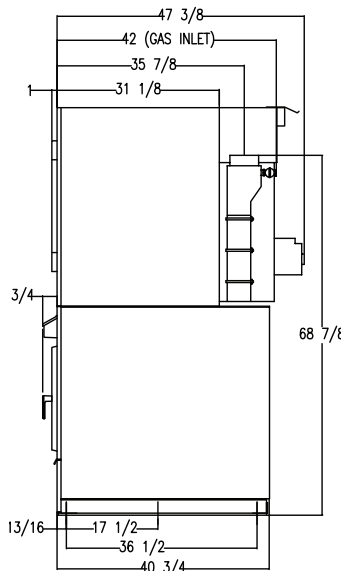
## Dexter On-Premise Stack Washer Dryer Specifications

Washer		
<b>Dimensions / Capacity</b>		
Dry Weight Capacity	30 lb	(13.6 kg)
Cylinder Diameter	25.0"	(63.5 cm)
Cylinder Depth	14.13"	(35.9 cm)
Cylinder Volume	4.0 cu.ft.	(113.4 l)
Floor to Door Bottom	16"	(40.6 cm)
Door Opening	15.25"	(38.71 cm)
<b>Speeds G-Force (RPM)</b>		
High Speed Extract	200 G	(750 RPM)
Intermed. Extract Speed	60 G	(411 RPM)
Washing Speed	.96 G	(50 RPM)
Motor Size	2 HP	(1.5 kW)
<b>Electrical</b>		
Electrical Phase	<b>60 Hz</b>	<b>50 Hz</b>
Electrical Voltage	Single or Three	Single
Electrical Running (Amps)	208-240	230
Circuit Protection (Amps)	6.2	6.5
Electrical Wire Size	15 amp	15 amp
Electrical Service (Single)	12 gauge	12 gauge
Electrical Service (Three)	2 Wire + Ground	2 Wire + Ground
	3 Wire + Ground	---
<b>Water</b>		
Water Inlet Size	3/4"	(19mm)
Flow Rate (per min)	9 gal	(34.1 L)
Pressure (min/max)	30-120 psi	(207-827 Kpa)
Drain Diameter (O.D.)	3"	(7.61 cm)
Floor to Center of Drain	4.5"	(11.23 cm)
<b>Installation Recommendations</b>		
Clearance Between Machines	1/2" (min)	(1.31 cm)
Clearance Behind Machines	24" (min)	(61.1 cm)
Concrete Thickness	6" (min)	(15.24 cm)
Net Weight - lb (kg)	1039 lbs	(471.3 kg)
<b>Shipping Dimensions:</b>		
Shipping Weight	1090 lbs	(494.4 kg)
Height - in (cm)	83.25"	(211.38 cm)
Width - in (cm)	33.0"	(83.22 cm)
Depth - in (cm)	54.0"	(137.2 cm)

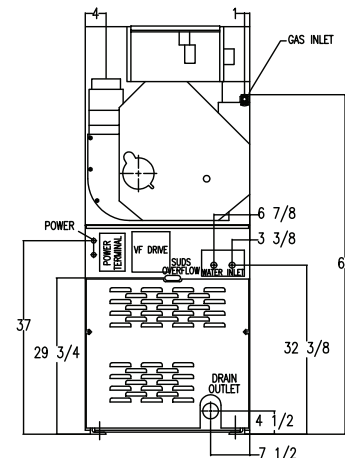
Dryer		
<b>Dimensions / Capacity</b>		
Dry Weight Capacity	30 lb	(13.6 kg)
Cylinder Diameter	30.0"	(76.2 cm)
Cylinder Depth	27.5"	(69.9 cm)
Cylinder Volume	11.25 cu.ft.	(325.6 l)
Floor to Door Bottom	48.0"	(115.2 cm)
Door Opening	22.7"	(57.6 cm)
<b>Airflow - cfm (M3/min)</b>		
60Hz	500 cfm	(14.6 M3/min)
50Hz	450 cfm	(12.7 M3/min)
<b>BTU's / Circuit Breaker / Running Amps / Wire Size</b>		
Gas Supply Connection	0.5"	(12.7 mm)
Natural Gas Supply - (water column)	4 - 10"	(10.2 - 25.4 cm)
LP Gas Supply - (water column)	11.5 - 14"	(29.2 - 35.5 cm)
<b>Gas Models</b>		
60 Hz	80,000 BTU/hr (26.4 kW) / pocket	
50 Hz	74,000 BTU/hr (21.7 kW) / pocket	
<b>Gas</b>		
-21 (230/50/1 - 3 wire + ground)	15 amp / 5.0 amp / #12	
-10 (120/60/1 - 2 wire + ground)	15 amp / 9.8 amp / #12	
<b>Electric (per pocket)</b>		
-27FL (220/50/1 - 2 wire + ground) - 20kW	110 amp / 110 amp / #1/0	
-64FN (400/50/3 - 4 wire + ground) - 24kW	50 amp / 45 amp / # 6	
<b>Installation Recommendations</b>		
Clearance Behind Machines	18"	(45.7 cm)
Make-up Air Req. (per dryer)	1.0 sq.ft.	(1394 sq.cm)
Exhaust Size - in (cm)	6"	(20.3 cm)
Approvals**		



Front



Side



Back



# DEXTER EXPRESS ON-PREMISE STACK WASHER DRYER

**Dexter On-Premise Stack Washer Dryers Are Designed, Tested  
And Manufactured To Ensure Superior Performance**



## **DEXTER STACK WASHER DRYER FEATURES:**

### **RELIABLE DESIGN:**

- Heavy-Duty Bearings in a Cast Iron Bearing Housing
- Welded Steel Spider and Shaft
- 180 Degree Wide Door Openings
- Fits through a Standard 36" Doorway
- 10 Year Washer Warranty on the Trunion, Bearings and Bearing Housing
- 5 Year Dryer Warranty On The Trunion, Bearings, And Bearing Housing
- 3 Year Parts Warranty

### **PERFORMANCE FEATURES**

- Perforated Drums and Balanced Airflow
- Easy to Modify Cycle Times, Temperatures and Cool Down
- Extra Large Lint Screens are Easy to Clean and Maintain
- High Efficiency Recirculating Air Design Reduces Gas Usage
- 6 Cycle Washer Programming
- Lower Service Panel for Simpler Installation and Service

### **OPTIONS:**

- Galvanized or Stainless Steel Cylinders (Dryers Only)
- Dryers Available as Natural Gas (Propane Kits Available)
- Standard 200g Force Extraction  
(100g Force is Available for Turnout and other Protective Gear)
- Choice of Stainless Steel or Chrome Door on Dryer

**Ask your Dexter Authorized Distributor For More Details!**

**[www.dexter.com](http://www.dexter.com)**



**1- 800-524-2954**