

# Section 4

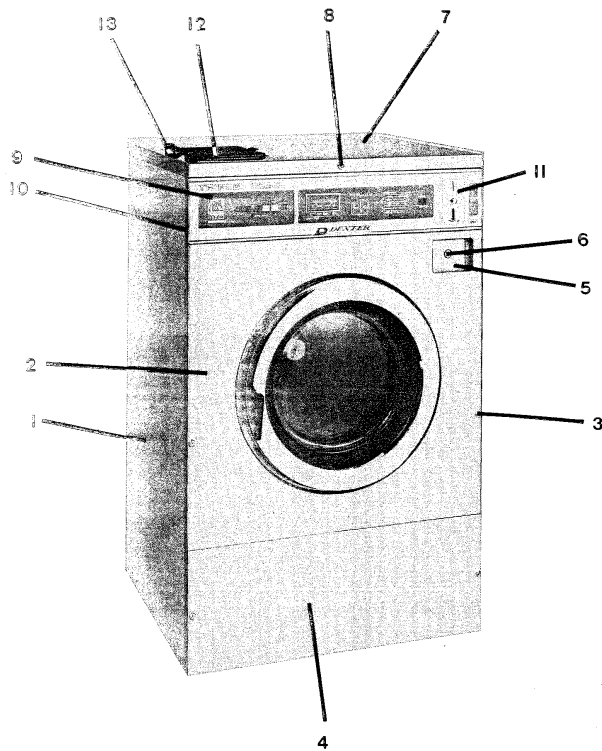
## PARTS DATA THOROUGHbred 400

NOTE:

<b>SERIES</b>	<b>WCK4AA — 220-240 VOLTS, 60 HZ, 1 PHASE</b>
	<b>WCK4AB — 208-240 VOLTS, 60 HZ, 3 PHASE</b>

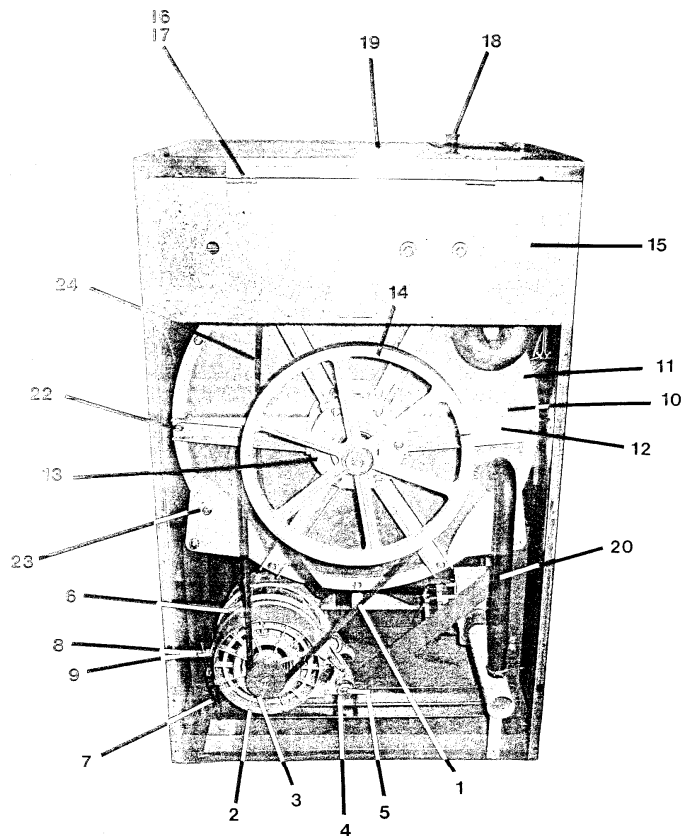
### ACCESSORIES

<b>Part Number</b>	<b>Description</b>	
9990-027-011	Hose, Water Supply (furnished)	2
8641-242-000	Washer, Inlet Hose (furnished)	2
9565-003-001	Strainer, Inlet Hose (furnished)	2
9732-069-001	Hour Meter Kit	
9249-001-001	Hourmeter	
9732-106-003	Manual Operation Kit	
9539-474-001	Switch, Blk/Red	
9539-474-002	Switch, Blk/Wht	
8545-051-003	Special Tool For Removing Coin Acceptor Mounting Screws. (Torx Size T-10)	
9732-116-001	Replace Elmo Mechanism Switch with Sympax Solid State	



## CABINET AND FRONT PANEL GROUP

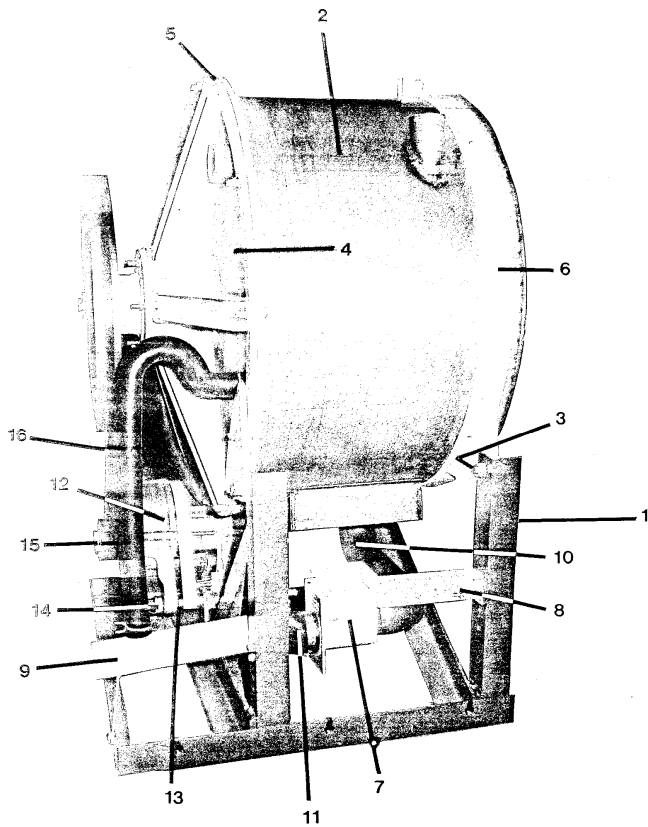
			MODELS	
			W	W
			C	C
			K	K
			4	4
			A	A
			A	B
Key	Part Number	Description		
1	9454-629-006	Panel, Side (Left or Right) — Gray	2	2
1	9454-629-007	Panel, Side (Left or Right) — Stainless	2	2
*	9545-018-013	Screw, (Side Panel to Base)	6	6
*	8640-414-004	Nut, Hex	6	6
*	8641-582-007	Lockwasher	6	6
2	9989-438-001	Panel Assy, Front	1	1
*	9059-063-002	Band, Edge Protector	1	1
*	8640-399-005	Nut, Spring	3	3
*	9545-008-005	Screw, Hex	5	5
3	9545-008-014	Screw, Flat Head	4	4
3	8641-585-001	Washer, Finish	4	4
*	8502-624-001	Label, Door Opening	1	1
4	9108-092-003	Door, Lower Service	1	1
*	9545-008-015	Screw, Locator	4	4
5	9807-077-007	Box Assy, Coin (See Coin Box Group)	1	1
6	8650-012-002	Lock, Coin Box (See Coin Box Group)	1	1
*	9942-024-006	Vault Assy, Coin	1	1
*	9545-008-005	Screw, Vault Mounting	4	4
7	9454-627-003	Panel, Top	1	1
8	8650-012-003	Lock, Top (w/Key)	1	1
*	9306-025-001	Key, Top-6324		
*	9095-038-001	Cam, Lock-Top	1	1
*	8220-001-280	Wire Assy, Ground	1	1
*	9067-001-004	Cable, Top Panel Stop	1	1
*	9076-056-002	Collar, Cable Stop	2	2
*	9545-010-006	Screw, Cable Stop	2	2
*	9086-017-001	Catch, Top Panel Locator	2	2
*	9467-024-001	Post, Top Panel Locator	2	2
*	8640-411-003	Nut	2	2
9	9412-076-003	Nameplate, Control Panel	1	1
10	9989-447-002	Panel, Control (Mounts Nameplate)	1	1
*	9545-008-006	Screw, Control Panel Mtg	4	4
11	9021-003-001	Acceptor, Coin (25¢)	4	1
*	9545-020-002	Screw, Acceptor Mounting	4	4
*	8640-424-002	Nut, Acceptor Mounting	4	4
12	9108-095-001	Door, Dispenser	1	1
13	9467-025-001	Post, Door Mounting	2	2
*	9451-191-001	Pin, Plain	2	2
*	9545-045-002	Screw, Dispenser Post Mtg	4	4
*	9545-008-012	Screws, Dispenser Mounting	4	4
*	8640-399-007	Nuts, Spring	4	4
*	NOT ILLUSTRATED	Used throughout parts data section of book.		



DRIVE & SUPPORT GROUP

DRIVE AND SUPPORT GROUP

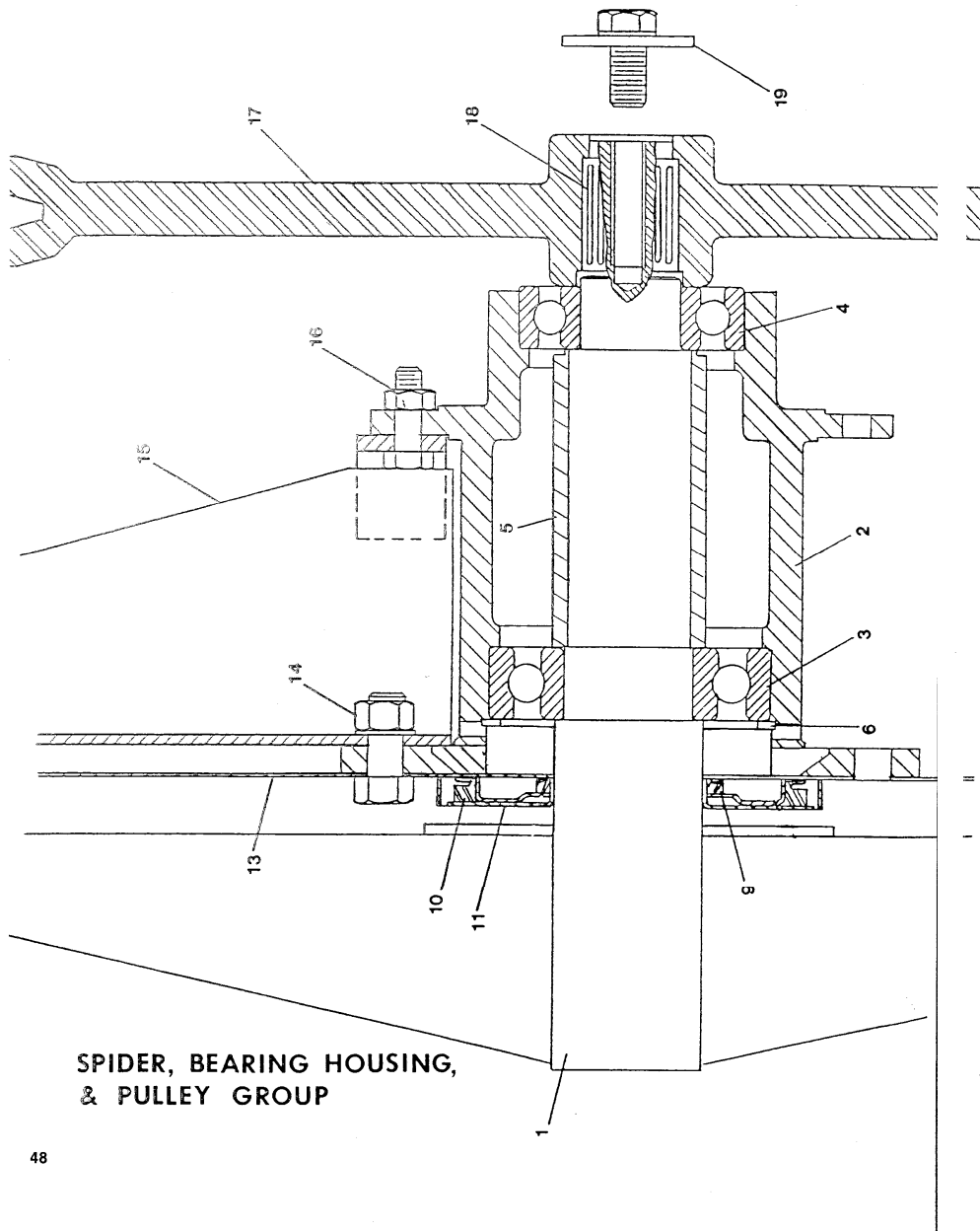
		MODELS	
		W	W
		C	C
		K	K
		4	4
		A	A
		A	B
Key	Part Number	Description	
1	9040-076-005	Drive Belt	1 1
2	9376-293-009	Drive Motor, 1 Phase (Century)	1 1
2	9376-293-008	Drive Motor, 3 Phase (Century)	1 1
3	9453-169-003	Pulley, Motor-Century	1 1
*	9545-028-013	Set Screw	2 2
4	9497-222-002	Rod, Motor Mtg	1 1
5	9076-052-002	Collar, Shaft (w/set screws)	3 3
6	9544-050-001	Strap, Motor Tension	1 1
7	9534-319-002	Spring, Belt Tension	1 1
8	9545-055-001	Bolt, Eye	1 1
9	8640-414-003	Nut	1 1
10	9962-008-003	Back Assy., Tub	1 1
11	9950-041-002	Ring Assy., Tub Mtg. — Rear	1 1
12	9991-048-002	Support Assy., Bearing Hsg.	6 6
13	9241-169-002	Housing, Bearing	1 1
14	9453-168-002	Pulley, Driven	1 1
15	9081-107-001	Channel, Rear	1 1
*	9545-008-005	Screw	4 4
*	8640-399-004	Nut, Spring	14 14
16	9243-067-001	Hinge, Left Hand	1 1
17	9243-067-002	Hinge, Right Hand	1 1
*	9545-018-003	Screw	8 8
*	8641-582-007	Lockwasher	8 8
*	8640-414-001	Nut	8 8
18	9108-095-001	Door, Dispenser	1 1
*	9467-025-001	Post, Door Mounting	2 2
*	9451-191-001	Pin, Plain	2 2
*	9545-012-017	Screw, Dispenser Post Mtg.	4 4
*	9545-008-012	Screws, Dispenser Mounting	4 4
*	8640-399-007	Nuts, Spring	4 4
19	9454-627-003	Panel, Top	1 1
20	9242-449-002	Hose, Overflow	1 1
*	8654-029-000	Clamp, Hose	2 2
22	9545-029-003	Screw (1 1/2")	16 16
22	8640-415-004	Nut	16 16
*	9552-038-001	Shim, Support Assy	
23	9545-029-006	Screw (1 3/4")	2 2
23	8640-415-004	Nut	2 2
*	9989-439-002	Panel Assy., Back	1 1
*	9545-008-005	Screw	10 10
24	9242-175-000	Hose, Pressure Switch	1 1
*	8654-059-000	Clamp, Pressure Sw. Hose	1 1



CHASSIS & DRAIN GROUP

CHASSIS AND DRAIN GROUP

		MODELS		
		W	W	
		C	C	
		K	K	
		4	4	
		A	A	
		A	B	
Key	Part Number	Description		
1	9945-087-002	Base Assy, Frame	1	1
2	9930-134-002	Tub Assy	1	1
3	9545-017-009	Screw	4	4
3	8641-582-016	Lockwasher	4	4
3	8640-417-002	Nut	4	4
4	9962-008-003	Back Assy, Tub	1	1
5	9950-041-002	Ring Assy, Tub Mtg-Rear	1	1
6	9950-040-002	Ring Assy, Tub Mtg-Front	1	1
*	9545-017-003	Bolt, Top Front Band	1	1
*	8641-582-016	Lockwasher	1	1
*	8640-417-002	Nut, Hex	1	1
7	9379-187-001	Valve, Drain	1	1
8	9029-056-001	Bracket, Drain Valve	1	1
*	9545-048-001	Screw, Valve to Bracket	1	1
*	9545-030-002	Screw, Bracket Mtg	2	2
9	9915-119-002	Tube Assy, Drain	1	1
*	9545-030-002	Screw, Tube Mtg	2	2
10	9242-456-001	Hose, Tub to Drain Valve	1	1
11	9242-457-001	Hose, Drain Valve to Tube	1	1
*	8654-117-014	Clamp, Hose	4	4
12	9376-293-009	Motor, Drive (1 PH)	1	
12	9376-293-008	Motor, Drive (3 PH)		1
13	9497-222-002	Rod, Motor Mtg	1	1
14	9076-052-002	Collar, Shaft	2	2
*	9545-029-005	Screw, Motor Mtg Rod	1	1
*	8641-582-014	Lockwasher	1	1
15	9453-169-003	Pulley, Motor	1	1
*	9545-028-013	Set Screw, long	2	2
16	9040-076-005	Belt, Drive	1	1
*	9552-038-003	Shim, Support Assembly	AR	AR

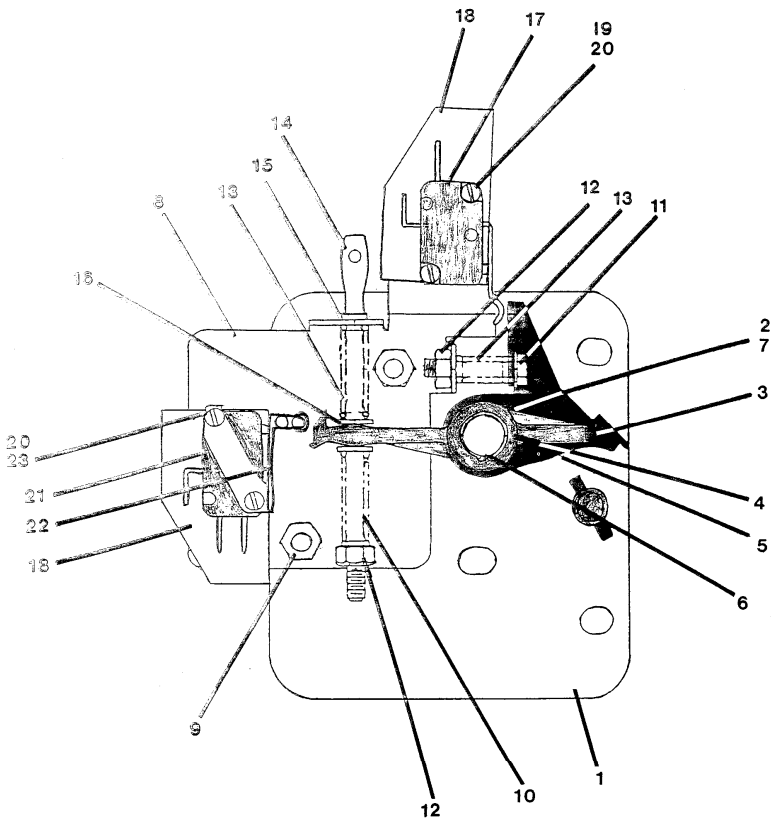


SPIDER, BEARING HOUSING,  
& PULLEY GROUP

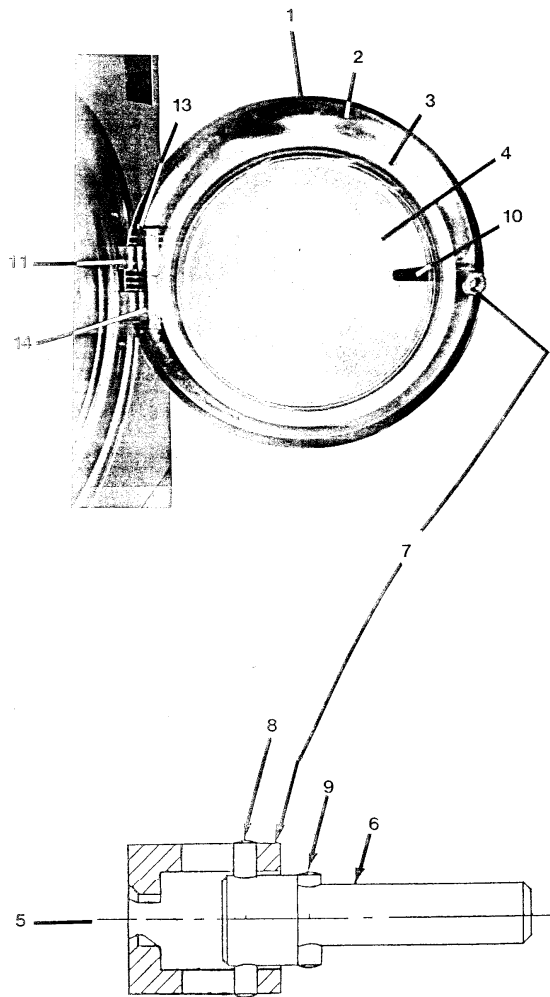
SPIDER, BEARING HOUSING AND PULLEY GROUP

Key	Part Number	Description	MODELS	
			W C K 4 A A	W C K 4 A B
1	9848-109-001	Cylinder, Assy . . . . .	1	1
2	9803-179-002	Housing, Bearing-Assembly (includes items #2-#7)	1	1
*	9241-169-002	Housing, Bearing . . . . .	1	1
3	9036-159-002	Bearing, Front . . . . .	1	1
4	9036-159-001	Bearing, Rear . . . . .	1	1
5	9538-158-001	Spacer, Bearing . . . . .	1	1
6	9487-238-001	Ring-Retainer, Internal . . . . .	1	1
9	9532-140-003	Seal, Secondary . . . . .	1	1
10	9532-140-002	Seal, Primary . . . . .	1	1
11	9950-042-001	Ring, Seal Mtg . . . . .	1	1
13	9962-008-003	Back Assy, Tub . . . . .	1	1
14	9545-017-009	Screw . . . . .	1	1
14	8640-417-002	Nut . . . . .	6	6
14	8641-582-016	Lockwasher . . . . .	6	6
15	9991-048-002	Support Assy., Bearing Housing . . . . .	6	6
16	9545-029-003	Screw . . . . .	6	6
16	8640-415-004	Nut . . . . .	6	6
17	9453-168-002	Pulley, Driven . . . . .	6	1
18	9487-234-001	Ring, Tolerance . . . . .	1	1
19	8641-581-026	Washer . . . . .	1	1
19	9545-017-009	Screw . . . . .	1	1
19	8641-582-016	Lockwasher . . . . .	1	1

**DOOR LOCK GROUP  
REMOTELY MOUNTED SOLENOID STYLE**



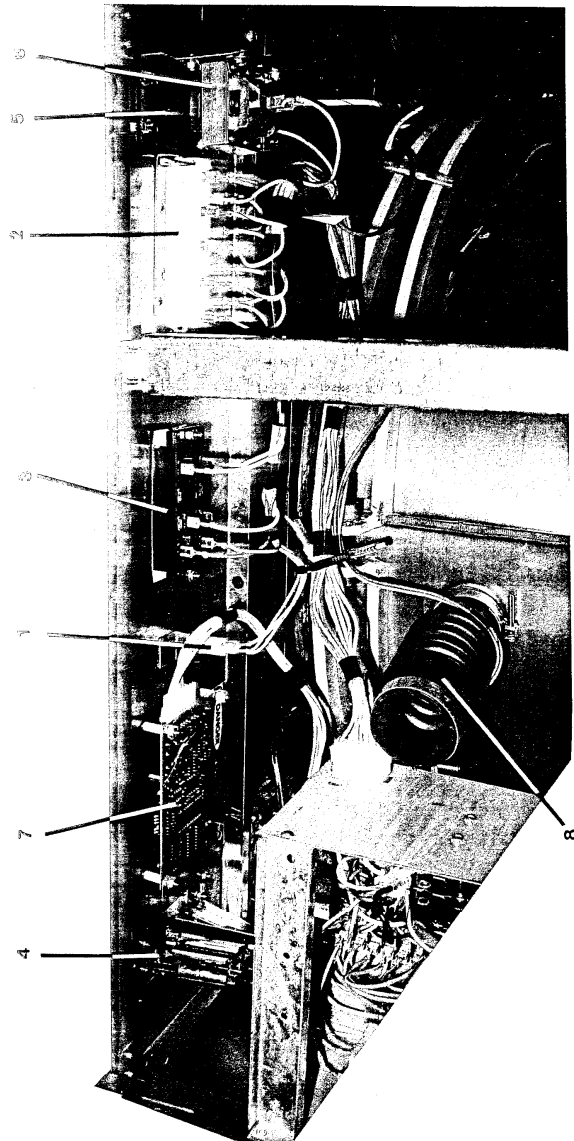
		MODELS		
Key	Part Number	Description	W C K 4 A A	W C K 4 A B
*	9885-023-001	Lock Assy, Complete	1	1
1	9982-284-001	Plate Assy, Door Lock	1	1
2	8641-581-030	Washer, Flat	1	1
3	9008-005-001	Actuator, Latching Switch	1	1
4	9450-002-002	Pawl, Locking	1	1
5	8641-569-003	Washer, Spring	1	1
6	9487-200-004	Ring, Retaining	1	1
7		Grease	AR	AR
8	9029-035-001	Bracket, Switch	1	1
9	9640-413-002	Nut, Hex	2	2
10	9534-364-001	Spring, Actuating	1	1
11	9545-012-020	Screw, Hx	1	1
12	8640-413-004	Nut, Elastic Stop	2	2
13	9534-364-001	Spring, Return	2	2
14	9451-193-001	Pin, Guide	1	1
15	9487-200-005	Ring, Retaining	1	1
16	8641-581-031	Washer	2	2
	9534-364-002	Spring, Actuating	1	1
17	9539-461-003	Switch, Latching Sensing	1	1
18	9550-169-003	Shield, Switch	3	3
19	9545-020-001	Screw	2	2
20	8640-401-001	Nut, Twin	2	2
21	9539-461-004	Switch, Locking Sensing	2	2
22	9008-006-002	Actuator, Switch	2	2
23	9545-020-003	Screw	2	2
*	9552-037-001	Shim, Door Lock, Thin	AR	AR
*	9552-037-002	Shim, Door Lock Thick	AR	AR
*	9545-018-004	Screw, Lock mtg	3	3
*	8641-582-007	Lockwasher	3	3
*	9029-040-002	Bracket, Solenoid	1	1
*	9536-074-001	Solenoid	1	1
*	9545-008-001	Screw	4	4
*	8640-413-002	Nut	4	4
*	9497-225-004	Rod, Pull	1	1



**LOADING DOOR GROUP  
REMOTELY MOUNTED SOLENOID STYLE LOCK**

**MODELS**

Key	Part Number	Description	MODELS	
			W C K 4 A A	W C K 4 A B
		Loading Door, Complete	1	1
1	9960-259-002	Loading Door, Ring	1	1
2	9487-230-001	Gasket, Loading Door	1	1
3	9206-417-001	Window, Loading Door	1	1
4	9635-016-001	Shaft Assy, Locking	1	1
5	9913-134-003	Shaft, Door Locking	1	1
6	9537-195-002	Cam, Locking	1	1
7	9095-040-001	Pin, Groove (1 1/4")	1	1
8	9451-181-005	Pin, Groove (3/4")	1	1
9	9451-181-004	Spring, Lock Cam	1	1
*	9534-360-001	Handle, Door	1	1
10	9244-080-001	Pin, Door Handle (groove)	1	1
*	9451-181-006	Hinge Assy, Loading Door	1	1
11	9955-028-003	Shim, Loading Door Hinge, Thin	AR	AR
*	9552-036-001	Shim, Loading Door Hinge, Thick	AR	AR
*	9545-014-009	Screw, Hinge Mtg	3	3
*	8641-582-009	Lockwasher	3	3
13	9451-184-002	Pin, Loading Door Hinge	1	1
*	8649-031-000	Ring, Retaining	1	1
14	9079-122-001	Clamp, Loading Door Hinge Pin	1	1
*	9545-056-001	Screw, Loading Door Mtg	3	3
*	9487-233-001	Ring, Masking	1	1
*	9545-010-010	Screw	8	8
*	9059-063-003	Band, edge protector	1	1
*	9029-040-002	Bracket, Solenoid	1	1
*	9536-074-001	Solenoid	1	1
*	9545-008-001	Screw	4	4
*	8640-413-002	Nut	4	4
*	9497-225-004	Rod, Pull	1	1

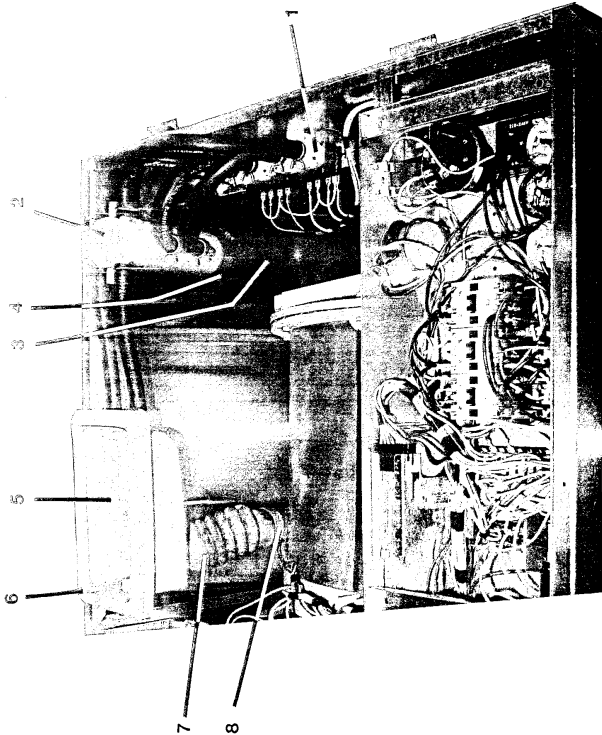


## CONTROL PANEL GROUP

Key	Part Number	Description	MODELS	
			W C K 4 A A	W C K 4 A B
1	3310-042-001	Light, Bleach . . . . .	1	1
2	3310-041-001	Light, Cycle Control . . . . .	1	1
3	9539-479-001	Switch, Pushbutton (cycle selector) . . . . .	1	1
	8502-629-001	Label, switch . . . . .	1	1
*	8640-412-005	Nut, Switch Mtg. . . . .	2	2
4	9021-003-001	Acceptor, Coin . . . . .	1	1
*	9545-020-002	Screw, Acceptor Mtg. . . . .	4	4
*	8640-424-002	Nut . . . . .	4	4
*	9539-466-004	Switch, Coin . . . . .	1	1
5	9029-040-002	Bracket, Solenoid . . . . .	1	1
6	9536-074-001	Solenoid . . . . .	1	1
*	9545-008-001	Screw . . . . .	4	4
*	8640-413-002	Nut . . . . .	4	4
*	9497-225-004	Rod, Pull . . . . .	1	1
7	9020-004-001	Accumulator, Coin . . . . .	1	1
*	9538-157-003	Spacer . . . . .	3	3
*	8640-412-005	Nut, Hx . . . . .	6	6
*	9550-171-001	Shield, Circuit Board . . . . .	1	1
8	9242-450-001	Hose, Dispenser to Tub . . . . .	1	1
*	8654-117-008	Clamp . . . . .	2	2



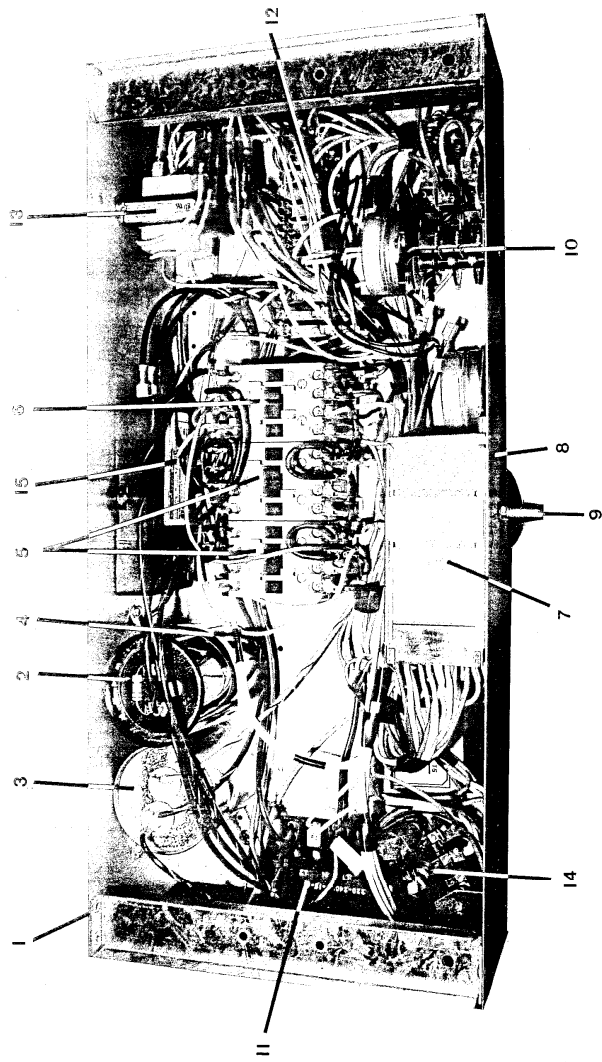
**SOAP HATCH AND WATER INLET GROUP**



**MODELS**

W W  
C C  
K K  
4 4  
A A  
A B

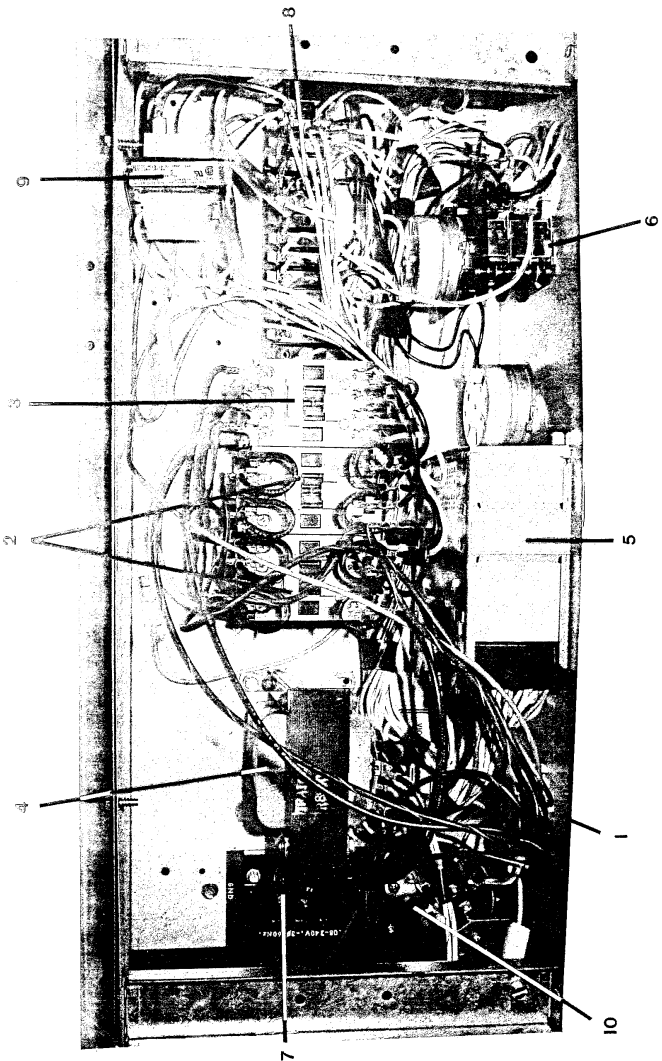
Key	Part Number	Description		
1	9379-183-001	Valve, Water Inlet . . . . .	2	2
*	5555-056-001	Screen, Inlet . . . . .	2	2
*	9089-017-001	Coil Assy., 120 V . . . . .	2	2
*	9118-049-001	Diaphragm . . . . .	2	2
*	9211-021-002	Guide, Solenoid . . . . .	2	2
*	9015-008-001	Armature . . . . .	2	2
*	9534-298-001	Spring, Armature . . . . .	2	2
*	9545-008-005	Screw, Valve Mtg . . . . .	4	4
*	8640-399-006	Nut, Spring . . . . .	4	4
2	9610-001-001	Vacuum Breaker . . . . .	1	1
*	9029-006-001	Bracket, Vacuum Breaker . . . . .	1	1
*	9545-008-005	Screw . . . . .	4	4
3	9242-458-002	Hose, Vacuum Breaker to Tub . . . . .	1	1
4	8654-117-014	Clamp, Vacuum Breaker End . . . . .	1	1
*	8654-117-009	Clamp, Tub End . . . . .	1	1
5	9732-108-001	Dispenser . . . . .	1	1
6	9206-416-001	Gasket, Dispenser . . . . .	1	1
*	8640-399-007	Nut . . . . .	4	4
7	9242-450-001	Hose, Dispenser to Tub . . . . .	1	1
8	8654-117-008	Clamp, Dispenser Hose . . . . .	2	2
9	9242-453-002	Hose, Hot Valve to Vac. Brkr . . . . .	2	2
*	9242-453-004	Hose, Cold Valve to Vac. Brkr . . . . .	2	2
*	9242-453-003	Hose, Vac. Brkr. to Wash Dis . . . . .	1	1
*	9242-453-005	Hose, Vac. Brkr. to Rinse Dis . . . . .	1	1
*	8654-040-000	Clamp, Hose-Spring . . . . .	10	10
*	8654-117-002	Clamp, Hose-Worm . . . . .	2	2



**ELECTRICAL COMPONENTS TOP COMPARTMENT  
1 PHASE**

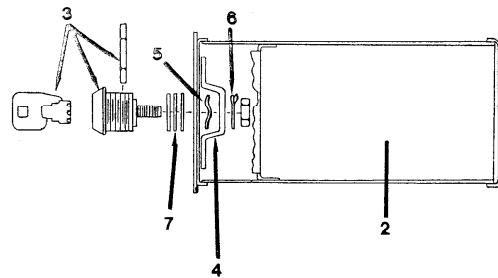
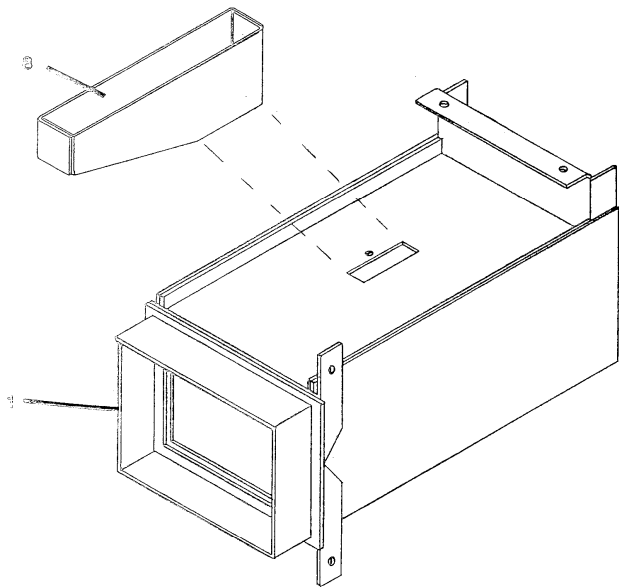
MODEL  
W  
C  
K  
4  
A  
A

Key	Part Number	Description	Quantity
1	9839-012-001	Trough Assy, Controls Mtg . . . . .	1
*	9029-010-002	Bracket, Trough to Rear Channel . . . . .	1
*	9545-008-005	Screw . . . . .	4
2	5191-102-005	Capacitor, Spin-Start (Century) . . . . .	1
*	9483-002-001	Resistor, Bleed-off . . . . .	1
3	5191-103-010	Capacitor, Run-Tumble (Century) . . . . .	1
4	9544-049-002	Strap, Capacitor Mtg (Century) . . . . .	1
*	9545-045-001	Screw, Capacitor Strap . . . . .	2
5	5192-286-001	Relay, Tumble . . . . .	2
6	5192-286-002	Relay, Spin . . . . .	1
*	8652-132-001	Terminal, Relay Contacts . . . . .	1
*	8652-132-003	Terminal, Relay Coil . . . . .	1
7	9571-359-002	Timer, Program-After S/N 15440 . . . . .	1
7	9571-359-001	Timer, Program-Before S/N 15440 . . . . .	1
<b>(VERIFY PART NUMBER ON TIMER BODY)</b>			
*	9376-285-002	Motor, Timer Main Drive . . . . .	1
*	9376-286-002	Motor, Timer Rapid Advance . . . . .	1
*	9545-012-001	Screw, Timer . . . . .	2
8	9107-066-002	Dial, Timer . . . . .	1
9	9307-176-001	Knob, Timer (w/set screws) . . . . .	1
10	9571-360-001	Timer, Reversing . . . . .	1
*	9545-044-004	Screw, Reversing Timer . . . . .	2
11	9897-028-001	Terminal Block, Power Connection . . . . .	1
12	9897-029-001	Terminal Block Assy, 12 Lug . . . . .	1
13	8711-003-001	Transformer, (for accumulator) . . . . .	1
14	9539-457-001	Switch, Pressure . . . . .	1
*	9488-008-002	Rail, Relay Mtg. . . . .	1
*	5198-211-004	Circuit Breaker, 1.5 amp . . . . .	1
*	8652-130-037	Lug, Grounding . . . . .	4
15	9539-478-001	Solid State Start Switch . . . . .	1



**ELECTRICAL COMPONENTS TOP COMPARTMENT  
3 PHASE**

			MODEL
Key	Part Number	Description	W C K 4 A B
1	9839-012-001	Trough Assy, Controls Mtg	1
*	9029-010-002	Bracket, Trough to Rear Channel	1
*	9545-008-005	Screw	4
2	5192-286-001	Relay, Tumble	2
3	5192-286-003	Relay, Spin	1
4	8711-004-001	Transformer, Control	1
5	9571-359-002	Timer, Program-After S/N 15440	1
5	9571-359-001	Timer, Program-Before S/N 15440	1
<b>(VERIFY PART NUMBER ON TIMER BODY)</b>			
*	9376-285-002	Motor, Timer Main Drive	1
*	9376-286-002	Motor, Timer Rapid Advance	1
*	9545-012-001	Screw, Timer	2
*	9107-066-002	Dial, Timer	1
*	9307-176-001	Knob, Timer (w/set screws)	1
6	9571-360-001	Timer, Reversing	1
*	9545-044-004	Screw, Reversing Timer	2
7	9897-028-001	Terminal Block, Power Connection	1
8	9897-029-001	Terminal Block Assy, 12 Lug	1
9	8711-003-001	Transformer, (For Accumulator)	1
10	9539-457-001	Switch, Pressure	1
*	9488-008-002	Rail, Relay Mtg.	1
*	5198-211-004	Circuit Breaker, 1.5 amp	1
*	8652-130-037	Lug, Grounding	4



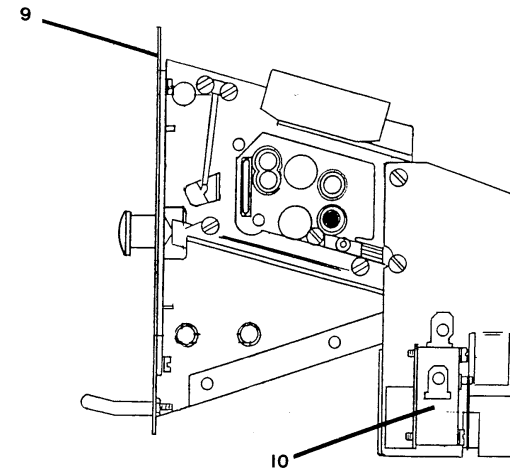
COIN HANDLING GROUP

COIN HANDLING GROUP

MODELS

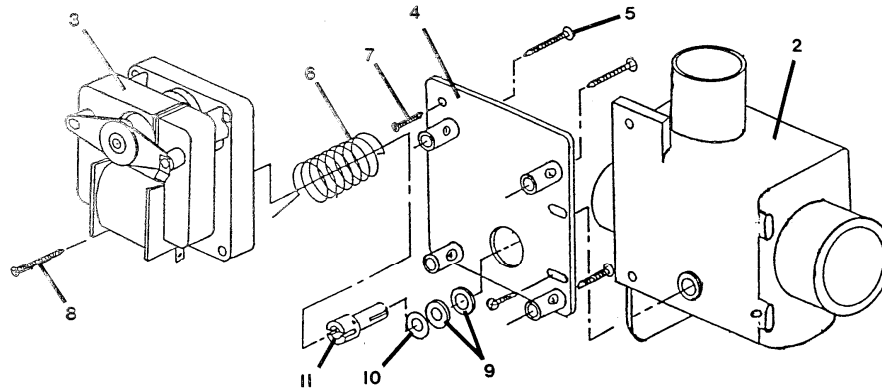
W	W
C	C
K	K
4	4
A	A
A	B

Key	Part Number	Description	W	W
1	9942-024-006	Vault, Assy	1	1
*	9515-008-005	Screw, Vault Mtg	4	4
2	9807-077-007	Box Assy, Coin	1	1
3	8650-012-002	Lock, Coin Box (w/key)	1	1
4	9349-033-001	Latch, Coin Box	1	1
5	8641-569-002	Washer, Wave	1	1
6	8641-583-001	Washer, Keeper	1	1
7	8641-581-008	Washer, Spacer — Thick		
7	8641-581-010	Washer, Spacer — Thin		
8	9940-014-004	Chute Assy, Coin	1	1
*	9545-045-001	Screw, Chute Mtg	1	1
9	9021-003-001	Acceptor, Coin	1	1
*	9545-020-002	Screw, Acceptor Mtg	4	4
*	8640-424-002	Nut	4	4
10	9539-466-004	Switch, Coin	1	1



### GRAVITY DRAIN VALVE GROUP

Key	Part Number	Description	MODELS	
			W C K 4 A A	W C K 4 A B
1	9379-137-001	Valve, Drain	1	1
2	9064-070-001	Body, Valve (w/ ball)	1	1
3	9914-137-001	Motor & Gear Train	1	1
4	9452-538-001	Plate, Motor Mtg	1	1
5	8639-994-001	Screw	3	3
6	9534-339-001	Spring, Drive	1	1
7	9545-054-001	Screw	2	2
8	9545-054-002	Screw	1	1
9	9532-134-001	Seal, V Packer	2	2
10	8841-584-001	Washer	1	1
11	9451-196-001	Pin, Main Drive	1	1



### WIRING HARNESS GROUP

Part Number	Description	MODELS	
		W C K 4 A A	W C K 4 A B
<b>USE FOLLOWING TWO ITEMS WITH TIMER PART NUMBER 9571-359-001</b>			
9627-680-001	Wiring Harness, Main	1	1
9627-681-001	Wiring Harness, Control	1	1
<b>USE FOLLOWING TWO ITEMS WITH TIMER PART NUMBER 9571-359-002</b>			
9627-680-002	Wiring Harness, Main	1	1
9627-681-002	Wiring Harness, Control	1	1
9627-682-001	Wiring Harness, Coin accumulator	1	1
9627-683-001	Wiring Harness, Drain Valve	1	1
* 8654-125-001	Clamp, Cable — 1/4 Dia	1	1
* 8654-125-003	Clamp, Cable — 7/16 Dia	3	3
* 8654-125-004	Clamp, Cable — 3/4 Dia	1	1



**MAINTENANCE NOTES**

---

---

---

---

---

---

---

---

---

---

---

---

---

---

---

---

---

---

---

---

---

---

---

---

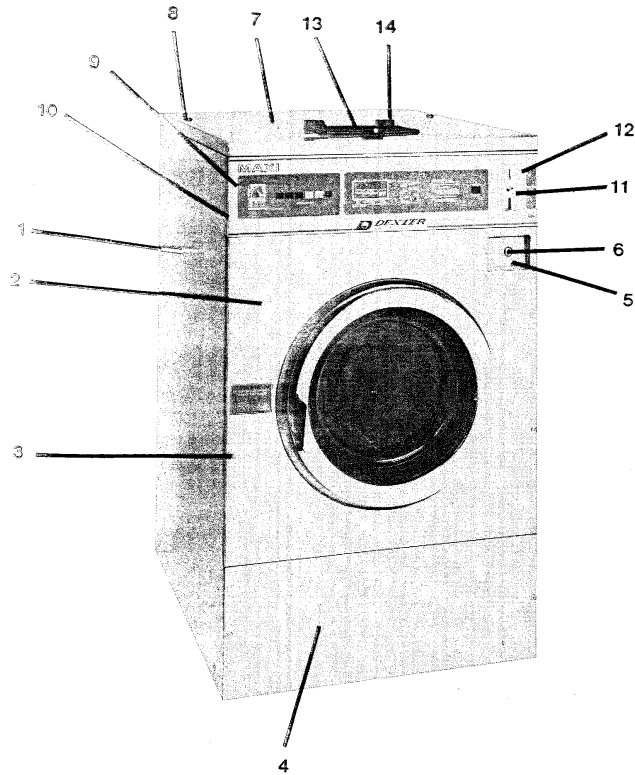
**PARTS DATA THOROUGHbred 600**

NOTE:

<b>SERIES</b>	<b>WCK6AA — 220-240 VOLTS, 60 HZ, 1 PHASE</b>
	<b>WCK6AB — 208-240 VOLTS, 60 HZ, 3 PHASE</b>

**ACCESSORIES**

<b>Part Number</b>	<b>Description</b>	
9990-027-011	Hose, Water Supply (furnished)	2
8641-242-000	Washer, Inlet Hose (furnished)	2
9565-003-001	Strainer, Inlet Hose (furnished)	2
9732-069-001	Hour Meter Kit	
9249-001-001	Hourmeter	
9732-106-003	Manual Operation Kit	
9539-474-001	Switch, Blk/Red	
9539-474-002	Switch, Blk/Wht	
8545-051-003	Special Tool For Removing Coin Acceptor Mounting Screws. (Torx Size T-10)	



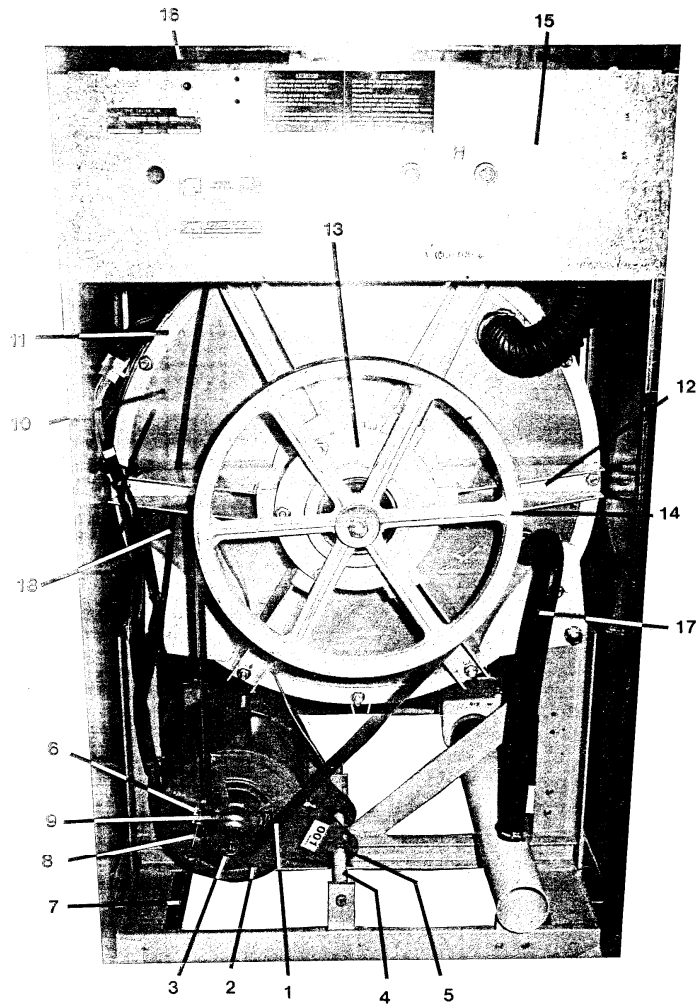
**CABINET AND FRONT PANEL GROUP**

**MODELS**

W C  
K K  
6 6  
A A  
A B

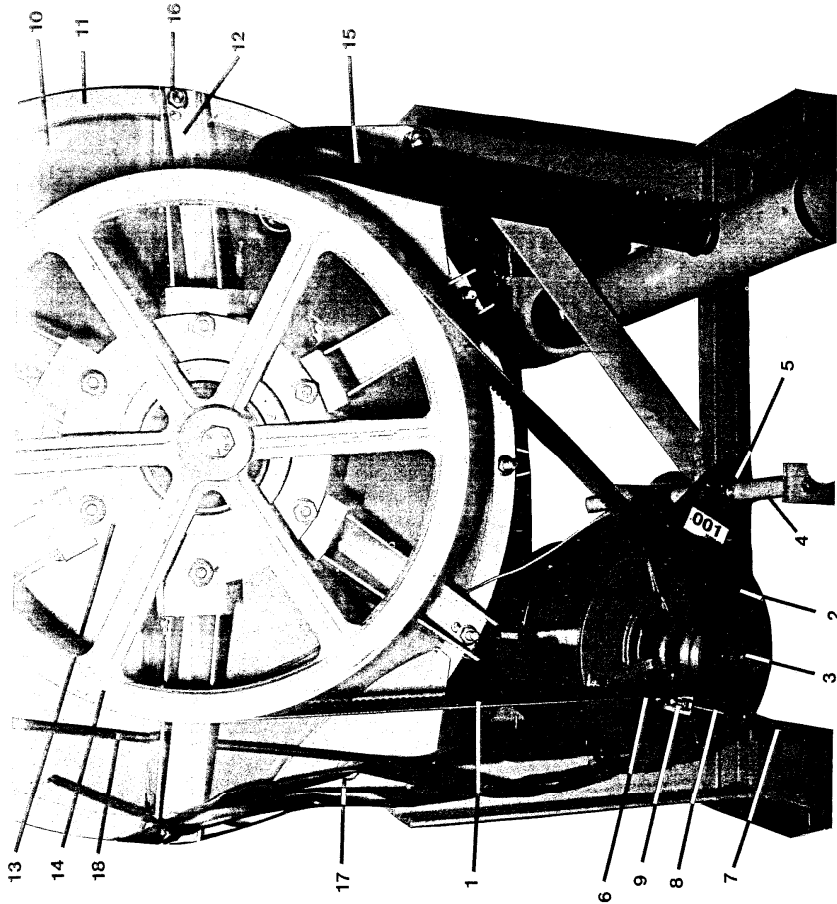
Key	Part Number	Description	2	2
1	9989-449-001	Panel, Side (Left or Right) — Stainless	2	2
*	9543-030-002	Screw, (Side Panel to Base)	8	8
*	8641-582-007	Lockwasher	8	8
2	9989-448-001	Panel Assy, Front	1	1
*	9059-063-002	Band, Edge Protector	1	1
*	8640-413-005	Nut, Whizlock	3	3
*	9545-012-015	Screw, Hex	5	5
3	9545-008-014	Screw, Flat Head	2	2
3	8641-585-001	Washer, Finish	2	2
4	9108-097-001	Door, Lower Service	1	1
*	9545-018-015	Screw, Attachment	2	2
*	8640-399-004	Nut, Spring	2	2
5	9807-077-007	Box Assy, Coin (See Coin Box Group)	1	1
6	8650-012-002	Lock, Coin Box (See Coin Box Group)	1	1
*	9942-026-002	Vault Assy, Coin	1	1
*	9545-008-005	Screw, Vault Mounting	4	4
7	9454-654-001	Panel, Top	1	1
8	8650-018-010	Lock, Top (w/Key)	2	2
*	6292-006-008	Key, Top		
*	9086-018-001	Catch, Top Panel — Left	1	1
*	9086-018-002	Catch, Top Panel — Right	1	1
*	9545-008-015	Screw, Top Panel Locator	2	2
9	9412-076-002	Nameplate, Control Panel	1	1
10	9989-447-001	Panel, Control (Mounts Nameplate)	1	1
*	9545-008-005	Screw, Control Panel Mtg	4	4
11	9021-003-001	Acceptor, Coin (25¢)	4	1
12	9545-020-002	Screw, Acceptor Mounting	4	4
*	8640-424-002	Nut, Acceptor Mounting	4	4
	8502-624-001	Label, Door Opening	1	1
13	9108-095-001	Door, Dispenser	1	1
14	9467-025-001	Post, Door Mounting	2	2
*	9451-191-001	Pin, Plain	2	2
*	9545-045-002	Screw, Dispenser Post Mtg.	4	4
*	9545-008-012	Screws, Dispenser Mounting	4	4
*	8640-399-007	Nuts, Spring	4	4
*	NOT ILLUSTRATED	Used throughout parts data section of book.		





**DRIVE AND SUPPORT GROUP (A)**

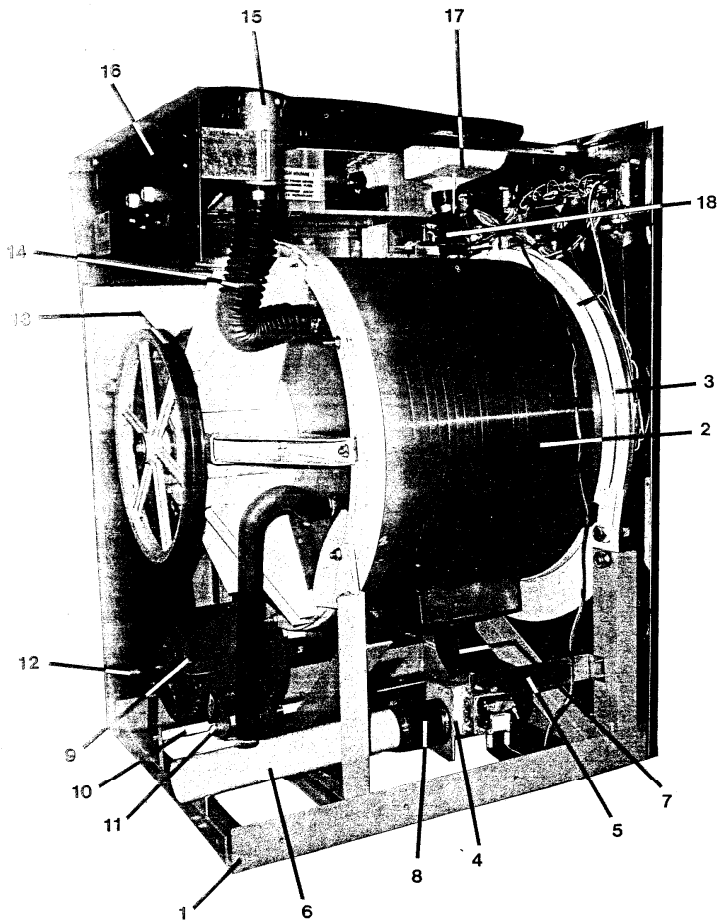
Key	Part Number	Description	MODELS	
			W C K 6 A A	W C K 6 A B
1	9040-076-005	Drive Belt . . . . .	2	2
2	9376-293-012	Drive Motor, 1 Phase (Century) . . . . .	1	
2	9376-293-008	Drive Motor, 3 Phase (Century) . . . . .		1
3	9453-170-002	Pulley, Motor-Century . . . . .	1	1
*	9545-028-013	Screw, Set . . . . .	2	2
4	9497-222-004	Rod, Motor Mtg . . . . .	1	1
*	9545-029-005	Screw . . . . .	1	1
*	8641-582-014	Lockwasher . . . . .	1	1
5	9076-052-002	Collar, Shaft (w/set screws) . . . . .	3	3
6	9029-027-003	Strap, Motor Tension . . . . .	1	1
7	9534-319-002	Spring, Belt Tension . . . . .	1	1
8	9545-055-001	Bolt, Eye . . . . .	1	1
9	8640-414-003	Nut . . . . .	1	1
10	9962-008-002	Back Assy., Tub . . . . .	1	1
11	9950-041-004	Ring Assy., Tub Mtg. — Rear . . . . .	1	1
12	9991-051-002	Support Assy., Bearing Hsg . . . . .	6	6
13	9241-180-002	Housing, Bearing . . . . .	1	1
14	9453-168-003	Pulley, Driven . . . . .	1	1
15	9081-104-001	Channel, Rear . . . . .	1	1
*	9545-008-005	Screw . . . . .	4	4
*	8640-399-004	Nut, Spring . . . . .	14	14
16	9454-654-001	Panel, Top . . . . .	1	1
17	9242-449-002	Hose, Overflow . . . . .	1	1
*	8654-029-000	Clamp, Hose . . . . .	2	2
*	9989-446-001	Panel Assy., Back . . . . .	1	1
*	9545-008-005	Screw . . . . .	10	10
*	8640-399-004	Nut, Spring . . . . .	10	10
18	9242-175-002	Hose, Pressure Switch . . . . .	1	1
*	8654-059-000	Clamp, Pressure Sw. Hose . . . . .	1	1



### DRIVE AND SUPPORT GROUP (B)

#### MODELS

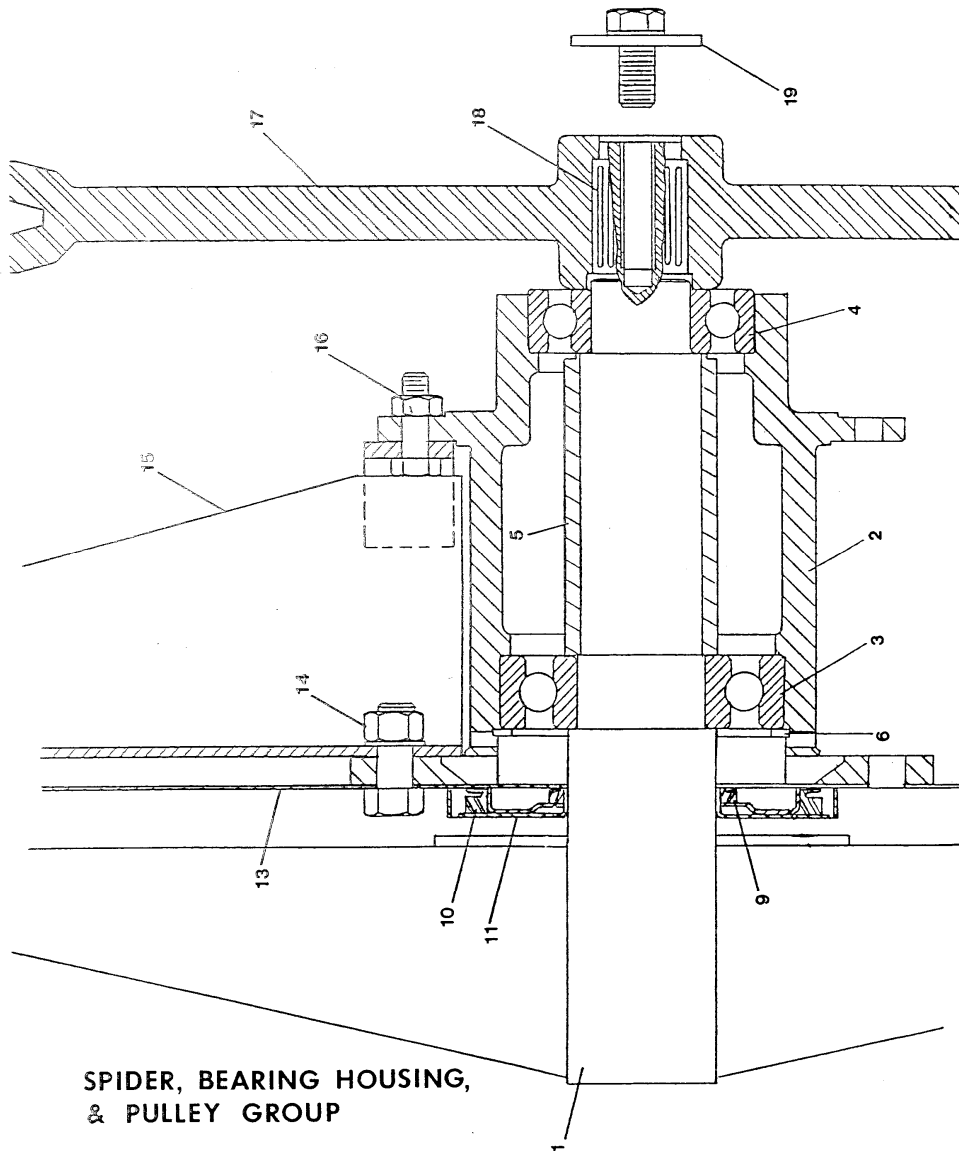
Key	Part Number	Description	MODELS	
			W C K 6 A A	W C K 6 A B
1	9040-076-005	Drive Belt . . . . .	2	2
2	9376-293-012	Drive Motor, 1 Phase (Century) . . . . .	1	
2	9376-293-008	Drive Motor, 3 Phase (Century) . . . . .		1
3	9453-170-002	Pulley, Motor-Century . . . . .	1	1
*	9545-028-013	Set Screw . . . . .	2	2
4	9497-222-004	Rod, Motor Mtg. . . . .	1	1
*	9545-029-005	Screw . . . . .	1	1
*	8641-582-014	Lockwasher . . . . .	1	1
5	9076-052-002	Collar, Shaft (w/set screws) . . . . .	3	3
6	9029-027-003	Strap, Motor Tension . . . . .	1	1
7	9534-319-002	Spring, Belt Tension . . . . .	1	1
8	9545-055-001	Bolt, Eye . . . . .	1	1
9	8640-414-003	Nut . . . . .	1	1
10	9962-008-002	Back Assy., Tub . . . . .	1	1
11	9950-041-004	Ring Assy., Tub Mtg. — Rear . . . . .	1	1
12	9991-051-002	Support Assy., Bearing Hsg. . . . .	6	6
13	9241-180-002	Housing, Bearing . . . . .	1	1
14	9453-168-003	Pulley, Driven . . . . .	1	1
15	9242-449-002	Hose, Overflow . . . . .	1	1
*	8654-029-000	Clamp, Hose . . . . .	2	2
16	9545-059-002	Screw (2") . . . . .	10	10
16	8640-416-005	Nut . . . . .	10	10
17	9545-059-002	Screw (2") . . . . .	2	2
17	8640-416-005	Nut . . . . .	2	2
18	9242-175-002	Hose, Pressure Switch . . . . .	1	1
*	8654-059-000	Clamp, Pressure Sw. Hose . . . . .	1	1



## CHASSIS AND DRAIN GROUP

### MODELS

Key	Part Number	Description	MODELS	
			W C K 6 A A	W C K 6 A B
1	9945-097-002	Base Assy, Frame	1	1
2	9930-136-001	Tub Assy	1	1
*	9967-009-002	Cradle Ass'y, Tub	1	1
3	9950-050-002	Ring Assy, Tub Mtg.—Front	2	2
*	9545-060-002	Bolt, 3/8-11x2 1/2	3	3
*	9545-060-001	Bolt, 3/8-11x1 1/2	4	4
*	8641-582-018	Lockwasher	5	5
*	8640-425-001	Nut, Hex	9	9
4	9379-187-001	Valve, Drain	1	1
5	9029-052-001	Bracket, Drain Valve	1	1
*	9545-048-001	Screw, Valve to Bracket	1	1
*	9545-030-002	Screw, Bracket Mtg	2	2
6	9915-118-002	Tube Assy, Drain	1	1
*	9545-030-002	Screw, Tube Mtg	2	2
7	9242-456-001	Hose, Tub to Drain Valve	1	1
8	9242-457-001	Hose, Drain Valve to Tube	1	1
*	8654-117-014	Clamp, Hose	4	4
9	9376-293-012	Motor, Drive (1 PH)	1	
9	9376-293-008	Motor, Drive (3 PH)		1
10	9497-222-004	Rod, Motor Mtg	1	1
11	9076-052-002	Collar, Shaft	2	2
*	9545-029-005	Screw, Motor Mtg Rod	1	1
*	8641-582-014	Lockwasher	1	1
12	9453-170-002	Pulley, Motor	1	1
*	9545-028-013	Set Screw, long	2	2
13	9040-076-005	Belt, Drive	2	2
*	9552-038-001	Shim, Support Assembly	AR	AR
14	9242-458-002	Hose, Vacuum Brkr. to Tub	1	1
15	9610-001-001	Vacuum Breaker	1	1
16	9081-104-001	Channel, Rear	1	1
17	9732-108-001	Dispenser	1	1
*	9206-416-001	Gasket, dispenser	1	1
18	9242-450-001	Hose, Dispenser to Tub	1	1
*	8654-117-008	Clamp, Dispenser Hose	2	2



SPIDER, BEARING HOUSING,  
& PULLEY GROUP

SPIDER, BEARING HOUSING AND PULLEY GROUP

MODELS

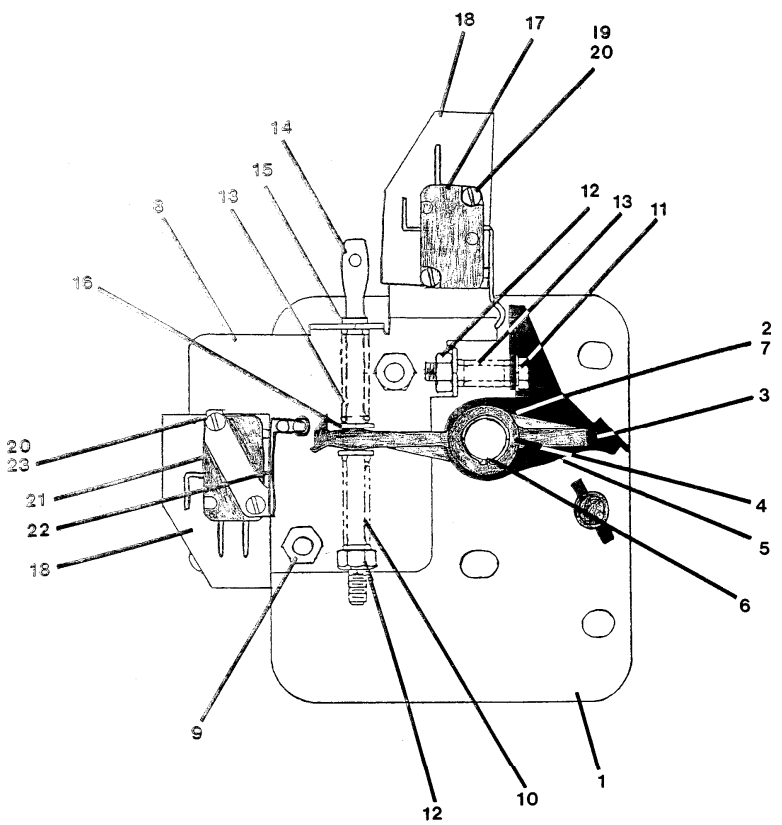
W C W  
C K C  
6 A 6 A  
A B

Key	Part Number	Description	W	C
1	9848-113-001	Cylinder, Assy	1	1
2	9803-186-001	Housing, Bearing-Assembly (includes items #2-#7)	1	1
*	9241-180-002	Housing, Bearing	1	1
3	9036-159-005	Bearing, Front	1	1
4	9036-159-004	Bearing, Rear	1	1
5	9538-167-001	Spacer, Bearing	1	1
6	9487-238-003	Ring-Retainer, Internal	1	1
9	9532-140-006	Seal, Secondary	1	1
10	9532-140-002	Seal, Primary	1	1
11	9950-048-001	Ring, Seal Mtg	1	1
13	9962-008-002	Back Assy, Tub	1	1
14	9545-017-009	Screw	1	1
14	8640-417-002	Nut	6	6
14	8641-582-016	Lockwasher	6	6
15	9991-051-002	Support Assy., Bearing Housing	6	6
16	9545-060-001	Screw	6	6
16	8641-582-018	Lockwasher	6	6
16	8640-425-001	Nut	6	6
17	9453-168-003	Pulley, Driven	6	1
18	9487-234-003	Ring, Tolerance	1	1
19	8641-581-032	Washer	1	1
19	9545-060-001	Screw	1	1
19	8641-582-018	Washer	2	2

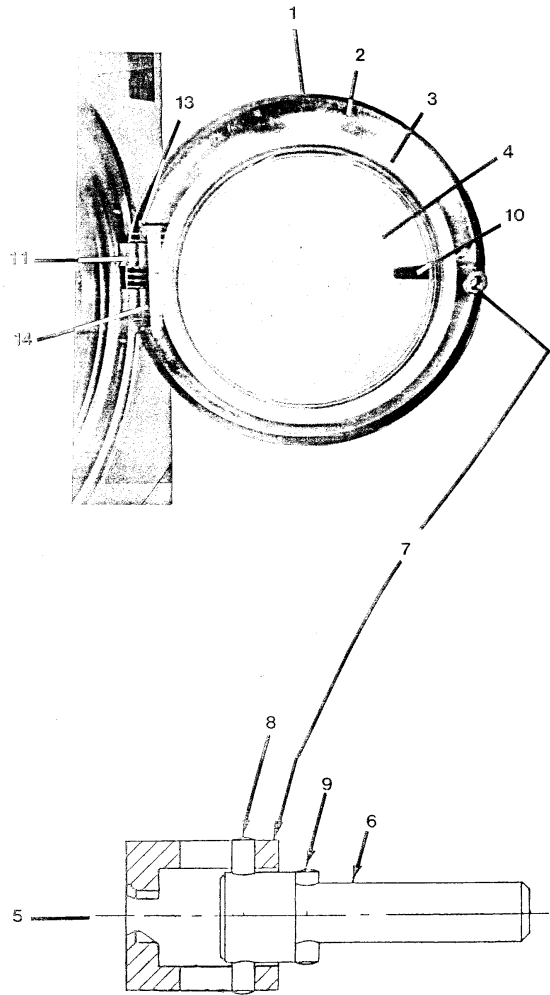
**DOOR LOCK GROUP  
REMOTELY MOUNTED SOLENOID STYLE**

**MODELS**

W W  
C C  
K K  
6 6  
A A  
A B

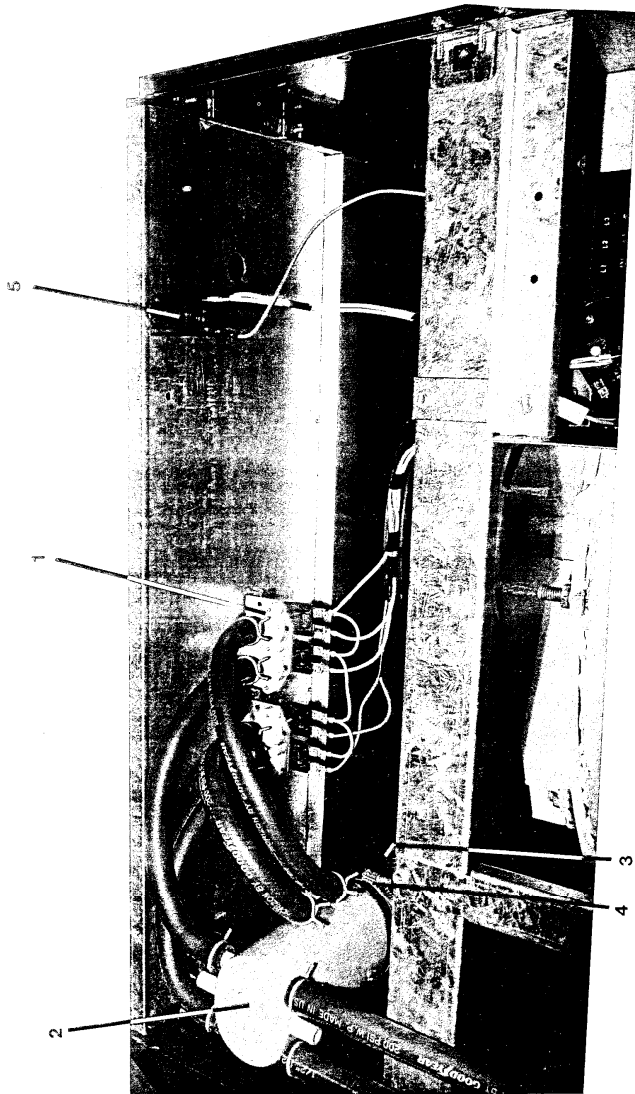


Key	Part Number	Description	W C K 6 A A	W C K 6 A B
*	9885-023-001	Lock Assy, Complete	1	1
1	9982-284-001	Plate Assy, Door Lock	1	1
2	8641-581-030	Washer, Flat	1	1
3	9008-005-001	Actuator, Latching Switch	1	1
4	9450-002-002	Pawl, Locking	1	1
5	8641-569-003	Washer, Spring	1	1
6	9487-200-004	Ring, Retaining	1	1
7		Grease	AR	AR
8	9029-035-001	Bracket, Switch	1	1
9	8640-413-002	Nut, Hex	2	2
10	9534-364-001	Spring, Actuating	1	1
11	9545-012-020	Screw, Hx	1	1
12	8640-413-004	Nut, Elastic Stop	2	2
13	9534-364-001	Spring, Return	2	2
14	9451-193-001	Pin, Guide	1	1
15	9487-200-005	Ring, Retaining	1	1
16	8641-581-031	Washer	2	2
	9534-364-002	Spring, Actuating	1	1
17	9539-461-003	Switch, Latching Sensing	1	1
18	9550-169-003	Shield, Switch	3	3
19	9545-020-001	Screw	2	2
20	8640-401-001	Nut, Twin	2	2
21	9539-461-004	Switch, Locking Sensing	2	2
22	9008-006-002	Actuator, Switch	2	2
23	9545-020-003	Screw	2	2
*	9552-037-001	Shim, Door Lock, Thin	AR	AR
*	9552-037-002	Shim, Door Lock Thick	AR	AR
*	9545-018-004	Screw, Lock mtg	3	3
*	8641-582-007	Lockwasher	3	3
*	9029-040-002	Bracket, Solenoid	1	1
*	9536-074-001	Solenoid	1	1
*	9545-008-001	Screw	4	4
*	8640-413-002	Nut	4	4
*	9497-225-003	Rod, Pull	1	1



**LOADING DOOR GROUP  
REMOTELY MOUNTED SOLENOID STYLE LOCK**

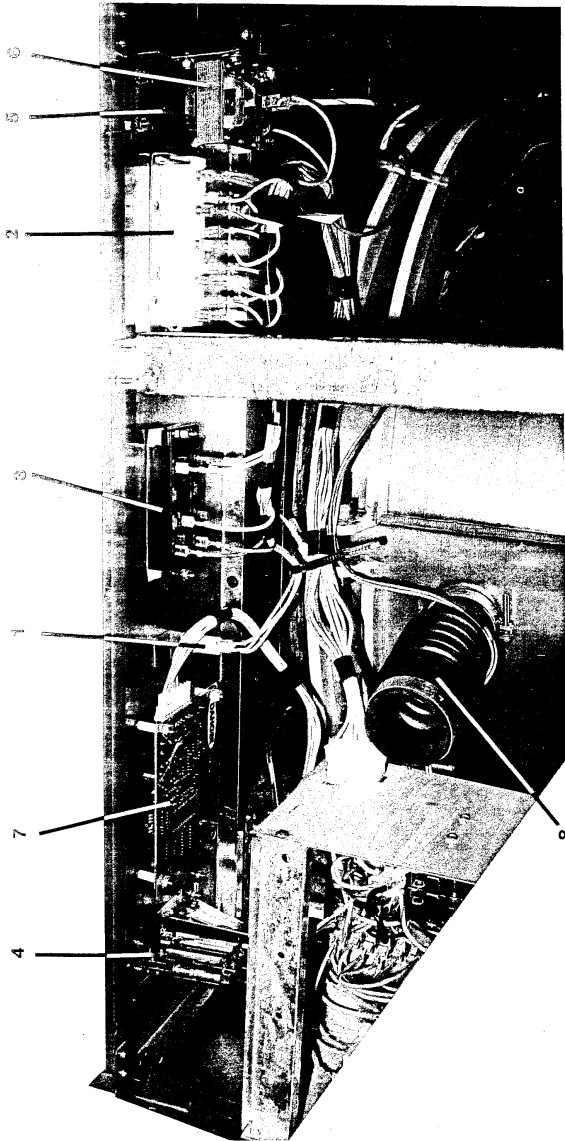
Key	Part Number	Description	MODELS	
			W C K 6 A A	W C K 6 A B
1	9960-259-002	Loading Door, Complete	1	1
2	9487-230-001	Loading Door, Ring	1	1
3	9206-417-001	Gasket, Loading Door	1	1
4	9635-016-001	Window, Loading Door	1	1
5	9913-134-003	Shaft Assy, Locking	1	1
6	9537-195-002	Shaft, Door Locking	1	1
7	9095-040-001	Cam, Locking	1	1
8	9451-181-005	Pin, Groove (1 1/4")	1	1
9	9451-181-004	Pin, Groove (3/4")	1	1
*	9534-360-001	Spring, Lock Cam	1	1
10	9244-080-001	Handle, Door	1	1
*	9451-181-006	Pin, Door Handle (groove)	1	1
11	9955-028-003	Hinge Assy, Loading Door	1	1
*	9552-036-001	Shim, Loading Door Hinge, Thin	AR	AR
*	9552-036-002	Shim, Loading Door Hinge, Thick	AR	AR
*	9545-014-009	Screw, Hinge Mtg	3	3
*	8641-582-009	Lockwasher	3	3
13	9451-184-002	Pin, Loading Door Hinge	1	1
*	8649-031-000	Ring, Retaining	1	1
14	9079-122-001	Clamp, Loading Door Hinge Pin	1	1
*	9545-056-001	Screw, Loading Door Mtg	3	3
*	9487-254-001	Ring, Masking	1	1
*	8640-413-002	Nut, Keps	4	4
*	9029-040-002	Bracket, Solenoid	1	1
*	9536-074-001	Solenoid	1	1
*	9545-008-001	Screw	4	4
*	8640-413-002	Nut	4	4
*	9497-225-003	Rod, Pull	1	1



### WATER INLET GROUP

#### MODELS

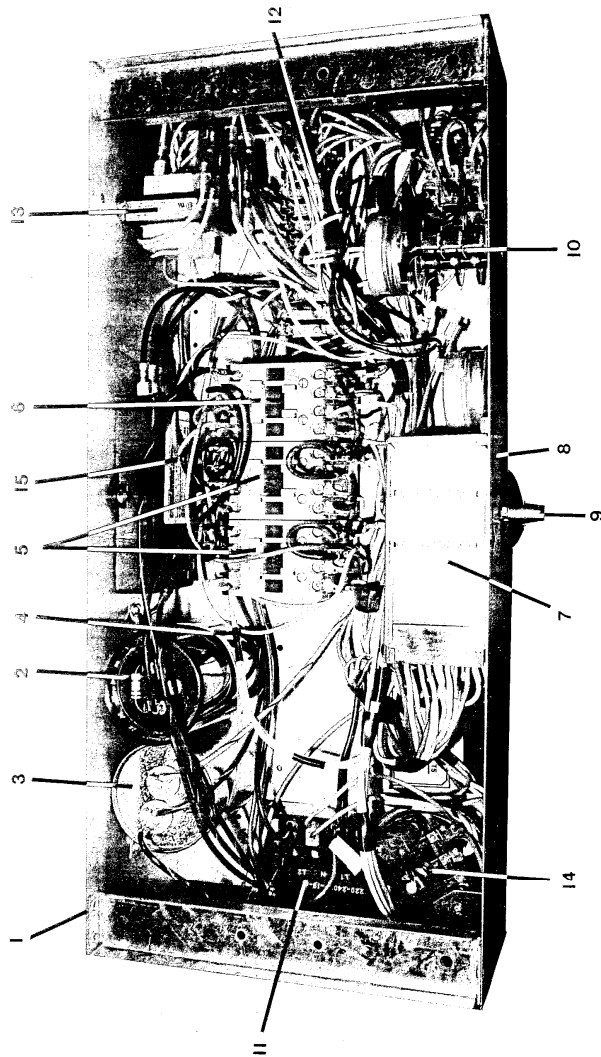
Key	Part Number	Description	MODELS	
			W C K 6 A A	W C K 6 A B
1	9379-183-001	Valve, Water Inlet	2	2
*	9555-056-001	Screen, Inlet	2	2
*	9089-017-001	Coil Assy., 120 V	2	2
*	9118-049-001	Diaphragm	2	2
*	9211-021-002	Guide, Solenoid	2	2
*	9015-008-001	Armature	2	2
*	9534-298-001	Spring, Armature	2	2
*	9545-008-005	Screw, Valve Mtg.	4	4
*	8640-399-006	Nut, Spring	4	4
2	9610-001-001	Vacuum Breaker	1	1
*	9029-006-001	Bracket, Vacuum Breaker	1	1
*	9545-008-005	Screw	4	4
3	9242-458-002	Hose, Vacuum Breaker to Tub-Ribbed	1	1
4	8654-117-014	Clamp, Vacuum Brkr. End	1	1
*	8654-117-009	Clamp, Tub End	1	1
*	9242-453-002	Hose, Hot Valve to Vac. Brkr.	2	2
*	9242-453-004	Hose, Cold Valve to Vac. Brkr.	2	2
*	9242-453-008	Hose, Vac. Brkr. to Wash Dis.	1	1
*	9242-453-009	Hose, Vac. Brkr. to Rinse Dis.	1	1
*	8654-040-000	Clamp, Hose-Spring	10	10
*	8654-117-002	Clamp, Hose-Worm	2	2
5	5198-211-004	Circuit Breaker	1	1
6	8640-359-001	Nut, Speed-grip	2	2
7	9029-051-001	Bracket, Lock Nut	2	2



## CONTROL PANEL GROUP

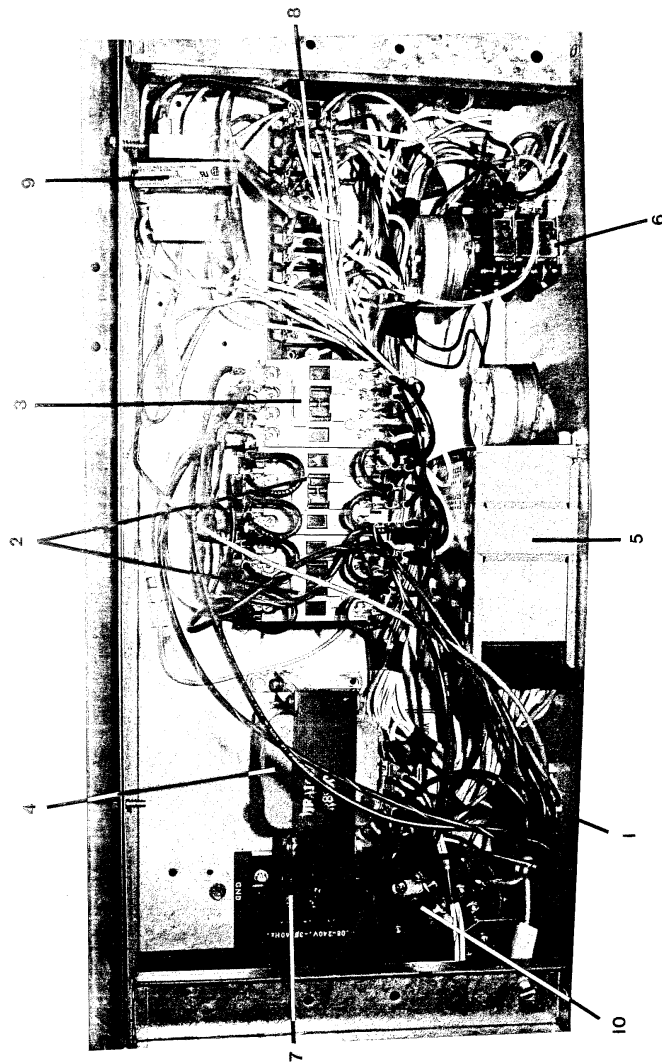
		MODELS		
		W	W	
		C	C	
		K	K	
		6	6	
		A	A	
		A	B	
Key	Part Number	Description		
1	3310-042-001	Light, Bleach	1	1
2	3310-041-001	Light, Cycle Control	1	1
3	9539-479-001	Switch, Pushbutton (cycle selector)	1	1
	8502-629-001	Label, Switch	1	1
*	8640-412-005	Nut, Switch Mtg.	2	2
4	9021-003-001	Accepter, Coin	1	1
*	9545-020-002	Screw, Acceptor Mtg.	4	4
*	8640-424-002	Nut	4	4
*	9539-466-004	Switch, Coin	1	1
5	9029-040-002	Bracket, Solenoid	1	1
6	9536-074-001	Solenoid	1	1
*	9545-008-001	Screw	4	4
*	8640-413-002	Nut	4	4
*	9497-225-001	Rod, Pull	1	1
7	9020-004-001	Accumulator, Coin	1	1
*	9538-157-003	Spacer	3	3
*	8640-412-005	Nut, Hx	6	6
*	9550-171-001	Shield, Circuit Board	1	1
8	9242-450-001	Hose, Dispenser to Tub	1	1
*	8654-117-008	Clamp	2	2





**ELECTRICAL COMPONENTS TOP COMPARTMENT  
1 PHASE**

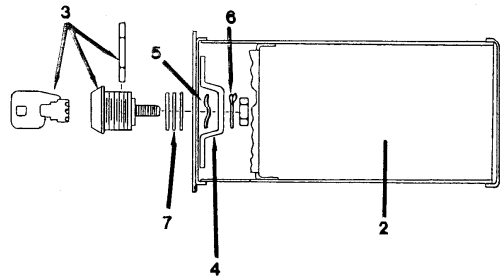
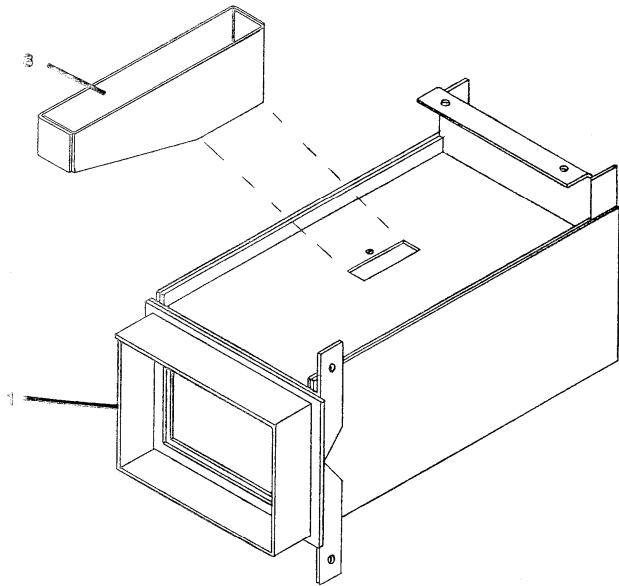
			MODEL
Key	Part Number	Description	W C K 6 A A
1	9839-012-001	Trough Assy, Controls Mtg	1
*	9029-050-001	Bracket, Trough to Rear Channel	1
*	9545-008-005	Screw	4
2	5191-102-006	Capacitor, Spin-Start (Century)	1
*	9483-002-001	Resistor, Bleed-off	1
3	5191-103-009	Capacitor, Run-Tumble (Century)	1
4	9544-054-001	Strap, Capacitor Mtg (Century)	1
*	9545-045-001	Screw, Capacitor Strap	2
5	5192-286-001	Relay, Tumble	2
6	5192-286-002	Relay, Spin	1
*	8652-132-001	Terminal, Relay Contacts	1
*	8652-132-003	Terminal, Relay Coil	1
7	9571-359-002	Timer, Program-After S/N 300113	1
7	9571-359-001	Timer, Program-Before S/N 300113	1
<b>(VERIFY PART NUMBER ON TIMER BODY)</b>			
*	9376-285-002	Motor, Timer Main Drive	1
*	9376-286-002	Motor, Timer Rapid Advance	1
*	9545-012-001	Screw, Timer	2
8	9107-066-002	Dial, Timer	1
9	9307-176-001	Knob, Timer (w/set screws)	1
10	9571-360-001	Timer, Reversing	1
*	9545-044-004	Screw, Reversing Timer	2
11	9897-028-001	Terminal Block, Power Connection	1
12	9897-029-001	Terminal Block Assy, 12 Lug	1
13	8711-003-001	Transformer, (For Accumulator)	1
14	9539-457-001	Switch, Pressure	1
*	9488-008-002	Rail, Relay Mtg.	1
*	5198-211-004	Circuit Breaker, 1.5 amp	1
*	8652-130-037	Lug, Grounding	4
15	9539-478-001	Solid State Start Switch	1



## ELECTRICAL COMPONENTS TOP COMPARTMENT

### 3 PHASE

			MODEL
			W C K 6 A B
Key	Part Number	Description	
1	9839-012-001	Trough Assy, Controls Mtg	1
*	9029-050-001	Bracket, Trough to Rear Channel	1
*	9545-008-005	Screw	4
2	5192-286-001	Relay, Tumble	2
3	5192-286-003	Relay, Spin	1
4	8711-004-001	Transformer, Control	1
5	9571-359-002	Timer, Program-After S/N 300113	1
5	9571-359-001	Timer, Program-Before S/N 300113	1
<b>(VERIFY PART NUMBER ON TIMER BODY)</b>			
*	9376-285-002	Motor, Timer Main Drive	1
*	9376-286-002	Motor, Timer Rapid Advance	1
*	9545-012-001	Screw, Timer	2
*	9107-066-002	Dial, Timer	1
*	9307-176-001	Knob, Timer (w/set screws)	1
6	9571-360-001	Timer, Reversing	1
*	9545-044-004	Screw, Reversing Timer	2
7	9897-028-001	Terminal Block, Power Connection	1
8	9897-029-001	Terminal Block Assy, 12 Lug	1
9	8711-003-001	Transformer, (For Accumulator)	1
10	9539-457-001	Switch, Pressure	1
*	9488-008-002	Rail, Relay Mtg	1
*	5198-211-004	Circuit Breaker, 1.5 amp	1
*	8652-130-037	Lug, Grounding	4

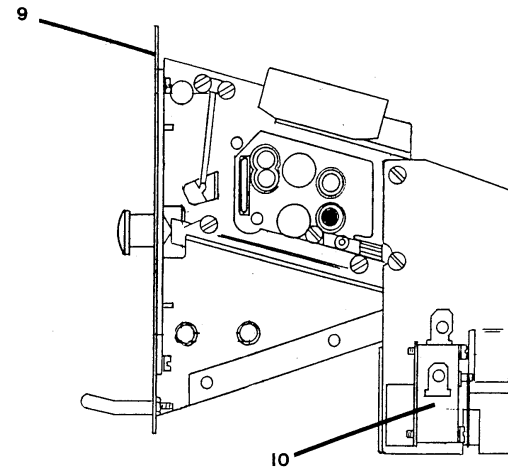


COIN HANDLING GROUP

COIN HANDLING GROUP

MODELS  
W C  
K C  
6 K  
A 6  
A A  
B

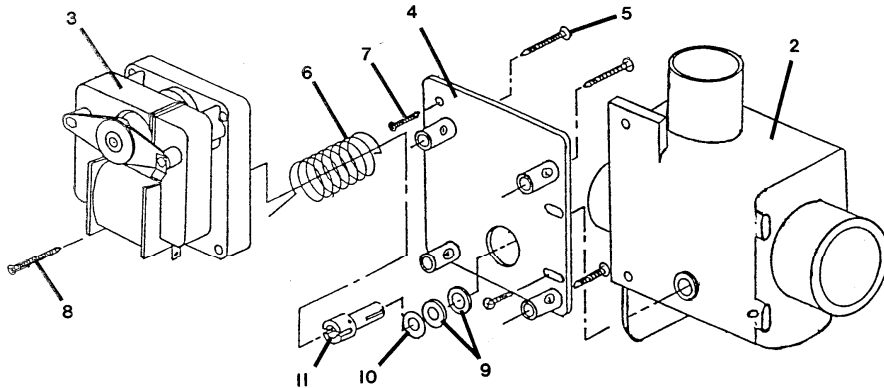
Key	Part Number	Description	1	1
1	9942-026-002	Vault, Assy	1	1
*	9545-0J8-005	Screw, Vault Mtg	4	4
2	9807-077-007	Box Assy., Coin	1	1
3	8650-012-002	Lock, Coin Box (w/key)	1	1
4	9349-033-001	Latch, Coin Box	1	1
5	8641-569-002	Washer, Wave	1	1
6	8641-583-001	Washer, Keeper	1	1
7	8641-581-008	Washer, Spacer — Thick		
7	8641-581-010	Washer, Spacer — Thin		
8	9940-014-004	Chute Assy., Coin	1	1
*	9545-045-001	Screw, Chute Mtg	1	1
9	9021-003-001	Acceptor, Coin	1	1
*	9545-020-002	Screw, Acceptor Mtg	4	4
*	8640-424-002	Nut	4	4
10	9539-466-004	Switch, Coin	1	1



### GRAVITY DRAIN VALVE GROUP

#### MODELS

Key	Part Number	Description	MODELS	
			W C K 6 A A	W C K 6 A B
1	9379-187-001	Valve, Drain . . . . .	1	1
2	9064-070-001	Body, Valve (w/ball) . . . . .	1	1
3	9914-137-001	Motor & Gear Train . . . . .	1	1
4	9452-538-001	Plate, Motor Mtg . . . . .	1	1
5	8639-994-001	Screw . . . . .	3	3
6	9534-339-001	Spring, Drive . . . . .	1	1
7	9545-054-001	Screw . . . . .	2	2
8	9545-054-002	Screw . . . . .	1	1
9	9532-134-001	Seal, V Packer . . . . .	2	2
10	9641-584-001	Washer . . . . .	1	1
11	9451-196-001	Pin, Main Drive . . . . .	1	1



### WIRING HARNESS GROUP

#### MODELS

Part Number	Description	MODELS	
		W C K 6 A A	W C K 6 A B
<b>USE FOLLOWING TWO ITEMS WITH TIMER PART NUMBER 9571-359-001</b>			
9627-630-001	Wiring Harness, Main . . . . .	1	1
9627-681-001	Wiring Harness, Control . . . . .	1	1
<b>USE FOLLOWING TWO ITEMS WITH TIMER PART NUMBER 9571-359-002</b>			
9627-680-002	Wiring Harness, Main . . . . .	1	1
9627-681-002	Wiring Harness, Control . . . . .	1	1
9627-682-001	Wiring Harness, Coin accumulator . . . . .	1	1
9627-683-001	Wiring Harness, Drain Valve . . . . .	1	1
* 8654-125-001	Clamp, Cable — 1/4 Dia . . . . .	1	1
* 8654-125-003	Clamp, Cable — 7/16 Dia . . . . .	3	3
* 8654-125-004	Clamp, Cable — 3/4 Dia . . . . .	1	1