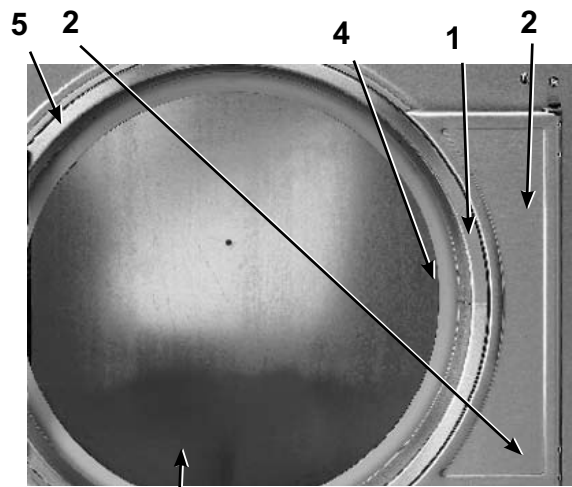
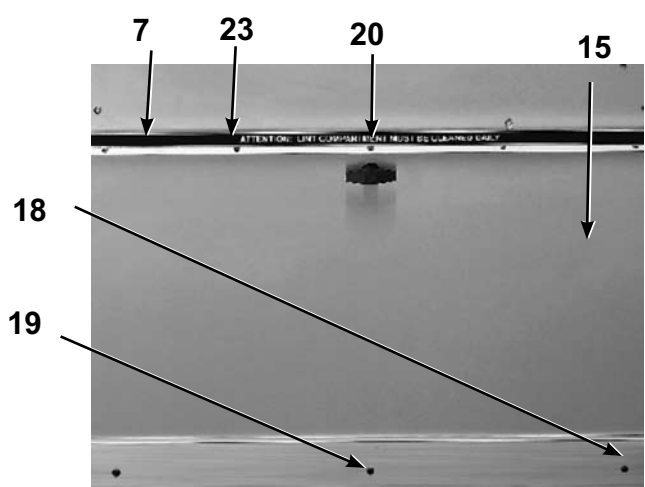
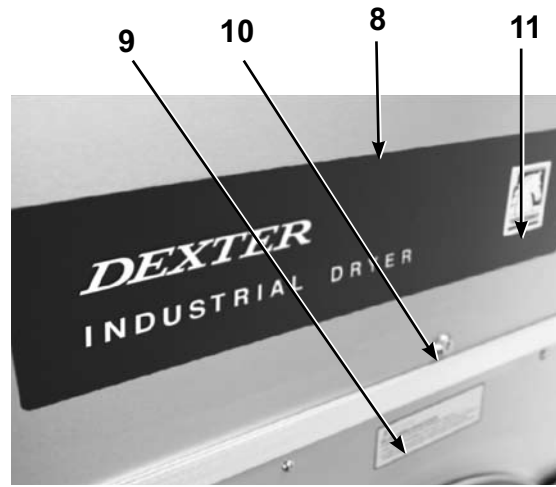
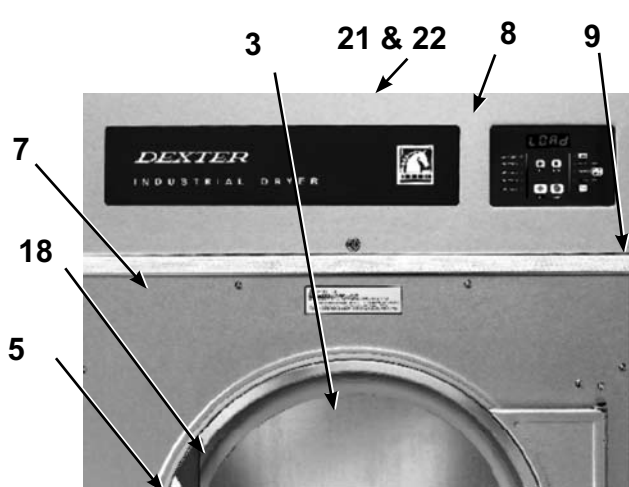
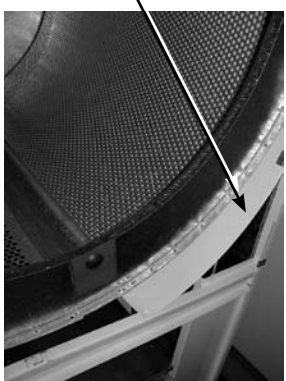

Section 6: Parts Data

Section 6: Parts Data - Cabinet Group

Key	Part Number	Description	Quantity
*	9960-256-021	Door Assy., Loading Complete-Wht	1
*	9960-256-025	Door Assy., Loading Complete-SS	1
1	9960-255-007	Door Assy.ONLY, Loading-SS	1
2	9982-280-002	Plate Assy., Hinge (Wht).....	1
2	9982-280-011	Plate Assy., Hinge (SS).....	1
*	9545-012-015	Screw, Hinge to Door 10-32 x 3/8"	4
*	8640-413-002	Nut, Hinge to Door #10-32 UNF	4
3	9212-002-003	Glass, Door.....	1
4	9206-164-009	Gasket, Glass	1
*	9548-117-000	Support, Door Glass (inside gasket).....	1
5	9206-420-002	Gasket, Outer Rim	1
6	9244-082-001	Handle, Loading Door.....	1
*	9545-018-017	Screw, Handle 1/4"-20 x 3/8"	2
*	9531-033-001	Stud, Door Catch	1
*	8640-413-001	Nut, Hex.....	1
*	8640-413-003	Nut , Acorn # 10-32	1
*	9086-015-002	Catch, Loading Door.....	1
7	9454-569-019	Panel Assy., Front- white only	1
7	9454-569-020	Panel Assy., Front- S. Steel.....	1
8	9108-084-014	Door, Upper Service-S.S.....	1
8	9108-084-010	Door, Upper Service-White	1
9	9578-085-001	Trim, Door-Upper Service.....	1
	6292-006-006	Key (only) (FJWCC).....	1
10	8650-006-003	Lock w/ nut, Upper Service Door	1
*	9491-009-001	Rivet, Drive	2
*	8641-581-005	Washer, Flat 3/16"	2
*	9548-268-001	Support, Upper Door	1
11	9412-127-001	Nameplate, Commercial Dryer	1
12	9545-012-003	Screw, Chrome 10-32 x 1/2".....	4
*	8641-436-004	Washer, Fiber	4
*	8641-582-019	Lockwasher # 10	10
*	8640-399-001	Nut, Spring U type 10Z.....	6
13	9544-047-002	Strap, Hinge (White).....	1
13	9544-047-007	Strap, Hinge (Gray).....	1
*	9545-012-003	Screw, Hinge to Panel 10T-32 x 1/2"	4
14	9545-052-001	Screw, Door to Hinge Strap (special)	1
*	8641-436-003	Washer, Fiber/ Plastic VSCO on Door Hinge (special).....	1
15	9960-279-001	Door Ass'y, Lower Service-SS	1
15	9960-279-003	Door Ass'y, Lower Service-White	1
16	9578-087-001	Trim, Door - Lower Service.....	1
17	9545-008-021	Screw,Pn Hd Cr., #10Bx3/8	5
18	9277-084-001	Trim, Kick- Lower Service Door.....	1
19	9545-008-010	Screw, Tr Hd Cr-#10x1/2 Blk	3
20	9244-084-001	Latch, Lower Door (Handle).....	1
23	9435-016-002	Overlay Trim	1
*	8502-617-001	Label - Made in the USA	1
*	9277-041-002	Insulation Side Panel.....	1
*	9435-016-001	Overlay Trim Lower Service Door	1



Baffle Right



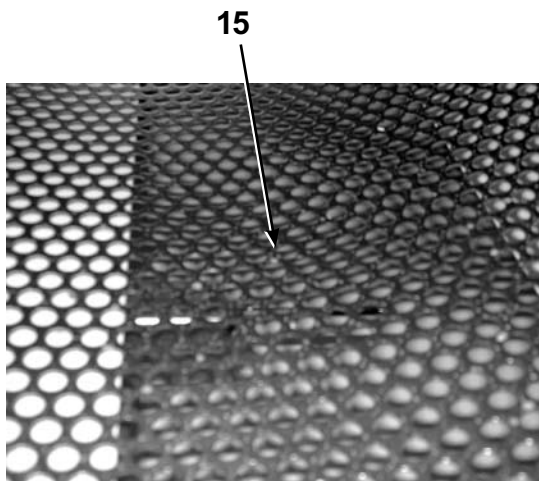
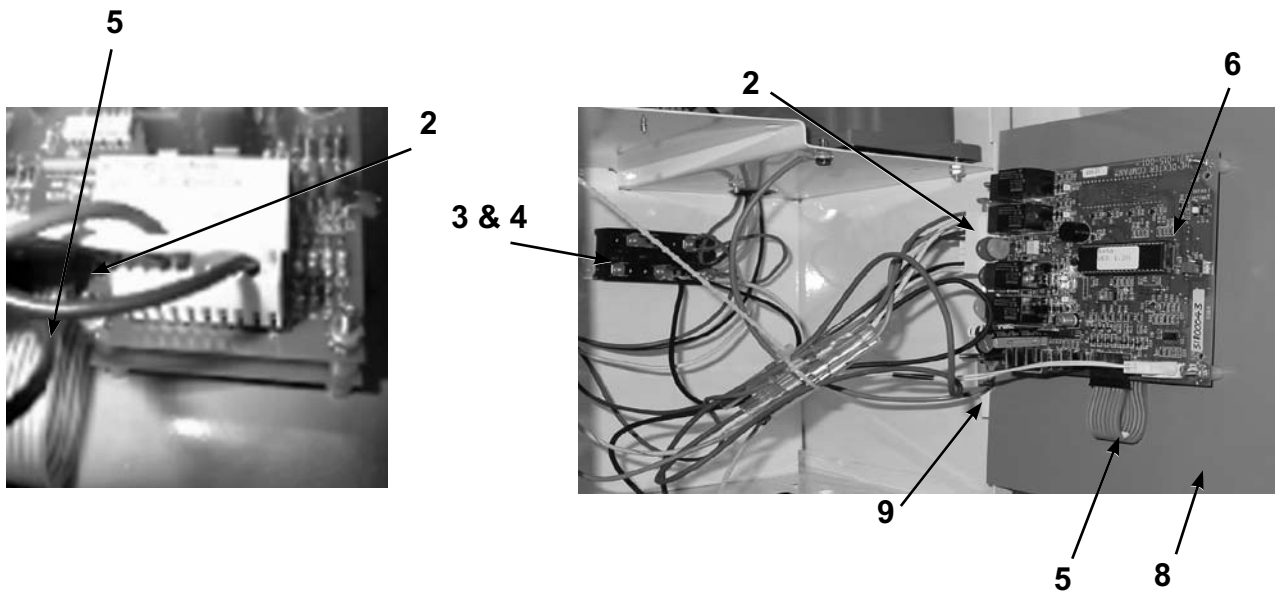
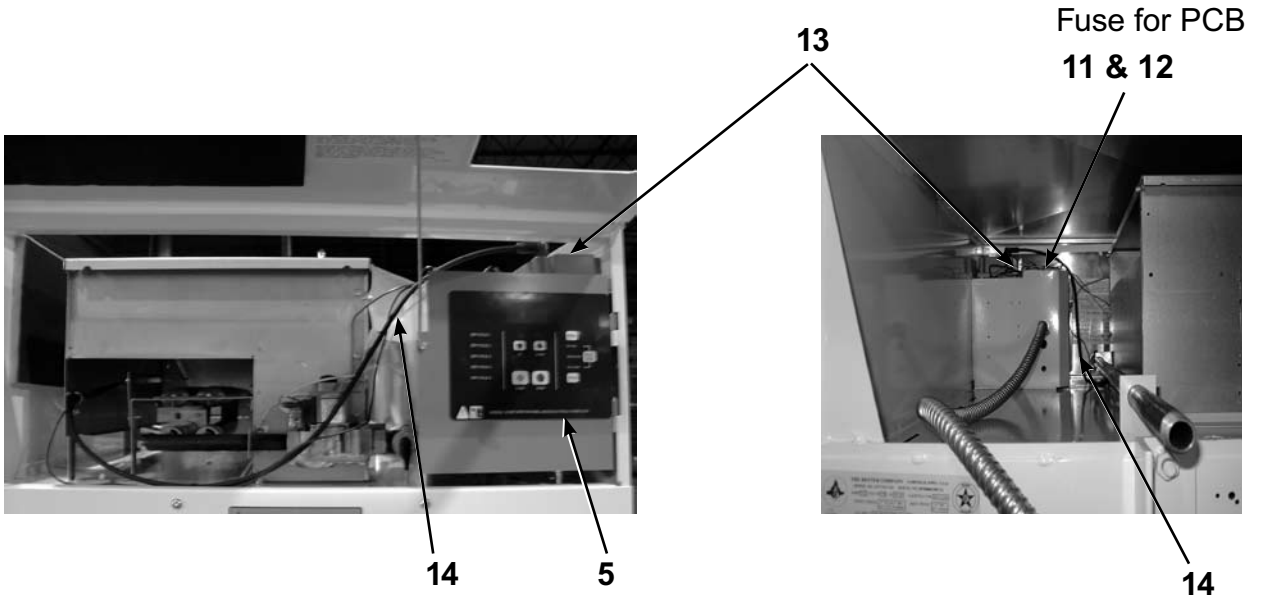
Key	Part Number	Description	Quantity
*	9277-041-004	Insulation Side Panels.....	1
*	8544-006-001	Leg, Leveling	4
*	9049-057-001	Baffle, Cabinet- Left Inside Cabinet.....	1
*	9049-056-001	Baffle, Cabinet- Right Inside Cabinet	1
*	9545-008-003	Screw, #10x1/2 TEK	8
21	9074-236-001	Cover, Cabinet.....	1
22	9545-008-024	Screw 10AB x 3/8".....	10
*	9277-047-002	Insulation Cover Service Door.....	1
*	9277-047-001	Insulation 1/4" black Top LH Sideburner Area	1

* Not Illustrated

Front Control Housing Group

Key	Part Number	Description	Quantity
2	9627-770-001	Wiring Harness Micro.....	1
3	9897-026-001	Terminal Block Assembly	1
4	9545-031-004	Screw 6AB x 3/8" (for terminal block).....	2
5	9801-085-001	Membrane Switch Assembly	1
6	9732-249-001	PCB Board Controller.....	1
8	9982-326-002	Plate Assembly,Control Mounting	1
9	9451-146-005	Pin- Hinge meterplate.....	2
11	9054-045-001	Fuseholder.....	1
12	8636-018-001	Fuse 1.5 amp.....	1
13	9857-116-003	Control, Ignition	1
14	9631-403-001	Wire Ass'y High Voltage (from ignition control)	1
*	8636-024-001	Electronic Control PCB Fuse on PCB .600 MA/250V	1
15	9501-004-002	Temperature Sensor.....	1
*	9627-679-002	Sensor Wire Harness	1
*	9029-111-001	Bracket Sensor Mounting	1
*	9545-045-005	Screw Mounting Bracket 8B x 1/4"	1

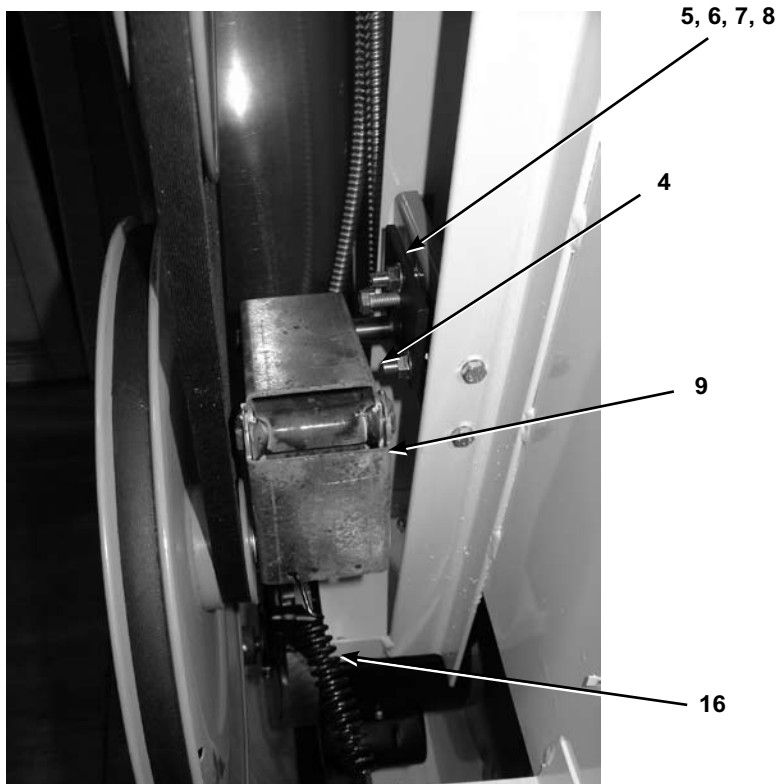
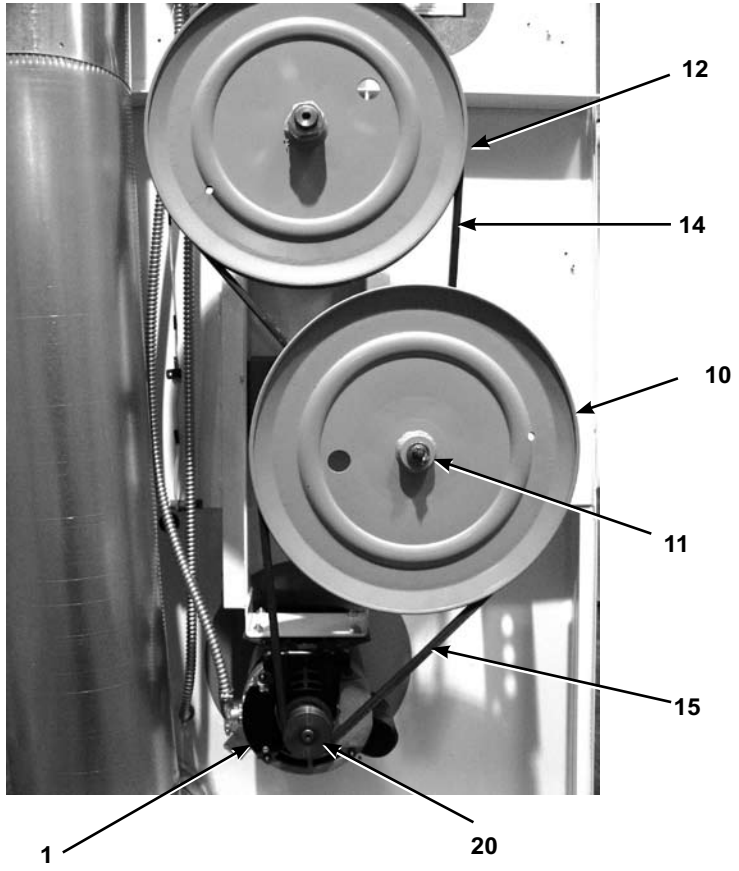
* Not Illustrated



Drive Group

Key	Part Number	Description	Quantity
1	9376-259-006	Motor, Drive.....	1
*	9545-014-004	Screw, Hx 5/16-18 x 5/8".....	4
*	8640-400-003	Nut 5/16-18.....	4
2	9453-169-010	Pulley, Motor	1
*	9545-028-013	Screw, Set.....	2
5	9991-053-002	Support Assembly, Intermed. Pulley.....	1
6	9545-029-010	Bolt, Rd Hd, 3/8-16 x 1 1/4".....	3
7	9545-029-012	Screw, 3/8-16 x 1 1/2".....	1
8	8640-415-004	Nut 3/8-16	3
*	8641-581-035	Washer, Flat.....	4
9	9861-022-001	Arm Assembly-Tension	1
*	8641-581-035	Washer, Flat.....	1
10	9908-042-006	Pulley Assembly, Intermediate - w/bearings	1
11	9036-145-002	Bearing, Bronze Flange	2
12	9908-040-001	Pulley Driven	1
*	9487-200-003	Ring, Retaining	1
13	8641-581-035	Washer, Flat.....	1
13	8641-582-016	Lockwasher.....	1
13	9545-017-009	Screw, Hx Cap	1
14	9040-077-004	Belt, Final Drive.....	1
15	9040-077-002	Belt, Motor Drive	1
16	9534-319-002	Spring, Belt Tension.....	1
*	9099-012-002	Chain, Spring Tension.....	1
*	9248-022-002	Hook, Tension.....	1
*	9208-039-001	Guard, Drive.....	1
*	9454-596-002	Panel, Drive Guard, RH	1
*	9454-595-002	Panel, Drive Guard, LH.....	1
*	9550-178-001	Shield, Motor.....	1
*	9545-008-003	Screw	2
*	9545-008-024	Screw (to attach to guards above)	30

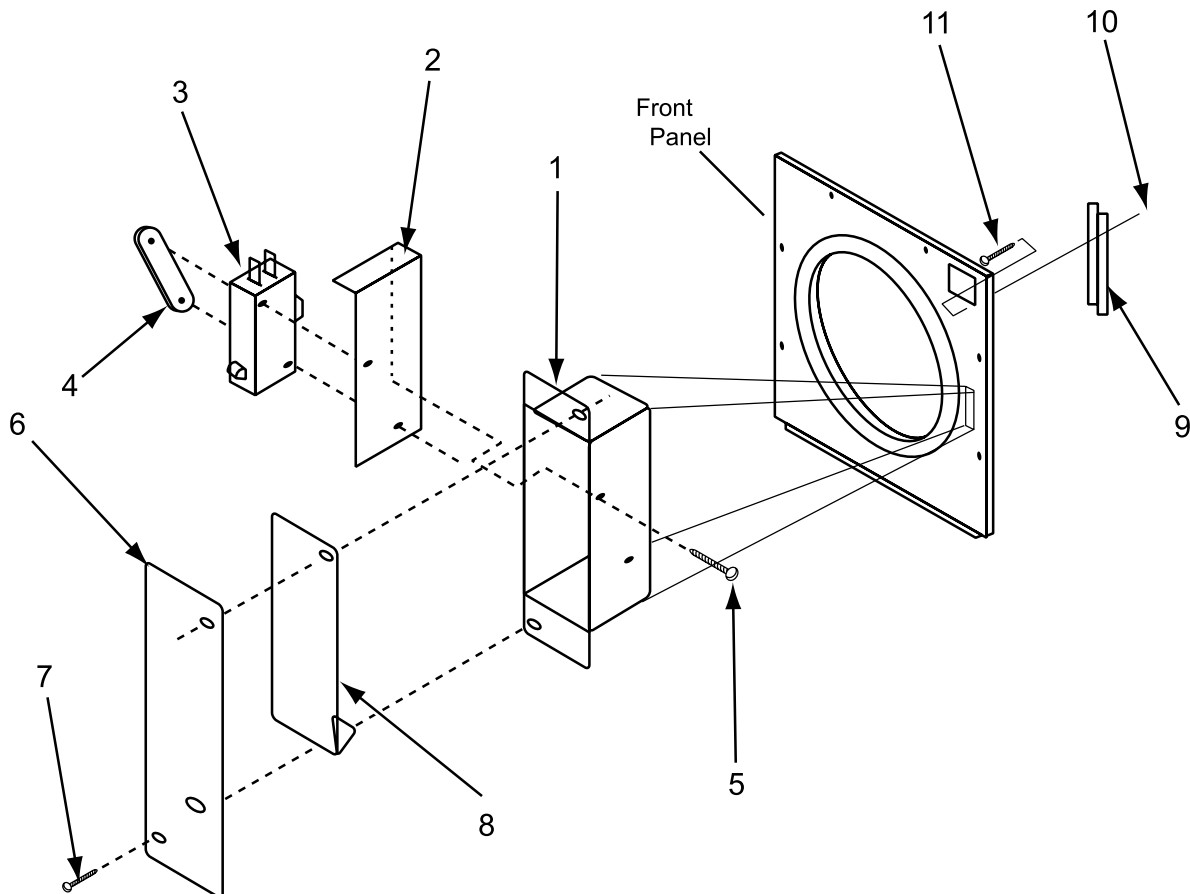
* Not Illustrated



Door Switch Group

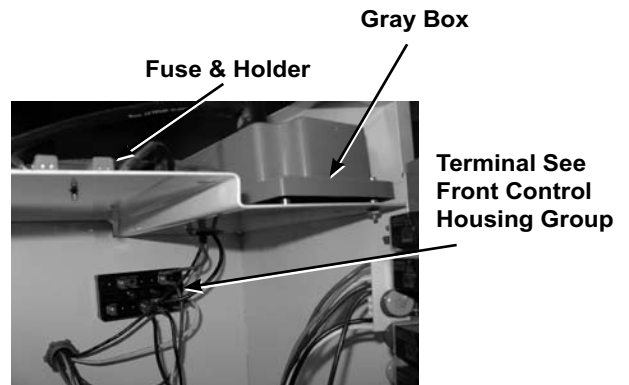
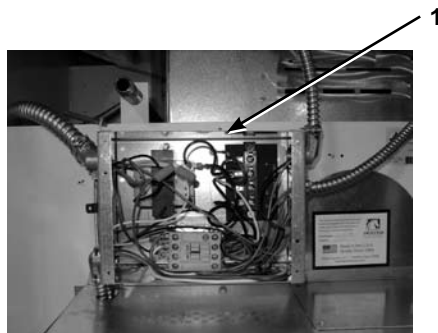
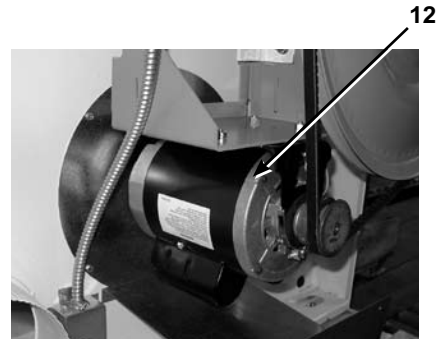
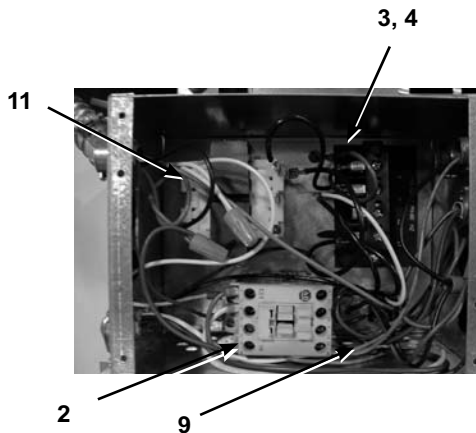
Key	Part Number	Description	Quantity
1	9041-076-001	Box, Door Switch	1
2	9550-159-001	Shield, Door Switch	1
3	9539-461-007	Switch, Door	1
4	8640-401-001	Nut, Special Twin #4-40	1
5	9545-020-001	Screw, Pn Hd Sl.#4-40x5/8	2
6	9074-255-001	Cover, Switch Box.....	1
7	9545-008-020	Screw, Box Cover 10 AB x 3/4"	2
8	9008-004-001	Actuator, Switch.....	1
9	6068-041-001	Conduit Special	1
10	9545-012-003	Screw. 10-32 x 1/2"	1
*	8641-436-000	Washer, Fiber	1
11	8640-413-004	Nut, ElasticStop 10 -32.....	1

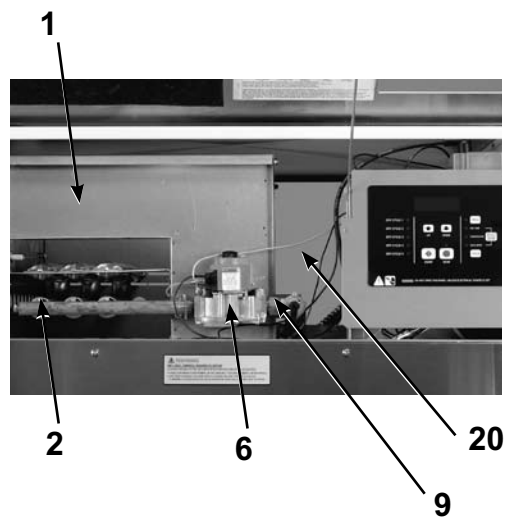
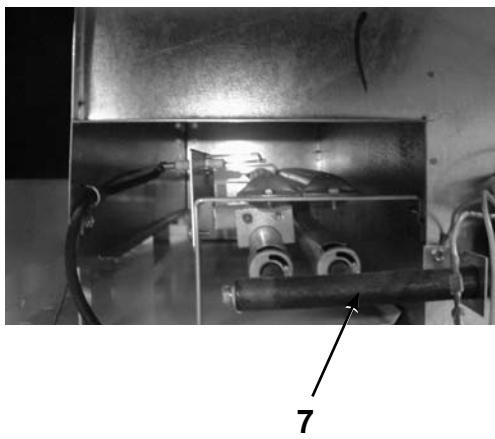
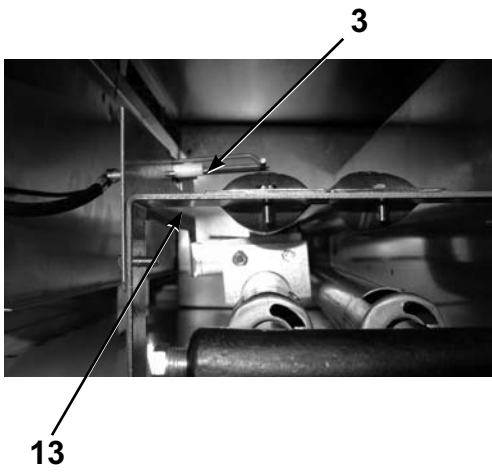
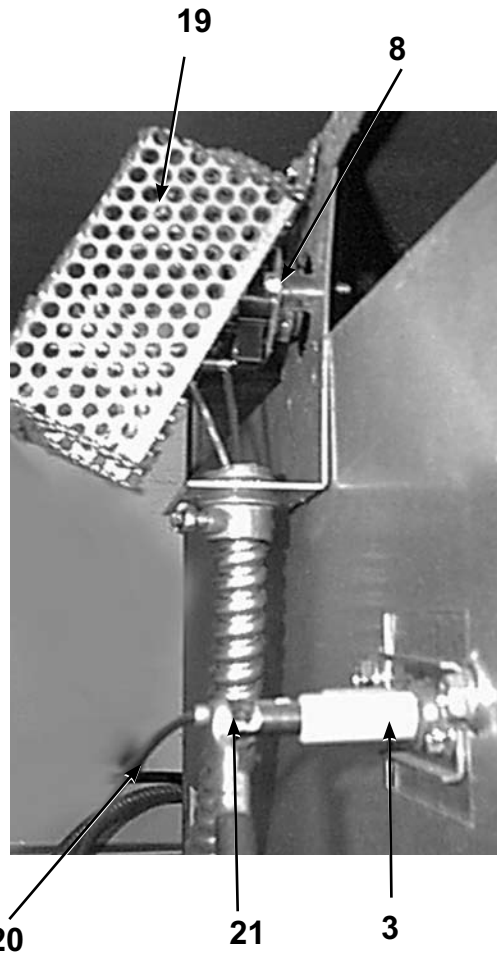
* Not Illustrated



Rear Control Group

Key	Part Number	Description	Quantity
1	9041-081-001	Box , Control.....	1
*	9074-304-001	Cover, Control Box Upper.....	1
*	9545-008-024	Screw 10AB x 3/8".....	4
2	5192-295-011	Relay (Large).....	1
*	9545-044-002	Screw, #8ABx 3/8	2
3	9897-035-001	Terminal Block Assembly, Power	1
4	9558-029-005	Strip , Terminal Marker	1
*	9545-045-002	Screw, #8ABx 3/8	2
*	8641-582-006	Lockwasher, Ex Tooth # 10.....	1
*	9074-305-001	Cover control box lower.....	1
10	8639-621-007	Screw #10-32 x 1/2 GRN.....	1
*	8640-411-003	Nut Hexkeys #6-32.....	2
9	5192-285-001	Relay (Clear)	1
11	8711-007-001	Transformer	1
*	9545-012-009	Screw--#10-32 x 1/2" Mount Transformer.....	2
*	8640-413-002	Nut Hexkeys #10-21 UNF Mount Transformer	2
*	9545-031-003	Screw #6Bx 3/8 Mount Small Relay	2
*	8220-063-018	Wire Assembly White 8"	1
*	8220-001-230	Wire Assembly Black/Red 8 1/2"	1
*	8220-001-231	Wire Assembly Black/Blue.....	1
*	8220-001-452	Wire Assembly White 12 1/4"	1
*	8220-001-478	Wire Assembly Green 7".....	1
*	8220-067-001	Wire Assembly Black/Red 7 3/4"	1
*	8220-067-002	Wire Assembly Black/Blue 7 3/4".....	1
12	9376-259-006	Motor	1





Burner Housing Group

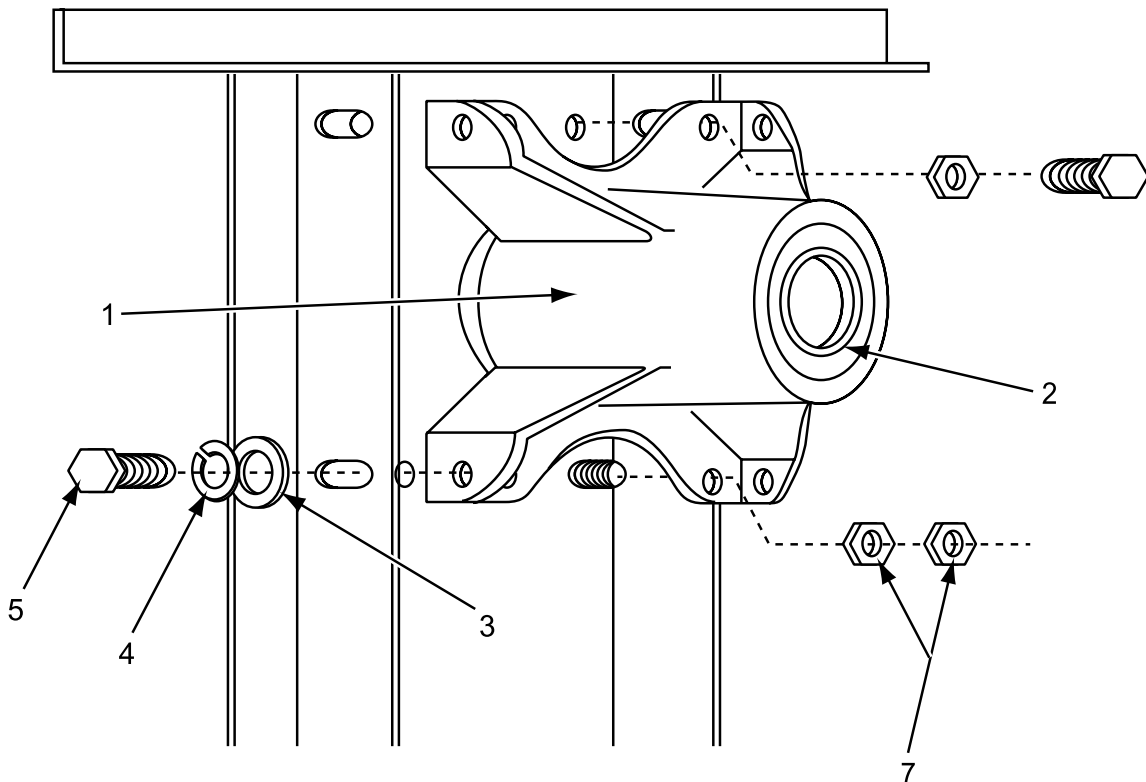
Key	Part Number	Description	Quantity
1	9803-163-002	Housing Assembly, Burner	1
*	9545-008-024	Screw	2
2	9048-018-001	Burner, Main	3
*	9545-008-008	Screw 8B x 1/14"	3
3	9875-002-002	Electrode, Ignition	1
4	9452-645-001	Plate, Electrode Mtg	1
*	9545-008-024	Screw, Electrode Mtg 8B x 10x 3/8"	2
6	9857-134-001	Control Assy, Gas	1
7	9381-009-001	Manifold, Assy 2 port	1
*	9425-069-002	Orifice, Burner-Natural	3
*	9425-069-022	Orifice, Burner-LP	3
8	9576-203-002	Thermostat, Hi-Limit	1
*	9538-142-001	Spacer, Hi-Limit	2
*	9545-045-007	Screw 8B x 3/4"	2
19	9074-234-001	Cover, Hi-Limit Stat	1
*	9545-008-024	Screw 10 B x 3/8"	1
*	9857-116-003	Control, Ignition (Gray Box)	1
*	9545-044-002	Screw 6-32 x 1"	2
*	8640-411-003	Nut, Hex Keps #6-32	2
*	9897-026-001	Terminal Block Power (Inside Control Panel)	1
*	9545-031-004	Screw 6 AB x 5/8"	2
*	9039-915-001	BRACKET, Pipe gas line	1
*	9545-008-003	Screw 6AB x 5/8"	2
21	9631-403-001	Wire Ass'y, High Voltage	1
20	9627-711-001	Harness, Low Voltage Ignition	1
*	9054-045-001	Fuseholder	1
*	8636-018-001	Fuse 1.5 amps	1
*	8711-007-001	Transformer, Control (In rear control box)	1
*	9545-012-009	Screw, #10x1/2"	2
*	9732-102-003	Kit, LP Conversion	1
13	9548-280-001	Support, Front Burner	1
14	9545-008-008	Screw 10T-32 x 1/2"	3
*	9454-738-001	Left side burner housing	1
*	9454-572-001	Right side burner housing	1
9	9379-164-001	Valve, Gas Shut-Off w/ brass union	1
10	9458-020-003	Pipe, Gas Line	1
*	9454-737-001	Front Side Burner Housing	1

* Not Illustrated

Bearing Housing Group

Key	Part Number	Description	Quantity
*	9803-160-002	Housing, Bearing Ass'y w one(rear) bearing	1
1	9241-161-001	Housing, Bearing	1
2	9036-130-001	Bearing, Ball-Rear	1
*	9036-130-001	Bearing, Ball-Front	1
3	8641-581-009	Washer, Flat 3/8"	4
4	8641-582-003	Lockwasher spring 3/8"	4
5	9545-017-004	Bolt, 3/8" x 1	6
6	8640-415-002	Nut, 3/8"	2
*	8640-400-002	Nut, 5/16"	4
7	8640-222-000	Nut, Tumbler Shaft.	1
*	9306-006-000	Key, Tumbler Shaft	1
*	9908-040-001	Pulley Drive	1

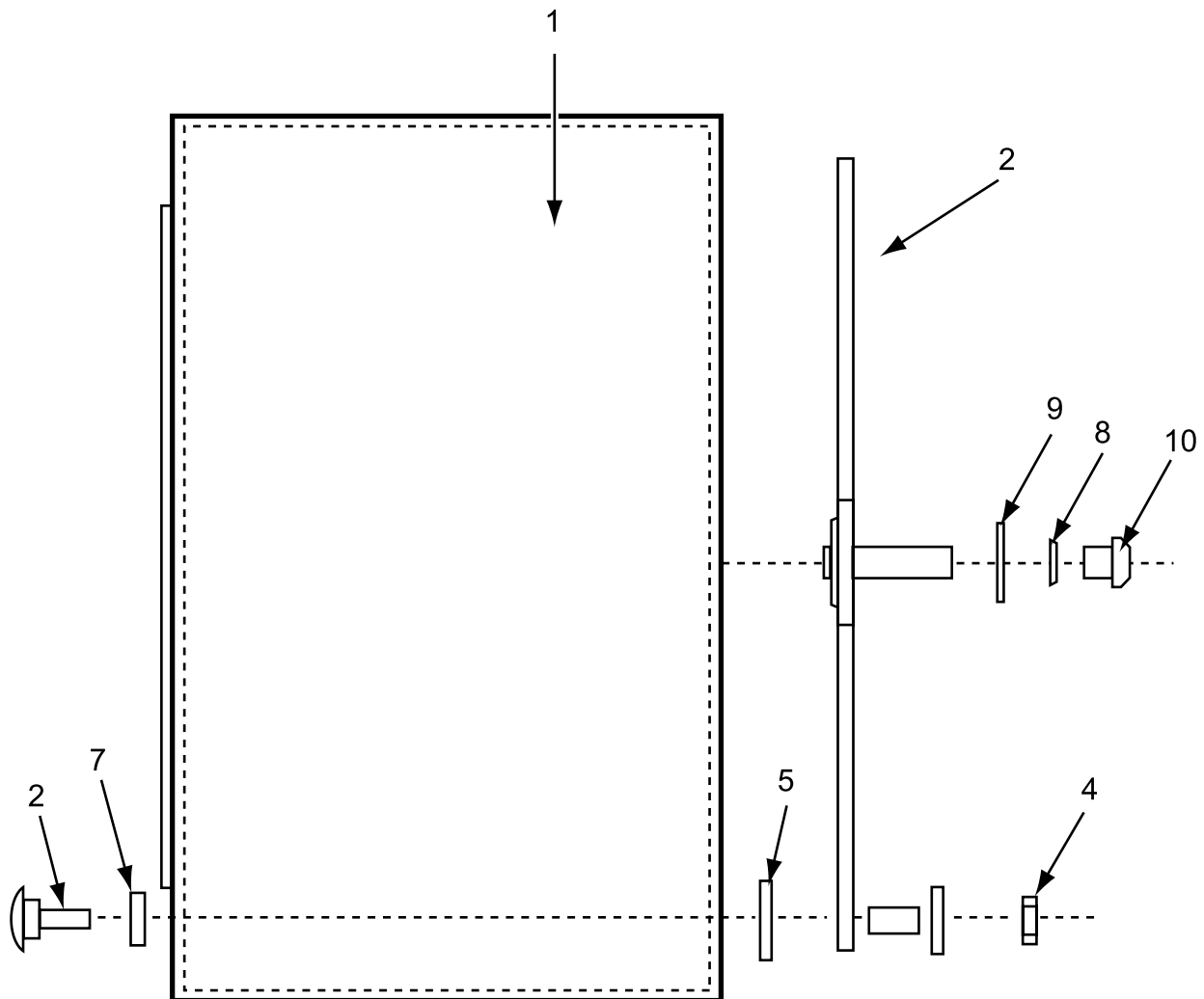
* Not Illustrated

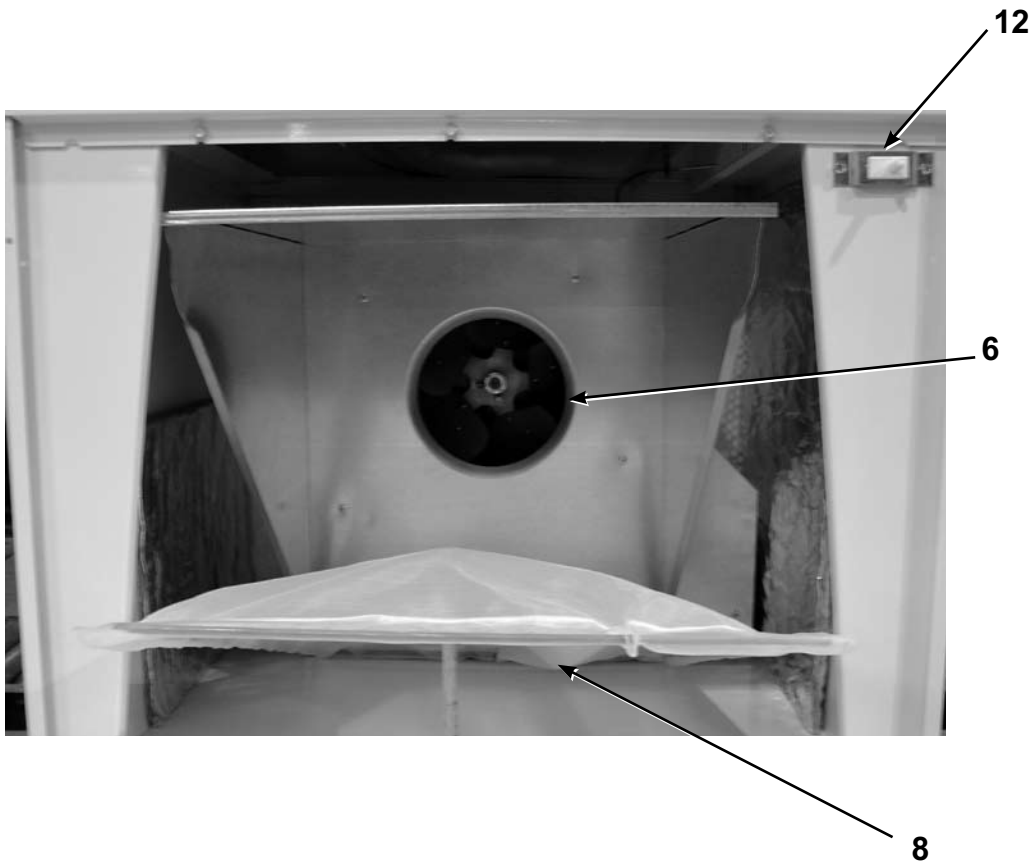
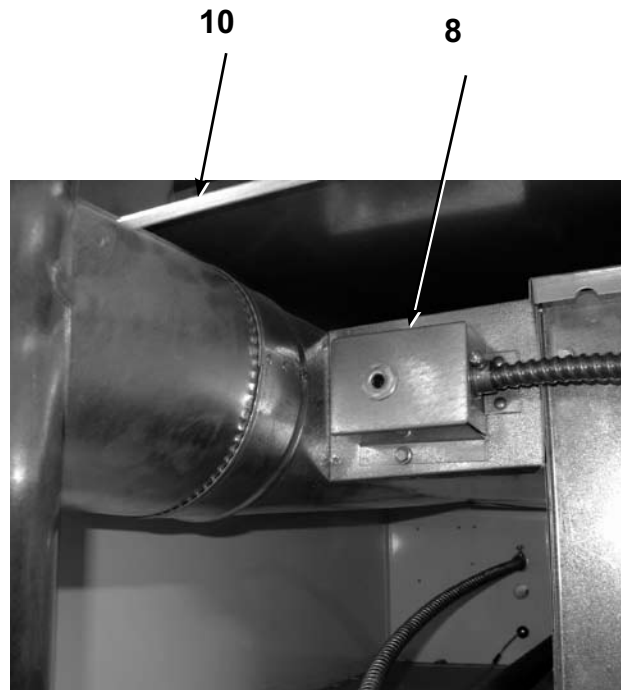
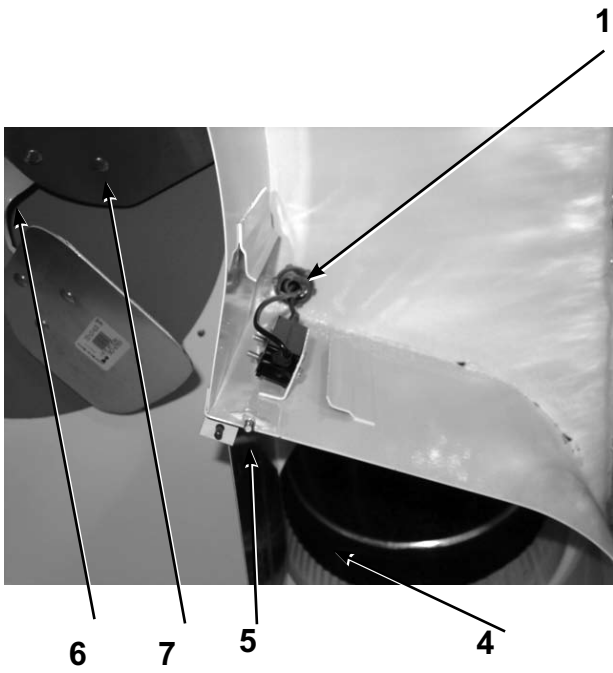


Tumbler Basket Group

Key	Part Number	Description	Quantity
1	9848-129-001	Tumbler Ass'y	1
*	9848-129-002	Tumbler Ass'y, SS.....	1
2	9568-012-001	Spider Ass'y	1
3	9497-226-001	Rod, Tumbler.....	4
4	8640-417-005	Nut.....	1/2"-13
4			
5	9552-013-000	Shim.....	4
7	8641-590-001	Washer, Tumbler Rod Special	4
*	9487-234-001	Ring, Tolerance.....	1
8	8641-582-016	Lock Washer ext tooth 1/2", Tumbler Shaft	1
9	8641-581-026	Flat Washer 1/2", Tumbler Shaft.....	1
10	9545-017-009	Screw, Tumbler Shaft 1/2-13 x 11/4"	1

* Not Illustrated

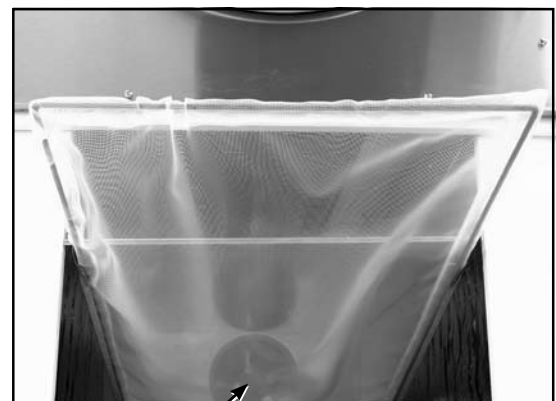




Blower Impeller and Air Flow Switch Group Over Temperature Switch

Key	Part Number	Description	Quantity
*	9074-242-001	Cover Damper Switch.....	1
4	9125-001-001	Damper.....	1
2	9545-044-002	Screw Switch Mtg.....	2
1	9539-432-001	Switch Damper.....	1
*	8640-411-003	Nut Switch Locking.....	1
3	8640-420-001	Nut Twin.....	1
	9008-007-001	
5	9451-146-001	Pin Damper.....	1
11	9539-461-001	Switch Lint Door.....	1
8	9825-057-002	Over-tempcoverass'y.....	1
9	9576-207-006	Thermostatover-tempMnl.....	1
*	9545-008-024	Screw 10B x 3/8.....	2
*	9486-137-001	Retainer pushon.....	1
*	9535-050-003	Sleeve-Hi-Limitswitcaccess.....	1
*	9550-169-003	Shield for macro switch.....	1
17	9822-027-002	Hood Ass'y, Lint.....	1
*	8640-412-004	Lint Hood Mtg.....	6
12	9822-026-001	Lint Screen.....	1
6	9278-037-002	Impeller, w/set screws.....	1
7	9545-028-013	Set Screw.....	2
10	9918-002-002	Recirculation Boot.....	1

* Not Illustrated



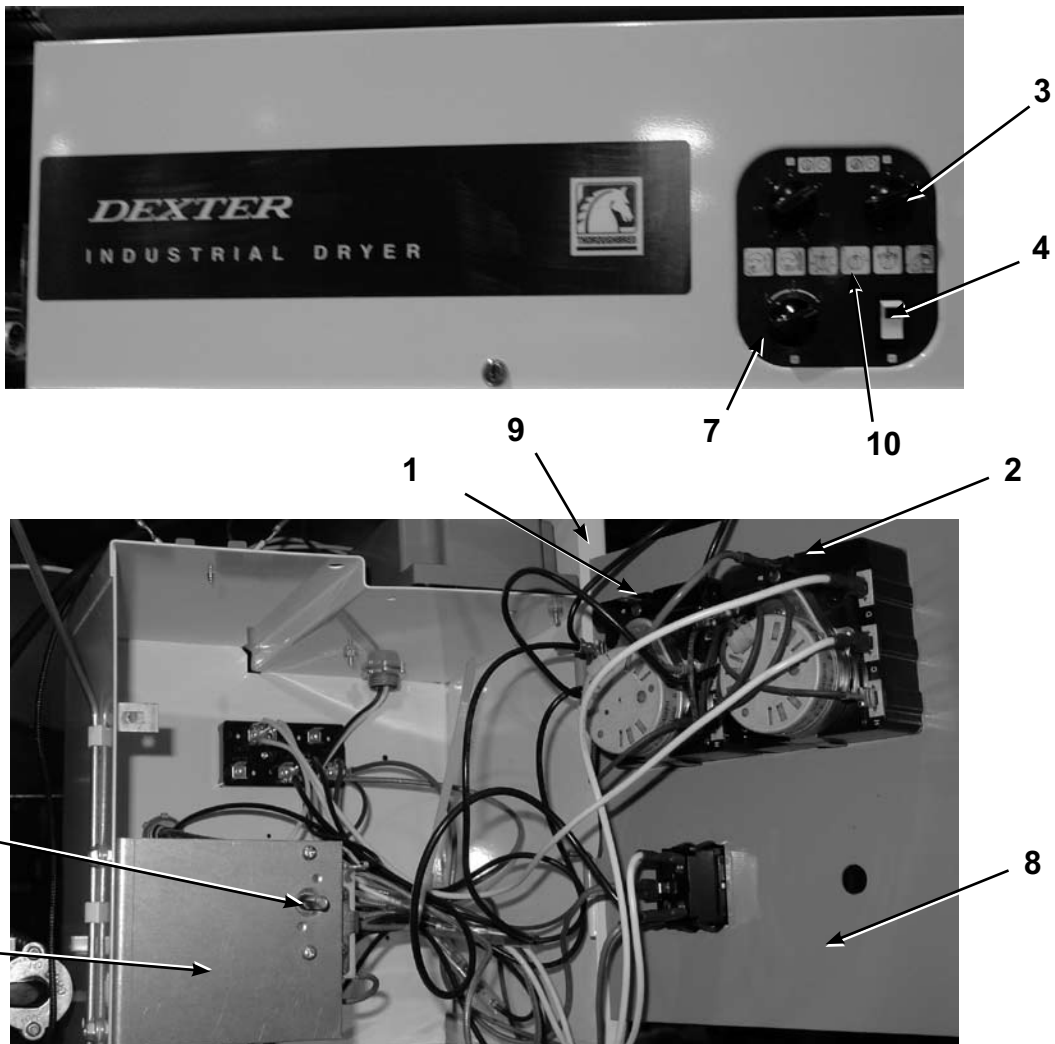
17

12

Control Housing Group

Key	Part Number	Description	Quantity
1	9571-350-002	Timer, Dry Time.....	1
2	9571-350-002	Timer, Cool-down Time.....	1
3	9307-176-001	Knob, Timer.....	2
*	9545-010-003	Screw, Hx #8-32 x 3/16.....	4
4	9539-460-001	Switch, Push-To-Start.....	1
5	9576-209-003	Thermostat, Temp. Control.....	1
6	9029-085-001	Bracket, Thermostat.....	1
7	9307-176-001	Knob, Temperature Control.....	1
*	9545-045-008	Screw, #8 Ab x 3/8.....	6
*	9029-088-001	Bracket, Bulb Mtg.....	1
*	9083-113-001	Clip.....	1
*	9079-121-002	Clamp, Tube.....	1
8	9452-666-002	Plate, Control Timer Assembly Painted.....	1
*	9982-280-002	Plate, Assembly Hinge Complete Painted.....	1
9	9451-146-001	Pin.....	1
10	8527-114-001	Decal, Control Panel.....	1

* Not Illustrated



Wires & Harness Group

Key	Part Number	Description	Quantity
*	9627-770-001	Harness-Controller	1
*	9627-679-002	Harness-Temp Sensor	1
*	8640-276-005	Wire Nut (Black)	2
*	8640-276-003	Wire Nut (Orange)	4
*	9627-711-001	Harness-Low Voltage	1
*	9631-403-002	High Voltage Wire	1
*	9897-026-001	Terminal block	1
*	9897-035-001	Terminal Strip (block) 4 pole	1
*	9558-029-005	Strip-Terminal Marker	1
*	8220-103-003	"GRY 64"" (Over Temp Thermostat)"	1
*	8220-001-227	"BLK 25 1/2"" (Over Temp Thermostat)"	1
*	8220-101-016	"BRN 41 1/2"" (High Limit Thermostat)"	1
*	8220-101-019	"RED 48"" (High Limit Thermostat)"	1
*	8220-001-530	"BLK 67"" (Air Damper Switch)"	1
*	8220-034-001	"BLK 67"" (Air Damper Switch)"	1
*	8220-103-004	"BLU 59"" (Motor)"	1
*	8220-106-001	"RED 59"" (Motor)"	1
*	8220-106-002	"WHT 59"" (Motor)"	1
*	8220-001-452	"WHT 12"" (Relay to Transformer)"	1
*	8220-065-021	"VIO 67"" (Relay to Controller Harness)"	1
*	8220-001-485	"BLK 66"" (Relay to Controller Harness)"	1
*	8220-001-198	"WHT 46 1/2"" (wire nut to Terminal block)"	1
*	8636-018-001	1.5 AMP Fuse	1
*	9054-045-001	Fuse Holder	1
*	8220-001-290	"BLK 20"" (Fuse holder to Terminal Block)"	1
*	8220-063-017	"GRY 64"" (Relay to Controller Harness)"	1
*	8220-001-222	"BLU 45"" (Tumbler Door Switch to Controller Harness)"	1
*	8220-001-221	"BLK 45"" (Tumbler soor switch to Service Door Wire)"	1
*	8653-039-000	"In Line Wire Connector 1/4""	1
*	8220-001-473	"VIO 60"" (Lower Service Door Switch to Tumbler Switch Wire)"	2
		(Lower Service Door to Terminal Block)	
*	8220-001-478	"GRN 7"" (Terminal block to Body Ground)"	1
*	8639 621-007	Ground Screw	2
*	8220-001-231	"BLK/BLU 6 1/2"" (Terminal strip to Transformer, N to COM)"	1
*	8220-067-002	"BLK/BLU 7 3/4"" (Terminal Strip to Relay)"	1
*	8220-063-018	"WHT 8"" (Terminal Strip to Relay)"	1
*	8220-001-230	BLK/RED (Terminal Strip to Transformer)	1
*	8220-067-001	BLK/RED (Terminal Strip to Relay)	1

Label Group

Key	Part Number	Description	Quantity
*	8507-256-001	Instructions Uncrating	1
*	8514-087-001	Owners Booklet	1
*	8507-350-001	Instructions Dry Install / Start-Up	1
*	8507-330-001	Instructions TVSS	1
*	9506-061-001	Wiring Schematic	1
*	9506-062-001	Wiring Diagram	1
*	8511-001-002	Label Quality	1
*	8502-658-001	Label Fire Hazard	1
*	8527-105-001	Label Decal Lighting and Clearance	1
*	8502-645-001	Label Instructions	1
*	8502-600-001	Label Warning and Notice	1

Rear Guard Group

Key	Part Number	Description	Quantity
*	9208-039-001	Drive Guard	1
*	9454-595-002	Right Side Panel Drive Guard	1
*	9454-596-002	Left Side Panel Drive Guard	1
*	9550-178-001	Motor Shield	1
*	9545-008-003	Screw 10-16 x 1/2 TEK	1
*	9545-008-024	Screw 10 B x 3/8	1

* Not Illustrated

Electric Heated Dryers Electrical Parts All Types of KW

Key	Part Number	Description	Quantity
*	9029-217-001	Guard Bracket Mounting	1
*	9208-053-001	Guard Front Cabinet Cover	1
*	9208-054-001	Guard Rear Cabinet Cover	1
*	9074-289-001	Cover Plate Control Box	1
*	9210-117-001	Gussett Control Box	1
*	9548-282-001	Support Wire	2
*	9074-288-001	Cover Plater Heater	1
*	9636-151-001	Wrapper Heat Housing RH	1
*	9636-152-001	Wrapper Heat Housing LH	1
*	9550-181-001	Shield Side Heathousing	4
*	9577-056-001	Top Heater Housing Half	2
*	9053-067-001	Bushing Insulated 1/4	6
*	9577-057-001	Top Box Control	1
*	9636-153-001	Wrapper Box Control	1
*	9058-025-001	Bottom Box Control	1
*	9053-067-004	Bottom Bushing Insulated	2
*	9209-087-001	Grommet	1
*	8640-399-004	Nut Spring	1
*	8640-399-009	Nut Spring U Type	4
*	8502-639-001	Label Warning	1
*	8502-702-001	Label Warning Fire Hazard (French)	1
*	8652-134-002	Terminal Lug Solderless	1
*	8502-639-001	Label Warning	1
*	8502-708-001	Label Exhaust Warning	1
*	8502-614-004	Label Warning High Voltage	1
*	8220-057-007	"WHT/BLK 45""	1
*	8220-057-019	"WHT 8""	1
*	8220-078-008	"BLK 9""	2
*	8220-061-010	"BLK 48""	2
*	8220-034-001	"BRN 67""	1
*	8220-057-004	"BRN 30""	1
*	8220-101-015	"BRN 30"" 200C"	1
*	8220-057-011	"VIO 32""	1
*	8220-101-014	"VIO 42"" 200C"	1
*	8220-078-011	"WHT 45""	1
*	8220-078-012	"RED 45""	1
*	8220-001-530	"BLK 67""	1
*	8220-101-002	"BLK 64""	1
*	8220-103-003	"GRY 64""	1
*	8220-067-002	"BLK/BLU 7-3/4""	1
*	8220-067-001	"BLK/RED 7-3/4""	1
*	8220-001-231	"BLK/RED 8-1/2""	1
*	8220-001-230	"BLK/BLU 6-1/2""	1
*	8220-001-478	"GRN 7""	1
*	8220-001-452	"WHT 12""	1
*	8220-106-001	RED	1
*	8220-106-002	WHT	1
*	8220-103-004	BLU	1
*	8220-001-485	"WHT 66""	1
*	8220-001-220	"RED 56""	1
*	8220-001-198	"WHT 46-1/2""	1
*	8220-065-021	"VIO 67""	1
*	8220-063-017	"GRY 64""	1
*	8220-001-290	"BLK 20""	1
*	9627-679-002	Harness Temp Sensor	1
*	9627-770-001	Wiring Harness Micro	1
*	8220-001-222	"BLU 45""	1
*	8220-001-473	"VIO 60""	2
*	8220-001-221	"BLK 45""	1

Electric Heated Dryers Electrical Parts All Types of KW

DCTD30 HC_18FG 240/60/3 30 KW

Key	Part Number	Description	Qty
*	5192-285-001	Relay.....	1
*	5192-285-004	Relay.....	1
*	5192-294-001	Heating element relay	1
*	5192-295-011	Motor Relay	1
*	5198-213-003	Circuit-Breaker 3 pole.....	2
*	9295-004-001	Jumper-Formed	2
*	9295-005-001	Jumper-Straight.....	4
*	9377-003-001	Varistor-Coil suppressor.....	1
*	9488-010-003	"Din Rail 4 3/4""	1
*	9870-088-002	Heater element 15KW 240V.....	2
*	9897-026-001	Terminal Block.....	1
*	9897-037-001	"Block Power, 1 pole"	1
*	9897-038-001	"Block Power, 3 pole"	1
*	8514-104-001	Owners Booklet	1
*	9506-172-001	Schematic.....	1
*	9506-173-001	Wiring diagram	1

DCTD30 HC_16FE 208/60/3 30KW

Key	Part Number	Description	Qty
*	5192-285-001	Relay.....	1
*	5192-285-004	Relay.....	1
*	5192-294-001	Heating element relay	1
*	5192-295-011	Motor Relay	1
*	5198-213-004	Circuit-Breaker 3 pole.....	2
*	9295-004-001	Jumper-Formed	2
*	9295-005-001	Jumper-Straight.....	4
*	9377-003-001	Varistor-Coil suppressor.....	1
*	9488-010-003	"Din Rail 4 3/4""	1
*	9870-088-001	Heater element 15KW 208V.....	2
*	9897-026-001	Terminal Block.....	1
*	9897-037-001	"Block Power, 1 pole"	1
*	9897-038-001	"Block Power, 3 pole"	1
*	8514-104-001	Owners Booklet	1
*	9506-170-001	Schematic.....	1
*	9506-171-001	Wiring diagram	1

DCTD30 HC_16FC 208/60/3 24KW

Key	Part Number	Description	Qty
*	5192-285-001	Relay.....	1
*	5192-285-004	Relay.....	1
*	5192-295-011	Motor Relay	1
*	5192-296-001	Heating element relay	1
*	5198-213-002	Circuit-Breaker 2 pole.....	2
*	9295-004-001	Jumper-Formed	2
*	9295-005-001	Jumper-Straight.....	4
*	9377-003-001	Varistor-Coil suppressor.....	1
*	9488-010-003	"Din Rail 4 3/4""	1
*	9870-088-005	Heater element 12KW 208V.....	2
*	9897-026-001	Terminal Block.....	1
*	9897-037-001	"Block Power, 1 pole"	1
*	9897-038-001	"Block Power, 3 pole"	1
*	8514-104-001	Owners Booklet	1
*	9506-202-001	Schematic.....	1
*	9506-203-001	Wiring diagram	1

DCTD30 HC_18FD 240/60/3 24KW

Key	Part Number	Description	Qty
*	5192-285-001	Relay.....	1
*	5192-285-004	Relay.....	1
*	5192-295-011	Motor Relay	1
*	5192-296-001	Heating element relay	1
*	5198-213-001	Circuit-Breaker 2 pole.....	2
*	9295-004-001	Jumper-Formed.....	2
*	9295-005-001	Jumper-Straight.....	4
*	9377-003-001	Varistor-Coil suppressor.....	1
*	9488-010-003	"Din Rail 4 3/4".....	1
*	9870-088-004	Heater element 12KW 240V.....	2
*	9897-026-001	Terminal Block.....	1
*	9897-037-001	"Block Power, 1 pole".....	1
*	9897-038-001	"Block Power, 3 pole".....	1
*	8514-104-001	Owners Booklet.....	1
*	9506-178-001	Schematic.....	1
*	9506-179-001	Wiring diagram.....	1

DCTD30 HC_60FA 208/60/1 20KW

Key	Part number	Description	Qty
*	5192-285-001	Relay.....	1
*	5192-285-004	Relay.....	1
*	5192-294-001	Heating element relay	1
*	5192-295-011	Motor Relay	1
*	5198-214-001	Circuit-Breaker 3 pole.....	2
*	9295-005-001	Jumper-Straight.....	4
*	9376-259-006	Motor	1
*	9377-003-001	Varistor-Coil suppressor.....	1
*	9488-010-003	"Din Rail 4 3/4".....	1
*	9870-092-002	Heater element 10KW 208V.....	2
*	9897-026-001	Terminal Block.....	1
*	9897-037-001	"Block Power, 1 pole".....	1
*	9897-038-001	"Block Power, 3 pole".....	1
*	8514-104-001	Owners Booklet.....	1
*	9506-187-001	Schematic.....	1
*	9506-188-001	Wiring diagram.....	1

DCTD30 HC_61FB 240/60/1 20KW

Key	Part number	Description	Qty
*	5192-285-001	Relay.....	1
*	5192-285-004	Relay.....	1
*	5192-294-001	Heating element relay	1
*	5192-295-011	Motor Relay	1
*	5198-214-002	Circuit-Breaker 3 pole.....	2
*	9295-005-001	Jumper-Straight.....	4
*	9377-003-001	Varistor-Coil suppressor.....	1
*	9488-010-003	"Din Rail 4 3/4".....	1
*	9870-092-001	Heater element 10KW 240V.....	2
*	9897-026-001	Terminal Block.....	1
*	9897-037-001	"Block Power, 1 pole".....	1
*	9897-038-001	"Block Power, 3 pole".....	1
*	8514-104-001	Owners Booklet.....	1
*	9506-225-001	Schematic.....	1
*	9506-226-001	Wiring diagram.....	1

Steam Heated and Electrical Parts List

DCTD30 HT_-10FS 120/60/1

Key	Part Number	Description	Qty
*	8220-057-025	Wire Asy- BLK/YEL 40"	1
*	8220-057-026	Wire Asy- WHT/YEL 40"	1
*	8220-064-034	Wire Asy-BLK/YEL 66"	1
*	8220-064-035	Wire Asy-Wht/YEL 66"	1
*	8220-064-037	Wire Asy-GRN 40"	1
*	8220-101-002	Wire Asy- BLK 64"	1
*	8220-101-005	Wire Asy-GRY 64"	1
*	8502-708-001	Label-Exhaust Warning	1
*	8502-717-001	Label-Coillintscreen	1
*	8514-082-001	Booklet-Owners.....	1
*	8652-130-037	Terminal-Grounding	1
*	8653-039-000	Connector-Wire, Inline, 1/4	1
*	8655-073-041	Nipple-1/2 Close, BLK	1
*	9089-047-001	Coil-Heating, Steam	1
*	9109-108-001	Duct-Thermostat, Overtemp.....	1
*	9142-039-001	Elbow-90 Degree 8"	1
*	9241-187-001	Housing-Thermostat, Overtemp.....	1
*	9379-193-001	Valve-Solenoid, Steam.....	1
*	9506-035-002	Wiring Label-Schematic	1
*	9506-036-002	Wiring Label-Diagram	1
*	9805-031-001	Lint Screen Asy-Intake	1