

**INDUSTRIAL WASHER
MODEL T-900/950 ON-PREMISE
N-SERIES CONTROL**



DEXTER.
LAUNDRY

**OPERATOR'S MANUAL
INSTALLATION & OPERATION
INSTRUCTIONS**

Please read this information and retain for reference.

WARNING: THIS WASHER IS EQUIPPED WITH DEVICES AND FEATURES RELATING TO ITS SAFE OPERATION. TO AVOID INJURY OR ELECTRICAL SHOCK, DO NOT PERFORM ANY SERVICING UNLESS QUALIFIED TO DO SO.

IT IS THE RESPONSIBILITY OF THE OWNER TO CHECK THIS EQUIPMENT ON A FREQUENT BASIS TO ASSURE ITS SAFE OPERATION.

A machine should NOT be allowed to operate if any of the following occur:

- Excessively high water level.
- If machine is not connected to a properly grounded circuit.
- If the door does not remain securely locked during the entire cycle.
- Vibration or shaking from an inadequate mounting or foundation.

WARNING - SAFETY PRECAUTIONS

- Always shut off power and water supply before servicing.
- Do not overload the washer.
- Do not open door when cylinder is in motion or it contains water.
- Do not bypass any safety devices of this washer.
- Do not use volatile or flammable substances in or near this washer.
- Keep all panels in place. They protect against shock and injury and add rigidity to the washer.

PREVENTIVE MAINTENANCE REQUIREMENTS

DAILY

- Check that the loading door remains securely locked and cannot be opened during an entire cycle.
- Check the water connections for leaks.
- Clean the top, front, and sides of the cabinet to remove residue.
- Clean the soap dispenser and lid and check that all dispenser mounting screws are in-place and tight.
- Check the drain valve for leaking and that it opens properly.
- Check the loading door for leaks. Clean the door seal of all foreign matter.
- Leave the loading door open to aerate the washer when not in use.

QUARTERLY

- Make sure the washer is inoperative by switching off the main power supply.
- Check the V-belts for wear and proper tension.
- Clean lint and other foreign matter from around motor.
- Check all water connections for leaks.
- Wipe and clean the inside of the washer and check that all electrical components are free of moisture and dust.
- Remove and clean water inlet hose filters. Replace if necessary.
- Check anchor bolts. Retighten if necessary

IMPORTANT: Replace any and all panels that were removed to perform daily and/or quarterly maintenance.

TABLE OF CONTENTS

| | | |
|-------|---|----|
| 1 | INSTALLATION INSTRUCTIONS | 3 |
| 1.1 | FOUNDATION REQUIREMENTS..... | 3 |
| 1.2 | MOUNTING | 3 |
| 1.3 | PLUMBING | 7 |
| 1.4 | DRAIN | 7 |
| 1.5 | PROTECTIVE FILM..... | 7 |
| 1.6 | ELECTRICAL..... | 7 |
| 1.6.1 | INSTALLING THE ELECTRICAL CONNECTION | 8 |
| 1.6.2 | FUSING REQUIREMENTS..... | 8 |
| 1.6.3 | CONTROLS TRANSFORMER (208-240V models only) | 8 |
| 1.6.4 | MAXIMUM SPIN SPEED ADJUSTMENT | 9 |
| 1.7 | INJECTION SOURCE CONNECTIONS | 10 |
| 1.8 | OPERATION CHECK | 10 |
| 2 | WASHER OPERATION..... | 11 |
| 2.1 | CONTROL BUTTONS | 11 |
| 2.2 | STARTING THE WASHER..... | 12 |
| 2.3 | OPTIONAL SOAK | 13 |
| 2.4 | END OF CYCLE | 13 |
| 2.5 | SAFETY DOOR LOCK..... | 13 |
| 2.6 | VARIABLE FREQUENCY DRIVE INDICATORS | 13 |
| 3 | MACHINE PROGRAMMING INSTRUCTIONS | 15 |
| 3.1 | EDITING AN EXISTING CYCLE | 15 |
| 3.2 | PROGRAMMING A NEW CYCLE | 17 |
| 3.3 | DEFAULT WASHER CYCLE PROGRAMS | 18 |
| 3.4 | RAPID ADVANCE MODE | 30 |
| 3.5 | DIAGNOSTIC TEST CYCLE..... | 31 |
| 4 | TROUBLESHOOTING | 34 |
| 5 | SERVICE AND PARTS..... | 40 |

| MODEL | T-900/950 60 LB. WASHER |
|----------------------|--|
| CAPACITY | 60 LBS/9 CUBIC FT. (27.2 kg/255 L) |
| CYLINDER SIZE | 30" DIA X 22" DEEP (76 cm X 55.9 cm) |
| ELECTRICAL | 208-240 VAC, 60 HZ, 1 OR 3 PHASE; OR 208-240 VAC, 60 HZ, 3 PHASE ONLY (ELECTRIC HEAT MODEL) |
| DRIVE SYSTEM | SOFT START REVERSING INVERTER DRIVE |
| WASH SPEED | 43 RPM |
| INTERMEDIATE EXTRACT | 375 RPM (60 G'S) |
| FINAL EXTRACT | T-900: 484 RPM (100 G'S) T-950: 685 RPM (200 G'S) |
| MACHINE CONTROL | PROGRAMMABLE COMPUTER UP TO 30 CYCLES |
| WATER INLET | SOLENOID OPERATED VALVES, 30-120 PSI T-900: 2 VALVES, 9 GAL/MIN (34 L/MIN) EACH T-950: 2 DUAL VALVES 9 GAL/MIN (34 L/MIN) EACH. 2 SINGLE VALVES 12 GAL/MIN (45 L/MIN) EACH. |
| DRAIN VALVE | 3" (76 mm) DIAMETER |

Table 1: Washer Specifications

1 INSTALLATION INSTRUCTIONS

All washers must be installed in accordance with all local, state and national building, electrical, plumbing and other codes in effect in the area.

WARNING:
THESE INSTALLATION AND SERVICING INSTRUCTIONS ARE FOR USE BY QUALIFIED PERSONNEL ONLY. TO AVOID INJURY AND ELECTRICAL SHOCK, DO NOT PERFORM ANY SERVICING OTHER THAN THAT CONTAINED IN THE OPERATING INSTRUCTIONS, UNLESS QUALIFIED.

1.1 FOUNDATION REQUIREMENTS

This machine is designed for use on or over bare concrete floor - not to be used above combustible flooring, such as carpet or wood. The washer must be securely bolted **and grouted** to a substantial concrete floor, or mounted **and grouted** upon a suitable base that is securely bolted **and grouted** to a substantial concrete floor.

CARE MUST BE TAKEN WITH ALL FOUNDATION WORK TO ENSURE A STABLE UNIT INSTALLATION, ELIMINATING POSSIBILITIES OF EXCESSIVE VIBRATION.

All installations require concrete floors 8 inches (203 mm) or thicker. Anchor bolts or expansion anchors must be of a quality grade and a minimum of 3/4 inch (19 mm) diameter. Six bolts are required to mount the washer to the steel base or concrete pad. Mounting hardware is not provided with the machine.

1.2 MOUNTING

A concrete pedestal or steel-mounting base that elevates the machine approximately 4 inches (102 mm) above the floor level is recommended to provide easy access to the loading door. Allow a minimum 24 inches (610 mm) of clearance behind the rear of the machine to provide access for motor service. Refer to Figures Figure 1-1 and Figure 1-2 for machine bolt-down dimensions. Contact a Dexter laundry equipment distributor for recommended steel mounting bases.

If an elevated concrete pedestal is desired, it should be embedded into the existing floor. Anchor bolts should be 3/4" x 8" (19 mm x 200 mm), grade 8 or better, headed by a 4 inch (10 cm) square fish plate and should protrude 2 1/2" (64 mm) above the finished surface of the pedestal.

EXPANSION ANCHORS ARE NOT RECOMMENDED FOR USE IN CONCRETE PEDESTALS BECAUSE THE ANCHORS ARE TOO CLOSE TO AN EDGE, CAUSING IT TO BREAK OUT.

Refer to Figures Figure 1-1 and Figure 1-3 for recommended concrete pedestal dimensions. Refer to Figure Figure 1-4 for overall machine mounting dimensions.

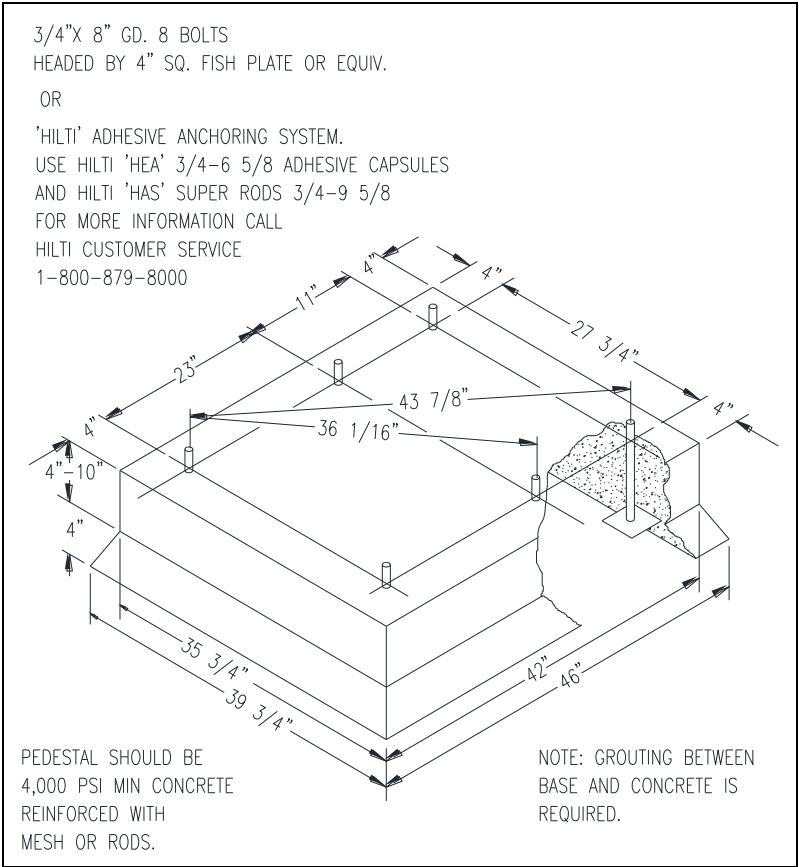


Figure 1-1: Concrete Pedestal Mounting

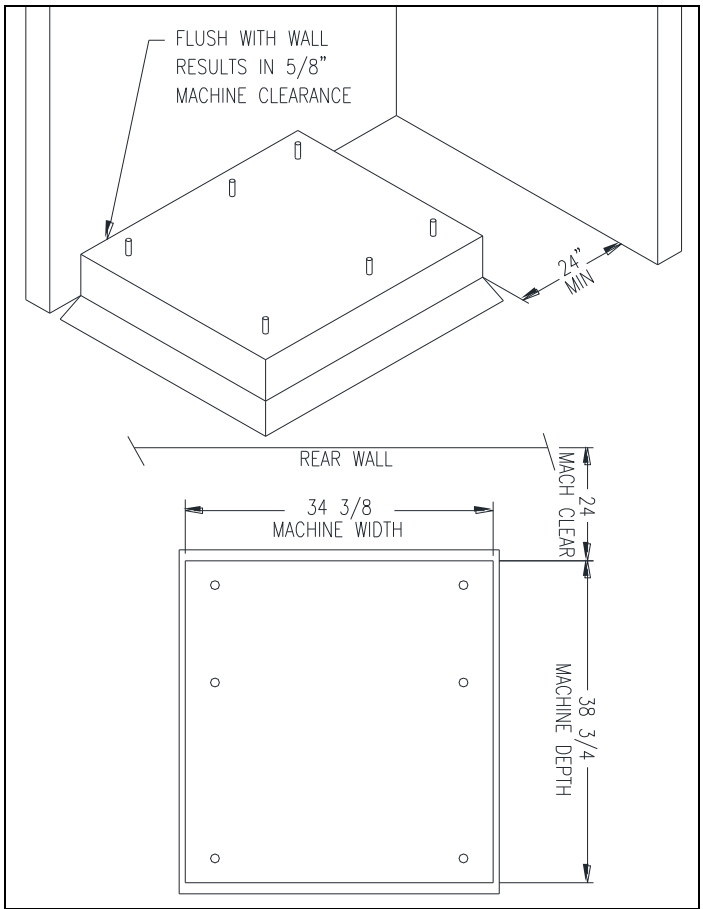


Figure 1-2: Floor Outline

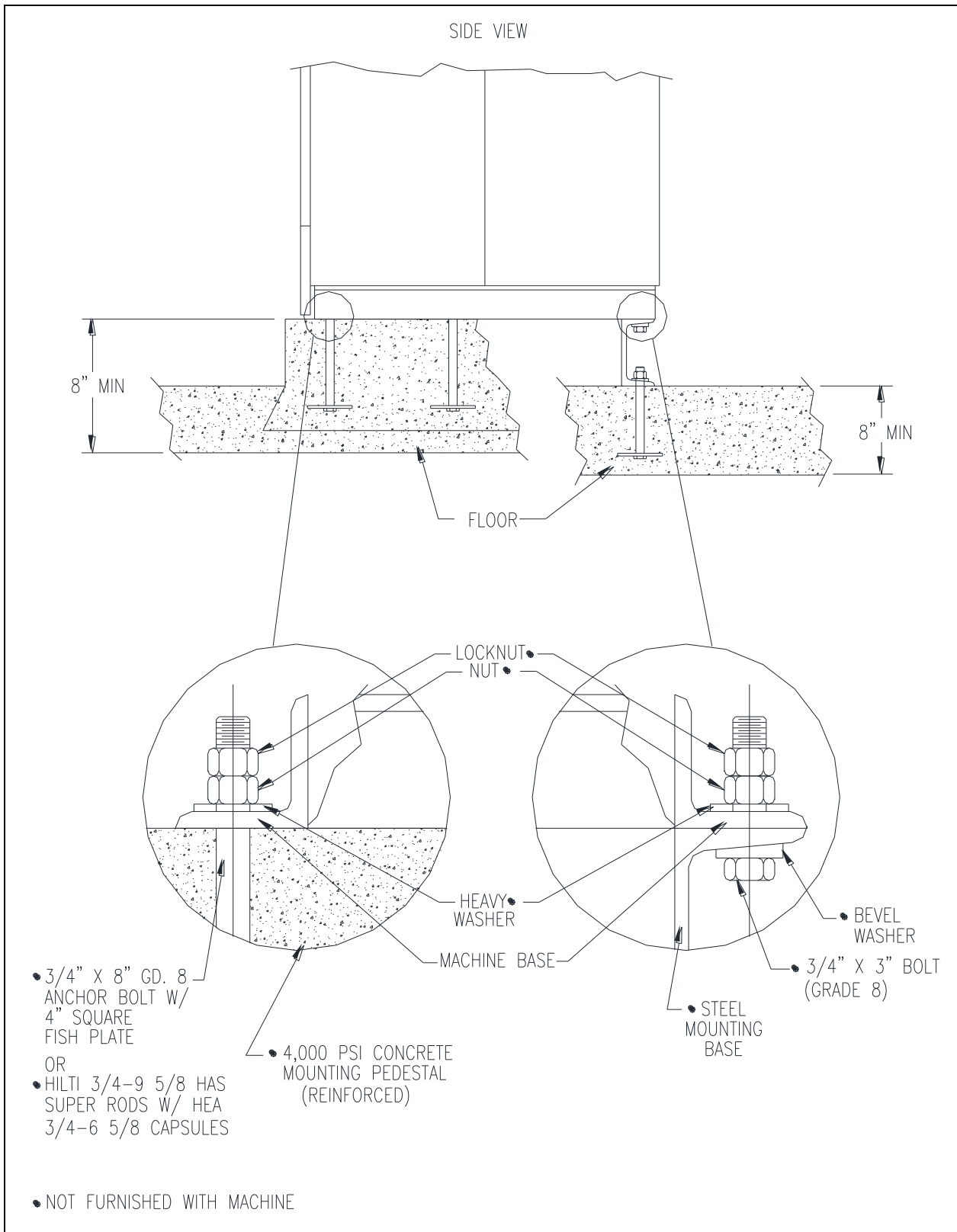


Figure 1-3: Machine Mounting Detail

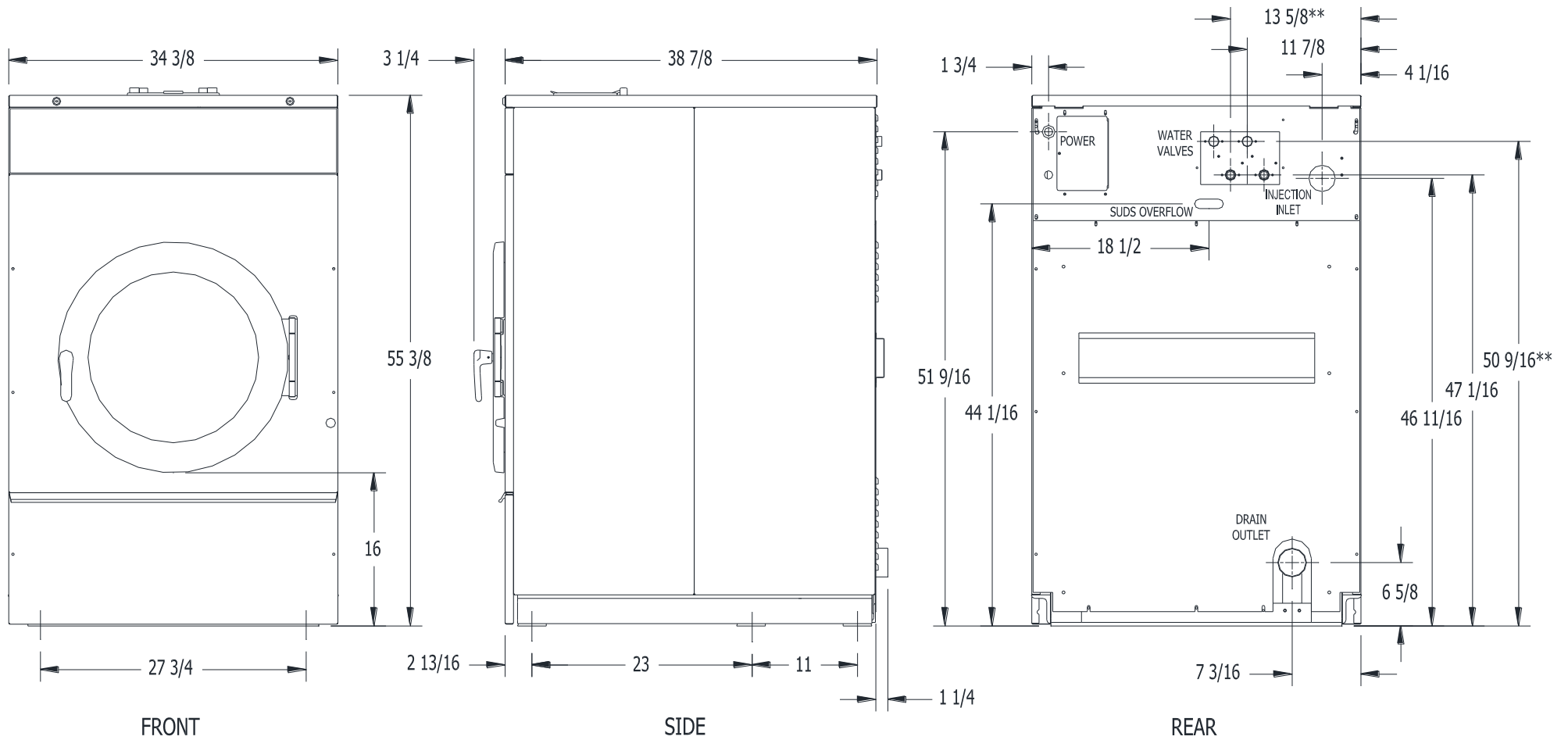


Figure 1-4: T-900/950 Industrial Washer Mounting Diagram

****NOTE:** Top water valves shown in Figure 1-4 are only on T-950 model.

1.3 PLUMBING

Two (for T-900 models) or four (for T-950 models) 48 inch (1.22 m) water supply hoses are provided with each machine. The threaded connections on the hoses are $\frac{3}{4}$ -11 $\frac{1}{2}$ NHT.

Separate hot and cold water lines must be supplied to the machine, maintaining 30 psi to 120 psi (207 kPa to 827 kPa) water flow pressure. A 140°F (60°C) hot water supply is recommended for best washing results. Do not exceed 180°F (82°C) water temperature.

1.4 DRAIN

The drain outlet tube at the rear of the machine is 3 inches (76 mm) in diameter. Any drain hose used must be lower than the drain valve to assure proper draining.

1.5 PROTECTIVE FILM

The machine may have protective adhesive film on the front control panel label area and on the front, top, and side stainless steel panels. The film may be peeled off before putting the machine into service.

1.6 ELECTRICAL

The Dexter T-900/950 single/three-phase 208-240VAC 60 Hz and T-900/950 three-phase 208-240VAC 60 Hz (with Electric Heater) washing machines are intended to be permanently installed appliances. No power cord is provided. The machine should be connected to an individual branch circuit not shared by lighting or other equipment. The connection should be sheathed in liquid tight flexible conduit, or equivalent, with conductors of the proper size and insulation. A qualified technician should make such connections in accordance with the wiring diagram with a minimum 12 gauge wire. Select models with the electric heat option require a minimum 6 gauge wire.

WARNING:
SHUT OFF POWER AND WATER BEFORE OPENING ANY SERVICE PANELS.

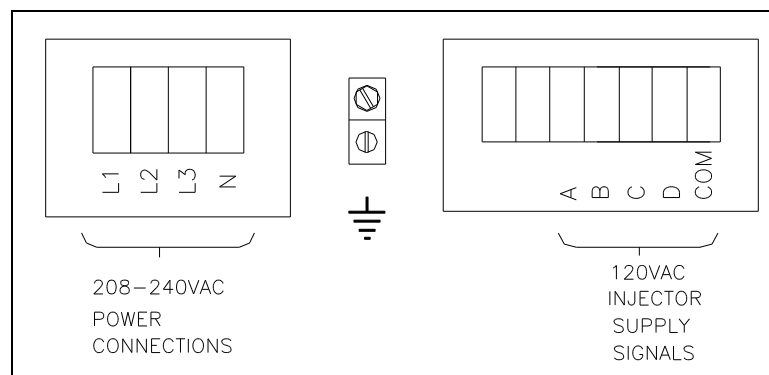


Figure 1-5: Electrical Connections and Chemical Supply Signals

1.6.1 INSTALLING THE ELECTRICAL CONNECTION

- 1.6.1.1 Disconnect all power to the washer.
- 1.6.1.2 Locate the power terminal block cover in the upper left corner of the machine when viewed from the back. Remove the screw and lift out the cover. Connections are as shown in Figure 1-5.
- 1.6.1.3 If power is 208-240-**3PH**-60Hz, connect L1, L2, L3 and Ground. If there is a high leg, it must be connected to L3.
- 1.6.1.4 If power is 208-240-**1PH**-60Hz, connect L1, L2 and Ground.

NOTE: It is important that the grounding screw next to the power terminal block TB-1 be connected to a good external ground.

1.6.2 FUSING REQUIREMENTS

Single- and Three -phase 208-240VAC 60 Hz models:

20 AMP TIME-DELAY (DUAL ELEMENT) FUSE (or equivalent circuit breaker)

Three -phase 208-240VAC 60 Hz models with electric heat source:

60 AMP TIME-DELAY (DUAL ELEMENT) FUSE (or equivalent circuit breaker)

1.6.3 CONTROLS TRANSFORMER (208-240V models only)

The controls transformer is located inside the control trough and steps a range of 208 to 240 volts down to 115 volts. There are two terminals on the controls transformer for the primary (incoming) power. Use the terminal marked "208V" for power supplies between 208 and 219 volts. Use the terminal marked "240V" for power supplies between 220 and 240 volts. Refer to Figure 1-6 for control transformer connections.

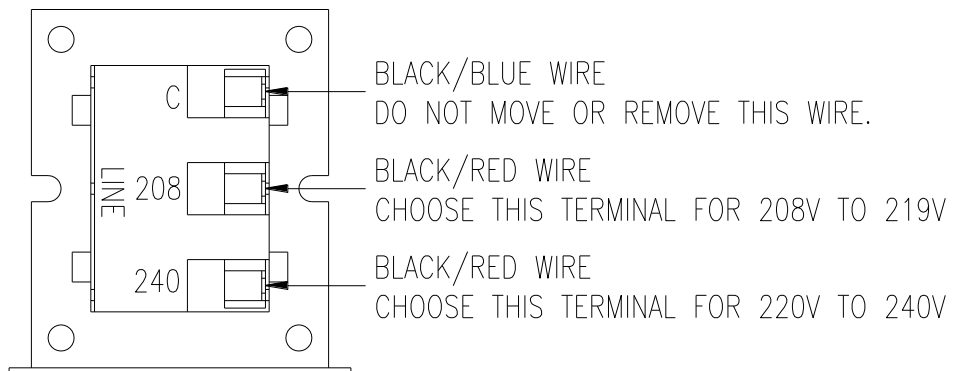


Figure 1-6: Control Transformer Connections

1.6.4 MAXIMUM SPIN SPEED ADJUSTMENT

If desired, the washer can be adjusted to limit the maximum extract spin speed for all wash cycles.

To make this adjustment, a jumper wire must either be installed or removed on the Variable Frequency Drive (VFD), depending on the washer model and desired speed. This Dexter jumper part number 8220-057-036 (qty 1) is factory supplied on terminal points "10V" and "RC". Remove this jumper to make new jumper connections if necessary. Refer to Figure 1-7 for the approximate location of the control terminations on the Variable Frequency Drive (VFD) and Table 2 for appropriate jumper connection points indicated with an "X" for the desired maximum spin speed setting. If no adjustment to default spin speed is desired, do not remove or add any wires on VFD.

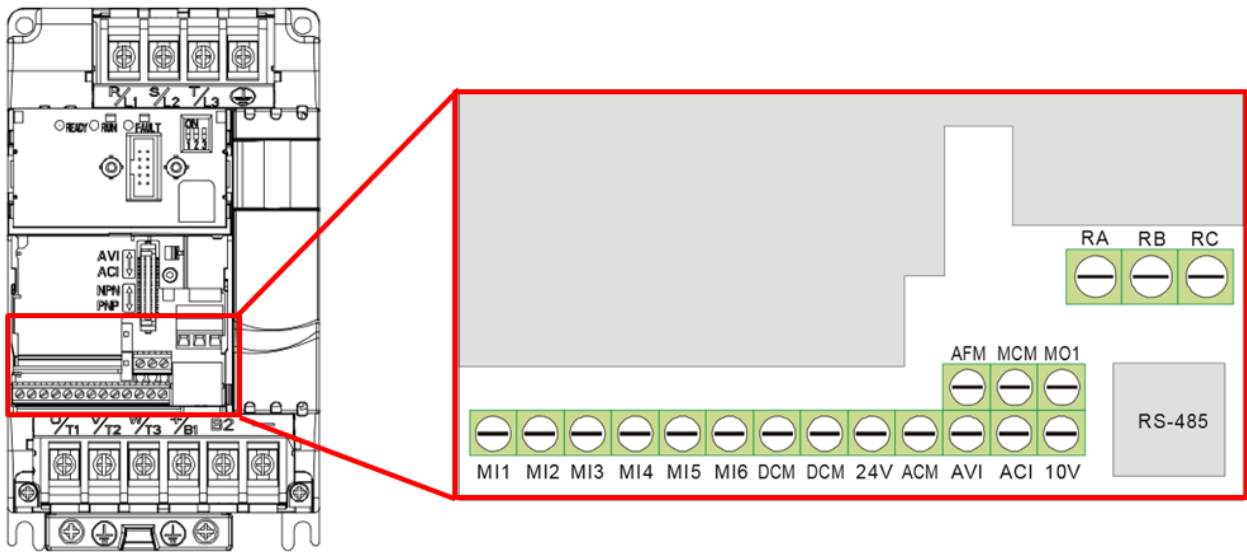


Figure 1-7: Control Terminations on Variable Frequency Drive

| N Series Washer Model | Max Spin Speed | Jumper Terminal Locations on Variable Frequency Drive (VFD) | | | | | | | | | | | | | |
|-----------------------|----------------|---|-----|-----|-----|-----|-----|------------|-------------|-----|-----|-----|-----|-----|-----|
| | | MI1 | MI2 | MI3 | MI4 | MI5 | MI6 | DCM (Left) | DCM (Right) | 24V | ACM | AVI | ACI | 10V | M01 |
| T-600, T-900, T-1200 | 60 G | | | | | | | | | | | | X | | X |
| | 80 G | | | | | | X | | X | | | | | | |
| | 100 G | Default Setting (No Jumper Required) | | | | | | | | | | | | | |
| T-950, T-1450 | 100 G | | | | | | | | | | | | X | | X |
| | 140 G | REMOVE Brown Jumper between MI6/M01 | | | | | | | | | | | | | |
| | 200 G | Default Setting (With Factory Installed Brown Jumper) | | | | | | | | | | | | | |

Table 2: Spin Speed Adjustment Jumper Locations

1.7 INJECTION SOURCE CONNECTIONS

The washer control may be programmed to send six 120V output signals for a chemical injection system of up to four chemical sources. There are convenient electrical connection points for the injection pumps in the rear of the machine, as shown in Figure 1-5. The four independent pumps can be controlled through the signals A, B, C and D. The COM shown in Figure 1-5 is the common or return for these injection signals. For the injection sources, program codes 0 through 6 and their respective terminal block connections and combinations are as shown in Table 3.

| Dexter Recommended Connections | Controller Programmed Signals | Injection Terminal Block Circuits |
|--------------------------------|-------------------------------|-----------------------------------|
| Detergent | 1 | A |
| Bleach | 2 | B |
| Starch | 3 | C |
| Sour/Softener | 4 | D |
| | 5 | A and B |
| | 6 | C and D |
| | 0 | None |

Table 3: Injection Signal and Circuit Identification

Chemical Injection hoses are to be inserted into the injection inlet at the upper right rear of the washer. These hoses should be inserted into the round PVC pipe a minimum of 14" (35.5 cm) and a maximum of 18" (45.7 cm) to eliminate chemical buildup in the pipe and/or restrict water flow to the tub. Secure the hoses as required.

1.8 OPERATION CHECK

After all mounting, plumbing and electrical work is completed, run through each step of the diagnostic cycle (cycle #31), detailed in section 3.5, and a complete wash cycle. Check for water leaks and verify proper operation.

During intermediate spin and final spin, the cylinder should turn in a **counterclockwise** direction when viewed from the front of the machine. If spin is clockwise, the T1 and T2 motor wires connecting to terminal T1 and T2 on the variable frequency drive should be swapped. Remove power to the machine before opening service panels and swapping wires.

2 WASHER OPERATION

2.1 CONTROL BUTTONS

There are four (4) push buttons that control the washer operation. Each button is shown in Figure 2-1, followed by an explanation of each button.

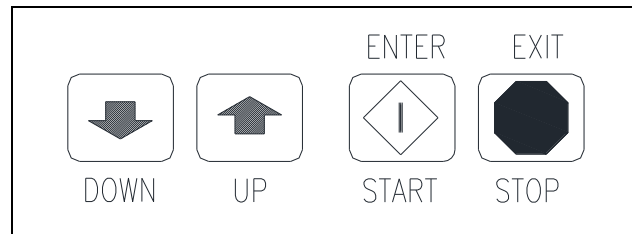


Figure 2-1: Washer Control Keypad Layout

SCROLL DOWN ARROW: Press momentarily / press and hold.

Scroll Down decreases the cycle number displayed by one each time the switch is pressed. When the "DOWN" is held, the display cycle numbers will continue to decrease until cycle #1 is reached at which time the cycle number displayed will rollover to cycle #30 (cycle #31 while in Programming Mode).

SCROLL UP ARROW: Press momentarily / press and hold.

Scroll Up increases the cycle number displayed by one each time the switch is pressed. When the "UP" is held, the display cycle numbers will continue to increase until cycle #30 (cycle #31 while in Programming Mode) is reached at which time the cycle number displayed will rollover to cycle #1.

START/ENTER (green diamond): Press momentarily.

Starts the cycle shown on the display. If a wash cycle is interrupted, pressing the "START" button will resume the cycle from the point at which the cycle was interrupted.

STOP/EXIT (red octagon):

When pressed momentarily, it pauses the washer during the cycle. All washer cycle information is retained, the door remains locked, and the water remains in the tub.

When pressed and held for 3 seconds or longer, it stops the washer, clears the cycle, drains the water, and unlocks the door (up to 3 minutes after the washer is stopped). All washer cycle information is cleared, and it is ready for the next wash cycle.

WARNING:
**PRESSING AND HOLDING THE STOP IS AN EMERGENCY STOP
BUTTON. HOWEVER, THIS DOES NOT DISCONNECT THE
MACHINE FROM THE INPUT POWER.**

2.2 STARTING THE WASHER

2.2.1 Turn on power to the washer.

2.2.2 Ensure washer is in "RUN" mode.

Locate the "ADVANCE/RUN/PROGRAM" key switch and key. The current mode is indicated by the alignment of the key slot. If washer is not in "RUN" mode, insert and turn the key to the "RUN" position.

2.2.3 Load the laundry.

Place laundry loosely into the cylinder and latch the door securely. Be sure laundry does not get caught between the door gasket and tub front when closing the door. Maximum load is 60 pounds clothes, dry weight. Do not load the washer with more than 60 pounds.

NOTE: To begin closing the door, the handle must be in the horizontal position. After moving the door to the closed position, the handle must be turned down to the vertical position in order to latch the door for machine operation.

2.2.4 Select wash cycle.

Select the appropriate cycle number (1 through 30) for the type of load being washed. See the default cycle descriptions in section 3.3. Use the "UP" and "DOWN" buttons to change the two digit cycle number on the display to the desired cycle.

2.2.5 Add washing chemicals.

If not using a chemical injection system, add low sudsing powdered detergent into the "DETERGENT" compartment of the automatic dispenser on the top of the washer.

If liquid wash products are used in the "DETERGENT" compartment, they must be added at the beginning of the wash cycle.

If desired, add fabric softener to the "FABRIC SOFTENER" compartment. Use the amount of fabric softener as recommended by the manufacturer. This compartment will be flushed during the "FINAL RINSE" segment of the cycle.

If the machine is set for pre-wash, washing products can be added to the round opening of the dispenser or put in with the clothes when loading the washing machine.

If bleach is desired, DO NOT place into dispenser until step 2.2.7.

2.2.6 Press "START".

The door will lock and remain locked until the end of the cycle. The cycle time remaining is displayed throughout the cycle. The cycle number in operation can be displayed by pressing and holding "START", then press "UP". The cycle number will be displayed as

long as these two buttons are pressed.

2.2.7 Add bleach if desired.

If you wish to manually add bleach during the cycle, add bleach in the "BLEACH" compartment 3 minutes after the start of the "WASH" cycle.

NOTE: Any additional washing chemicals may be added at the appropriate time by pouring into the round opening on the top of the washer.

2.3 OPTIONAL SOAK

At any time during the cycle, the red "STOP" button can be momentarily pressed to pause the washer. All washer cycle information is retained and the door remains locked. The washer will soak the load for 15 minutes then agitate for 30 seconds. This will repeat until the cycle is started again. This feature allows for an extended soak if required. The washer cycle will continue when the "START" button is pressed.

NOTE: The selected cycle can be cleared at any time by pressing and holding the "STOP" button for a minimum of 3 seconds.

2.4 END OF CYCLE

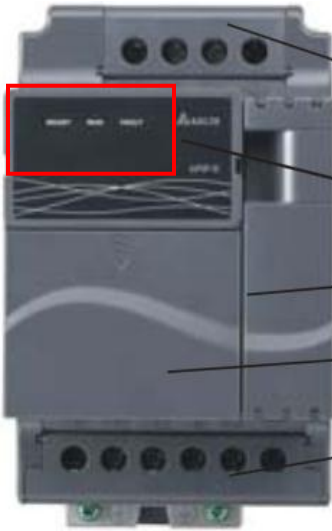
At the end of the cycle, the machine stops, the "END CYCLE" LED illuminates, the alarm sounds, and the loading door unlocks. The door can now be opened. Immediately remove contents of washer. Leave the door open when the machine is not in use.

2.5 SAFETY DOOR LOCK

This machine is equipped with a safety door lock that locks the door when the cycle is started until the cycle is complete. The door lock prevents opening the door for up to 3 minutes if the power is interrupted during the cycle.

2.6 VARIABLE FREQUENCY DRIVE INDICATORS

There are three small red LEDs located on the upper Variable Frequency Drive (VFD) cover. They are labeled as "READY", "RUN", and "FAULT" and can be used for troubleshooting. The definitions of the LEDs are listed in Table 4 below.



| Washer Condition | "READY" LED Status | "RUN" LED Status | "FAULT" LED Status |
|---|--------------------------|---------------------|--------------------------|
| Idle Mode (No Cylinder Movement) | ON | OFF | OFF |
| Tumbling | ON | ON | OFF |
| Stop from Tumble | ON | FLASHING | OFF |
| Ramp to Intermediate or Final Extract Spin | ON | ON | OFF |
| Spinning (Intermediate or Final) | ON | ON | OFF |
| Stop from Spin (Intermediate or Final) | ON | FLASHING | OFF |
| Faulted | ON | OFF | ON |

Table 4: Variable Frequency Drive Indicators

3 MACHINE PROGRAMMING INSTRUCTIONS

This Dexter T-900/950 computer control OPL machine has 30 different selectable cycles; 29 of the 30 cycles are preset with the most common industry applications. See section 3.3 for complete cycle information. If these cycle settings do not meet the required application, each cycle is reprogrammable by the user simply and reliably.

Each cycle can have up to 9 baths including Flush, Prewash, Wash, Rinse 1, 2, 3, 4, 5 and Final Rinse/Extract. Each of those baths can be customized with various defined settings including Cycle Time, Water Temperature, Water Level, Spin Time, and Injection Source. Programming can be accomplished manually using the machine controls. Please read below for manual programming instructions.

NOTE: It is recommended when changes are made to one or more of the preset programs that the cycle number and the changes be documented for later reference. Blank cycle tables have been provided at the end of section 3.3.

3.1 EDITING AN EXISTING CYCLE

3.1.1 *Turn on the power to the washer.*

Washer must be in idle mode to program.

3.1.2 *Ensure washer is in "PROGRAM" mode.*

Locate the "ADVANCE/RUN/PROGRAM" key switch and key. The current mode is indicated by the alignment of the key slot. If washer is not in "PROGRAM" mode, insert and turn the key to the "PROGRAM" position.

The display will show a two digit cycle number. The "PROGRAM MODE" LED and "SELECT CYCLE" LED illuminate.

3.1.3 *Select cycle to alter.*

Press the "DOWN" or "UP" buttons on the keypad until the desired cycle number, 1 through 30, is displayed. Do not select cycle 31.

3.1.4 *Press "ENTER" to enter the cycle.*

Once pressed, the first of the nine bath LEDs will illuminate. The "SELECT CYCLE" LED is turned off.

3.1.5 *Select a bath to alter.*

Press the "UP" and "DOWN" buttons to select a bath. The bath indicator lights, shown in Figure 3-1, illuminate to indicate which bath is being selected.

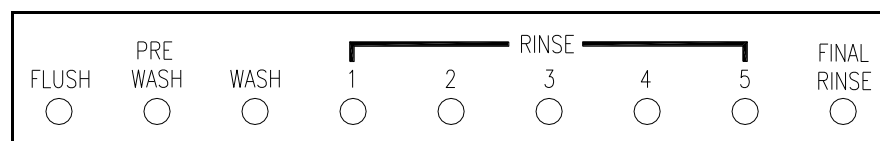


Figure 3-1: Bath Indicator Lights

There are 9 available baths to program: FLUSH, PRE WASH, WASH, RINSE1, RINSE 2, RINSE 3, RINSE 4, RINSE 5 and FINAL RINSE.

3.1.6 Press "ENTER" to display the settings.

Available settings to alter in each bath are Cycle Time, Water Temperature, Water Level, Injection Source, and Spin Time.

3.1.7 Input settings.

The first setting to alter is the Cycle Time as indicated by the "CYCLE TIME" LED. Use the "DOWN" and "UP" keys to set the desired time in minutes and press "ENTER" to advance to the next setting. If no change is desired, press "ENTER" to advance to the next setting.

Repeat process for each setting. Each bath setting can be programmed with the options shown in Table 5.

| <i>SETTING</i> | <i>OPTIONS</i> |
|--------------------------------|--|
| Cycle Time ¹ | Two-digit amount of time for bath tumble in minutes. <ul style="list-style-type: none">- 00 to 30 minutes for Flush, Prewash, Wash, Rinse 1, 2, 3, 4 and 5. If the time is set to 00, then the bath will be eliminated from the cycle.- 01 to 30 minutes for Final Rinse. |
| Water Temperature ² | HH for hot water CH for warm water CC for cold water EE for no water ³ |
| Water Level | LO for low level HI for high level |
| Injection Source ³ | Two-digit code indicating injector signal(s), 00 to 06. |
| Spin Time | Two-digit amount of time for spin in minutes. <ul style="list-style-type: none">- 00 to 10 minutes for Flush, Prewash, Wash, Rinse 1, 2, 3, 4, and 5- 01 to 10 minutes for Final Rinse |

Table 5: Bath Program Settings

¹ Cycle times are approximate and do not include fill time from empty to low water level. However, fill time from low to high water level is included as computer operates during this period.

² For models with electric heat, entering a temperature value of 20°-90°C will result in a heated bath if temperature of fill water is less than programmed temperature.

³ Codes for injections sources are defined in Table 3. When "EE" is selected in the Water Temperature setting, the electronic controller prohibits injection signals. The programmed injection source value is ignored.

When the final desired Spin Time setting is selected, press "ENTER". The Spin Time is entered, The "SPIN TIME" LED turns off, and the editing of the selected bath is complete. The next sequential bath light is immediately illuminated.

3.1.8 Program another bath.

If desired, repeat steps 3.1.5 through 3.1.7 to program another bath. Otherwise, continue to the next step.

3.1.9 Program another cycle.

To program a different cycle when any of the nine bath LEDs are illuminated, press the "EXIT" button. The "SELECT CYCLE" LED will immediately illuminate. The programming changes made prior to the program exit are retained and the cycle is updated.

NOTE: When the "FINAL RINSE" bath programming is complete, the cycle programming is also complete and the "SELECT CYCLE" LED will immediately illuminate. Another cycle can be programmed.

If desired, repeat steps 3.1.3 through 3.1.8 to program another cycle. Otherwise, continue to the next step to end programming.

3.1.10 End programming mode.

When the "SELECT CYCLE" LED is illuminated, turn the key to the "RUN" position. The "PROGRAM MODE" LED will turn off.

NOTE: The Wash Cycle programming mode will automatically exit and return to the Idle mode if no buttons are pressed for one minute.

3.2 PROGRAMMING A NEW CYCLE

The instructions for entering a new cycle are the same as the instructions in section 3.1. To program a new cycle, an existing cycle number between 1 and 30 must be overridden with a custom program. Cycle 31 cannot be reprogrammed. Only the cycle baths required need to be programmed. Any baths, except FINAL RINSE, can be skipped by entering a "00" time value in the Cycle Time for each unused bath.

3.3 DEFAULT WASHER CYCLE PROGRAMS

The factory default cycles pre-programmed into the washer are listed with each bath and setting option in this section. All wash cycles can be reprogrammed, refer to section 3.1 for instructions.

To reset all customized programs back to original factory default settings, refer to section 3.5 and complete step 14 of the Test Diagnostic Cycle.

| Application | Cycle # | Recommendation Description |
|--------------------|----------------|--|
| Shirt/Laundry | 1 | Shirts – No Starch |
| | 2 | Shirts – Starch |
| Hotel/Motel | 3 | White Sheets |
| | 4 | White Pillowcases |
| | 5 | White Towels, Bath Mats, Wash Cloths |
| | 6 | Colored Sheets and Towels |
| | 7 | Delicate Wash |
| | 8 | Housekeeping Rags and Mops |
| | 9 | Housekeeping Uniforms |
| | 10 | Stain Treatment |
| | 11 | Reclaim Part 1 |
| | 12 | Reclaim Part 2 |
| Health Care | 13 | Sheets and Pillowcases |
| | 14 | Towels |
| | 15 | Diapers and Pads |
| | 16 | Personals |
| | 17 | Delicate |
| Food & Beverage | 18 | White (Cotton/Blend) Table Linen |
| | 19 | Colored (Cotton/Blend) Table Linen |
| | 20 | White 100% Polyester Table Linen |
| | 21 | Colored 100% Polyester Table Linen |
| | 22 | White Chef Coats |
| | 23 | Kitchen and Maintenance Rags |
| | 24 | White/Colored (Cotton/Blend) Table Linen |
| | 25 | White/Colored 100% Polyester Table Linen |
| | 26 | White Chef Coats |
| | 27 | Kitchen and Maintenance Rags |
| Other | 28 | Oxygen Bleach – Terry |
| | 29 | Oxygen Bleach – Terry (No iron) |
| Test | 30 | Test Injection Signals and Pressure Switch |
| | 31 | <i>Test Diagnostic (not customizable)</i> |

Table 6: Default Washer Cycle Programs

Cycle 1 Shirts - No Starch (Shirt/Laundry)

| Bath | Bath Cycle Time (min.) | Water Temp. | Water Level | Injection Source | Spin Time (min.) |
|-------------|------------------------|-------------|-------------|----------------------|------------------|
| Flush | | | | | |
| Prewash | | | | | |
| Wash | 12 | HH | LO | 5 (Detergent/Bleach) | |
| Rinse 1 | 2 | CH | HI | | |
| Rinse 2 | 2 | CH | HI | | |
| Rinse 3 | 2 | CH | HI | | |
| Rinse 4 | | | | | |
| Rinse 5 | | | | | |
| Final Rinse | 4 | CH | LO | | 3 |

Cycle 2 Shirts - Starch (Shirt/Laundry)

| Bath | Bath Cycle Time (min.) | Water Temp. | Water Level | Injection Source | Spin Time (min.) |
|-------------|------------------------|-------------|-------------|----------------------|------------------|
| Flush | | | | | |
| Prewash | | | | | |
| Wash | 12 | HH | LO | 5 (Detergent/Bleach) | |
| Rinse 1 | 2 | CH | HI | | |
| Rinse 2 | 2 | CH | HI | | |
| Rinse 3 | 2 | CH | HI | | |
| Rinse 4 | | | | | |
| Rinse 5 | | | | | |
| Final Rinse | 7 | CH | LO | 3 (Starch) | 3 |

Cycle 3 White Sheets (Hotel/Motel)

| Bath | Bath Cycle Time (min.) | Water Temp. | Water Level | Injection Source | Spin Time (min.) |
|-------------|------------------------|-------------|-------------|-------------------|------------------|
| Flush | | | | | |
| Prewash | 7 | HH | LO | 1 (Detergent) | |
| Wash | 7 | HH | LO | 2 (Bleach) | |
| Rinse 1 | 2 | CH | HI | | 1 |
| Rinse 2 | 2 | CH | HI | | |
| Rinse 3 | | | | | |
| Rinse 4 | | | | | |
| Rinse 5 | | | | | |
| Final Rinse | 4 | CH | LO | 4 (Sour/Softener) | 4 |

Cycle 4 White Pillowcases (Hotel/Motel)

| Bath | Bath Cycle Time (min.) | Water Temp. | Water Level | Injection Source | Spin Time (min.) |
|-------------|------------------------|-------------|-------------|-------------------|------------------|
| Flush | 7 | HH | LO | 1 (Detergent) | |
| Prewash | 1 | HH | HI | | |
| Wash | 7 | HH | LO | 2 (Bleach) | |
| Rinse 1 | 2 | CH | HI | | 1 |
| Rinse 2 | 2 | CH | HI | | |
| Rinse 3 | | | | | |
| Rinse 4 | | | | | |
| Rinse 5 | | | | | |
| Final Rinse | 4 | CH | LO | 4 (Sour/Softener) | 4 |

Cycle 5 White Towels (Hotel/Motel)

| Bath | Bath Cycle Time (min.) | Water Temp. | Water Level | Injection Source | Spin Time (min.) |
|-------------|------------------------|-------------|-------------|-------------------|------------------|
| Flush | 7 | HH | LO | 1 (Detergent) | |
| Prewash | 1 | HH | HI | | |
| Wash | 7 | HH | LO | 2 (Bleach) | |
| Rinse 1 | 2 | CH | HI | | 1 |
| Rinse 2 | 2 | CH | HI | | |
| Rinse 3 | | | | | |
| Rinse 4 | | | | | |
| Rinse 5 | | | | | |
| Final Rinse | 4 | CH | LO | 4 (Sour/Softener) | 5 |

Cycle 6 Color Sheets (Hotel/Motel)

| Bath | Bath Cycle Time (min.) | Water Temp. | Water Level | Injection Source | Spin Time (min.) |
|-------------|------------------------|-------------|-------------|----------------------|------------------|
| Flush | | | | | |
| Prewash | | | | | |
| Wash | 7 | HH | LO | 5 (Detergent/Bleach) | |
| Rinse 1 | 2 | HH | HI | | |
| Rinse 2 | 2 | CH | HI | | 1 |
| Rinse 3 | 2 | CH | HI | | |
| Rinse 4 | | | | | |
| Rinse 5 | | | | | |
| Final Rinse | 4 | CH | LO | 4 (Sour/Softener) | 4 |

Cycle 7 Delicate (Hotel/Motel)

| Bath | Bath Cycle Time (min.) | Water Temp. | Water Level | Injection Source | Spin Time (min.) |
|-------------|------------------------|-------------|-------------|----------------------|------------------|
| Flush | | | | | |
| Prewash | | | | | |
| Wash | 8 | CH | HI | 5 (Detergent/Bleach) | |
| Rinse 1 | 2 | HH | HI | | |
| Rinse 2 | 2 | CH | HI | | |
| Rinse 3 | 2 | CH | HI | | |
| Rinse 4 | | | | | |
| Rinse 5 | | | | | |
| Final Rinse | 4 | CH | LO | 4 (Sour/Softener) | 4 |

Cycle 8 Rags and Mops (Hotel/Motel)

| Bath | Bath Cycle Time (min.) | Water Temp. | Water Level | Injection Source | Spin Time (min.) |
|-------------|------------------------|-------------|-------------|------------------|------------------|
| Flush | 3 | CH | HI | | |
| Prewash | | | | | |
| Wash | 2 | CH | HI | | |
| Rinse 1 | 2 | CH | HI | | |
| Rinse 2 | 7 | HH | LO | 1 (Detergent) | |
| Rinse 3 | 2 | HH | HI | | |
| Rinse 4 | 7 | HH | LO | 2 (Bleach) | |
| Rinse 5 | 2 | CH | HI | | 1 |
| Final Rinse | 2 | CH | HI | | 5 |

Cycle 9 Uniforms (Hotel/Motel)

| Bath | Bath Cycle Time (min.) | Water Temp. | Water Level | Injection Source | Spin Time (min.) |
|-------------|------------------------|-------------|-------------|-------------------|------------------|
| Flush | 2 | CH | HI | | |
| Prewash | | | | | |
| Wash | 7 | HH | LO | 1 (Detergent) | |
| Rinse 1 | 7 | HH | LO | 2 (Bleach) | |
| Rinse 2 | 2 | CH | HI | | 1 |
| Rinse 3 | 2 | CH | HI | | |
| Rinse 4 | | | | | |
| Rinse 5 | | | | | |
| Final Rinse | 4 | CH | LO | 4 (Sour/Softener) | 4 |

Cycle 10 Stain Treatment – Chlorine Bleach (Hotel/Motel)

| Bath | Bath Cycle Time (min.) | Water Temp. | Water Level | Injection Source | Spin Time (min.) |
|-------------|------------------------|-------------|-------------|----------------------|------------------|
| Flush | | | | | |
| Prewash | | | | | |
| Wash | 30 | HH | LO | 5 (Detergent/Bleach) | |
| Rinse 1 | 2 | HH | HI | | |
| Rinse 2 | 2 | HH | HI | | |
| Rinse 3 | 2 | CH | HI | | 1 |
| Rinse 4 | | | | | |
| Rinse 5 | | | | | |
| Final Rinse | 2 | CH | HI | | 4 |

Cycle 11 Reclaim Part 1 (Hotel/Motel)

| Bath | Bath Cycle Time (min.) | Water Temp. | Water Level | Injection Source | Spin Time (min.) |
|-------------|------------------------|-------------|-------------|------------------|------------------|
| Flush | | | | | |
| Prewash | | | | | |
| Wash | 20 | HH | LO | Manual | |
| Rinse 1 | 3 | HH | HI | | |
| Rinse 2 | | | | | |
| Rinse 3 | | | | | |
| Rinse 4 | | | | | |
| Rinse 5 | | | | | |
| Final Rinse | 3 | HH | HI | | 1 |

Cycle 12 Reclaim Part 2 (Hotel/Motel)

| Bath | Bath Cycle Time (min.) | Water Temp. | Water Level | Injection Source | Spin Time (min.) |
|-------------|------------------------|-------------|-------------|------------------|------------------|
| Flush | | | | | |
| Prewash | 3 | HH | HI | | |
| Wash | 20 | HH | LO | Manual | |
| Rinse 1 | 3 | HH | HI | | |
| Rinse 2 | 3 | HH | HI | | |
| Rinse 3 | 10 | HH | LO | 2 (Bleach) | |
| Rinse 4 | 3 | HH | HI | | 1 |
| Rinse 5 | | | | | |
| Final Rinse | 3 | CH | HI | | 4 |

Cycle 13 Sheets and Pillowcases (Health Care)

| Bath | Bath Cycle Time (min.) | Water Temp. | Water Level | Injection Source | Spin Time (min.) |
|-------------|------------------------|-------------|-------------|-------------------|------------------|
| Flush | 3 | CH | HI | | |
| Prewash | 2 | CH | HI | | |
| Wash | 7 | HH | LO | 1 (Detergent) | |
| Rinse 1 | 7 | HH | LO | 2 (Bleach) | |
| Rinse 2 | 2 | CH | HI | | 1 |
| Rinse 3 | 2 | CH | HI | | |
| Rinse 4 | | | | | |
| Rinse 5 | | | | | |
| Final Rinse | 4 | CH | LO | 4 (Sour/Softener) | 4 |

Cycle 14 Towels (Health Care)

| Bath | Bath Cycle Time (min.) | Water Temp. | Water Level | Injection Source | Spin Time (min.) |
|-------------|------------------------|-------------|-------------|-------------------|------------------|
| Flush | 3 | CH | HI | | |
| Prewash | 2 | CH | HI | | |
| Wash | 7 | HH | LO | 1 (Detergent) | |
| Rinse 1 | 1 | HH | HI | | |
| Rinse 2 | 7 | HH | LO | 2 (Bleach) | |
| Rinse 3 | 2 | CH | HI | | 1 |
| Rinse 4 | 2 | CH | HI | | |
| Rinse 5 | | | | | |
| Final Rinse | 4 | CH | LO | 4 (Sour/Softener) | 5 |

Cycle 15 Diapers (Health Care)

| Bath | Bath Cycle Time (min.) | Water Temp. | Water Level | Injection Source | Spin Time (min.) |
|-------------|------------------------|-------------|-------------|-------------------|------------------|
| Flush | 3 | CH | HI | | |
| Prewash | 2 | CH | HI | | |
| Wash | 2 | CH | HI | | |
| Rinse 1 | 7 | HH | LO | 1 (Detergent) | |
| Rinse 2 | 2 | HH | HI | | |
| Rinse 3 | 7 | HH | LO | 2 (Bleach) | |
| Rinse 4 | 2 | CH | HI | | 1 |
| Rinse 5 | 2 | CH | HI | | |
| Final Rinse | 4 | CH | LO | 4 (Sour/Softener) | 4 |

Cycle 16 Personals (Health Care)

| Bath | Bath Cycle Time (min.) | Water Temp. | Water Level | Injection Source | Spin Time (min.) |
|-------------|------------------------|-------------|-------------|----------------------|------------------|
| Flush | 3 | CH | HI | | |
| Prewash | | | | | |
| Wash | 7 | HH | LO | 5 (Detergent/Bleach) | |
| Rinse 1 | 2 | HH | HI | | |
| Rinse 2 | 2 | CH | HI | | |
| Rinse 3 | 2 | CH | HI | | |
| Rinse 4 | | | | | |
| Rinse 5 | | | | | |
| Final Rinse | 4 | CH | LO | 4 (Sour/Softener) | 4 |

Cycle 17 Delicate (Health Care)

| Bath | Bath Cycle Time (min.) | Water Temp. | Water Level | Injection Source | Spin Time (min.) |
|-------------|------------------------|-------------|-------------|----------------------|------------------|
| Flush | 2 | CH | HI | | |
| Prewash | | | | | |
| Wash | 7 | CH | HI | 5 (Detergent/Bleach) | |
| Rinse 1 | 2 | CH | HI | | |
| Rinse 2 | 2 | CH | HI | | |
| Rinse 3 | 2 | CH | HI | | |
| Rinse 4 | | | | | |
| Rinse 5 | | | | | |
| Final Rinse | 4 | CH | HI | 4 (Sour/Softener) | 3 |

Cycle 18 White Cotton Table Linen (Food & Beverage)

| Bath | Bath Cycle Time (min.) | Water Temp. | Water Level | Injection Source | Spin Time (min.) |
|-------------|------------------------|-------------|-------------|------------------|------------------|
| Flush | 2 | CH | HI | | |
| Prewash | | | | | |
| Wash | 10 | HH | LO | 1 (Detergent) | |
| Rinse 1 | 2 | HH | HI | | |
| Rinse 2 | 7 | HH | LO | 2 (Bleach) | |
| Rinse 3 | 2 | CH | HI | | 1 |
| Rinse 4 | 2 | CH | HI | | |
| Rinse 5 | | | | | |
| Final Rinse | 4 | CH | LO | 6 (Sour/Starch) | 4 |

Cycle 19 Colored Cotton Table Linen (Food & Beverage)

| Bath | Bath Cycle Time (min.) | Water Temp. | Water Level | Injection Source | Spin Time (min.) |
|-------------|------------------------|-------------|-------------|------------------|------------------|
| Flush | 2 | CH | HI | | |
| Prewash | | | | | |
| Wash | 10 | HH | LO | 1 (Detergent) | |
| Rinse 1 | 7 | HH | LO | 2 (Bleach) | |
| Rinse 2 | 2 | CH | HI | | 1 |
| Rinse 3 | 2 | CH | HI | | |
| Rinse 4 | | | | | |
| Rinse 5 | | | | | |
| Final Rinse | 4 | CH | LO | 6 (Sour/Starch) | 4 |

Cycle 20 White 100% Polyester Table Linen (Food & Beverage)

| Bath | Bath Cycle Time (min.) | Water Temp. | Water Level | Injection Source | Spin Time (min.) |
|-------------|------------------------|-------------|-------------|------------------|------------------|
| Flush | 2 | CH | HI | | |
| Prewash | | | | | |
| Wash | 10 | HH | LO | 1 (Detergent) | |
| Rinse 1 | 2 | HH | HI | | |
| Rinse 2 | 7 | HH | LO | 2 (Bleach) | |
| Rinse 3 | 2 | CH | HI | | |
| Rinse 4 | 2 | CH | HI | | |
| Rinse 5 | | | | | |
| Final Rinse | 4 | CH | LO | 6 (Sour/Starch) | 4 |

Cycle 21 Colored 100% Polyester Table Linen (Food & Beverage)

| Bath | Bath Cycle Time (min.) | Water Temp. | Water Level | Injection Source | Spin Time (min.) |
|-------------|------------------------|-------------|-------------|------------------|------------------|
| Flush | 2 | CH | HI | | |
| Prewash | | | | | |
| Wash | 10 | HH | LO | 1 (Detergent) | |
| Rinse 1 | 7 | HH | LO | 2 (Bleach) | |
| Rinse 2 | 2 | CH | HI | | |
| Rinse 3 | 2 | CH | HI | | |
| Rinse 4 | | | | | |
| Rinse 5 | | | | | |
| Final Rinse | 4 | CH | LO | 6 (Sour/Starch) | 4 |

Cycle 22 White Chef Coats (Food & Beverage)

| Bath | Bath Cycle Time (min.) | Water Temp. | Water Level | Injection Source | Spin Time (min.) |
|-------------|------------------------|-------------|-------------|------------------|------------------|
| Flush | 5 | HH | LO | 1 (Detergent) | |
| Prewash | 1 | HH | HI | | |
| Wash | 8 | HH | LO | 1 (Detergent) | |
| Rinse 1 | 2 | HH | HI | | |
| Rinse 2 | 7 | HH | LO | 2 (Bleach) | |
| Rinse 3 | 2 | CH | HI | | 1 |
| Rinse 4 | 2 | CH | HI | | |
| Rinse 5 | | | | | |
| Final Rinse | 4 | CH | LO | 4 (Sour) | 4 |

Cycle 23 Kitchen and Maintenance Rags (Food & Beverage)

| Bath | Bath Cycle Time (min.) | Water Temp. | Water Level | Injection Source | Spin Time (min.) |
|-------------|------------------------|-------------|-------------|------------------|------------------|
| Flush | 5 | HH | LO | 1 (Detergent) | |
| Prewash | 2 | HH | HI | | |
| Wash | 8 | HH | LO | 1 (Detergent) | |
| Rinse 1 | 2 | HH | HI | | 1 |
| Rinse 2 | 7 | HH | LO | 2 (Bleach) | |
| Rinse 3 | 2 | CH | HI | | 1 |
| Rinse 4 | | | | | |
| Rinse 5 | | | | | |
| Final Rinse | 2 | CH | HI | | 5 |

Cycle 24 White/Colored (Cotton/Blend) Table Linen (Food & Beverage)

| Bath | Bath Cycle Time (min.) | Water Temp. | Water Level | Injection Source | Spin Time (min.) |
|-------------|------------------------|-------------|-------------|----------------------|------------------|
| Flush | 2 | CH | HI | | |
| Prewash | | | | | |
| Wash | 10 | HH | LO | 5 (Detergent/Bleach) | |
| Rinse 1 | 1 | HH | HI | | |
| Rinse 2 | 2 | HH | HI | | 1 |
| Rinse 3 | 2 | CH | HI | | |
| Rinse 4 | 2 | CH | HI | | |
| Rinse 5 | | | | | |
| Final Rinse | 4 | CH | LO | 6 (Sour/Starch) | 4 |

Cycle 25 White/Colored 100% Polyester Table Linen (Food & Beverage)

| Bath | Bath Cycle Time (min.) | Water Temp. | Water Level | Injection Source | Spin Time (min.) |
|-------------|------------------------|-------------|-------------|----------------------|------------------|
| Flush | 2 | CH | HI | | |
| Prewash | | | | | |
| Wash | 10 | HH | LO | 5 (Detergent/Bleach) | |
| Rinse 1 | 1 | HH | HI | | |
| Rinse 2 | 2 | HH | LO | | |
| Rinse 3 | 2 | CH | HI | | |
| Rinse 4 | 2 | CH | HI | | |
| Rinse 5 | | | | | |
| Final Rinse | 4 | CH | LO | 6 (Sour/Starch) | 4 |

Cycle 26 White Chef Coats (Food & Beverage)

| Bath | Bath Cycle Time (min.) | Water Temp. | Water Level | Injection Source | Spin Time (min.) |
|-------------|------------------------|-------------|-------------|----------------------|------------------|
| Flush | 5 | HH | LO | 1 (Detergent) | |
| Prewash | 1 | HH | HI | | |
| Wash | 10 | HH | LO | 5 (Detergent/Bleach) | |
| Rinse 1 | 2 | HH | HI | | |
| Rinse 2 | 2 | CH | HI | | 1 |
| Rinse 3 | 2 | CH | HI | | |
| Rinse 4 | | | | | |
| Rinse 5 | | | | | |
| Final Rinse | 4 | CH | HI | 4 (Sour/Softener) | 4 |

Cycle 27 Kitchen Rags (Food & Beverage)

| Bath | Bath Cycle Time (min.) | Water Temp. | Water Level | Injection Source | Spin Time (min.) |
|-------------|------------------------|-------------|-------------|----------------------|------------------|
| Flush | 5 | HH | LO | 1 (Detergent) | |
| Prewash | 2 | HH | HI | | |
| Wash | 10 | HH | LO | 5 (Detergent/Bleach) | |
| Rinse 1 | 1 | HH | HI | | |
| Rinse 2 | 2 | HH | HI | | 1 |
| Rinse 3 | 2 | CH | HI | | |
| Rinse 4 | | | | | |
| Rinse 5 | | | | | |
| Final Rinse | 2 | CH | HI | | 5 |

Cycle 28 Oxygen Bleach Terry (Other)

| Bath | Bath Cycle Time (min.) | Water Temp. | Water Level | Injection Source | Spin Time (min.) |
|-------------|------------------------|-------------|-------------|----------------------|------------------|
| Flush | 3 | CH | HI | | |
| Prewash | 2 | CH | HI | | |
| Wash | 10 | HH | LO | 5 (Detergent/Bleach) | |
| Rinse 1 | 2 | HH | HI | | |
| Rinse 2 | 2 | CH | HI | | 1 |
| Rinse 3 | 2 | CH | HI | | |
| Rinse 4 | | | | | |
| Rinse 5 | | | | | |
| Final Rinse | 4 | CH | LO | 4 (Sour/Softener) | 3 |

Cycle 29 Oxygen Bleach Terry - No Iron (Other)

| Bath | Bath Cycle Time (min.) | Water Temp. | Water Level | Injection Source | Spin Time (min.) |
|-------------|------------------------|-------------|-------------|----------------------|------------------|
| Flush | 3 | CH | HI | | |
| Prewash | 2 | CH | HI | | |
| Wash | 10 | HH | LO | 5 (Detergent/Bleach) | |
| Rinse 1 | 2 | HH | HI | | |
| Rinse 2 | 2 | CH | HI | | 1 |
| Rinse 3 | 2 | CH | HI | | |
| Rinse 4 | | | | | |
| Rinse 5 | | | | | |
| Final Rinse | 4 | CH | LO | 4 (Sour/Softener) | 5 |

Cycle 30 Pressure Switch and Injection Signals (Test)

| Bath | Bath Cycle Time (min.) | Water Temp. | Water Level | Injection Source | Spin Time (min.) |
|-------------|------------------------|-------------|-------------|-------------------|------------------|
| Flush | 2 | CH | LO | 1 (Detergent) | |
| Prewash | | | | | |
| Wash | 7 | HH | HI | 2 (Bleach) | |
| Rinse 1 | 2 | CH | HI | 3 (Starch) | |
| Rinse 2 | 2 | CH | HI | 4 (Sour/Softener) | |
| Rinse 3 | 2 | CH | HI | | |
| Rinse 4 | | | | | |
| Rinse 5 | | | | | |
| Final Rinse | 4 | CC | HI | | 3 |

Cycle _____ **Description** _____

| Bath | Bath Cycle Time (min.) | Water Temp. | Water Level | Injection Source | Spin Time (min.) |
|-------------|------------------------|-------------|-------------|------------------|------------------|
| Flush | | | | | |
| Prewash | | | | | |
| Wash | | | | | |
| Rinse 1 | | | | | |
| Rinse 2 | | | | | |
| Rinse 3 | | | | | |
| Rinse 4 | | | | | |
| Rinse 5 | | | | | |
| Final Rinse | | | | | |

Cycle _____ **Description** _____

| Bath | Bath Cycle Time (min.) | Water Temp. | Water Level | Injection Source | Spin Time (min.) |
|-------------|------------------------|-------------|-------------|------------------|------------------|
| Flush | | | | | |
| Prewash | | | | | |
| Wash | | | | | |
| Rinse 1 | | | | | |
| Rinse 2 | | | | | |
| Rinse 3 | | | | | |
| Rinse 4 | | | | | |
| Rinse 5 | | | | | |
| Final Rinse | | | | | |

Cycle _____ **Description** _____

| Bath | Bath Cycle Time (min.) | Water Temp. | Water Level | Injection Source | Spin Time (min.) |
|-------------|------------------------|-------------|-------------|------------------|------------------|
| Flush | | | | | |
| Prewash | | | | | |
| Wash | | | | | |
| Rinse 1 | | | | | |
| Rinse 2 | | | | | |
| Rinse 3 | | | | | |
| Rinse 4 | | | | | |
| Rinse 5 | | | | | |
| Final Rinse | | | | | |

3.4 RAPID ADVANCE MODE

Rapid Advance mode is a key-controlled override to interrupt the current cycle, drain the water, and advance to the next mode of the wash cycle, including Pre Wash, Wash, Rinse 1, Rinse 2, Rinse 3, Rinse 4, Rinse 5, and Final Rinse. The indicator lights will show to which segment the cycle has been advanced.

To enter the Rapid Advance mode, insert the key into the Rapid Advance/Run/Program lock and turn the key counter-clockwise (CCW). The Rapid Advance mode must be entered during a cycle. If the cycle has not yet started, press the "DOWN" button or the "UP" button to choose a cycle and then the "START" button to begin the cycle.

To advance to the next step in the cycle, press both the "UP" and "START" buttons at the same time. The display will show "Ad" (advance).

If advancing during a bath, all water valves will turn off and the drain will open until the "open drain" step is completed. The cycle will then continue to the next bath or to the spin of the current bath if the programming includes spin time.

If advancing during a chemical injection of a bath or after a chemical injection of the bath but before the low water level is reached, the injector will turn off and the hot and the cold water valves to the tub will turn on until the low water level is reached or for 30 seconds, whichever comes first. Then the drain will open and proceed to the next step after the "open drain" step is completed.

If advancing before a chemical injection of the bath, the drain will open immediately and the cycle will proceed to the next step when the "open drain" step is completed.

If advancing during a spin, the tumbler will begin to decelerate immediately. However, the cycle may proceed to the next bath before the tumbler comes to a complete stop. The cycle cannot be advanced further while the tumbler is decelerating.

If a temperature PCB is installed in the I/O PCB and the temperature programmed from 20°C to 90°C, advancing will turn off the heater relay or steam valve immediately, if either is on, and open the drain after a three second delay. If the display shows a water temperature from 65°C to 90°C (may be displayed by pressing the "DOWN" and "START" buttons together), the drain will close again when the washer indicates empty and the hot and the cold water valves to the tub will turn on until the low water level is reached. The cycle will then continue to the next bath, or if programmed, to the spin of the current bath.

To exit the Rapid Advance mode during the cycle, turn the key to "RUN". The cycle will continue normally.

Notes:

- The cycle cannot be advanced during the "open drain" step of the baths.
- The cycle cannot be advanced when the hot and cold water valves to the tub are on after advancing during or after a chemical injection.
- The cycle cannot be advanced again while the hot and cold water valves to the tub are on after advancing when the water temperature was 65°C to 90°C.
- The Rapid Advance mode may only be entered after a cycle is started.
- The Rapid Advance mode cannot skip the final three tumbles of the cycle. The door lock may remain activated for a couple minutes after the cycle has been completed.
- The chemical injection signals will not turn on if the Rapid Advance mode is entered before the injection.

To end the cycle without waiting for the time to count down, press and hold the "STOP" button for 5 seconds or more. The display will then show the cycle number and be ready to start the cycle.

3.5 DIAGNOSTIC TEST CYCLE

There is a diagnostic test cycle to assist in both verifying correct operation of the washer and identifying functional problems with the machine.

The diagnostic program, cycle #31, is an individual function test. This program tests most of the functions of the machine including water valves, drive system, door lock, etc.

Two important notes about the diagnostic cycle:

- Cycle Terminate: At any time during the diagnostic cycle, pressing and holding the stop button for a minimum of 3 seconds terminates washer activities and clears the cycle.
- Injection Signals: The injection signals are not tested during the diagnostic cycle.

Cycle 31 Sequence - Short individual function test

3.5.1 Close the washer door.

3.5.2 Turn the control key to the "PROGRAM" mode.

The "PROGRAM MODE" LED will illuminate.

3.5.3 Select Test Cycle 31.

Pressing the "UP" and "DOWN" buttons, scroll through the cycles

until the display reads "31".

3.5.4 Press "START".

All lights will be on and "00" will be in the display.

From this point, the operator must observe the functions of the washer with the washer top panel removed to ensure correct operation. Each step in this test will turn on an output on the I/O interface assembly, and the corresponding red LED on the I/O interface assembly will light. The outputs are clearly marked.

3.5.5 Press the "UP" button.

The display will show "01".

For each number in the test, the function will be active when the "START" button is pressed and will be inactive when the "START" button is released. Press the "UP" button to move from one function to the next.

The sequence of operation for the diagnostic cycle is explained below:

Step 01: Door Lock Mechanism (Door Sol. #3 red LED and Green input LEDs #4 and #5 will be lit.)

Step 02: Door Locking Thermoactuator (Lock Thermo #2 red LED will be lit.)

Step 03: Door Unlocking Thermoactuator (Unlock Thermo #1 red LED will be lit.)

Step 04: Close Drain Valve (Drain Valve #4 red LED will be lit.)

Step 05: Cold Water Valve for the tub (Cold Tub #7 red LED will be lit.) The pressure switch low level setting can be tested at this point. The drain valve is closed and cold water is on for as long as the "START" button is pressed. When the water level reaches a low level, the water valve will turn off and no additional cold water can be added. Green input LED #13 should now be lit.

Step 06: Cold Water Valve for the dispenser (Cold Dispenser #6 red LED will be lit.) For models with electric heat only, this provides power to the heat relay, however the heat relay will not energize due to low level safety relay. The pressure switch low level setting can also be tested with this step. See Step 05 for additional details.

Step 07: Hot Water Valve for the tub (Hot Tub #5 red LED will be lit.) The pressure switch high level setting can be tested at this point. The drain valve is closed and hot water on for as long as the "START" button is pressed. When the water level reaches a high level, the water valve will turn off and no additional hot water can be added. Green input LED #15 should now be lit.

Step 08: Hot Water Valve for the dispenser (Hot Dispenser #8 red LED will be lit.) The pressure switch high level setting can also be tested with this step. See Step 07 for additional details.

Step 09: Tumble clockwise (FWD. #13 red LED will be lit)

Step 10: Tumble counter clockwise (REV. #14 LED will be lit)

Step 11: Open Drain Valve (ensures that drain valve is open before spin)

Step 12: Intermediate Extract (Rev. #13 and Speed 1 #15 red LEDs will be lit.)

Step 13: High Speed Extract (Rev. #13, Speed 1 #15, and Speed 2 #16 red LEDs will be lit.)

IMPORTANT:

Do not use step 14 if you have customized any wash cycles as this will reset the cycles back to the factory default settings. Step 14 will delete any changes made to all 30 cycles.

Step 14: Reset all 30 cycles to Factory Settings. Press and hold "START" and press "UP". This will reset the 30 preset cycles back to the factory settings.

Step 15: Calibrate temperature control board (MODELS WITH ELECTRIC HEAT ONLY). Move cal/run switch on temperature control board to the calibrate position. Adjust calibration screw so display shows 98.

To end the Test at any time, press "STOP" and the machine will return to the programming mode with cycle 31 displayed.

To exit the Test mode, turn the "Advance/Run/Program" Key back to the "RUN" position.

4 TROUBLESHOOTING

CAUTION: Label all wires prior to disconnection when servicing controls. Wiring errors can cause improper and dangerous operation. Verify proper operation after servicing.

ATTENTION: Lors des opérations d'entretien des commandes, étiqueter tous les fils avant de les déconnecter. Toute erreur de câblage peut être une source de danger et de panne.

If any of the following symptoms occur on this washer, check the suggested remedies listed below. If all probable causes have been eliminated and the symptom still exists, contact your local Dexter agent for further troubleshooting assistance. See contact information at the end of this manual. Parts & Service Manuals from Dexter are also available for further troubleshooting assistance.

| Symptom | Probable Cause | Suggested Remedy |
|----------------------------------|---|---|
| Machine does not start | Power Supply | Check these areas: Circuit breakers, Voltage, Power leads, Power connections. Is front display LED lit? |
| | "START" button | Check for green start button light on Input/Output PCB #6 when button is pressed. If no light, check membrane switch assembly and ribbon cable. |
| | Door Switch | Check for continuity through door switches when door is closed and locked. Check Input/Output PCB for green door closed light #4 and green door locked light #3 showing that door switches are functioning correctly. If no continuity or green light on when door closed and start button pressed, check door switch and wiring assembly. |
| | Control Breaker or Fuse | Check 1.5 amp (T-950, T-1200, T-1450 use 2.5amp) breaker or fuse for continuity. If no continuity, replace breaker or fuse. |
| | Control Transformer | Check voltage output from control transformer for 120VAC. If voltage is incorrect, replace transformer. |
| | Check PCB board | Check all wire connections for sure contacts. |
| | CPU board | Single red light should be illuminated. If light is flashing or not on, remove power from washer for 2 minutes to reset board. Reapply power to washer and check red light. If on solid, all okay. If still flashing or not on, replace CPU board. |
| | Check Relay PCB | Check all wire connections for sure contact. |
| | Check Door Lock Mechanism | Check that 120VAC power is at mechanism after start button is pressed. |
| Machine starts then stops | Door switch assembly | I/O PCB must have green input lights: DOOR LOCK #3, DOOR CLOSED #4, TUB EMPTY #14, RUN KEY #1. START #1 will be on when pressed. If these are not on, check door switches and wiring to/from control panel. |
| | Door locking mechanism | Check if I/O PCB red output light DOOR SOL. #3 is on. Check that 120VAC power is at mechanism. Is the linkage rod adjusted properly? |
| Door does not lock | CPU Board, Ribbon Cable or Input/Output Board | Check Input/Output PCB for green input door closed light #4 and green input door locked light. DOOR SOL. #3 light should be illuminated. If light is flashing or not on, remove power from washer for 2 minutes to reset CPU. Reapply power to washer and check red CPU light. If on solid, CPU is okay. If still flashing or not on, replace CPU board. If CPU tests okay, change Ribbon Cables between CPU and Input/Output PCB. (Check with Dexter Support for latest testing procedures for I/O PCB.) If no voltage, replace I/O PCB. |
| | Door lock motor | Check to ensure that door lock motor is receiving 120VAC from Input/Output PCB. Is I/O PCB red output light #3 on? If 120VAC and output light is lit, replace door lock motor. |
| | Door Switch | Check for continuity through door latch switch when door closed. If no continuity, adjust or replace door switch. |

| | | |
|---|--|--|
| Door will not open | Thermoactuator | Check to see if thermoactuator(s) and/or its mechanism are stuck or binding and not allowing the door lock motor to open. Check to be sure that red light on Input/Output PCB for locking thermoactuator is not illuminated and that Input/Output PCB is not sending 120VAC power to the locking thermoactuator during the last 70 seconds of the cycle. Check to be sure that red light on Input/Output PCB for unlocking thermoactuator #1 is illuminated and that Input/Output PCB is sending 120VAC to the unlocking thermoactuator during the last 30 seconds of the cycle. |
| | Door Rod | Check to see that door rod from mechanism to lock assembly is long enough to allow lock assembly to disengage. If not, adjust rod. |
| | Door locking mechanism | Check that door lock mechanism is not stuck closed. Check to be sure that Input/Output PCB is not sending 120VAC power to door locking motor. Be sure that red light on Input/Output PCB for DOOR SOL #3 is not illuminated. If door lock motor is receiving 120VAC, check CPU, Ribbon Cable and Input/Output PCB above. |
| | CPU Board, Ribbon Cable or Input/Output Board | Check red DOOR SOL #3 light on input/output board. If illuminated, remove power to washer for 2 minutes to reset CPU board. Reapply power to washer and check red DOOR SOL #3 light. If no light, okay. If red light is still on, check the CPU board as described above under "Door does not lock". If CPU tests okay, change Ribbon Cables between CPU and input/output board. If red door DOOR SOL #3 light on input/output board is illuminated, check that 120VAC is going from the input/output board to the door locking solenoid. If no voltage, replace I/O PCB. |
| Machine starts but will not advance in the cycle | Water valves | Check to ensure that water valves are operating. If not, check to be sure that red light on Input/Output PCB for water valves is illuminated (#5, #6, #7, #8) and that input/output board is sending 120VAC to the water valve. If 120VAC, change water valve. If no voltage, check Input/Output PCB. |
| | Drain valve | Check to ensure that drain valve is closing. If not, check for 120VAC to drain valve from Input/Output PCB red light #4. If 120VAC, change or clean drain valve. If no voltage, check CPU board, ribbon cable and I/O PCB. |
| | Fill hose or Water valve screens | Check all screens for obstructions and clean. |
| | Water | Check to ensure that water is turned on and operating. |
| | Pressure Switch Hose | Check hose for holes. Be sure the inlet end of the large part of the hose is lower than the rest of the hose and is free of debris. |
| | Pressure switch | Pressure switch must be in the low or high position to close the circuit to the input/output board. Either the green low level or high level light on the input/output board must be lighted. Check pressure switch continuity between terminals #31 & #22 for low level and #31 and #32 for high level. |
| | CPU Board, Ribbon Cable, or input/output board | Check if Input/Output PCB for red output LEDs will not light for water valve and drain valve (#4,5,6,7,8). If no output lights illuminated, check single red light on CPU board. Single red light should be illuminated. If light is flashing or not on, remove power from washer for 2 minutes to reset board. Reapply power to washer and check red CPU light. If on solid, CPU okay. If still flashing or not on, replace CPU board. If CPU tests okay, change Ribbon Cables between CPU and input/output board. Check GREEN input LED #14 tub empty has lit in a drain mode of formula. Make sure Green input LEDs #13 or #14 are lit if Fill portion of formula is being called for. If red drain valve or water valve output light on Input/Output PCB is lit, check to ensure that 120VAC is going from the Input/Output PCB to the drain valve or water valve. If no voltage, replace I/O PCB. |

| | | |
|--|--|---|
| Machine starts and advances through cycle, but motor does not operate | Variable Frequency Drive and Motor | <p>Check small green, blue, orange, black, white, red wires (shielded cable) from the VFD to ensure a good connection at each termination point at drive or at relays and including all mox connectors.</p> <ol style="list-style-type: none"> 1. Disconnect power to washer for 2 minutes to reset motor drive. 2. Check incoming power to washer for correct voltage. Line voltage out of the specified operating range will cause the drive to fault, lighting the red light. 3. Check motor. Disconnect from power. Disconnect the three wires that operate the motor from terminals T-1, T-2, T-3 in the drive. Reconnect power to the washer. |
| | CPU board, Ribbon Cable Input/Output PCB | <p>Check Input/Output PCB for illuminated red motor output lights. If no red output lights illuminated, check single red light on CPU board. Single red light should be illuminated. If light is flashing or not on, remove power from washer for 2 minutes to reset board.</p> <p>Reapply power to washer and check red CPU light. If on solid, CPU okay. If still flashing or not on, replace CPU board. If CPU tests okay, change Ribbon Cables between CPU and Input/Output PCB. (Check with factory for latest testing procedures for I/O PCB.) If red motor output lights on Input/Output PCB are illuminated, check to ensure that 0VDC is going from the input/output board to the variable frequency drive. If no voltage, replace I/O PCB.</p> |
| | Run Relay | <p>Check to see if there is 12VDC to relay coil. If not, check I/O PCB for 12VDC output. Check if 0VDC through contacts (white wire) to I/O PCB.</p> |
| Machine washes but does not give intermediate spin | Pressure Switch | <p>Pressure switch must be in the empty position to does not give close the circuit to the Input/Output PCB. The intermediate spin green input tub empty light #14 on the Input/Output PCB must be lighted. Check pressure switch for continuity across terminals indicating pressure switch has reset to empty.</p> |
| | Variable Frequency Drive | <p>Check Variable Frequency Drive. Check all wires on drive to ensure a good connection. Check LED display at VFD before powering down</p> <ol style="list-style-type: none"> 1) Disconnect power to washer for 2 minutes to reset motor drive. Reconnect to power and check for LED display on VFD. 2) Check incoming power to washer for correct voltage. Line voltage out of the specified operating range will cause the drive to fault. |
| | CPU board, Ribbon Cable Input/Output PCB | <p>Check Input/Output PCB for illuminated red output light for intermediate spin #15 and #14 for reverse. If no red output light illuminated, check single red light on CPU board. Single red light should be illuminated. If light is flashing or not on, remove power from washer for 2 minutes to reset board. Reapply power to washer and check red CPU light. If on solid, CPU okay. If still flashing or not on, replace CPU board. If CPU tests okay, change Ribbon Cables between CPU and Input/Output PCB. (Check with factory for latest testing procedures for I/O PCB) If red intermediate spin output light # 15 on the Input/Output PCB is illuminated, check to ensure that 0VDC is going from the Input/Output PCB to the variable frequency drive. If no voltage, replace I/O PCB.</p> |
| Intermediate speed #1 works, but no high speed #2 | Variable Frequency Drive and Motor | <p>Check small green, black, white wires (shielded cable) from the VFD to ensure a good connection at each termination point at drive or at relays and including all mox connectors. Check that green hi speed wire at drive terminal is giving a 0VDC reading between white and green and assure that signal is getting to drive.</p> <ol style="list-style-type: none"> 1. Disconnect power to washer for 2 minutes to reset motor drive. 2. Reconnect to power and check for run light. Run--okay. 3. Check incoming power to washer for correct voltage. Line voltage out of the specified operating range will cause the drive to fault. 4. Check motor. Disconnect from power. Disconnect the three gray wires that operate the motor from terminals T-1, T-2, and T-3 in the drive. 5. Reconnect power to the washer. |

| | | |
|--|---|--|
| Intermediate speed #1 works, but no high speed #2 (continued) | CPU board, Ribbon Cable Input/Output PCB | Check input/output PCB for illuminated red speed 1 #15 and high speed 2 #16 output lights. If no red output lights illuminated, check single red light on CPU. Single red light should be illuminated. If light is flashing or not on, remove power from washer for 2 minutes to reset board. Reapply power to washer and check red CPU light. If on solid, CPU okay. If still flashing or not on, replace CPU. If CPU tests okay, change Ribbon Cables between CPU and input/output PCB. (Check with factory for latest testing procedures for I/O PCB.) If red intermediate and high extract output lights on input/output board are illuminated, check to ensure that 0VDC is going from the Input/Output PCB to the variable frequency drive. If no voltage, replace I/O PCB. |
| Machine tumbles in only one direction | Variable Frequency Drive | Check blue and orange wires on variable frequency drive for alternating 0V to 24 VDC for forward and reverse direction from the Input/Output PCB. If no voltage, see CPU board, Ribbon Cable or Input/Output PCB below. Be sure to check wire connections at drive. |
| | CPU Board, Ribbon Cable, or input/output board | Check Input/Output PCB for alternating or Input/Output PCB red output lights for forward #13 and reverse #14. If no red output lights illuminated, check single red light on CPU board. Single red light should be illuminated. If light is flashing or not on, remove power from washer for 2 minutes to reset board. Reapply power to washer and check red CPU light. If on solid, CPU okay. If still flashing or not on, replace CPU board. If CPU tests okay, change Ribbon Cables between CPU and Input/Output PCB. If red forward #13 and reverse #14 output lights on the Input/Output PCB are illuminated, check to ensure that 0VDC is going from the Input/Output PCB to the variable frequency drive (only when the lights are on). When lights are off, check to ensure that 24VDC is going from the Input/Output PCB to the variable frequency drive. If neither voltage is correct, replace I/O PCB. |
| Excessive vibration | Mounting System | Check these areas: <ul style="list-style-type: none"> • Strength of mounting structure, concrete or base. • Mounting bolts may be loose and need tightening. |
| | Drive Belt | Worn drive belt can cause vibration and noise. |
| | Pulleys | Check for damaged pulleys. |
| | Under loading | Wash recommended load size as specified for washer model (in lb/kg). Small loads contribute to out of balance loading and increase vibration. |
| Hot or Cold water does not enter the tub | Water Valves | Check to ensure that water valve is operating. If not, check for 120VAC to water valve from Input/Output PCB. If 120VAC, change water valve. If no voltage, check Input/Output PCB as described below. |
| | Fill Hose or Water Valve screens | Check water inlet screens for blockage and clean if necessary. |
| | Water | Check to ensure that water is turned on and operating. |
| | Pressure Switch Hose | Check hose for holes. Be sure the inlet end of the large part of the hose is lower than the rest of the hose and is free of debris. |
| | Pressure Switch | Pressure switch must be in the empty position to close the circuit to the Input/Output PCB. The green Empty light #14 on the Input/Output PCB must be lighted. Check pressure switch for continuity across terminals #31 & #22 indicating pressure switch has reset to empty. |
| | CPU board, Ribbon Cable Input/Output PCB | Check Input/Output PCB for illuminated red water or Input/Output PCB valve output light. If no red output light #5 (for Hot) or #7 (for Cold) illuminated, check single red light on CPU board. Single red light should be illuminated. If light is flashing or not on, remove power from washer for 2 minutes to reset board. Reapply power to washer and check red CPU light. If on solid, CPU okay. If still flashing or not on, replace CPU board. If CPU tests okay, change Ribbon Cables between CPU and Input/Output PCB. If red water valve output light #5 (for Hot) or #7 (for Cold) on input/output PCB is illuminated, check to ensure that 120VAC is going from the Input/Output PCB to the water valve. If no voltage, replace I/O PCB. |

| | | |
|--|--|---|
| No hot water in detergent dispenser | Water valves | Check to ensure that water valve is operating. If not, check for 120VAC to water valve from Input/Output PCB. If 120VAC, change water valve. If no voltage check Input/Output PCB. |
| | Fill hose or Water valve screens | Check water inlet screens for blockage and clean screens if necessary. |
| | Water | Check to ensure that water is turned on and operating. |
| | CPU board, Ribbon Cable Input/Output PCB | Check Input/Output PCB for illuminated red or Input/Output PCB water valve output light. If red output light #8 is not illuminated, check single red light on CPU board. Single red light should be illuminated. If light is flashing or not on, remove power from washer for 2 minutes to reset board. Reapply power to washer and check red CPU light. If on solid, CPU okay. If still flashing or not on, replace CPU board. If CPU tests okay, change Ribbon Cables between CPU and Input/Output PCB. If red water valve output light #8 on input/output PCB is illuminated, check to ensure that 120VAC is going from the Input/Output PCB to the water valve. If no voltage, replace I/O PCB. |
| Water does not flush softener compartment | Water Valves | Check to ensure that water valve is operating. If not, check for 120VAC to water valve from Input/Output PCB. If 120VAC, change water valve. If no voltage check Input/Output PCB. |
| | Fill hose or Water valve screens | Check all screens for obstructions and clean. |
| | Water | Check to ensure that water is turned on and operating. |
| Water comes in but level does not rise | Drain Valve | Check these areas: <ul style="list-style-type: none"> • Drain valve blockage • Drain valve motor and gear train. If power but drain valve does not close, replace valve. • Power to the drain valve. If no power to drain valve, check (brown/yellow) circuit for power. |
| | Water Valves | Check or replace water valve diaphragms. |
| Water level too high | Pressure Switch | Pressure switch must be in the low or high position to close the circuit to the Input/Output PCB. Either the green low level #13 or high level light #15 on the Input/Output PCB must be lighted. Check pressure switch continuity between terminals #31 & #22 for low level and #31 and #32 for high level. |
| | Pressure Switch Hose | Check hose for holes. Be sure the inlet end of the large part of the hose is lower than the rest of the hose and is free of debris. |
| | CPU board, Ribbon Cable Input/Output PCB | Check Input/Output PCB for illuminated green low #13 or high level input light #15. If green input light is illuminated, check single red light on CPU board. Single red light should be illuminated. If light is flashing or not on, remove power from washer for 2 minutes to reset board. Reapply power to washer and check red CPU light. If on solid, CPU okay. If still flashing or not on, replace CPU board. If CPU tests okay, change Ribbon Cables between CPU and Input/Output PCB. (Check with factory for latest testing procedures for I/O PCB.) If still not corrected, change Input/Output PCB. |
| Water drains slowly | Drain System | Check hoses and drain valve for blockage. Clean if necessary. Check building drains for blockage or inadequate size. |
| Water leakage around loading door | Door Adjustment | Door may need adjustment due to abuse or wear. Check tightness around perimeter using a dollar bill. Adjust left to right tightness by shims at door lock or hinge side. It is important to center gasket to tub opening before tightening door to hinge bolts. Chalk may be used on tub front to show point of contact with tub. If gasket is deformed, worn, or damaged, replace. |

IMPORTANT

TRANSIENT VOLTAGE SURGE SUPPRESSORS

Like most electrical equipment your new machine can be damaged or have its life shortened by voltage surges due to lightning strikes which are not covered by factory warranty. Local power distribution problems also can be detrimental to the life of electrical components. We recommend the installation of transient voltage surge suppressors for your new equipment. These devices may be placed at the power supply panel for the complete installation and don't require an individual device for each machine.

These surge protectors help to protect equipment from large spikes and also from small ongoing spikes in the power that occur on a day to day basis. These smaller surges can shorten overall life of electrical components of all types and cause their failure at a later date. Although they can't protect against all events, these protective devices have a good reputation for significantly lengthening the useful life of electronic components. Electronic components are helped to have a longer useful life when they are supplied with the clean stable electrical power they like.

We are including the following names and phone numbers of a few suppliers of these devices for those who don't currently have a source.

| <u>MANUFACTURER</u> | <u>CONTACT</u> | <u>PHONE</u> |
|---|----------------|---|
| Innovative Technology, Inc (Part of Eaton Corporation) | Distributor | 1-800-809-2772 or www.itvss.com |
| EFI Electronics Corporation (Part of Schneider Electric) | Factory | 1-800-877-1174 |
| MCG Surge Protection | Factory | 1-800-851-1508 or www.mcgsurge.com |
| Advanced Protection Technologies Inc. | Factory | 1-800-237-4567 or www.aptsurge.com |

5 SERVICE AND PARTS

The following parts are provided with each machine for use in installation.

| <u>Dexter Part Number</u> | <u>Description</u> | <u>Quantity (T-900/T-950)</u> |
|---------------------------|----------------------|-------------------------------|
| 9990-027-013 | Hose, Water Supply | 2 or 4 |
| 8641-242-000 | Washer, Inlet Hose | 2 or 4 |
| 9565-003-001 | Strainer, Inlet Hose | 4 or 8 |

Contact distributor or Dexter Laundry, Inc. if a steel-mounting base is required.

For service and parts information, contact your local Dexter agent. To find your local Dexter agent, use the Distributor Locator at the website shown below. If a Dexter agent is not available, contact **Dexter Laundry, Inc.** directly as listed below:

Mailing Address: 2211 West Grimes Avenue Phone: 1-800-524-2954
Fairfield, IA 52556
USA

Website: www.dexter.com