

## Section 4

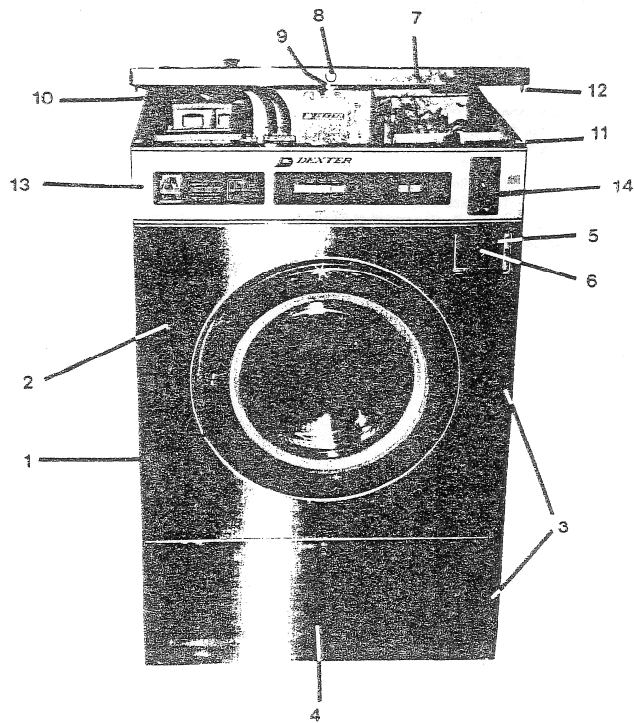
### ACCESSORIES

Part Number	Description	
9990-027-011	Hose, Water Supply (furnished)	2
8641-242-000	Washer, Inlet Hose (furnished)	2
9565-003-001	Strainer, Inlet Hose (furnished)	2
9732-069-001	Hour Meter Kit	
9249-001-001	Hourmeter	
9732-073-001	Manual Operation Kit	
9539-474-001	Switch, Blk/Red	
9539-474-002	Switch, Blk/Wht	
8545-051-001	Special Tool For Removing Coin Acceptor Mounting Screws, (Torx Size T-9)	
8545-054-001	Special Tools For Replacement of Bearings and Seals	

### KITS & ASSEMBLIES

Part Number	Description
9732-073-001	Manual kit - WCE4K

# CABINET AND FRONT PANEL GROUP



# CABINET AND FRONT PANEL GROUP

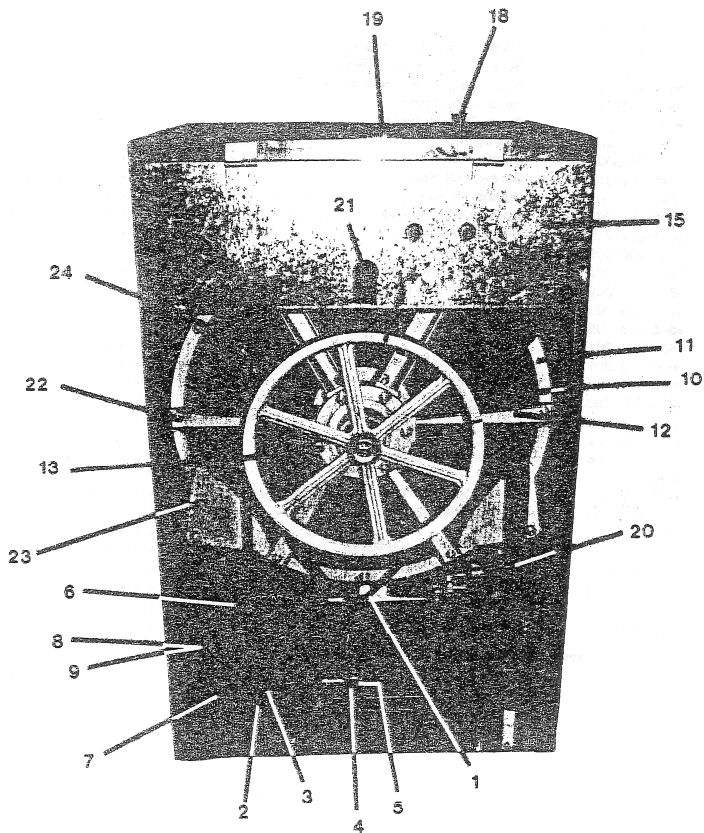
## MODELS

W  
C  
E  
A  
4  
K

W  
C  
E  
B  
4  
K

Key No.	Part Number	Description	W C E A 4 K	W C E B 4 K
1	9454-629-001	Panel, Side (Left or Right)	2	2
*	9545-030-002	Screw, (Side Panel to Base)	6	6
*	8640-423-001	Nut, Spring (Side Panel to Base)	6	6
2	9989-438-001	Panel Assy, Front	1	1
*	9059-063-002	Band, Edge Protector	1	1
*	8640-399-005	Nut, Spring	3	3
*	9545-008-005	Screw, Hex	5	5
3	9545-008-014	Screw, Flat Head	4	4
3	8641-585-001	Washer, Finish	4	4
4	8108-092-001	Door, Lower Service	1	1
*	9545-008-015	Screw, Locator	4	4
*	8641-436-005	Washer, Fiber	4	4
5	9807-077-007	Box Assy, Coin (See Coin Box Group)	1	1
6	8650-012-002	Lock, Coin Box (See Coin Box Group)	1	1
*	9942-024-001	Vault Assy, Coin	1	1
*	9545-008-005	Screw, Vault Mounting	4	4
7	9454-627-001	Panel, Top	1	1
8	8650-012-001	Lock, Top (w/Key)	1	1
9	9095-038-001	Cam, Lock-Top	1	1
*	8220-001-280	Wire Assy, Ground	1	1
10	9067-001-002	Cable, Top Panel Stop	1	1
*	9076-056-002	Collar, Cable Stop	2	2
*	9545-010-006	Screw, Cable Stop	2	2
11	9086-017-001	Catch, Top Panel Locator	2	2
12	9467-024-001	Post, Top Panel Locator	2	2
12	8641-582-005	Lockwasher	2	2
12	8640-163-000	Nut	2	2
13	9412-070-001	Nameplate, Control Panel	1	1
*	9989-440-001	Panel, Control (Mounts Nameplate)	1	1
*	9545-008-006	Screw, Control Panel Mtg	4	4
14	9021-001-005	Acceptor, Coin (25¢)	1	1
*	8502-616-001	Label, Door Opening	1	1

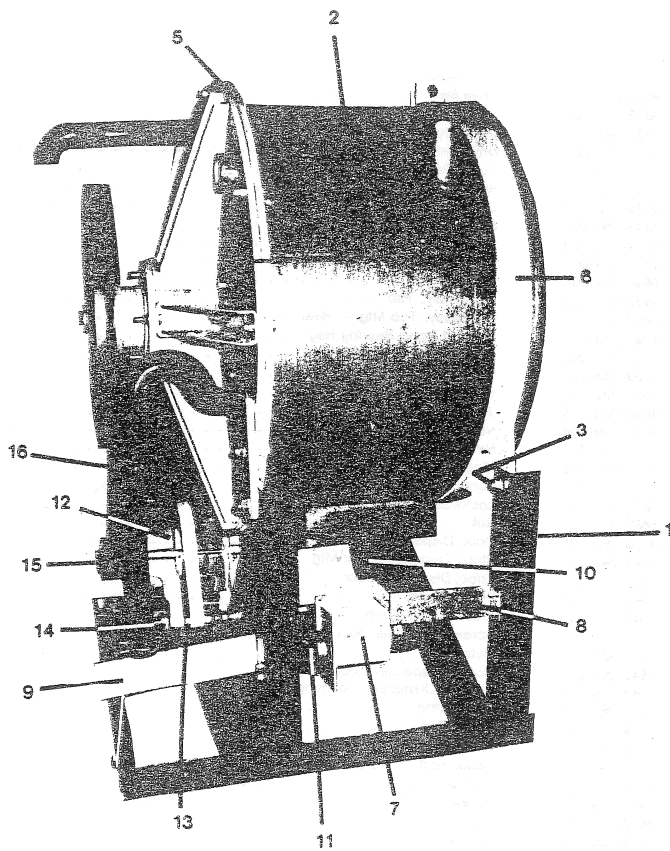
\*NOT ILLUSTRATED — Used throughout parts data section of book.



DRIVE & SUPPORT GROUP

DRIVE AND SUPPORT GROUP

Key No.	Part Number	Description	MODELS	
			W C E A 4 K	W C E B 4 K
1	9040-076-001	Drive Belt	1	1
2	9376-281-002	Drive Motor, 1 Phase	1	1
*	9539-467-001	Centrifugal Switch, 1 Phase	1	1
2	9376-281-003	Drive Motor, 3 Phase		1
3	9453-169-002	Pulley, Motor (w/set screws)	1	1
4	9497-222-002	Rod, Motor Mtg	1	1
5	9076-052-002	Collar, Shaft (w/set screws)	3	3
6	9544-050-001	Strap, Motor Tension	1	1
7	9534-319-002	Spring, Belt Tension	1	1
8	9545-055-001	Bolt, Eye	1	1
9	8640-414-004	Nut	1	1
10	9962-008-001	Back Assy., Tub	1	1
11	9950-041-002	Ring Assy., Tub Mtg. — Rear	1	1
12	9991-048-002	Support Assy., Bearing Hsg	6	6
13	9241-169-002	Housing, Bearing-Assembly	1	1
14	9453-168-002	Pulley, Driven	1	1
15	9081-092-001	Channel, Rear	1	1
*	9545-008-005	Screw	4	4
*	8640-399-004	Nut, Spring	14	14
16	9243-067-001	Hinge, Left Hand	1	1
17	9243-067-002	Hinge, Right Hand	1	1
*	9545-018-003	Screw	8	8
*	8641-582-007	Lockwasher	8	8
*	8640-414-001	Nut	8	8
18	9108-093-001	Door, Dispenser — Rubber	1	1
*	9544-048-001	Strap, Dispenser Door Mtg	1	1
*	9307-177-001	Knob, Dispenser Door	1	1
*	9545-010-008	Screw, Knob	1	1
*	8641-581-007	Washer, Flat-Knob	1	1
*	9545-012-017	Screw, Dispenser Door	2	2
*	8640-355-001	Nuts, Hex	2	2
*	9545-008-011	Screw, Dispenser Door (center)	1	1
*	9545-008-012	Screws, Dispenser Mounting	3	3
*	8640-399-003	Nut, Spring	4	4
19	9454-627-001	Panel, Top	1	1
20	9242-449-001	Hose, Overflow	1	1
21	9242-448-001	Hose, Vent	1	1
*	8654-029-000	Clamp, Hose	2	2
22	9545-029-003	Screw, (1½")	16	16
22	8640-415-004	Nut	16	16
23	9545-029-006	Screw (1¾")	2	2
23	8640-415-004	Nut	2	2
*	9989-439-001	Panel Assy., Back	1	1
*	9545-008-005	Screw	10	10
24	9242-175-000	Hose, Pressure Switch	1	1
*	8654-059-000	Clamp, Pressure Sw. Hose	1	1

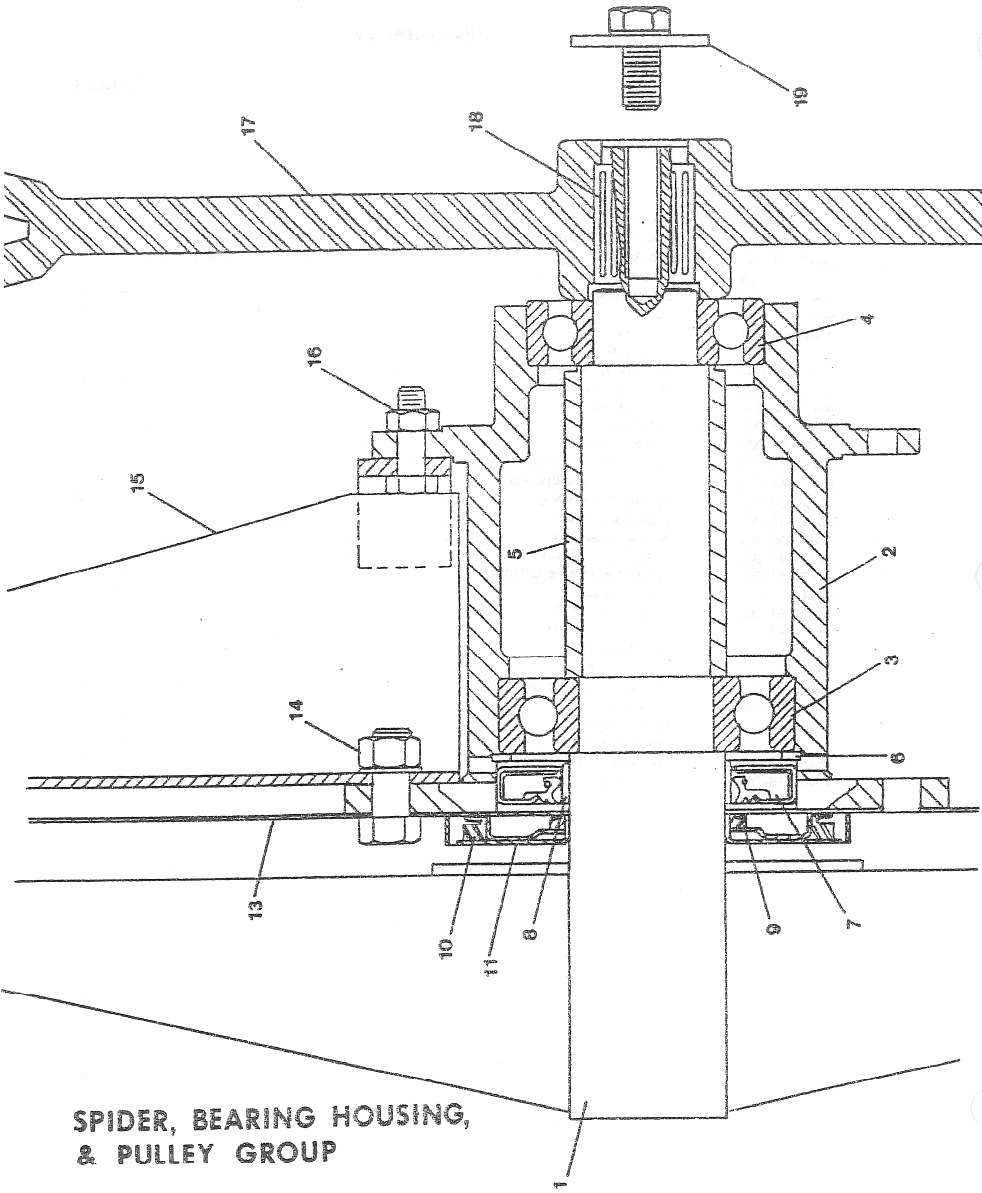


CHASSIS & DRAIN GROUP

CHASSIS AND DRAIN GROUP

Key No.	Part Number	Description	MODELS	
			W C E A 4 K	W C E B 4 K
1	9945-087-002	Base Assy, Frame	1	1
2	9930-134-001	Tub Assy	1	1
3	9545-017-009	Screw	4	4
3	8641-582-016	Lockwasher	4	4
3	8640-417-002	Nut	4	4
4	9962-008-001	Back Assy, Tub	1	1
5	9950-041-002	Ring Assy, Tub Mtg-Rear	1	1
6	9950-040-002	Ring Assy, Tub Mtg-Front	1	1
*	9545-017-003	Bolt, Top Front Band	1	1
*	8641-582-016	Lockwasher	1	1
*	8640-417-002	Nut, Hex	1	1
7	9379-184-001	Valve, Drain	1	1
8	9029-005-001	Bracket, Drain Valve	1	1
*	9545-045-002	Screw, Valve to Bracket	1	1
*	9545-030-002	Screw, Bracket Mtg	2	2
9	9915-116-002	Tube Assy, Drain	1	1
*	9545-030-002	Screw, Tube Mtg	2	2
10	9242-447-001	Hose, Tub to Drain Valve	1	1
11	9242-451-001	Hose, Drain Valve to Tube	1	1
*	8654-117-011	Clamp, Hose	4	4
12	9376-281-002	Motor, Drive (1 PH)	1	
12	9376-281-003	Motor, Drive (3 PH)		1
13	9497-222-002	Rod, Motor Mtg	1	1
14	9076-052-002	Collar, Shaft	2	2
*	9545-029-005	Screw, Motor Mtg Rod	1	1
*	8641-582-014	Lockwasher	1	1
15	9453-169-002	Pulley, Motor	1	1
*	9545-028-013	Set Screw, long	1	1
*	9545-028-010	Set Screw, short	1	1
16	9040-076-001	Belt, Drive	1	1



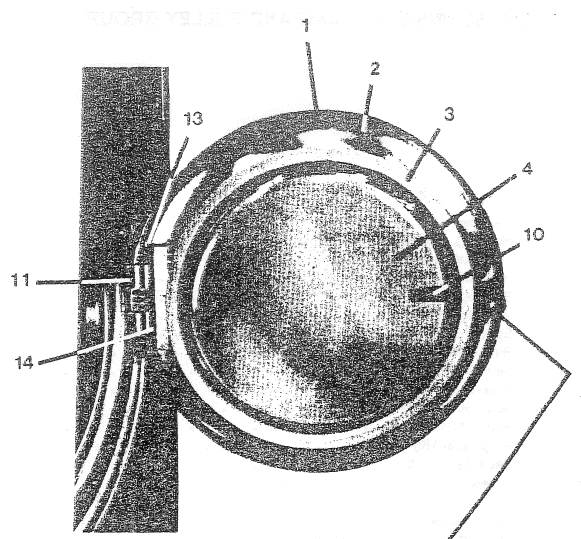


SPIDER, BEARING HOUSING,  
& PULLEY GROUP

SPIDER, BEARING HOUSING AND PULLEY GROUP

Key No.	Part Number	Description	MODELS	
			W A 4 K	W B 4 K
1	9848-109-001	Cylinder, Assy	1	1
2	9803-179-001	Housing, Bearing-Assembly (includes items #2-#7)	1	1
*		Housing, Bearing	1	1
3	9036-159-002	Bearing, Front	1	1
4	9036-159-001	Bearing, Rear	1	1
5	9538-158-001	Spacer, Bearing	1	1
6	9487-238-001	Ring-Retainer, Internal	1	1
7	9532-141-001	Seal-Cylinder, Shaft	1	1
8	9535-061-001	Sieve, Wear	1	1
9	9532-140-003	Seal, Secondary	1	1
10	9532-140-002	Seal, Primary	1	1
11	9950-042-001	Ring, Seal Mtg	1	1
13	9982-008-001	Back Assy, Tub	1	1
14	9545-017-009	Screw	6	6
14	8640-417-002	Nut	6	6
14	8641-582-016	Lockwasher	6	6
15	9991-048-002	Support Assy., Bearing Housing	6	6
16	9545-029-003	Screw	6	6
16	8640-415-004	Nut	6	6
17	9453-168-002	Pulley, Driven	6	1
18	9487-234-001	Ring, Tolerance	1	1
19	8641-581-026	Washer	1	1
19	9545-017-009	Screw	1	1
19	8641-582-016	Lockwasher	1	1

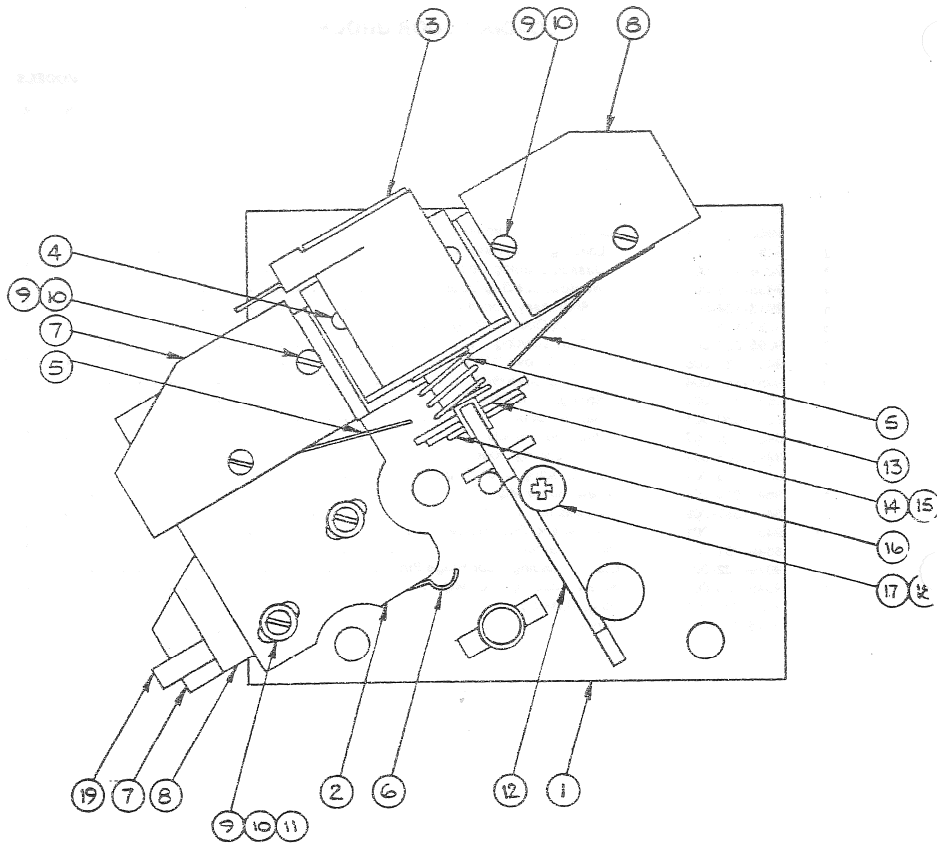
LEGEND



LOADING DOOR GROUP

LOADING DOOR GROUP

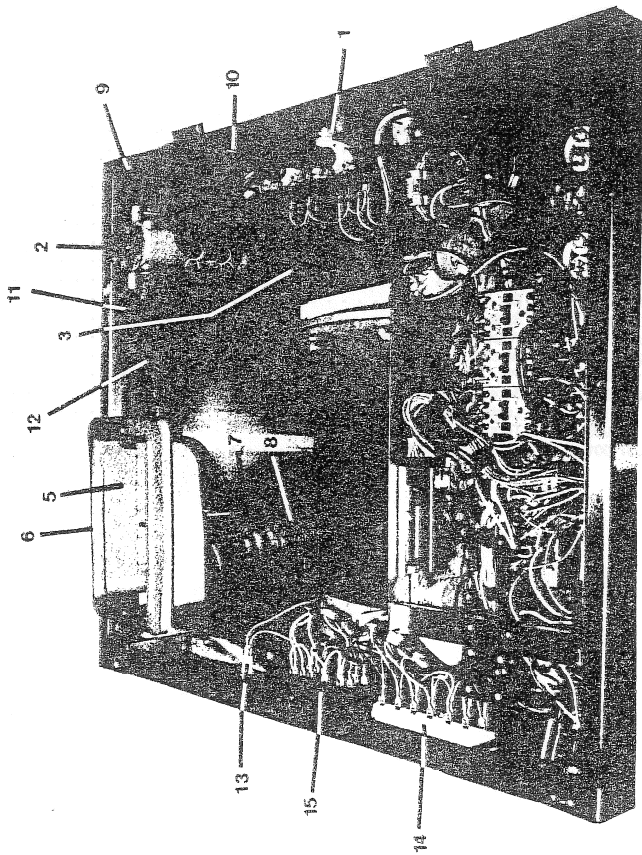
Key No.	Part Number	Description	MODELS	
			W C E A 4 K	W C E B 4 K
1	9960-259-001	Loading Door, Complete	1	1
2	9487-230-001	Loading Door, Ring	1	1
3	9206-417-001	Gasket, Loading Door	1	1
4	9635-016-001	Window, Loading Door	1	1
5	9913-134-001	Shaft Assy, Locking	1	1
6	9537-195-001	Shaft, Door Locking	1	1
7	9095-037-001	Cam, Locking	1	1
8	9451-181-005	Pin, Groove (1 1/4")	1	1
9	9451-181-004	Pin, Groove (3/4")	1	1
*	9534-360-001	Spring, Lock Cam	1	1
10	9244-080-001	Handle, Door	1	1
*	9451-180-007	Pin, Door Handle	1	1
11	9243-068-001	Hinge, Loading Door	1	1
*	9552-036-001	Shim, Loading Door Hinge		
*	9545-014-009	Screw, Hinge Mtg	3	3
*	8641-582-009	Lockwasher	3	3
13	9451-184-001	Pin, Loading Door Hinge	1	1
*	8649-031-000	Ring, Retaining	1	1
14	9079-122-001	Clamp, Loading Door Hinge Pin	1	1
*	9545-056-001	Screw, Loading Door Mtg	3	3
*	9487-233-001	Ring, Masking	1	1
*	9545-010-010	Screw	8	8



DOOR LOCK GROUP

DOOR LOCK GROUP

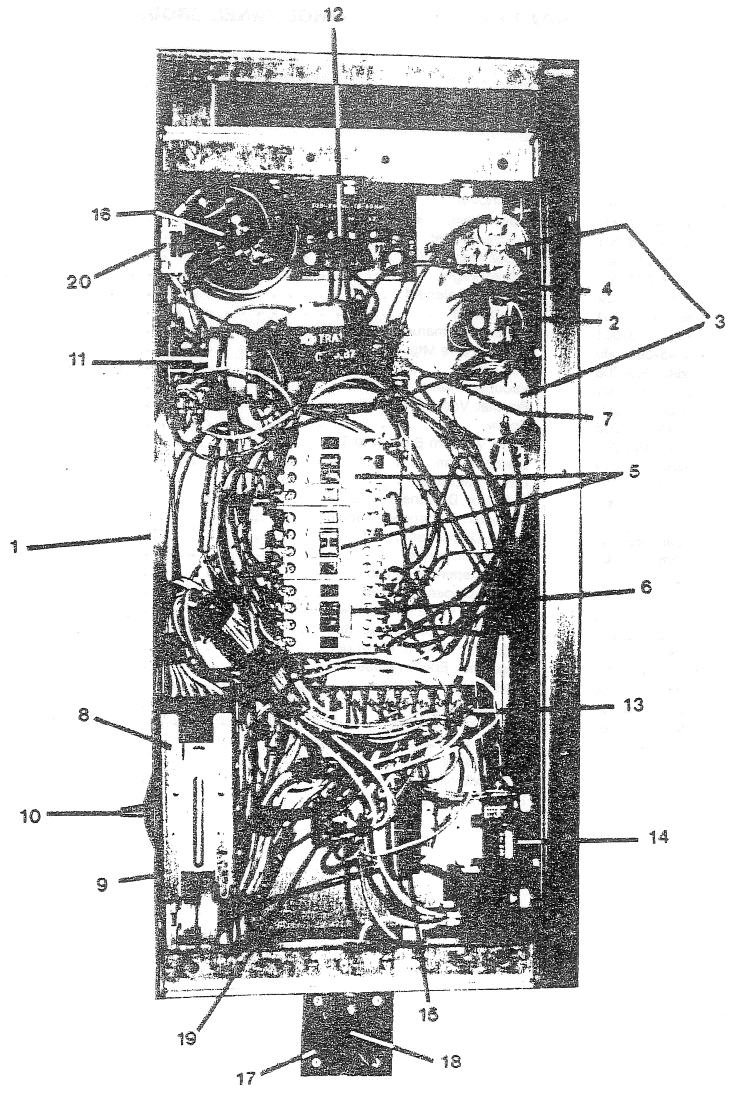
Key No.	Part Number	Description	MODELS			
			W	C	4	K
*	9885-021-001	Lock Assy, Complete	1			1
1	9982-282-001	Plate Assy, Door Lock	1			1
2	9029-015-001	Bracket, Switch Mtg	1			1
3	9536-081-002	Solenoid, Door Locking	1			1
4	9545-012-018	Screw, Solenoid Mtg	2			2
5	9539-461-002	Switch, Door Lock Sensing	2			2
6	9539-461-003	Switch, Door Latch Sensing	1			1
7	9550-169-001	Shield, Door Switch — Long	3			3
8	9550-169-002	Shield, Door Switch — Short	3			3
9	9545-020-001	Screw, Pan Hd Sltd	6			6
10	8640-401-001	Nut, Special	3			3
11	8641-581-027	Washer, Flat	2			2
12	9674-001-001	Bar Assy., Lock	1			1
13	9534-361-001	Spring, Conical	1			1
14	8641-581-008	Washer, Flat — Small	1			1
15	8641-262-000	Washer, Flat — Large	1			1
16	9451-169-001	Pin, Cotter	1			1
17	9545-010-011	Screw, Truss Hd	1			1
18		Loctite, Used to Lock Screw				
19	8652-124-036	Terminal, Fully Insulated	1			1
*	9552-037-001	Shim, Door Lock				



SOAP HATCH & CONTROL PANEL

SOAP HATCH AND CONTROL PANEL GROUP

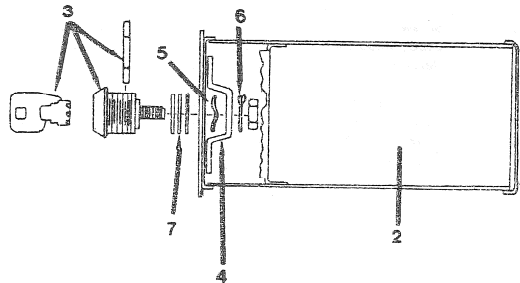
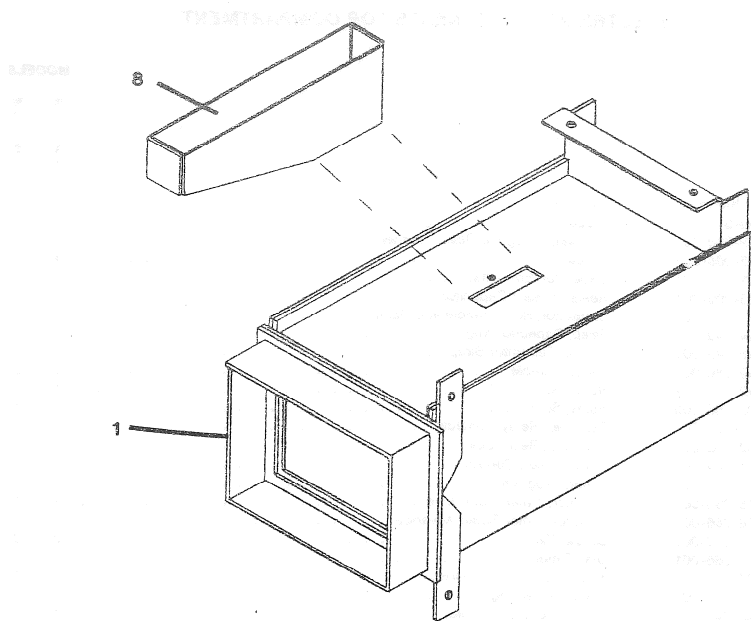
Key No.	Part Number	Description	W C E A 4 K	W C E B 4 K
1	9379-183-001	Valve, Water Inlet . . . . .	2	2
*	9555-056-001	Screen, Inlet . . . . .	2	2
*	9089-017-001	Coil Assy, 120 V . . . . .	2	2
*	9118-049-001	Diaphragm . . . . .	2	2
*	9211-021-002	Guide, Solenoid . . . . .	2	2
*	9015-008-001	Armature . . . . .	2	2
*	9534-298-001	Spring, Armature . . . . .	2	2
*	9545-008-005	Screw, Valve Mtg . . . . .	4	4
*	8640-399-006	Nut, Spring . . . . .	4	4
2	9610-001-001	Vacuum Breaker . . . . .	1	1
*	9029-006-001	Bracket, Vacuum Breaker . . . . .	1	1
*	9545-008-005	Screw . . . . .	4	4
3	9242-454-001	Hose, Vacuum Breaker to Tub . . . . .	1	1
4	8654-117-014	Clamp, Worm . . . . .	2	2
5	9122-005-001	Dispenser, Body . . . . .	1	1
*	9114-040-001	Deflector, Dispenser — Large . . . . .	1	1
*	9114-040-002	Deflector, Dispenser — Small . . . . .	1	1
*	9049-068-001	Baffle, Dispenser . . . . .	1	1
6	9206-416-001	Gasket, Dispenser . . . . .	1	1
7	9242-450-001	Hose, Dispenser to Tub . . . . .	1	1
8	8654-117-008	Clamp, Dispenser Hose . . . . .	2	2
9	9242-453-002	Hose, Hot Valve to Vac. Brkr . . . . .	2	2
10	9242-453-004	Hose, Cold Valve to Vac. Brkr . . . . .	2	2
11	9242-453-003	Hose, Vac. Brkr. to Wash Dis . . . . .	1	1
12	9242-453-005	Hose, Vac. Brkr. to Rinse Dis . . . . .	1	1
*	8654-040-000	Clamp, Hose . . . . .	12	12
13	3310-042-001	Light, Bleach . . . . .	1	1
14	3310-041-001	Light, Cycle Control . . . . .	1	1
15	9539-470-001	Switch, Pushbutton (cycle selector) . . . . .	1	1
*	8641-582-006	Lockwasher . . . . .	2	2
*	8640-413-001	Nut, Switch Mtg . . . . .	4	4
*	8652-130-037	Lug, Grounding . . . . .	4	4



**ELECTRICAL COMPONENTS  
TOP COMPARTMENT**

**ELECTRICAL COMPONENTS TOP COMPARTMENT**

Key No.	Part Number	Description	MODELS	
			W C E A 4 K	W C E B 4 K
1	9839-011-001	Trough Assy, Controls Mtg	1	1
*	9029-010-001	Bracket, Trough to Rear Channel	1	1
*	9545-008-005	Screw	4	4
2	5191-102-001	Capacitor, Spin-Start	1	
*	9483-002-001	Resistor, Start Capacitor	1	
3	5191-103-001	Capacitor, Run (Tumble and Spin)	2	
4	9544-049-001	Strap, Capacitor Mtg	1	
*	9545-045-001	Screw, Capacitor Strap	2	
5	5192-286-001	Relay, Tumble	2	2
6	5192-286-002	Relay, Spin	1	
6	5192-286-003	Relay, Spin		1
*	8652-132-001	Terminal, Relay Contacts		
*	8652-132-003	Terminal, Relay Coil		
7	8711-004-001	Transformer, Control		1
8	9571-353-002	Timer, Program	1	1
*	9376-285-002	Motor, Timer Main Drive	1	1
*	9376-286-002	Motor, Timer Rapid Advance	1	1
*	9545-012-001	Screw, Timer	2	2
9	9107-066-001	Dial, Timer	1	1
10	9307-176-001	Knob, Timer (w/set screws)	1	1
11	9571-354-001	Timer, Reversing	1	1
*	9545-044-004	Screw, Reversing Timer	2	2
12	9897-028-001	Terminal Block, Power Connection	1	1
13	9897-029-001	Terminal Block Assy, 12 Lug	1	1
14	9020-002-001	Accumulator, Coin	1	1
*	9545-015-002	Screw, Accumulator	4	4
*	9209-085-001	Grommet, Nut	4	4
15	8711-003-001	Transformer, (For Accumulator)	1	1
16	9539-457-001	Switch, Pressure	1	1
17	9539-471-001	Switch, Rotary Selector	1	1
*	9545-044-004	Screw	2	2
18	9307-176-001	Knob, Switch	1	1
*	9029-012-001	Bracket, Mode Switch	1	1
*	9545-045-002	Screw	2	2
*	8502-613-001	Label, Mode Switch	1	1
19	5192-285-001	Relay, Prewash	1	1
*	9545-031-003	Screw	2	2
*	9488-008-002	Rail, Relay Mtg	1	1
20	9054-045-001	Holder, Fuse	1	1
*	8636-018-001	Fuse, 1 1/2 Amp	1	1
*	8652-130-037	Lug, Grounding	4	4



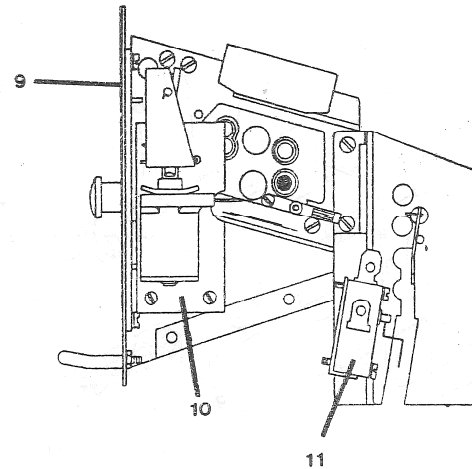
COIN HANDLING GROUP

COIN HANDLING GROUP

MODELS

W C E  
A B  
4 4  
K K

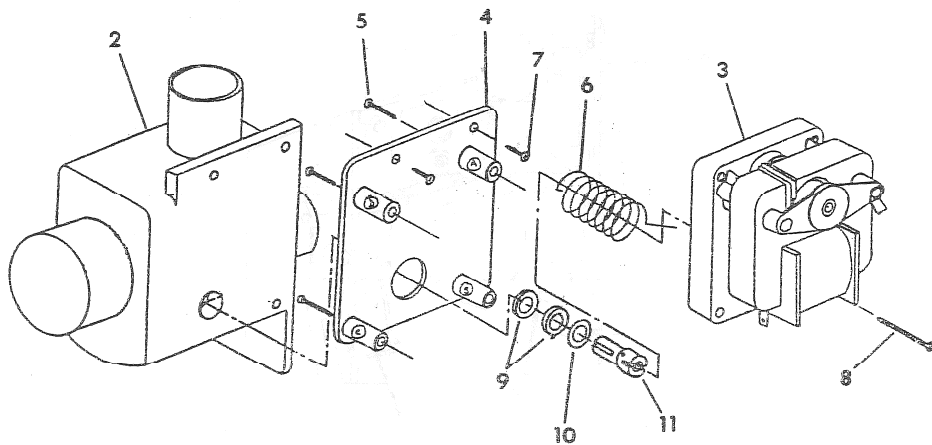
Key No.	Part Number	Description	1	1
1	9942-024-001	Vault, Assy	1	1
*	9545-008-005	Screw, Vault Mtg	4	4
2	9807-077-007	Box Assy., Coin	1	1
3	8650-012-002	Lock, Coin Box (w/key)	1	1
4	9349-033-001	Latch, Coin Box	1	1
5	8641-569-002	Washer, Wave	1	1
6	8641-583-001	Washer, Keeper	1	1
7	8641-581-008	Washer, Spacer — Thick		
7	8641-581-010	Washer, Spacer — Thin		
8	9940-014-001	Chute Assy., Coin	1	1
*	9545-045-001	Screw, Chute Mtg	1	1
9	9021-001-005	Acceptor, Coin (w/coin blocking)	1	1
*	9021-001-004	Acceptor, Coin	1	1
10	9922-008-001	Coin Blocking Assy (complete)	1	1
*	9536-079-001	Solenoid, Coin Blocking	1	1
*	9534-362-001	Spring, Coin Blocking	1	1
*	9545-039-001	Screw, Blocking Assy., Mtg	2	2
*	8641-579-001	Lockwasher	2	2
*	9545-020-002	Screw, Acceptor Mtg	4	4
*	8640-355-005	Nut	4	4
11	9539-466-002	Switch, Coin	1	1



### GRAVITY DRAIN VALVE GROUP

#### MODELS

Key No.	Part Number	Description	MODELS	
			W C E A 4 K	W C E B 4 K
1	9379-184-001	Valve, Drain . . . . .	1	1
2	9064-068-001	Body, Valve (w/ball) . . . . .	1	1
3	9914-137-004	Motor & Gear Train . . . . .	1	1
4	9452-538-001	Plate, Motor Mtg . . . . .	1	1
5	8639-994-001	Screw . . . . .	3	3
6	9534-340-001	Spring, Drive . . . . .	1	1
7	9545-054-001	Screw . . . . .	2	2
8	9545-054-002	Screw . . . . .	1	1
9	9532-134-001	Seal, V Packer . . . . .	2	2
10	8641-584-001	Washer . . . . .	1	1
11	9451-185-001	Pin, Main Drive . . . . .	1	1



### WIRING HARNESS GROUP

#### MODELS

Part Number	Description	MODELS	
		W C E A 4 K	W C E B 4 K
9627-659-001	Wiring Harness (MH1), Drain Valve, Door Solenoid & Limit Switches . . . . .	1	1
9627-660-001	Wiring Harness (MH2), Water Valve & Pressure Switch . . . . .	1	1
9627-661-001	Wiring Harness (MH3), White Connector-Program Timer . . . . .	1	1
9627-662-001	Wiring Harness (MH4), Black Connector-Program Timer . . . . .	1	1
9627-657-001	Wiring Harness, Drive Motor (1 PH) . . . . .	1	
9627-656-001	Wiring Harness, Drive Motor,(3 PH) . . . . .		1
9627-658-001	Wiring Harness, Mode Selector . . . . .	1	1
9627-654-001	Wiring Harness, Prewash Relay . . . . .	1	1
* 8654-125-001	Clamp, Cable — ¼ Dia . . . . .	1	1
* 8654-125-003	Clamp, Cable — 7/16 Dia . . . . .	3	3
* 8654-125-004	Clamp, Cable — ¼ Dia . . . . .	1	1