

## Section 4

### PARTS DATA

#### Accessories

##### ACCESSORIES

5130-019-1 .....	Oil - 1 Gallon
9472-001-1 .....	Touch - up Paint - 16 oz. Aerosol Can - Wh.
9472-001-5 .....	Touch - up Paint - 16 oz. Aerosol Can - H.G.
9472-001-8 .....	Touch - up Paint - 16 oz. Aerosol Can - Alm.

Sealant - Transmission Housing Face — See Page 3-33 For Details.

Sturdi-Base Accessories — See Page 4-23.

##### INSTALLATION ACCESSORIES (furnished)

9990-027-011	Hose, Water Supply .....	2
8641-242-000	Washer, Inlet Hose .....	2
9565-003-001	Strainer, Inlet Hose .....	2
9054-047-002	Spacer, Unit Mt'g .....	4
8527-109-001	Decal-DOUBLE LOAD .....	1

Special Tool — Removal of coin acceptor (Torx Drive, Size T-9)

Available through Distributor — Pt. #8545-051-001. (not furnished)

##### CONVERSION —

###### Cold Water Only in Soak and Rinse —

Remove R-GN wire from terminal number 3 on the temperature selector switch. Tape off terminal on end of wire to prevent shorting.

###### Long Cycle — (includes soak) —

###### Short Cycle — (soak elimination) —

See instruction sheet — page 3-9.

### KITS & ASSEMBLIES

Part Number	Description
9732-092-001	WCA20 coin box guard
9732-055-002	Manual Start Kit
9732-040-001	Lower Service Door Bracket and Fastener Kit
9732-038-001	Stator And Coil Kit Depend-O-Drain 120 Volt
9732-030-001	High Speed Solenoid Assembly New Style
9702-133-000	Pump Cover Kit
9702-119-000	Seal Kit
9702-112-000	Tub Back Seal Kit
9702-092-002	Tub Back Bearing and Seal Kit Complete

**CABINET AND FRONT PANEL GROUP (Figure 4-1)**

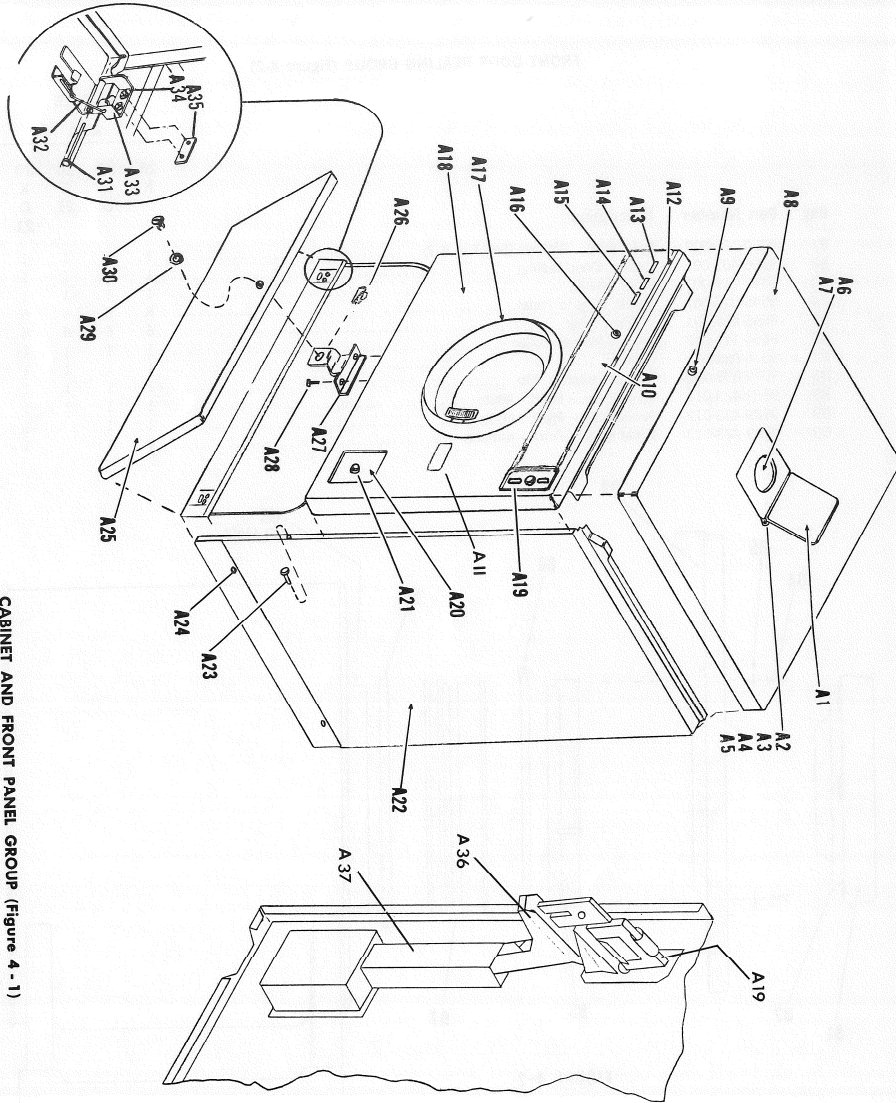
Key	Part Number	Description	MODELS			
			WCA			
			20 K	20 K D	20 D 21	20 K D 21
A1	9960-250-001	Door Assy. - Soap (Brown)	1	1	1	1
*	9108-086-001	Door, Soap	1	1	1	1
*	9243-059-001	Hinge, Leaf	1	1	1	1
*	9545-011-001	Screw, Drive	2	2	2	2
A2	9545-010-006	Screw, Soap Door Mtg.	2	2	2	2
A3	8641-549-003	Washer, Soap Door Mtg.	2	2	2	2
A4	8641-436-001	Washer, Fiber	2	2	2	2
A5	8640-355-004	Nut - Hex Soap Door Mtg.	2	2	2	2
A6	9118-035-002	Diaphragm, Soap Door	1	1	1	1
A7	9082-025-001	Cup, Soap Door Diaphragm	1	1	1	1
A8	9989-121-007	Panel Assy. - Top - White	1	1	1	1
A8	9989-121-008	Panel Assy. - Top - H.G.	1	1	1	1
A8	9989-121-009	Panel Assy. - Top - Almond	1	1	1	1
*	9206-100-000	Gasket, Top Panel Silencer	2	2	2	2
A9	8650-019-001	Lock and Key, Top Panel	1	1	1	1
*	6292-006-003	Key Only (GR700) (For A9)	1	1	1	1
*	9206-393-001	Gasket, Lock - (For A9)	1	1	1	1
A10	9994-029-001	Escutcheon Assy. - (incl. nameplate)	1	1	1	1
A10	9412-067-001	Nameplate - only	1	1	1	1
A11	8502-598-001	Label, Warning	1	1	1	1
A12	9545-031-005	Screw, Escutcheon Mtg.	6	6	6	6
A13	3310-009-000	Light, Pilot - Red - 120V	1	1		
A13	3310-037-003	Light, Pilot - Red - 230V			1	1
A14	3310-010-000	Light, Pilot - Amber - 120V	1	1		
A14	3310-037-005	Light, Pilot - Amber - 230V			1	1
A15	3310-011-000	Light, Pilot - Clear - 120V	1	1		
A15	3310-037-004	Light, Pilot - Clear - 230V			1	1
A16	9539-449-001	Switch, Temp. (6-Way)	1	1	1	1
A16	9545-044-003	Screw, Temp. Switch Mtg.	1	1	1	1
A16	9307-090-002	Knob, Temp. Switch	1	1	1	1
A16	9545-028-006	Screw, Knob	1	1	1	1
A17	9960-185-009	Door Assy. - Clothes (Refer Fig. 4-3)	1	1	1	1
A18	9989-423-011	Panel Assy. - Front - White	1	1	1	1
A18	9989-423-012	Panel Assy. - Front - H.G.	1	1	1	1
A18	9989-423-013	Panel Assy. - Front - Almond	1	1	1	1
	8651-053-002	Button, Plug (Front Panel)	1	1	1	1
A19	9021-001-001	Acceptor, Coin - 25¢ w/coin blocking	1	1		
A19	9021-003-001	Acceptor, Coin - 25¢ w/o coin blocking	1	1	1	1
	9545-020-002	Screw, Acceptor Mtg.	4	4	4	4
	8640-355-002	Nut, Acceptor Mtg.	4	4	4	4
	9003-170-001	Angle, Top Panel Hold Down	1	1	1	1
	9545-008-005	Screw, Hold Down Mtg.	2	2	2	2
	8640-359-002	Nut, Top Panel Lock Receiver	1	1	1	1
A20	9041-074-001	Box Assy. - Coin	1	1	1	1
A20	9452-552-002	Plate, Coin Box Front - White	1	1	1	1
A20	9452-552-003	Plate, Coin Box Front - H.G.	1	1	1	1
A20	9452-552-004	Plate, Coin Box Front - Almond	1	1	1	1
A21	8650-018-003	Lock and Key, Coin Box	1	1	1	1

\* Not Illustrated

**CABINET AND FRONT PANEL GROUP (continued) (Figure 4-1)**

Key	Part Number	Description	MODELS			
			WCA			
			20 K	20 K D	20 D 21	20 K D 21
A22	9989-334-000	Panel Assy. - R.H. Side - White	1	1	1	1
A22	9989-335-009	Panel Assy. - R.H. Side - H.G.	1	1	1	1
A22	9989-335-016	Panel Assy. - R.H. Side - Almond	1	1	1	1
*	9989-335-000	Panel Assy. - L.H. Side - White	1	1	1	1
*	9989-335-010	Panel Assy. - L.H. Side - H.G.	1	1	1	1
*	9989-335-017	Panel Assy. - L.H. Side - Almond	1	1	1	1
A23	9051-021-000	Bumper, Serv. Door	2	2	2	2
A24	8641-342-000	Washer, Side Panel to Cradle	4	4	4	4
A24	9545-008-005	Screw, Side Panel to Cradle	4	4	4	4
*	9206-176-000	Gasket, Side Panel to Fr. Panel	6	6	6	6
*	9545-008-005	Screw, Side Panel to Fr. Panel	6	6	6	6
*	8023-118-000	Clip, Wire Harness - Side Panel	2	2	2	2
A25	9960-186-012	Door Assy. - Service - White	1	1	1	1
A25	9960-186-014	Door Assy. - Service - H.G.	1	1	1	1
A25	9960-186-017	Door Assy. - Service - Almond	1	1	1	1
A26	9492-008-001	Receptacle, Serv. Door Stud	1	1	1	1
A27	9039-985-002	Bracket, Serv. Door Stud	1	1	1	1
A28	9545-008-005	Screw, Serv. Door Brkt. Mtg.	2	2	2	2
*	8520-223-003	Nut, Spring (For A28)	2	2	2	2
A29	9209-084-001	Grommet, Serv. Door Stud	2	2	2	2
A30	9531-031-001	Stud, Serv. Door Latch	1	1	1	1
A31	9451-042-000	Pin, Serv. Door Hinge	2	2	2	2
A32	9341-028-000	Link, Serv. Door	2	2	2	2
A33	9039-120-000	Bracket, Serv. Door Hinge	2	2	2	2
A34	9545-045-002	Screw, Serv. Door Hinge Brkt.	4	4	4	4
A35	8520-123-000	Nut, Spring, Hinge Brkt.	2	2	2	2
A36	9940-012-001	Chute Assy. - Coin	1	1	1	1
*	9545-012-011	Screw, Chute to Hsg. Mtg.	2	2	2	2
A37	9574-235-003	Tube, Coin Vault	1	1	1	1
*	9545-008-006	Screw (For Item A36 and A37)	1	1	1	1
*	9454-451-002	Panel, Back	1	1	1	1
*	9545-008-005	Screw, Back Panel Mtg.	12	12	12	12

\* Not Illustrated



CABINET AND FRONT PANEL GROUP (Figure 4-1)

FRONT DOOR SEALING GROUP (Figure 4-2)

Key	Part Number	Description	MODELS			
			WCA			
			20 K	20 K D	20 D 21	20 K D 21
B1	9960-185-009	Door Assy. - Clothes (See Fig. 4-3)	1	1	1	1
B2	9206-402-001	Gasket, Door Sealing	1	1	1	1
B3	9487-219-001	Ring, Sealing	1	1	1	1
B4	9545-015-001	Screw, Ring to Panel	1	1	1	1
B5	8641-436-001	Washer, Fiber	6	6	6	6
B6	8654-117-012	Clamp, Ring to Collar	6	6	6	6
B7	9076-050-001	Collar	1	1	1	1
B8	9079-098-000	Clamp, Collar to Tub	1	1	1	1
B9	9989-423-011	Panel Assy. - Front - White	1	1	1	1
B9	9989-423-012	Panel Assy. - Front - H.G.	1	1	1	1
B9	9989-423-013	Panel Assy. - Front - Almond	1	1	1	1

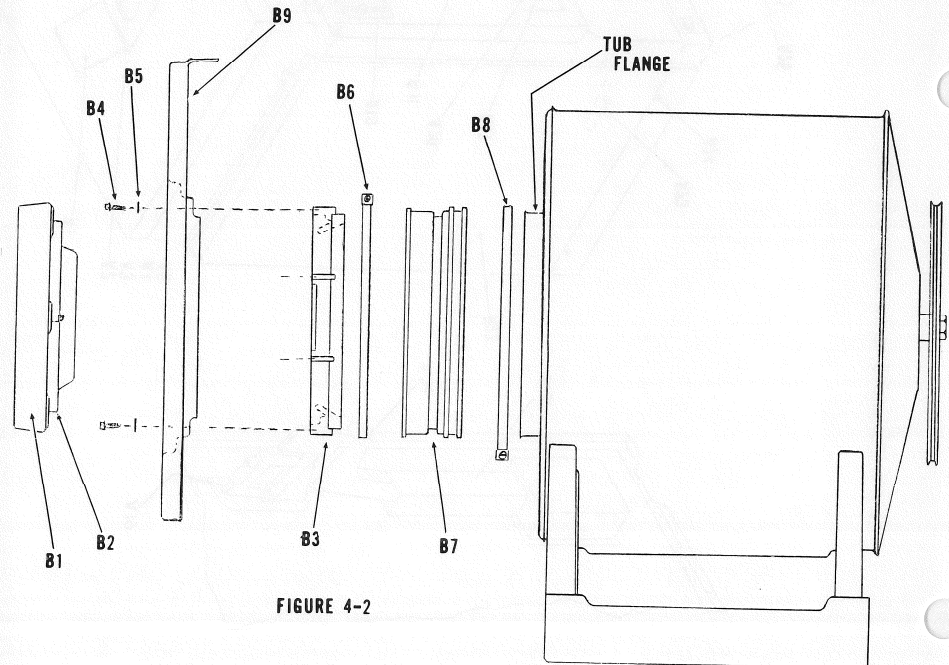
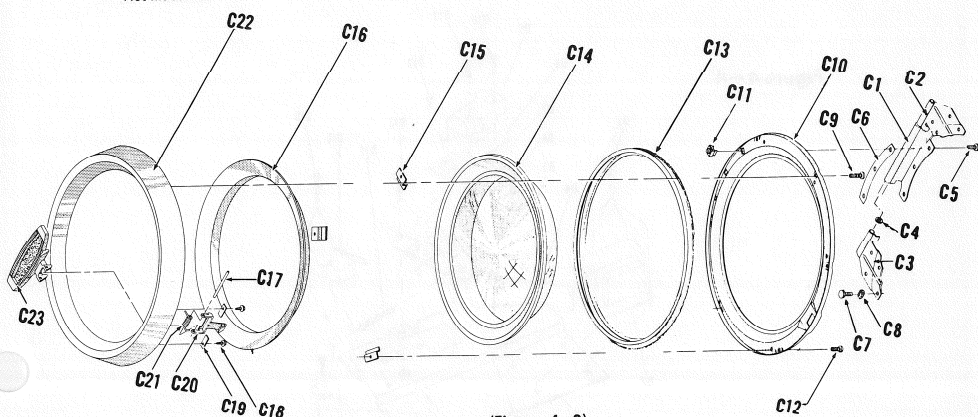


FIGURE 4-2

## CLOTHES DOOR GROUP (Figure 4-3)

Key	Part Number	Description	MODELS			
			WCA			
			20 K	20 K D	20 D 21	20 K D 21
*	9955-017-002	Hinge Assy. - Complete	1	1	1	1
C1	9845-004-001	Leaf and Pin Assy.	1	1	1	1
C2	9039-738-001	Bracket, Hinge - Upper	1	1	1	1
C3	9039-737-001	Bracket, Hinge - Lower	1	1	1	1
C4	9538-033-000	Spacer, Hinge	2	2	2	2
C5	9545-006-002	Screw, Hinge to Door	3	3	3	3
C6	9552-031-001	Shim, Door Hinge	AR	AR	AR	AR
C7	9545-006-003	Screw, Hinge to Front Panel	4	4	4	4
C8	8641-582-007	Lockwasher (For Item C7)	4	4	4	4
*	8640-414-002	Nut, Hex (For Item C7)	4	4	4	4
*	9455-007-000	Pad, Clothes Door Latch (On Fr. Panel)	1	1	1	1
*	9545-006-001	Screw, Latch Pad Mtg.	2	2	2	2
*	9960-185-009	Door Assy., Clothes - Complete	1	1	1	1
C9	8639-829-000	Screw, Spec.	6	6	6	6
C10	9454-260-007	Panel, Clothes Door	1	1	1	1
C11	8640-172-000	Nut Spring	3	3	3	3
C12	8639-827-000	Screw, Spec.	3	3	3	3
C13	9206-402-001	Gasket, Door Sealing	1	1	1	1
C14	9635-015-001	Window	1	1	1	1
C15	9486-026-001	Retainer, Window	3	3	3	3
C16	9276-060-004	Insert, Clothes Door (Brown)	1	1	1	1
C17	9451-156-001	Pin, Clothes Door Latch	1	1	1	1
C18	8639-547-000	Screw, Latch Pin Retain.	2	2	2	2
C19	9486-027-000	Retainer, Latch Pin	2	2	2	2
C20	9349-017-000	Latch, Clothes Door	1	1	1	1
C21	9534-066-000	Spring, Door Latch	1	1	1	1
C22	9487-055-000	Ring, Clothes Door - Chrome	1	1	1	1
C23	9244-075-002	Handle, Clothes Door	1	1	1	1

\* Not Illustrated



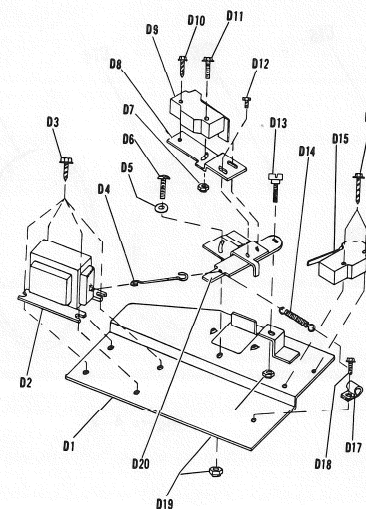
(Figure 4-3)

## DOOR LOCK MECHANISM (Figure 4-4)

Key	Part Number	Description	MODELS			
			WCA			
			20 K	20 K D	20 D 21	20 K D 21
*	9885-019-001	Lock Assy., Door - 120V - 60HZ - Comp. w/coin blocking	1	1		
*	9885-019-002	Lock Assy., Door - 230V - 50HZ - Comp. w/coin blocking			1	1
*	9885-019-003	Lock Assy., Door - 120V - 60HZ - Comp. w/o coin blocking	1	1		
*	9885-019-004	Lock Assy., Door - 230V - 50HZ - Comp. w/o coin blocking			1	1
D1	9982-276-002	Plate Assy. - Latch Mech.	1	1	1	1
D2	9536-078-001	Solenoid - 120V - 60HZ	1	1		
D2	9536-078-002	Solenoid - 230V - 50HZ			1	1
D3	9545-008-001	Screw, Solenoid Mtg.	4	4	4	4
*	8641-582-006	Lockwasher (with item D3)	4	4	4	4
D4	9341-042-001	Link, Sol. Latch	1	1	1	1
D5	8641-581-006	Washer (with item D6)	1	1	1	1
D6	9545-012-013	Screw, Latch Plate Mtg.	1	1	1	1
D7	8640-411-002	Nut, Elastic Stop (with item D11)	1	1	1	1
D8	9039-601-000	Bracket, Switch	1	1	1	1
D9	9539-446-004	Switch, Latching	1	1	1	1
*	9550-164-001	Shield, Insulator	1	1	1	1
D10	9545-031-006	Screw, Switch Mtg.	1	1	1	1
D11	9545-044-002	Screw, Switch Mtg.	1	1	1	1
D12	9545-031-003	Screw, Sw. Brkt. to Plate	2	2	2	2
D13	9451-098-000	Pin, Latch Pivot	1	1	1	1
D14	9534-350-001	Spring, Sol. Return	1	1	1	1
D15	9539-446-005	Switch, Door Lock Sensing	1	1	1	1
*	9550-164-001	Shield, Insulator	1	1	1	1
D16	9545-031-006	Screw, Switch Mtg.	2	2	2	2
D17	8654-125-001	Clamp, Plastic	1	1	1	1
D17	8654-125-002	Clamp, Plastic	1	1	1	1
D18	8639-547-000	Screw, (Items D14 and D17 to Plate)	2	2	2	2
D19	8640-413-004	Nut, Elastic Stop (with D6 and D13)	1	1	1	1
D20	9982-173-001	Bracket - Locking	1	1	1	1

\* Not Illustrated

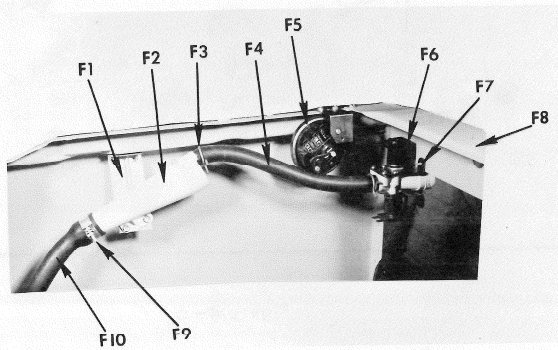
Figure 4-4



**UPPER REAR CHANNEL COMPONENTS (Figure 4-5)**

Key	Part Number	Description	MODELS			
			WCA			
			20 K	20 K D	20 D 21	20 K D 21
F1	9039-421-001	Bracket, Inlet Trough Mtg.	1	1	1	1
F2	9575-026-001	Trough, Water Inlet	1	1	1	1
*	9413-030-001	Nozzle (For Item F1)	1	1	1	1
*	9545-031-005	Screw, Nozzle to Trough	2	2	2	2
*	9545-008-005	Screw, Trough and Bracket Mtg.	4	4	4	4
F3	8654-093-000	Clamp, Hose (For Item F2)	2	2	2	2
F4	9242-369-001	Hose, Water Valve to Trough	1	1	1	1
F5	9539-457-001	Switch, Pressure	1	1	1	1
*	9545-008-005	Screw, Press. Switch to Side Panel	2	2	2	2
F6	9379-175-001	Valve, Water - 120V - 60HZ (Ref. Fig. 5)	1	1		1
F6	9379-175-003	Valve, Water - 230V - 50HZ (Ref. Fig. 5)			1	1
F7	9545-008-008	Screw, Water Valve to Channel	2	2	2	2
F8	9081-052-001	Channel, Upper Rear	1	1	1	1
*	9802-037-007	Cord Service	1	1	1	1
*	8618-034-000	Strain Relief	1	1	1	1
*	8639-621-007	Screw, Terminal and Cord Eyelet	1	1	1	1
*	8652-130-037	Terminal, Ground Wire	1	1	1	1
*	9545-008-005	Screw, Rear Channel to Side Panel	4	4	4	4
*	9039-996-001	Bracket, Timer Mtg.	1	1	1	1
		Timer - See Fig. 4-13	1	1	1	1
F9	8654-035-000	Clamp, Inlet Hose	1	1	1	1
F10	9242-368-001	Hose, Trough to Tub	1	1	1	1
*	9132-001-001	Dipstick, Oil Checking	1	1	1	1
*	9242-427-002	Hose, Filler Tube	1	1	1	1
*	9206-176-000	Gasket, Spacer (Sidepanels to Front)	6	6	6	6

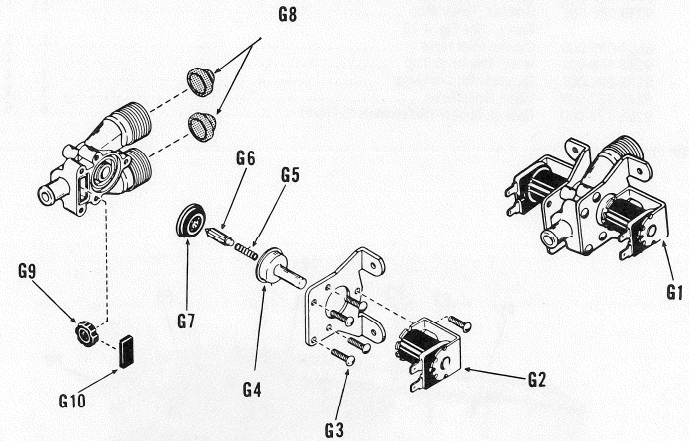
\* Not Illustrated



**FIGURE 4-5**

**WATER INLET VALVE GROUP (Figure 4-6)**

Key	Part Number	Description	MODELS				
			WCA				
			20 K	20 K D	20 D 21	20 K D 21	20 K D 21
G1	9379-175-001	Valve, Water Inlet - 120V - 50/60HZ	1	1			
G1	9379-175-003	Valve, Water Inlet - 230V - 50/60HZ			1	1	
G2	9089-017-000	Coil - 120V	2	2			
G2	9089-035-002	Coil - 230V					
G3	8639-827-000	Screw			2	2	
G4	9211-021-002	Guide, Armature	10	10	10	10	
G5	9534-298-001	Spring, Armature	2	2	2	2	
G6	9015-008-001	Armature	2	2	2	2	
G7	9118-049-001	Diaphragm	2	2	2	2	
G8	9555-056-001	Screen	2	2	2	2	
G9	9626-052-003	Washer, Flow	1	1	1	1	
G10	9206-401-001	Plug, Flow	1	1	1	1	



**Figure 4-6**

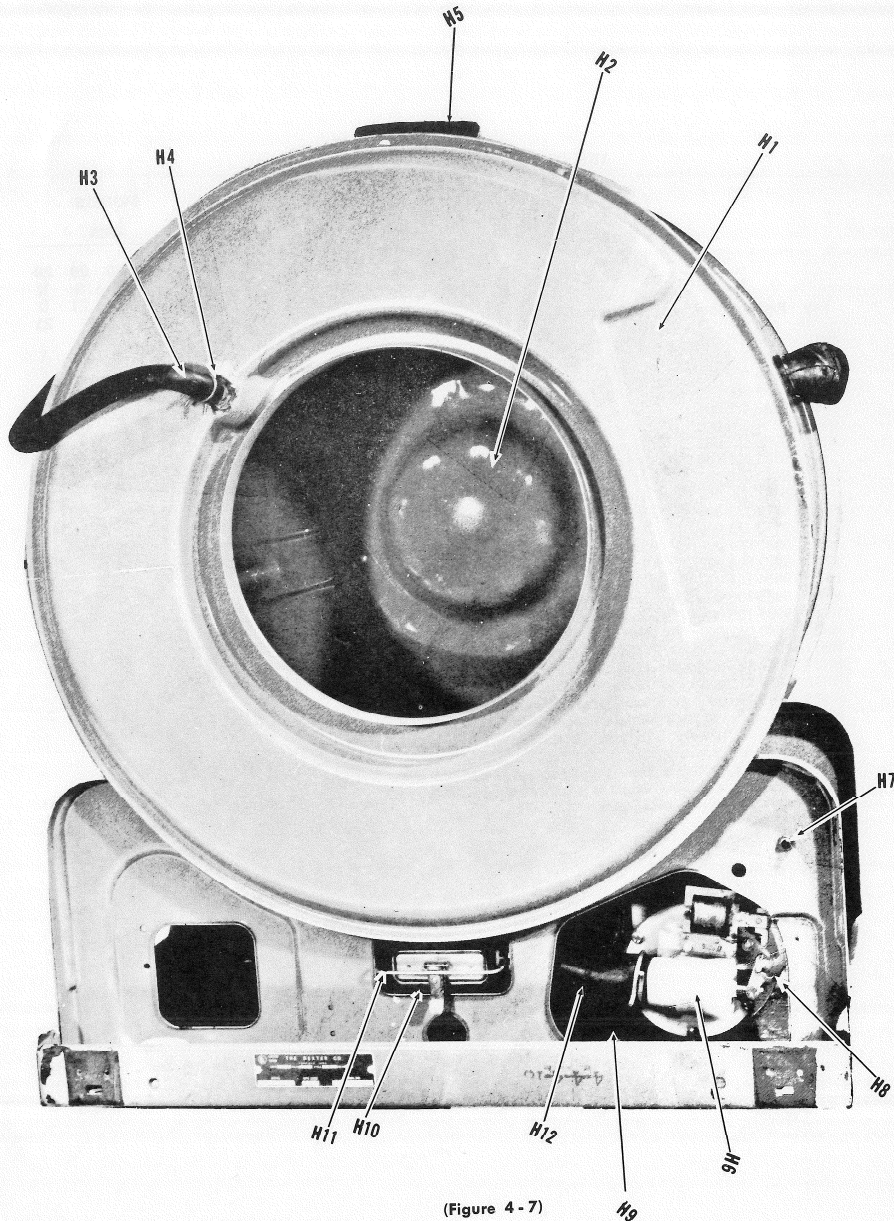
# COMMERCIAL WASHERS



## TUB, CRADLE AND DRAIN GROUP (Figure 4-7)

Key	Part Number	Description	MODELS			
			WCA			
			20 K	20 K D	20 D 21	20 K D 21
H1	9930-095-007	Tub and Cradle Assy. ....	1	1	1	1
H2	9850-002-004	Cylinder Assy. ....	1	1	1	1
H3	9242-368-001	Hose, Trough to Tub	1	1	1	1
*	8654-035-000	Clamp, Hose - Trough End	1	1	1	1
H4	8654-093-000	Clamp, Hose - Tub End	1	1	1	1
H5	9118-035-002	Diaphragm, Soap Door	1	1	1	1
H6		Pump Assy. (Refer Figure 4-11)	1	1	1	1
H7	5198-211-001	Circuit Breaker - 120V	1	1		
H7	5198-211-002	Circuit Breaker - 230V			1	1
H8	9902-141-006	Transmission - 120V - 60HZ (Ref. Fig. 4-10)	1			
H8	9902-143-008	Transmission - 120V - 60HZ (Ref. Fig. 4-10)		1		
H8	9902-143-009	Transmission - 230V - 50HZ (Ref. Fig. 4-10)			1	1
H9	9460-004-000	Pan, Base	1	1	1	1
*	9545-008-005	Screw, Base Pan Mtg.	1	1	1	1
H10	9822-008-003	Screen Assy. (On Pump Models Only)	4	4	4	4
*	9965-006-000	Handle Assy., Screen	1			
*	9545-028-011	Screw, Handle Adjusting	1			
*	9451-169-005	Rivet	1			
*	9206-138-000	Gasket, Screen Sealing	1			
H11	9063-002-000	Bail, Drain Screen Latching	1			
*	9241-159-001	Housing, Drain (Pump)	1			
*	9241-159-002	Housing, Drain (Dump)			1	1
*	9206-086-000	Gasket, Drain Housing	1	1	1	1
H12	9242-344-001	Hose, Housing to Pump	1			
*	9456-039-001	Plug, Cap (For 9241-159-1 Only)	1			
*	9079-039-000	Clamp, Cap Plug and Pump Hose	2			
*	9079-044-000	Clamp, Pump Hose to Pump	1			
*	8654-029-000	Clamp, Drain Hose to Pump Outlet	1			
*	8639-424-000	Screw, Dr. Housing Mtg.	8	8	8	8
*	8641-222-000	Washer, Rubber - Dr. Housing Mtg.	8	8	8	8
*	8640-413-001	Nut, Dr. Housing Mtg.	8	8	8	8
*	9242-425-001	Hose, Hsg. to Dump Valve	1	1	1	1
*	8654-117-008	Clamp, Hose to Dump Valve	1	1	1	1
*	8654-117-011	Clamp, Hose to Dr. Housing	1	1	1	1

\* Not Illustrated



(Figure 4-7)

**TUB, CRADLE AND DRAIN GROUP (Figure 4-8)**

Key	Part Number	Description	MODELS			
			WCA			
			20 K	20 K	20 D	20 K
HH1	9242-175-000	Hose, Pressure Switch				
HH2	8654-059-000	Clamp, Press. Sw. Hose Ret.	1	1	1	1
HH2	9545-008-005	Screw, Clamp	1	1	1	1
*	8654-059-000	Clamp, Press. Sw. Hose to Hsg.	1	1	1	1
HH3	9242-426-001	Hose, Overflow (Dump Models Only)				
HH4	8654-034-000	Clamp, Overflow Hose to Valve		1	1	1
HH5	9985-157-001	Bracket, Dump Valve Mtg.		1	1	1
*	9545-012-005	Screw, Valve and Brkt. Mtg.		2	2	2
*	8640-413-001	Nut, Valve and Brkt. Mtg.		4	4	4
*	8641-582-006	Lockwasher, Valve and Brkt. Mtg.		4	4	4
HH6	9379-173-007	Valve, Dump - N.O. - 120V - 60HZ (Ref. Fig. 4-12)		1		
HH6	9379-173-009	Valve, Dump - N.O. - 230V - 50HZ (Ref. Fig. 4-12)				
HH7	9985-064-001	Spin Sol. Assy. - Interm. - 120V (Ref. Fig. 4-10)			1	1
HH7	9985-064-002	Spin Sol. Assy. - Interm. - 230V (Ref. Fig. 4-10)	1	1		
HH8	9534-151-000	Spring, Belt Tension			1	1
HH9	9985-155-003	Spin Sol. Assy. - Hi-Spd. - 120V (Ref. Fig. 4-10)	1	1	1	1
HH9	9985-155-004	Spin Sol. Assy. - Hi-Spd. - 230V (Ref. Fig. 4-10)	1	1		
HH10	9040-032-000	Belt, Cog-Drive			1	1
HH11	9132-001-001	Dipstick, Oil Checking	1	1	1	1
HH11	9242-427-002	Hose, Filler Tube	1	1	1	1
HH12	9990-012-000	Hose, Overflow (Pump Models Only)	1	1	1	1
HH13	9895-006-000	Stud, Trans. Mounting	1			
HH14	9242-429-001	Hose, Pump Outlet (to coupling)	2	2	2	2
HH15	9088-032-001	Coupling, Pump Hose	1			
HH16	9039-989-001	Bracket, Coupling	1			
*	9242-428-001	Hose, Discharge (Coupling to External)	1			
*	8654-029-001	Clamp, Hoses (At Coupling)	1			
*	9545-008-005	Screw, Brkt. to Cradle	2			
	8641-581-006	Washer	1			
HH17	9456-042-001	Plug, Cap	1	1	1	1

\* Not Illustrated

# COMMERCIAL WASHERS



CYLINDER, TUB BACK AND PULLEY GROUP (Figure 4-9)

MODELS

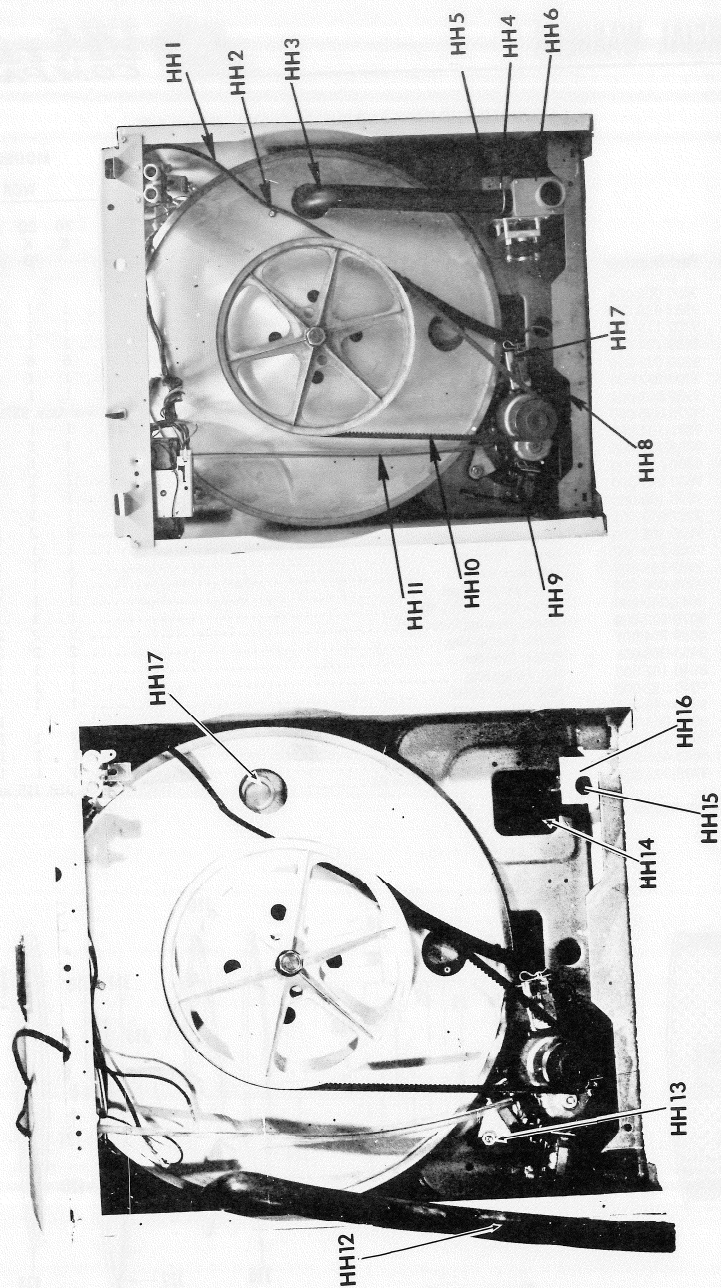
WCA

20 K	20 K D	20 D 21	20 K D 21
---------	--------------	---------------	--------------------

Key	Part Number	Description	20 K	20 K D	20 D 21	20 K D 21	
J1	9850-002-004	Cylinder Assy.	1	1	1	1	
J2	9537-038-000	Shaft, Cylinder	1	1	1	1	
J3	9702-119-000	Seal Kit - (Incl. J4, 5, 6, 7 & 8)	1	1	1	1	
J4	8639-704-001	Screw, Seal Hsg.	1	1	1	1	
J5	9206-071-000	Gasket, Seal Hsg.	6	6	6	6	
J6	9206-072-000	Gasket, Seal Mating Ring	1	1	1	1	
J7	9180-011-001	Mating Ring (Ring Only)	1	1	1	1	
J8	9276-056-000	Seal, Main	(Part of Seal Assy. 9276-056)				
J8	9241-104-000	Housing, Seal	1	1	1	1	
J9	9702-112-000	Tub Back Seal Kit - (Incl. J10, 11, & 12)	1	1	1	1	
J10	9206-294-000	Gasket, Cyl. Shaft - (Copper)	1	1	1	1	
J11	9532-085-000	Seal, Tub Back - (Lip Seal)	1	1	1	1	
J12	9538-108-000	Spacer, Cyl. Shaft	1	1	1	1	
J13	9037-012-000	Bearing, Ball - Tub Back	1	1	1	1	
J14	9538-106-000	Spacer, Bearing	2	2	2	2	
J15	9206-229-002	Gasket, Tub Back	1	1	1	1	
J16	9982-196-007	Tub Back Assy.	1	1	1	1	
J17	9306-006-000	Key, Cylinder Shaft	1	1	1	1	
J18	8641-240-000	Lockwasher, Pulley Mtg.	1	1	1	1	
J19	9079-022-000	Clamp, Bearing Retainer	2	2	2	2	
*	8639-704-001	Screw, Clamp Mtg.	2	2	2	2	
J20	9453-028-001	Pulley, Cylinder	1	1	1	1	
J21	8640-167-000	Nut, Pulley Mtg.	1	1	1	1	
J22	9040-032-000	Belt, Drive - 60HZ	1	1	1	1	
J22	9040-038-000	Belt, Drive - 50HZ	1	1			
J23	9859-003-002	Clamp, Tub Back			1	1	
J24	8639-426-000	Screw, Clamp Ring	1	1	1	1	
J25	8640-400-001	Nut, Clamp Ring	1	1	1	1	
*	9702-092-001	Tub Back Bearing and Seal Kit	1	1	1	1	

\* Not Illustrated

FIGURE 4 - 8



4-13 4-14

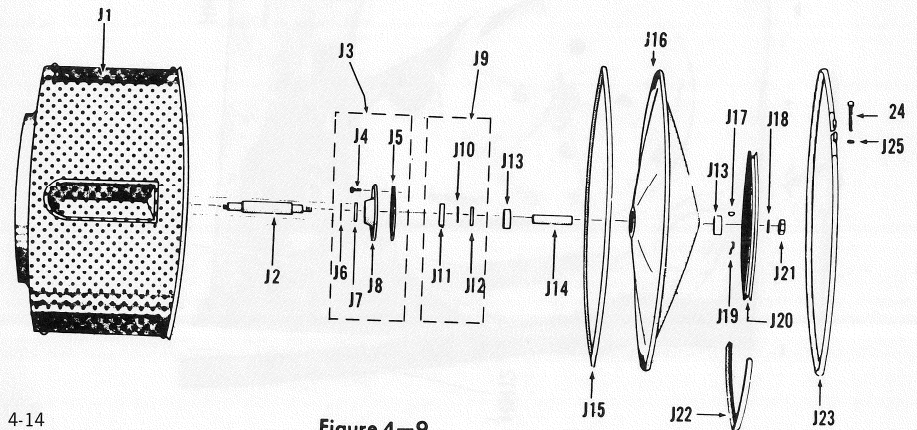


Figure 4-9





## COMMERCIAL WASHERS

### MOTOR AND TRANSMISSION GROUP (Figure 4-10)

Key	Part Number	Description	MODELS							
			WCA							
			20 K	20 K	20 D	20 K	20 D			
						21				
*	9902-141-006	Transmission Assy. - 120V - 60HZ		1						
*	9902-143-008	Transmission Assy. - 120V - 60HZ			1	1				
*	9902-143-009	Transmission Assy. - 230V - 50HZ	1	1						
K1	9914-107-010	Motor and End Bell - 120V - 60HZ			1	1				
K1	9914-107-012	Motor and End Bell - 230V - 50HZ	1	1	1	1				
K2	9879-032-001	End Bell Assy.	2	2	2	2				
K3	8688-003-000	Pin, Dowel	1	1	1	1				
K4	9036-042-000	Bearing, Jack Shaft	1	1	1	1				
K5	9053-012-000	Bushing, Motor Shaft	1	1	1	1				
K6	9532-016-000	Seal, Oil - Motor Shaft	1	1	1	1				
K7	9456-046-001	Plug, Welsh	1	1	1	1				
K8	9206-073-000	Gasket, Welsh Plug	1	1						
K9	9985-064-001	Spin Sol. Assy. - Interm. (120V)		1	1	1				
K9	9985-064-002	Spin Sol. Assy. - Interm. (230V)	1	1	1	1				
K10	8641-262-000	Washer, Shifter Return Spg.	2	2	2	2				
K11	9534-346-001	Spring, Shifter Return	2	2	2	2				
K12	9451-169-005	Pin, Cotter - Link	1	1	1	1				
K13	9341-023-000	Link	1	1	1	1				
K14	9001-022-000	Arm, Rocker	1	1	1	1				
K15	9451-169-006	Pin, Cotter - Arm to Brkt.	2	2	2	2				
K16	9083-107-001	Clip, Hairpin - Sol.	2	2						
K17	9536-007-000	Solenoid, Shifter - 120V			2	2				
K17	9536-043-000	Solenoid, Shifter - 240V	4	4	4	4				
K18	9545-031-008	Screw, Sol. Mtg. (2 ea. assy.)	1	1	1	1				
K19	9039-297-000	Bracket, Interm. Assy.	2	2	2	2				
K20	8649-031-000	Ring, Snap - Rod	2	2	2	2				
K21	9487-026-000	Ring "O" - Rod	1	1	1	1				
K22	9497-007-000	Rod, Shifter, Interm.	2	2	2	2				
*	9545-012-012	Screw, Interm. Spin Assy. to Hsg.	1	1						
K23	9985-155-003	Spin Sol. Assy. - Hi-Spd. (120V)		1	1	1				
K23	9985-155-004	Spin Sol. Assy. - Hi-Spd. (230V)	1	1	1	1				
K24	9497-051-001	Rod, Shifter, Hi-Spd.	1	1	1	1				
K25	9451-166-001	Pin, Pivotal	1	1	1	1				
K26	9348-064-001	Lever, Shifter - Sol. Mtg.	1	1	1	1				
K27	9985-156-001	Bracket Assy. - Hi-Spd.	1	1	1	1				
K28	8023-118-000	Clip, Pivotal Pin	2	2	2	2				
*	9545-012-001	Screw, Hi-Spd. Assy. to Hsg.	1	1	1	1				
K29	9904-027-000	Gear Set Assy. - 3 speed	1	1	1	1				
K30	8641-270-000	Washer, Thrust - Jack Shaft	1	1	1	1				
K31	9487-014-000	Ring, Snap - Jack Shaft	1	1	1	1				
K32	9207-043-000	Gear, Jack Shaft (39 teeth)	4	4	4	4				
K33	9306-007-002	Key, Woodruff	6	6	6	6				
K34	8641-228-000	Washer, "C" - Jack Shaft	1	1	1	1				
K35	9904-005-000	Gear Assy. - Jack Shaft	1	1	1	1				
K36	9534-080-000	Spring, Drive - L.H. Jack Shaft	1	1	1	1				
K37	9535-018-000	Sleeve, Drive	1	1	1	1				
K38	9053-018-000	Bushing, Jack Shaft	1	1	1	1				

\* Not Illustrated

## COMMERCIAL WASHERS



### MOTOR AND TRANSMISSION GROUP (continued) (Figure 4-10)

Key	Part Number	Description	MODELS							
			WCA							
			20 K	20 K	20 D	20 K	20 D			
						21				
K39	8639-423-002	Screw, Clutch Thread	1	1	1	1				
K40	9583-001-000	Thread, Clutch	1	1	1	1				
K41	9534-079-000	Spring, Clutch Drag	1	1	1	1				
K42	9980-002-001	Gear Assy.	1	1	1	1				
K43	9537-041-000	Shaft, Jack	1	1	1	1				
K44	8641-224-000	Washer, Thrust - Jack Shaft	1	1	1	1				
K45	8641-231-000	Washer, Thrust - Drive Pinion	1	1	1	1				
K46	9207-044-000	Pinion, Drive Shaft	1	1	1	1				
*	9487-083-000	Ring, Ret. - Drive Gears	1	1	1	1				
K47	9207-041-000	Gear, Drive (29 teeth)	1	1	1	1				
K48	9904-025-000	Gear Assy. - Drive	1	1	1	1				
K49	9535-029-000	Sleeve, Drive	1	1	1	1				
K50	9534-149-000	Spring, Drive - R.H. - Drive Shaft	1	1	1	1				
K51	9537-066-000	Shaft, Drive	1	1	1	1				
K52	8641-269-000	Washer, Thrust - Drive Shaft	1	1	1	1				
K53	9803-009-001	Housing Assy. - Transmission	1	1	1	1				
K54	8615-104-032	Plug, Pipe	1	1	1	1				
K55	9036-043-000	Bearing, Drive Shaft	1	1	1	1				
K56	9036-042-000	Bearing, Jack Shaft	1	1	1	1				
K57	9532-106-001	Seal Oil - Jack Shaft	1	1	1	1				
K58	9453-033-000	Pulley, Drive - 60HZ	1	1	1	1				
K58	9453-075-000	Pulley, Drive - 50HZ	1	1						
K59	9545-028-013	Screw, Set - Drive Pulley					1	1		
K60	9545-047-001	Screw, Hsg. Mtg. (3/4" Long)	2	2	2	2				
K60	9545-047-002	Screw, Hsg. Mtg. (1/2" Long)	5	5	5	5				
K61	8641-582-011	Lockwasher, Hsg. Mtg.	1	1	1	1				
K62	9535-019-000	Sleeve, Shifter Rod - Interm.	6	6	6	6				
K63	9206-097-000	Gasket, Sleeve - Shifter Rod	1	1	1	1				
K64	9458-002-000	Pipe, Vent and Oil Checking	1	1	1	1				
K65	8651-023-000	Button, Plug - Vent Pipe	2	2	2	2				
K66	Purch. Locally	Sealant, Housing to End Bell	1	1	1	1				
*	9039-696-000	Bracket, Motor Support Rear								
*	9039-988-001	Bracket, Motor Support Front	1	1	1	1				
*	9039-984-001	Bracket, Motor Support Front	1	1						
*	9895-006-000	Stud Assy. - Trans. Mtg.			1	1				
*	8641-582-013	Lockwasher (For 9895-006)	2	2	2	2				
*	8640-416-001	Nut (For 9895-006)	4	4	4	4				
*	8641-340-000	Washer, Spacer Trans. Mtg.	4	4	4	4				
*	9545-006-001	Screw, Motor Mtg. (2-front, 1-rear)	1	1	1	1				
			3	3	3	3				

\* Not Illustrated

# COMMERCIAL WASHERS



WATER PUMP GROUP (Figure 4-11)

MODELS

WCA

20	20	20	20
K	K	D	K
		21	D
			21

Key	Part Number	Description	
*	9702-134-000	Pump Housing Kit	1
M1	9241-108-000	Housing, Pump	1
M2	9532-094-001	Seal, Pump	1
M3	9487-018-000	Ring, "O" - Pump Hsg. Mtg.	1
M4	8639-535-000	Screw - Pump Hsg. Mtg.	2
M5	8641-582-008	Lockwasher - Pump Hsg. Mtg.	2
M6	8641-233-000	Washer - Pump Hsg. Mtg.	2
M7	9278-025-001	Impeller	1
M8	9545-012-007	Screw - Impeller To Mtr. Shaft	1
M9	9532-083-000	Seal - Mating Ring	1
M10	9206-214-000	Gasket, Pump	1
*	9702-133-000	Pump Cover Kit	1
M11	9074-176-000	Cover, Pump	1
M12	9890-002-000	Plunger Assy.	1
M13	9118-007-002	Diaphragm	1
M14	9487-027-000	Ring, Diaphragm Retaining	1
M15	9213-003-000	Gland, Pump	1
M16	9487-191-001	Ring, Snap - Pump Gland	1
M17	9464-019-000	Pivot, Rocker Arm	1
M18	9534-082-000	Spring, Rocker Arm	1
M19	8640-413-001	Nut, Hex - Rocker Arm Pivot Mtg.	1
M20	8641-582-010	Lockwasher (For Item M19)	1
M21	9545-008-007	Screw - Pump Cover To Hsg.	1
M22	8641-581-004	Washer - Pump Cover Mtg. Screw	6
M23	9001-015-000	Arm, Rocker	2
M24	9536-037-000	Solenoid, Pump - 120V	1
M25	8639-859-001	Screw - Solenoid Mtg.	2

\* Not Illustrated

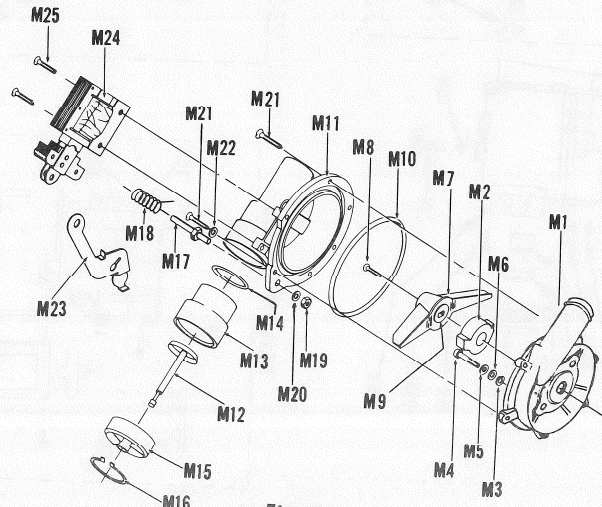


Figure 4-11

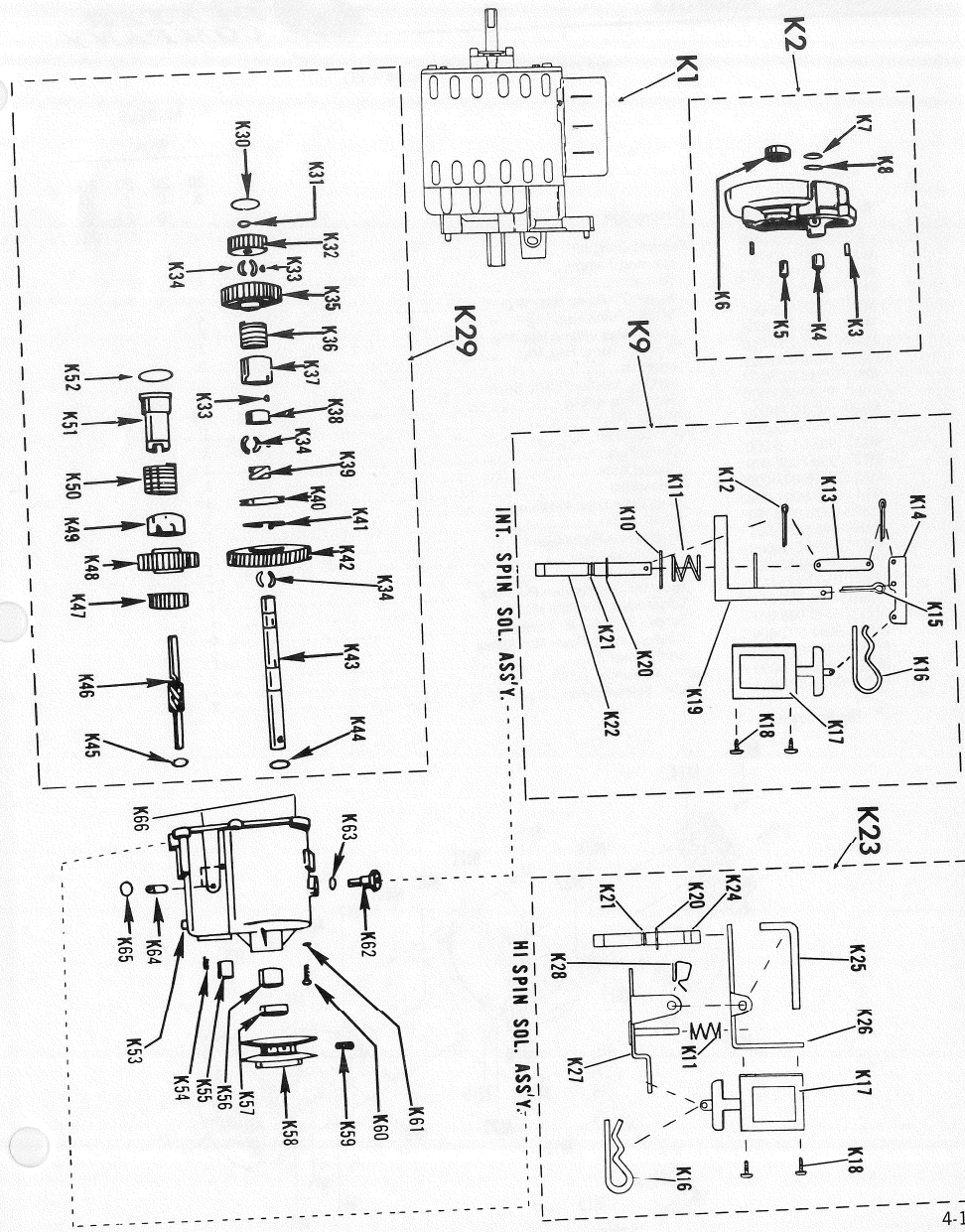
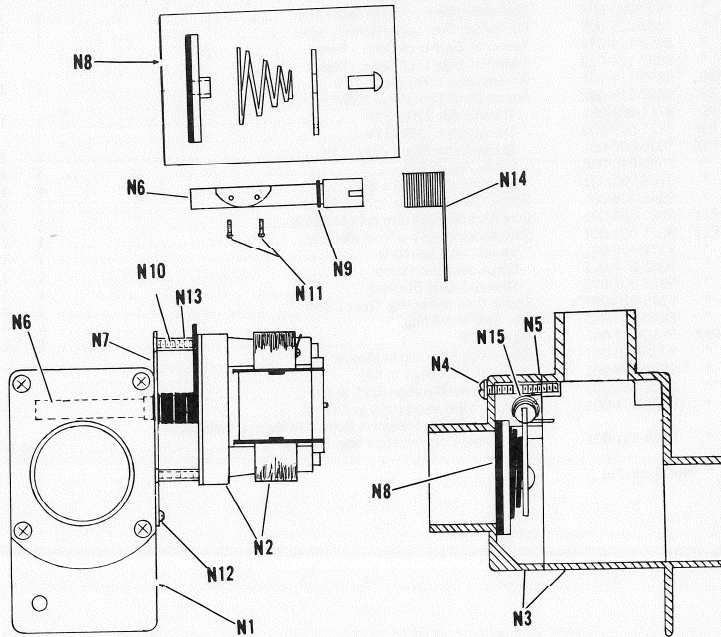


FIGURE 4-10

**GRAVITY DRAIN VALVE GROUP (Figure 4-12)**

Key	Part Number	Description	MODELS			
			WCA			
			20 K	20 K D	20 D 21	20 K D 21
N1	9379-173-007	Valve Assy. - N.O. - 120V - 60HZ - St. Stl.		1	1	
N1	9379-173-009	Valve Assy. - N.O. - 230V - 50-60HZ - St. Stl.		1		1
N2	9914-137-001	Motor and Gear Assy. - 120V - 60HZ		1	1	1
N2	9914-137-005	Motor and Gear Assy. - 230V - 50-60HZ		1	1	1
N3	9064-062-002	Body Assy. (Includes Items N4 and N5)		1	1	1
N4	9545-013-001	Screw, Valve Body		4	4	4
N5	9206-397-001	Gasket, Valve Body		1	1	1
N6	9451-157-002	Pin, Hinge		1	1	1
N7	9452-538-001	Plate, Motor Mtg.		1	1	1
N8	9982-272-003	Plate Assy., Sealing		1	1	1
N9	9532-134-001	Seal, Hinge Pin		4	4	4
N10	8639-994-001	Screw, Motor to Plate		2	2	2
N11	8639-995-001	Screw, Plate to Hinge		3	3	3
N12	8639-997-002	Screw, Motor Plate to Valve		4	4	4
N13	9538-149-001	Spacer, Mtg. Plate		1	1	1
N14	9534-339-001	Spring, Drive		1	1	1
N15	9534-343-001	Spring, Bumper		1	1	1



**Figure 4-12**

**TIMER GROUP (Figure 4-13)**

Key	Part Number	Description	MODELS			
			WCA			
			20 K	20 K D	20 D 21	20 K D 21
P1	9571-351-001	Timer, 120V 60 Cy	1	1		
P1	9571-351-002	Timer, 220V 50 Cy			1	1
P2	9376-286-002	Motor, Timer - Rapid Advance - 120V	1	1		
P2	9376-286-001	Motor, Timer - Rapid Advance - 220V			1	1
P2A	9376-285-002	Motor, Timer - Drive - 120V	1	1		
P2A	9376-285-001	Motor, Timer - Drive - 220V			1	1
*	9207-096-001	Gear, Idler - 33 tooth		1	1	1
*	9531-032-001	Stud, Idler		1	1	1
P3	9039-996-001	Bracket, Timer Mounting	1	1	1	1
P4	9545-012-001	Screw, Timer to Brkt.	1	1	1	1
P5	9545-008-005	Screw, Timer Brkt. to Channel	2	2	2	2
P6	9081-052-001	Channel, Back Support	1	1	1	1
P7	9627-641-001	Harness, Main Wiring	1	1	1	1
*	9627-642-001	Harness, Door Lock	1	1	1	1
*	8683-027-010	Connector, Timer Harness - Black	1	1	1	1
*	8683-027-009	Connector, Timer Harness - White	1	1	1	1
*	8652-124-033	Terminal, Connector - Timer	1	1	1	1
*	8683-027-007	Connector, Door Lock Harness - Fem.	1	1	1	1
*	8683-027-008	Connector, Door Lock Harness - Male	1	1	1	1
*	8652-124-031	Terminal, Door Lock Conn. - Fem.	1	1	1	1
*	8652-124-029	Terminal, Door Lock Conn. - Male				
P8	9857-119-001	Accumulator Complete - 115V	1	1		
P8	9857-119-002	Accumulator Complete - 220V			1	1
P9	8711-003-001	Transformer 120V/12V	1	1		
P9	8711-003-002	Transformer 220V/12V			1	1
P10	9020-002-001	Accumulator Board Only - 12V	1	1	1	1
*	9545-045-006	Screw, Board Mtg.	4	4	4	4
*	9209-085-001	Grommet-Nut, Board Mtg.	4	4	4	4
*	9545-008-001	Screw, Comp. Accum. to Side Panel	2	2	2	2
P11	9021-003-001	Coin Acceptor-25¢ w/o coin blocking	1	1		
P11	9021-001-001	Coin Acceptor-25¢ w/coin blocking	1	1		
*	9539-466-001	Switch, Coin Counting	1	1		
*	9063-004-001	Bail, Coin Return Loop	1	1		
*	9922-007-002	Solenoid, Coin Blocking	1	1		
*	9545-020-002	Screw, Coin Meter Mtg. (Torx Drive)	1	1		
*	8640-355-005	Nut, Coin Meter Mtg.	4	4		
P12	9940-012-001	Chute, Coin	4	4		
*	9732-055-001	Conversion Kit - Coin to Manual Opr.	1	1		
*	9539-464-001	Switch, Start (Incl. in Kit)				
*	9539-465-001	Switch, Acceleration (Incl. in Kit)				
*	8502-604-001	Decal, Instruction (Incl. in Kit)				
*	8545-051-001	(Note: Re-use Fasteners from Coin Meter Conversion) Tool, Driver-Coin Acceptor Mtg. Screws				

(T-9 Torx Drive)

\* Not Illustrated

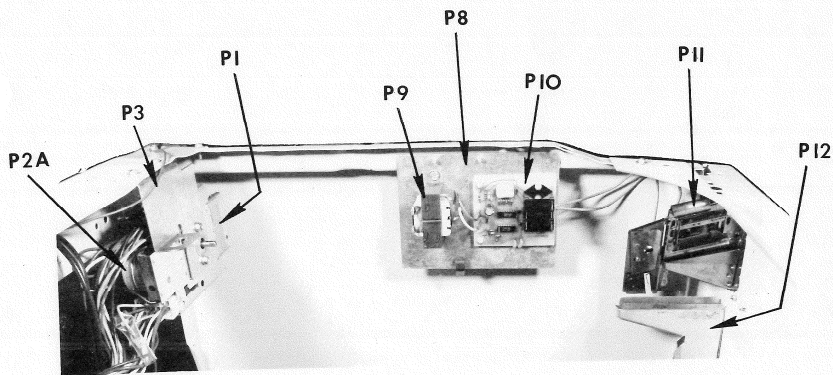
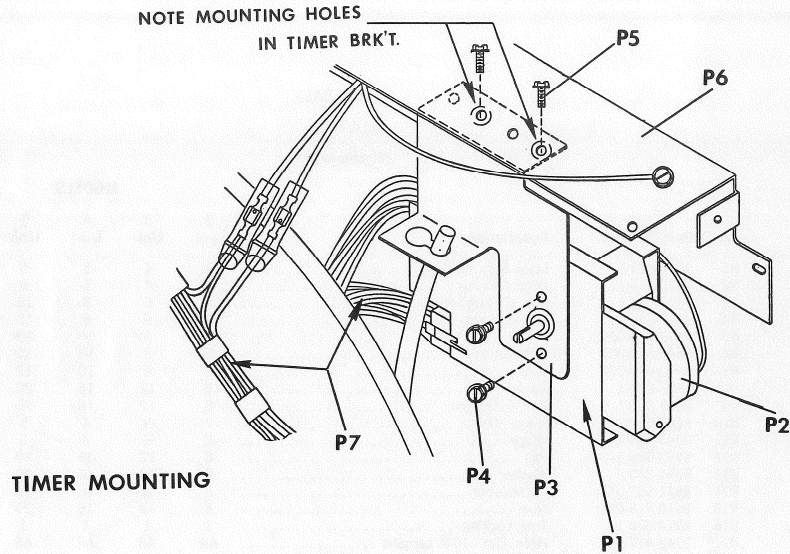


FIGURE 4 - 13

**HI-RISE BASE  
MULTIPLE  
(Figure 4-14)**

Key	Part Number	Description	MODELS				
			2 Unit	3 Unit	4 Unit	5 Unit	6 Unit
R1	9814-021-1	Lever Assy., Locking	3	4	5	6	7
R2	9452-549-1	Plate, Locking	3	4	5	6	7
R3	9497-049-1	Rod, Locking - R. H.	4	6	8	10	12
R4	9497-049-2	Rod, Locking - L. H.	4	6	8	10	12
R5	9545-014-005	Screw	6	8	10	12	14
R6	8641-582-002	Lockwasher	6	8	10	12	14
R7	8640-400-002	Nut	6	8	10	12	14
R8	9896-001-1	Anchor Assy.	8	12	16	20	24
R9	8508-003-1	Bolt, Lockdown	8	12	16	20	24
R10	9243-058-1	Hinge - R. H.	2	3	4	5	6
R11	9243-058-2	Hinge - L. H.	2	3	4	5	6
R12	9455-052-1	Pad	8	12	16	20	24
R13	8641-340	Washer	8	12	16	20	24
R14	8641-582-013	Lockwasher	8	12	16	20	24
R15	8640-416-001	Nut	8	12	16	20	24
R16	9814-022-1	Tool, Locking	1	1	1	1	1
R17*	9242-417-1	Hose, Flex - 10 ft. Lengths	AR	AR	AR	AR	AR

\* Accessory for Dump Model Washers (Dump Valve to Hi-Rise Base.)

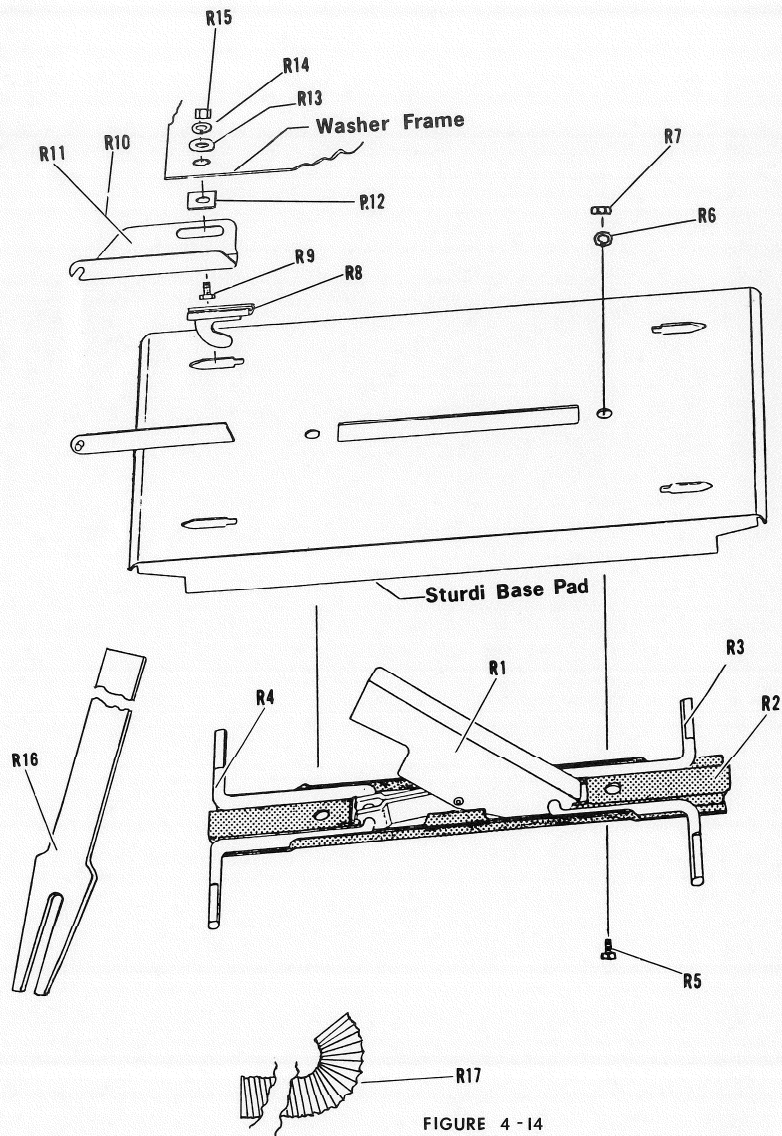


FIGURE 4-14