



DEXTER[®]
LAUNDRY

**USE THE BLUE TABS LOCATED ON THE
RIGHT AND LEFT SIDES OF THE FOLLOWING
DOCUMENT TO ADVANCE TO EACH SECTION.**

O-Series Soft Mount OPL Accessories

WS0675XA-12EO 208-240 Volts 60 Hz Single or Three Phase
 WS0975XA-12EO 208-240 Volts 60 Hz Single Phase or Three Phase

| Key | Description | S-675 | S-975 | QTY |
|-----|---|--------------|--------------|-----|
| * | Hose, Water Supply 5/8" I.D. x 48" | 9990-027-013 | 9990-027-013 | 2 |
| * | Hose, Water Supply 5/8" I.D. x 48" | | 9990-027-011 | 2 |
| * | Rubber Washer, Inlet Hose (furnished) | 8641-242-000 | 8641-242-000 | 2 |
| * | Strainer, Inlet Hose (furnished) | 9565-003-001 | 9565-003-001 | 2 |
| * | Rubber Washer, Inlet Hose (furnished) | 8641-242-000 | 8641-242-000 | 2 |
| * | Strainer, Inlet Hose (furnished) | 9565-003-001 | 9565-003-001 | 2 |
| * | Sealing compound RTV-45 | 8538-151-002 | 8538-151-002 | 1 |
| * | Flow Restrictors (in dispenser) | 9475-002-005 | 9475-002-005 | 2 |
| * | Key Service Lock (6324) | 6292-006-007 | 6292-006-007 | 1 |
| * | USB Thumb Drive W/Operator Booklets all sizes | 9150-045-002 | 9150-045-002 | 1 |
| * | Base Assembly - 1 Place, 6" | 9945-164-001 | 9945-163-001 | 1 |
| * | Leveling Leg | 8544-008-001 | 8544-008-001 | 4 |
| * | Leveling Leg Kit | 9732-361-001 | 9732-361-001 | 1 |



Section 8: Parts Data

WS0675XB-12EO 208-240 Volts 60 Hz Single Phase or Three Phase
 WS0975XB-12EO 208-240 Volts 60 Hz Single Phase or Three Phase

Kits, Assemblies & Common Parts

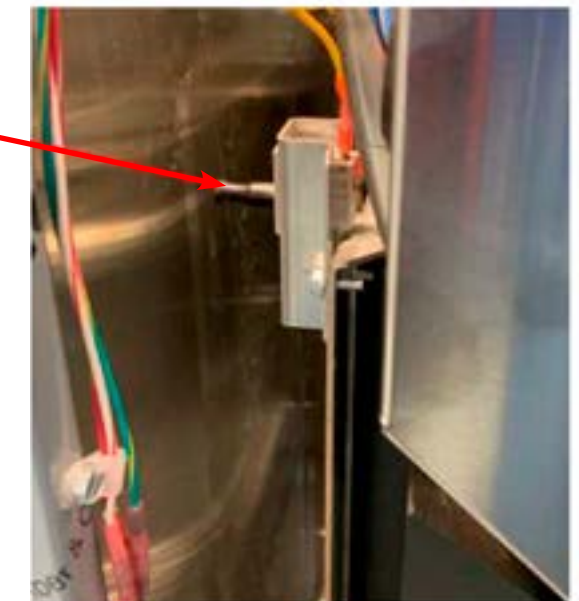
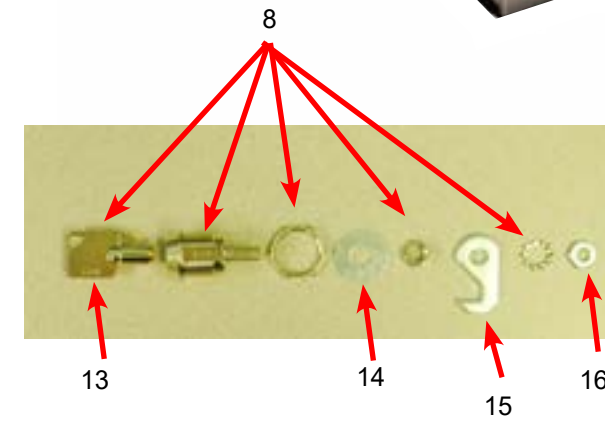
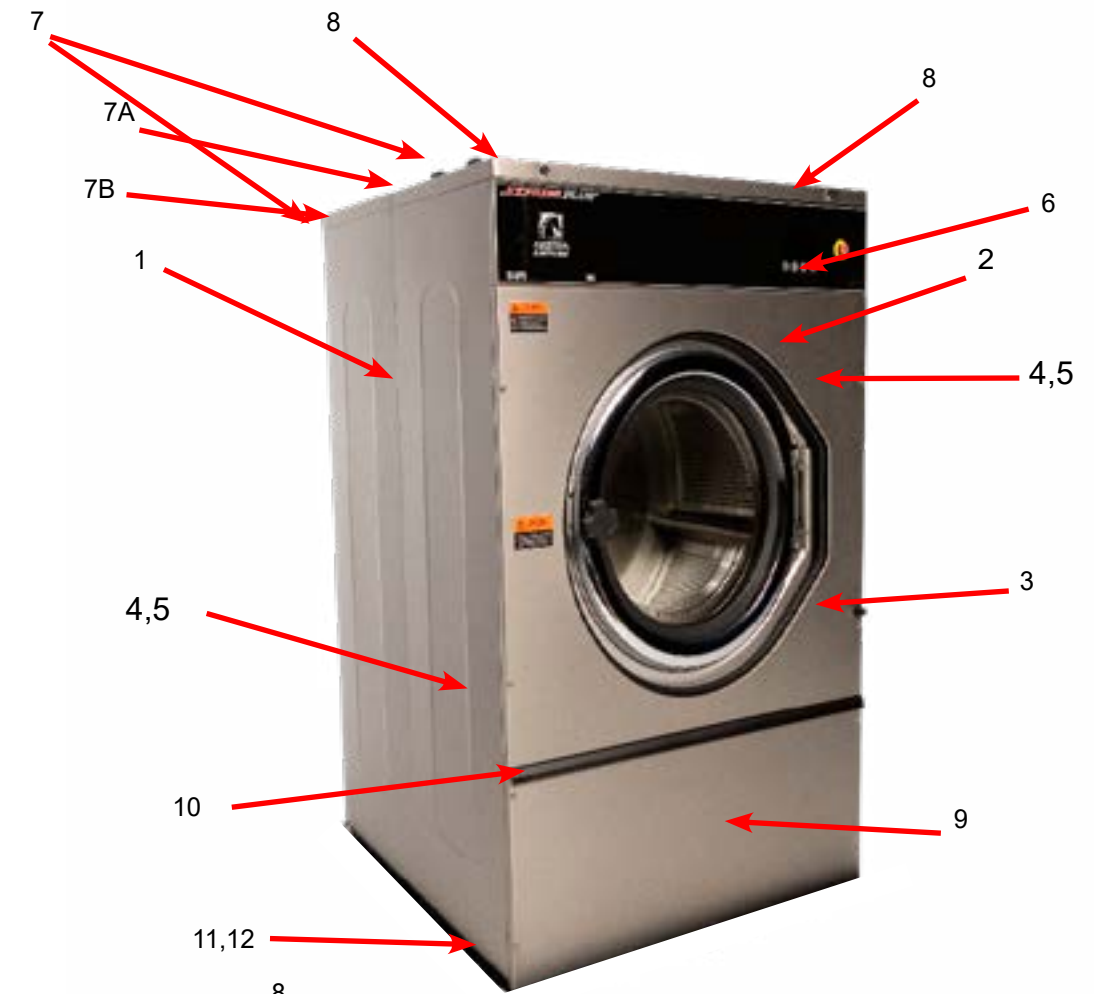
| Description | S-675 | S-975 |
|--------------------------------|--------------|--------------|
| Drain Valve 3" | 9379-204-001 | 9379-204-001 |
| Water Valve (Dual) | 9379-183-012 | 9379-183-012 |
| Water Valve (Single) | 9379-194-001 | 9379-194-001 |
| Diaphragm | 9118-049-003 | 9118-049-003 |
| Cylinder Plug (1.5" Plastic) | 9456-041-007 | 9456-041-007 |
| Water Pressure Sensor Assembly | 9474-007-001 | 9474-007-001 |
| Drive Display | 9150-058-001 | 9150-058-001 |
| Breaking Resistor 160 Ohms | 9483-004-003 | 9483-004-003 |
| Transformer | 8711-017-001 | 8711-017-001 |
| Main Control Board | 9857-230-003 | 9857-230-003 |
| Data Cable | 9806-023-005 | 9806-023-005 |
| Door Lock Assembly | 9885-032-001 | 9885-032-001 |
| Door Handle Only | 9244-096-001 | 9244-096-001 |
| Front Panel Screw | 9545-008-014 | 9545-008-014 |
| Front Panel Finisher Washer | 8641-585-001 | 8641-585-001 |
| Front Panel Expansion Nut | 8641-585-001 | 8641-585-001 |
| Soap Box Screw | 9545-008-012 | 9545-008-012 |
| Soap Box Spring Nut | 8640-399-007 | 8640-399-007 |
| Lock, Top (w/Key) | 8650-012-003 | 8650-012-003 |
| Fuse 1.5amp | 8636-018-001 | 8636-018-001 |
| Fuse 2.0amp | 8636-018-005 | 8636-018-005 |
| Door Glass Gasket | 9206-431-002 | 9206-431-002 |

Wiring Harness Parts Group

| Key | Description | S-675 | S-975 | |
|-----|---------------------------------|--------------|--------------|---|
| * | Cableassy-usb,snapin | 9806-024-001 | 9806-024-001 | 1 |
| * | Cableassy-data,rs485,49" | 9806-023-005 | 9806-023-005 | 1 |
| * | Wiringharness-doorlock/doorsw | 9628-016-002 | 9628-016-001 | 1 |
| * | Wiringharn-pwr/VFD/ps | | 9627-932-003 | 1 |
| * | Wiringharness-15pin,injection | | 9627-935-003 | 1 |
| * | Wiringharness-15pin,non-inj | 9628-011-001 | 9628-011-001 | 1 |
| * | Wireasy-jumper,blk | | 8220-117-002 | 2 |
| * | Wireasy-brn,#21,3" | 8220-057-035 | 8220-057-035 | 1 |
| * | Wireasy-wht,3" | 8220-057-036 | 8220-057-036 | 1 |
| * | Wireasy-jumper,wht/red | 8220-123-002 | | 1 |
| * | Wireasy-jumper,wht/red | | 8220-119-003 | 2 |
| * | Wireasy-red/pnk,8" | | 8220-108-012 | 1 |
| * | Wireasy-red/gry,8" | | 8220-108-013 | 1 |
| * | Wiringharn-ctrl,graph,can,wshr | 9627-922-002 | 9627-922-002 | 1 |
| * | Wiringharness-main, nonhtd | 9628-010-001 | 9628-010-001 | 1 |
| * | Wiringharness-chemical,v2.0wshr | 9627-927-001 | 9627-927-001 | 1 |
| * | Wiringharness, drsw/VFD/stp | 9627-928-004 | 9627-928-004 | 1 |
| * | Wiringharness-cntrl/relay,v2.0 | 9627-921-001 | 9627-921-001 | 2 |
| * | Wiringharness-wps/therm | 9628-017-001 | 9628-017-001 | 1 |
| * | Wiringharness-pwrup,v2.0wshr | 9628-012-001 | 9628-012-001 | 1 |
| * | Wireasy-jumper,v2.0,relaypcb | 8220-159-005 | 8220-159-005 | 1 |
| * | Wireasy-jumper,v2.0,relaypcb | 8220-159-006 | 8220-159-006 | 1 |
| * | Wireasy-wht/org,17 1/2" | 8220-062-053 | 8220-062-053 | 1 |
| * | Wireasy-org,17" | 8220-062-052 | 8220-062-052 | 1 |
| * | Wiring harness-drkrelay | 9628-013-001 | 9628-013-001 | 1 |
| * | Wiring Harness - rebal, input | 9628-014-001 | 9628-014-001 | 1 |
| * | Wiring harness, maxdispsto | 9628-015-001 | 9628-015-001 | 1 |
| * | Wireasy-2.0,s675 | 8220-158-034 | | 1 |

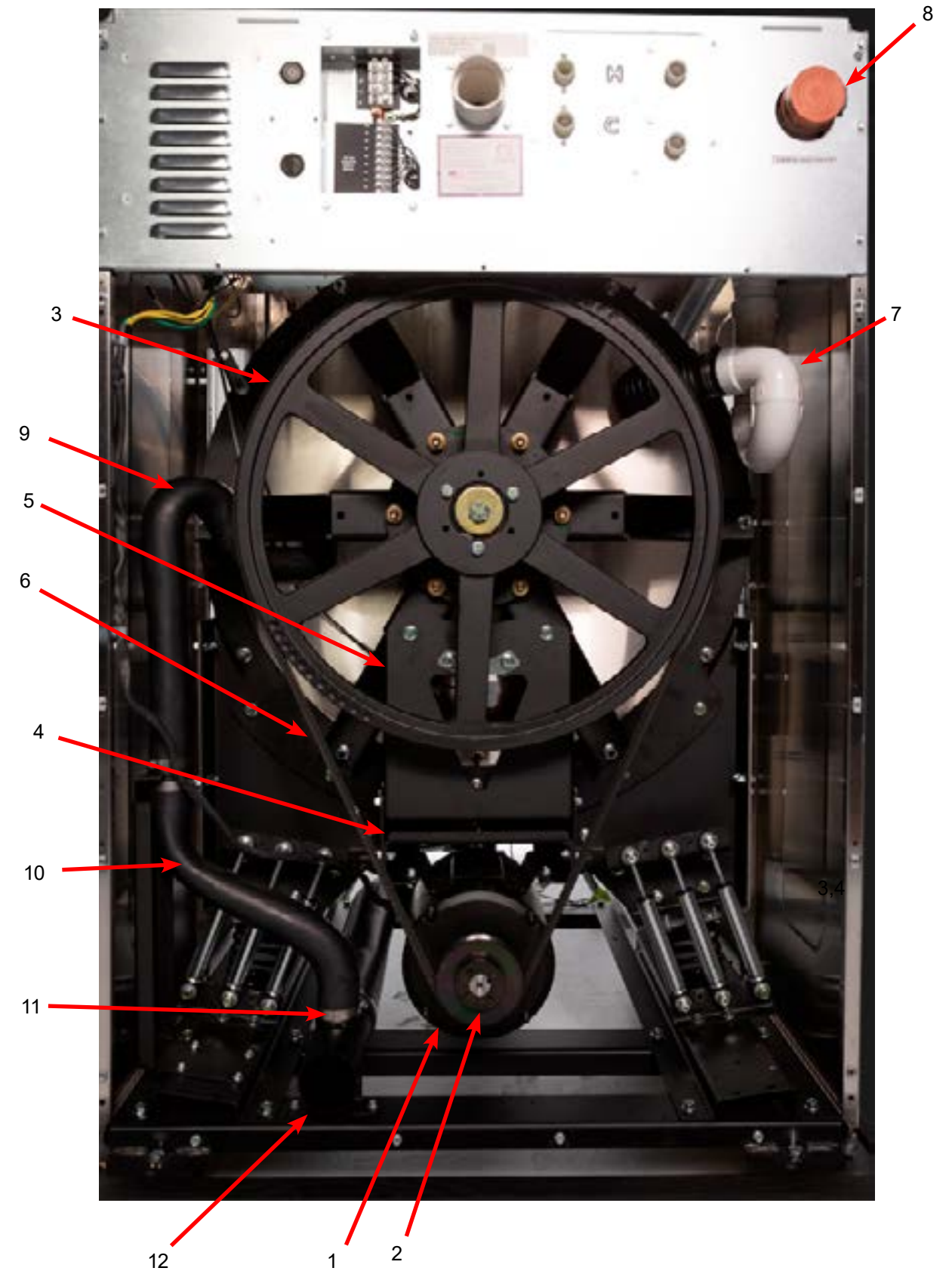
Cabinet and Front Panel Group Parts Group

| Key | Description | S-675 | S-975 | Qty |
|-----|---------------------------------------|--------------|--------------|-----|
| 1 | Panel, Side Right - stainless | 9989-713-001 | 9989-707-001 | 1 |
| 1 | Panel, Side Left - stainless | 9989-713-002 | 9989-707-002 | 1 |
| * | Bolt-1/4-20x1/2 (side panel to baser) | 9545-018-013 | 9545-018-013 | 8 |
| 2 | Panel Assy, Front | 9989-712-001 | 9989-706-001 | 1 |
| * | Trim Edge Protector | 9578-105-003 | 9578-105-002 | 1 |
| 3 | Bumper Loading Door | 9051-055-001 | 9051-055-001 | 1 |
| * | Nut, 1/4 x 20 for bumper | 8640-414-003 | 8640-414-003 | 1 |
| * | Screw, #10B x 1/2 | 9545-008-026 | 9545-008-026 | 12 |
| * | Nut, Expansion- To Control Panel | 8640-442-001 | 8640-442-001 | 2 |
| 4 | Screw, Flat Head- Front to Sides | 9545-008-014 | 9545-008-014 | 4 |
| 5 | Washer, Finish | 8641-585-001 | 8641-585-001 | 4 |
| * | Nut, Expansion-To Front Panel | 8640-442-001 | 8640-442-001 | 12 |
| * | Label, Door Opening (Black) | 8502-788-001 | 8502-757-001 | 1 |
| * | Panel, Control (Mounts Nameplate) | 9989-715-001 | 9989-708-001 | 1 |
| * | Screw, Control Panel to Sides | 9545-008-026 | 9545-008-026 | 6 |
| 6 | Nameplate Decal, Control Black | 9412-263-001 | 9412-262-001 | 1 |
| 7A | Panel Top Front | | 9989-704-001 | 1 |
| 7B | Panel Top Rear | | 9444-081-001 | 1 |
| 7 | Top Panel (One Piece) | 9444-133-001 | 9444-132-001 | 1 |
| 8 | Lock, Top (w/Key) | 8650-012-003 | 8650-012-003 | 1 |
| * | Lock Spacer | 9538-139-001 | 9538-139-001 | 1 |
| 9 | Door, Lower Service, Includes Handle | 9960-286-012 | 9960-286-001 | 1 |
| 10 | Handle (bumper guard) | 9244-086-008 | 9244-086-007 | 1 |
| * | Rivet Blind 3/16" Alum | 9491-009-003 | 9491-009-003 | 4 |
| 11 | Screw Mtg., Flat Head 10Bx1 3/4 | 9545-008-014 | 9545-008-014 | 4 |
| 12 | Washer, Finish | 8641-585-001 | 8641-585-001 | 4 |
| 13 | Key, Top- # 6324 | 6292-006-007 | 6292-006-007 | 2 |
| 14 | Washer Flat 5/16 | 8641-581-008 | 8641-581-008 | 2 |
| 15 | Cam, Lock-Top | 9095-049-001 | 9095-049-001 | 2 |
| 16 | Nut, 7mm x 1.0 Hex | 8640-426-001 | 8640-426-001 | 1 |
| 17 | Switch, Max Displacement | 9539-487-002 | 9539-487-002 | 1 |



Rear View Access Parts Group

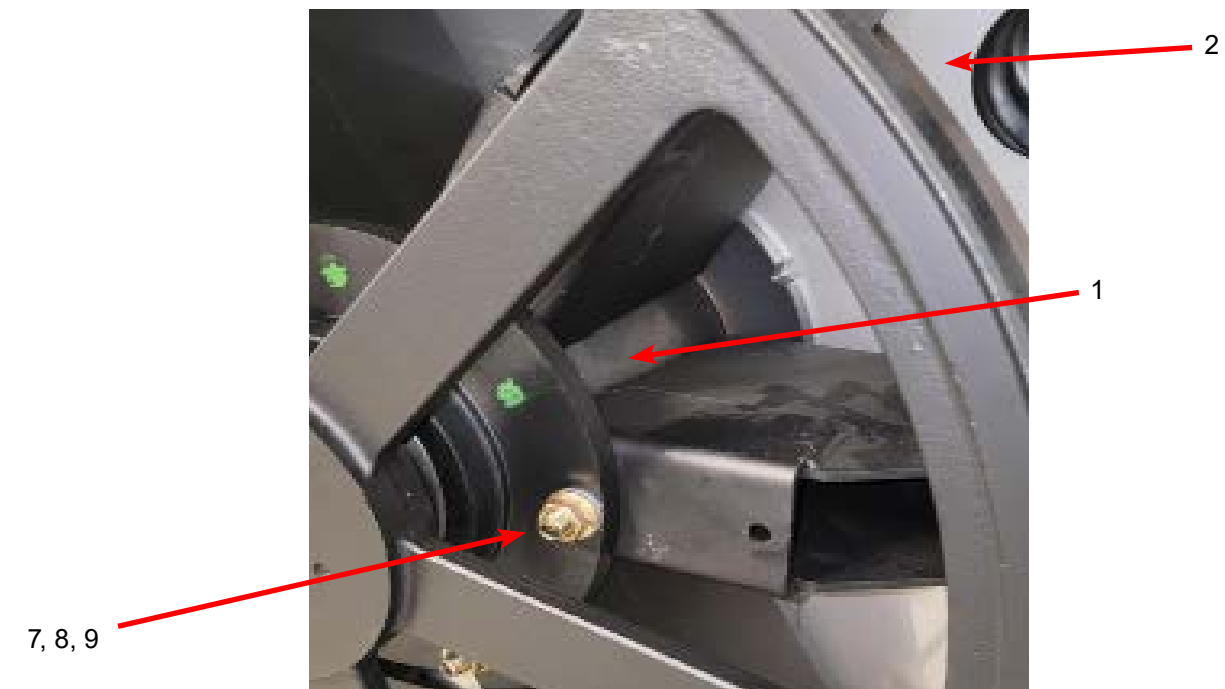
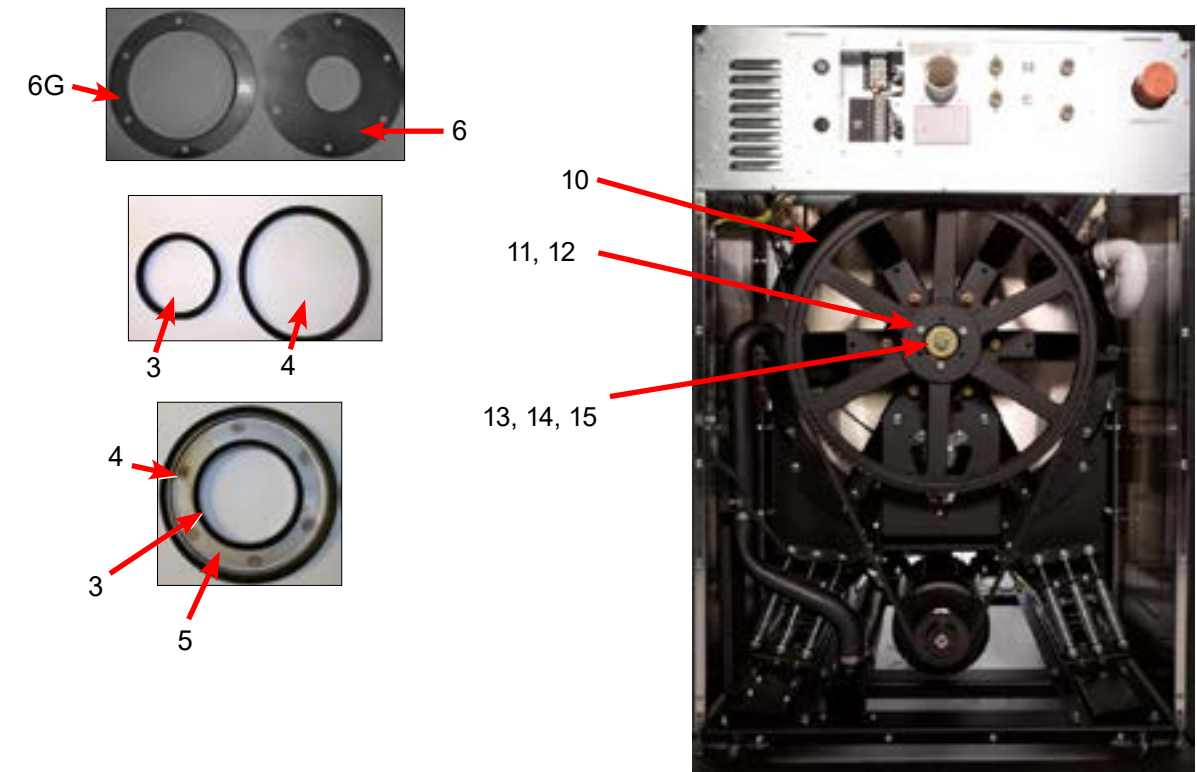
| Key | Description | S-675 | S-975 | |
|-----|-----------------------------------|--------------|--------------|----|
| 1 | Drive Motor | 9376-338-001 | 9376-326-003 | 1 |
| 2 | Pulley, Motor | 9453-193-001 | 9453-190-001 | 1 |
| * | Set Screw | 9545-014-007 | 9545-014-015 | 1 |
| * | Nut | 8640-400-002 | 8640-400-002 | 1 |
| * | Split TaperBushing (motor pulley) | 9053-077-001 | 9053-077-001 | 1 |
| * | Screw taper bushing 1/4-20x1 | 9545-018-024 | 9545-018-024 | 3 |
| 3 | Pulley, Driven | 9453-168-006 | 9453-176-006 | 1 |
| 4 | Bracket-Motor, Hang | 9029-358-002 | 9029-345-002 | 1 |
| * | Screw 3/8-16 3/4 | 9545-029-015 | 9545-029-015 | 16 |
| * | Nut 3/8-16 | 8640-415-004 | 8640-415-004 | 16 |
| 5 | Bracket-Motor Support | 9985-215-002 | 9985-212-002 | 1 |
| * | Screw 3/8"-16 x 2" | | 9545-029-011 | 3 |
| * | Washer, 3/8" | | 8641-582-003 | 3 |
| * | Screw 3/8"-16 x 2" | 9545-029-011 | | 2 |
| * | Washer, 3/8" | 8641-582-003 | | 2 |
| 6 | Drive Belt | 9040-079-010 | 9040-079-006 | 1 |
| * | Screw 1/2-6X3 1/2 | 9545-017-015 | 9545-017-015 | 4 |
| * | Washer, Flat 1/2 | 8641-581-001 | 8641-581-001 | 4 |
| * | Panel Assy., Back, Lower | 9444-089-001 | 9444-082-001 | 1 |
| * | Panel Assy., Back, Upper | 9444-090-001 | 9444-083-001 | 1 |
| * | Screw Panel Mtg.#10Bx1/2" | 9545-008-026 | 9545-008-026 | AR |
| * | Nut, Expansion | 8640-442-001 | 8640-442-001 | AR |
| * | Screw, To Base-1/4" x 3/4" | 9545-030-002 | 9545-030-002 | 4 |
| 7 | Injection assy | 9883-017-001 | 9883-016-001 | 1 |
| * | Hose, Injection Tube to Tub | 9242-473-001 | 9242-473-001 | 1 |
| * | Clamp, Injection Hose | 8654-117-014 | 8654-117-014 | 2 |
| 8 | Cap-injectorassembly | 0935-127-001 | 0935-127-001 | 1 |
| * | Clamp-hose | | 8654-117-017 | 2 |
| * | Clamp-hose | 8654-117-015 | 8654-117-015 | 2 |
| * | Clamp-hose | 8654-117-009 | | 1 |
| 9 | Hose-Overflow Upper | 9242-477-001 | 9242-471-001 | 1 |
| * | Tube Assy-Overflow | 9915-136-002 | 9915-136-002 | 1 |
| 10 | Hose-Overflow Lower | 9242-475-001 | 9242-475-001 | 1 |
| 11 | Clamp-Hose Over Flow | 8654-117-014 | 8654-117-014 | 4 |
| * | Bracket-Overflow Hose | 9029-351-001 | 9029-351-001 | 1 |
| 12 | Drain Tube Assembly | 9915-134-002 | 9915-134-002 | 1 |



Cylinder, Seals & Bearings Parts Group

| Key | Description | S-675 | S-975 | |
|-----|--|--------------|--------------|----|
| 1 | Housing, Bearing- Assembly (items #2-#6) | 9803-186-001 | 9803-231-001 | 1 |
| * | Housing, Bearing | 9241-180-002 | 9241-208-002 | 1 |
| * | Bearing, Front (LARGE) | 9036-159-005 | 9036-159-006 | 1 |
| * | Bearing, Rear (SMALL) | 9036-159-004 | 9036-159-005 | 1 |
| * | Spacer, Bearing | 9538-167-001 | 9538-190-001 | 1 |
| * | Ring, Bearing Retainer | 9487-238-003 | 9487-238-004 | 1 |
| 2 | Tub Assembly | 9930-189-001 | 9930-188-001 | 1 |
| 3 | Seal, Small | 9532-140-006 | 9532-140-007 | 1 |
| 4 | Seal, Large | 9532-140-009 | 9532-140-008 | 1 |
| 5 | Ring Assy, Seal Mounting | 9950-048-001 | 9950-052-001 | 1 |
| 6G | Ring-Seal Tub Back | 9487-291-001 | 9487-295-001 | 1 |
| 6 | Ring-Seal Mating | 9487-261-003 | 9487-261-006 | 1 |
| * | Bolt, Tub End of Bearing Housing, Bolt from inside Tub | 9545-060-001 | 9545-060-004 | 6 |
| * | Nut, Hex | 8640-425-001 | 8640-425-001 | 6 |
| 7 | Screw-Hex Cap, (Bearing Housing to Spider Assy) | 9545-060-001 | 9545-067-001 | 6 |
| 8 | Washers Interlocking (Bearing Housing to Spider Assy) | 8641-591-002 | 8641-591-001 | 12 |
| 9 | Nut 1/2-20 (Bearing Housing to Spider Assy) | 8640-425-001 | 8640-443-001 | 6 |
| 10 | Pulley, Driven | 9453-168-006 | 9453-176-006 | 1 |
| 11 | Bolt, 3/8"-16 x 2" | | 9545-029-011 | 3 |
| 12 | Washer, 3/8" | | 8641-582-003 | 3 |
| 11 | Bolt, 3/8"-16 x 2" | 9545-029-011 | | 2 |
| 12 | Washer, 3/8" | 8641-582-003 | | 2 |
| * | Bushing Taperlock | | 9053-078-002 | 1 |
| 13 | Washer-Flat .675x2-1/2x1/4 | | 8641-581-043 | 1 |
| 14 | Lockwasher-Exttooth, 5/8 | | 8641-582-018 | 1 |
| 15 | Bolt, 5/8-11x1 1/2 | 9545-060-001 | 9545-060-001 | 1 |
| * | Tub & Cylinder Assy | 9869-048-001 | 9869-022-001 | 1 |

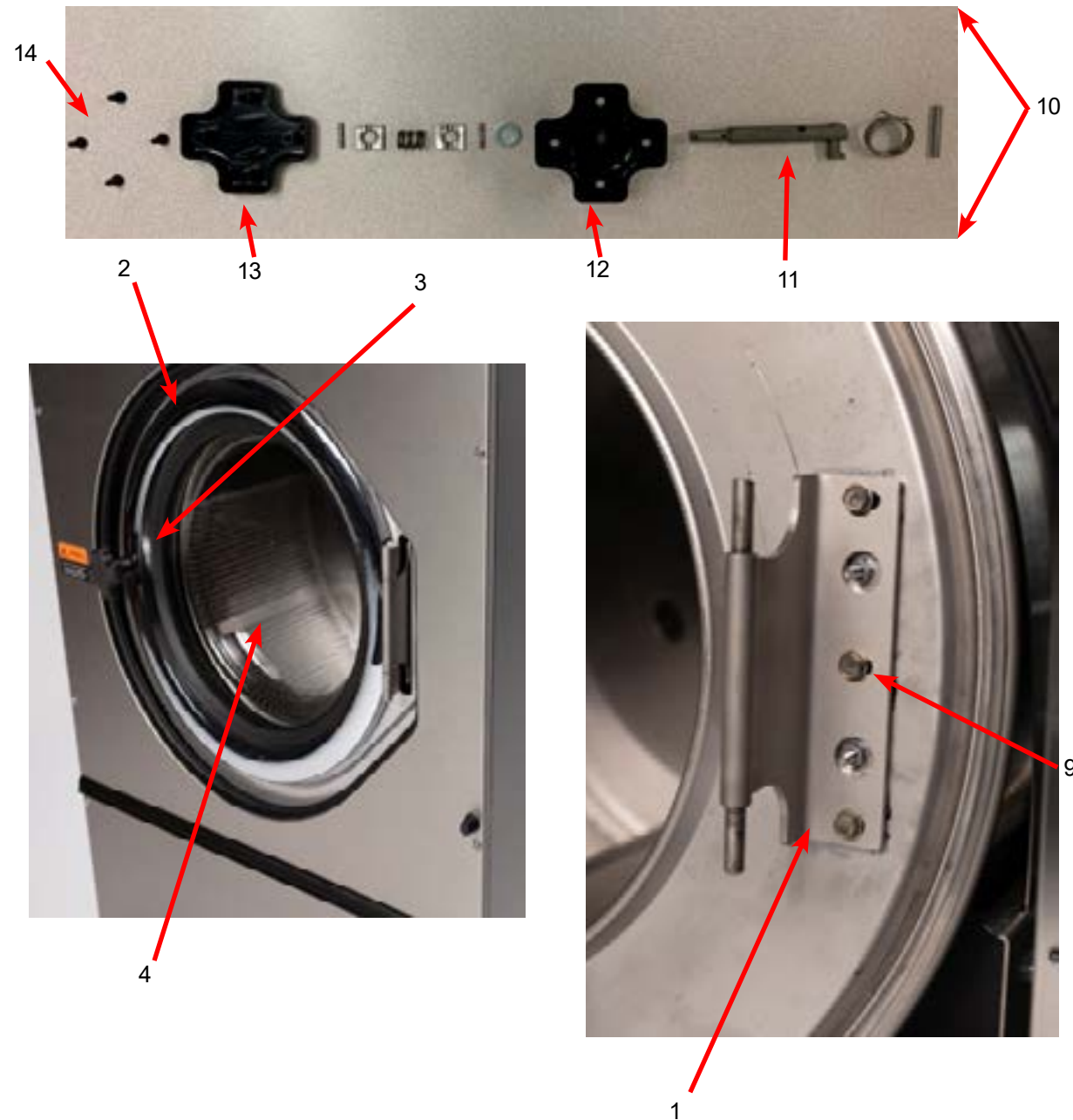
NOTE: Interlocking Washers are ONE-time use.



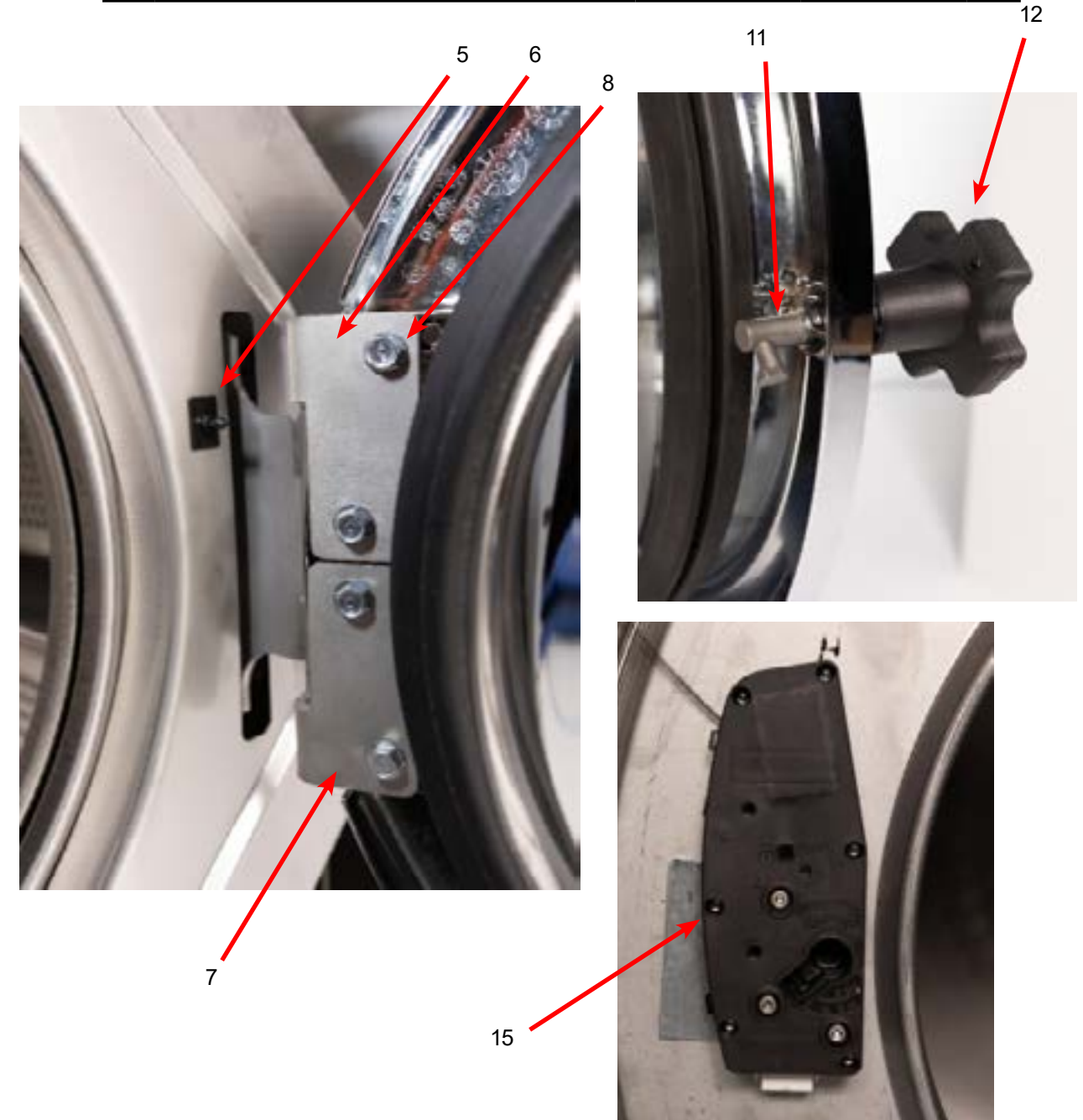
| Key | Description | S-675 | S-975 | |
|-----|---------------------------------------|--------------|--------------|---|
| * | Cylinder Assy | 9848-168-001 | 9848-173-001 | 1 |
| * | Tub Front | 9974-024-001 | 9974-022-001 | 1 |
| * | Gasket, Tub Front | 9206-421-004 | 9206-421-002 | 1 |
| * | Ring Assy, Tub Mtg-Front Clamp | 9950-063-001 | 9950-055-001 | 1 |
| * | Bolt, Top Front Ring 3/8"-16 x 3 1/2" | 9545-029-009 | 9545-029-009 | 1 |
| * | Nut 3/8"-16 | 8640-415-001 | 8640-415-001 | 1 |

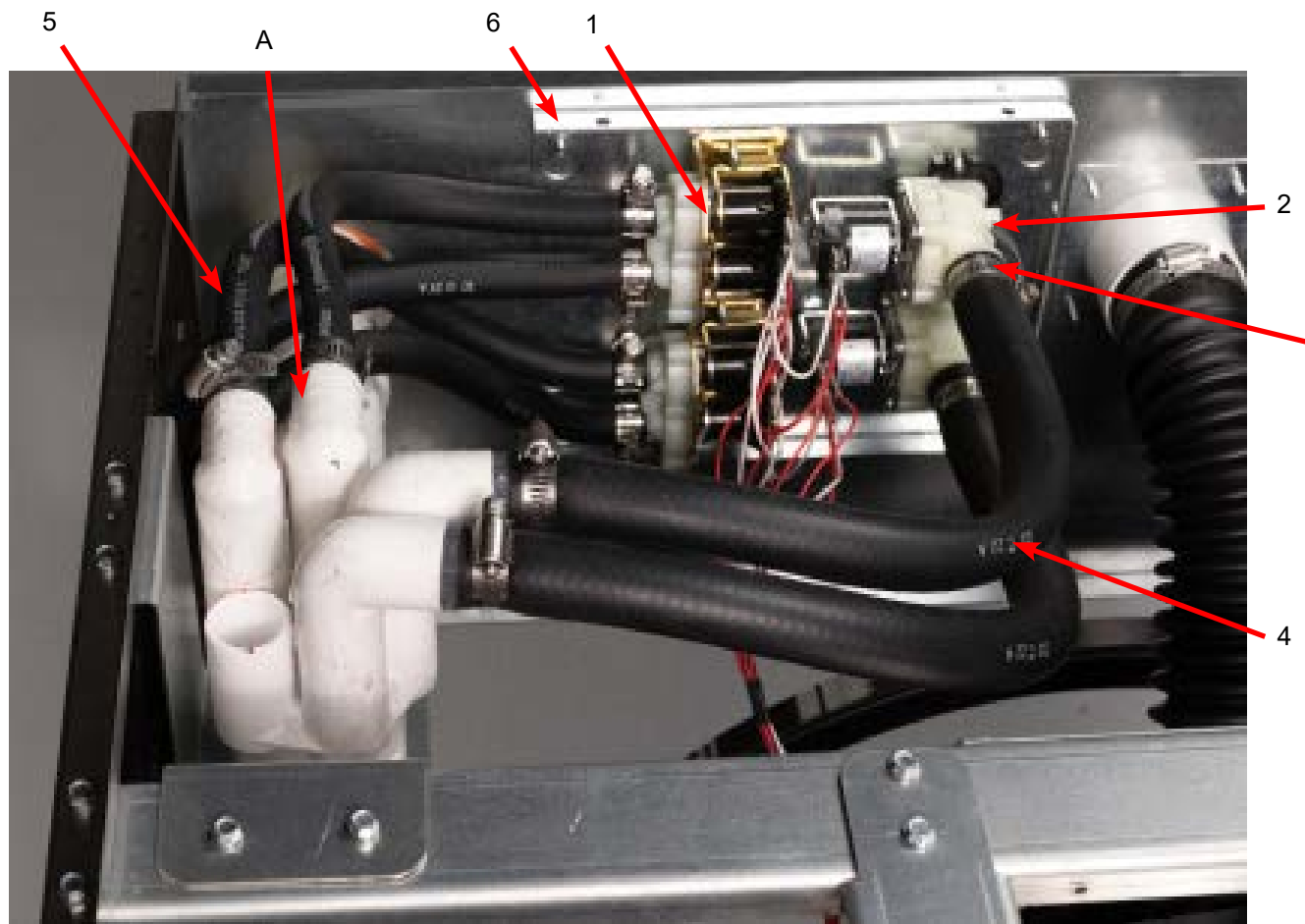
Loading Door, Hinge, & Door Lock Parts Group

| Key | Description | S-675 | S-975 | QTY |
|-----|---|--------------|--------------|-----|
| 1 | Door Hinge Assembly (mounts to tub front) | 9955-033-001 | 9955-032-001 | 1 |
| * | Door Assembly, Complete | 9960-341-001 | 9960-336-001 | 1 |
| 2 | Door Ring | 9487-265-002 | 9487-275-001 | 1 |
| 3 | Door Gasket | 9206-419-002 | 9206-431-002 | 1 |
| * | Sealing compound RTV-45 | 8538-151-002 | 8538-151-002 | 1 |
| 4 | Door Glass Window | 9635-016-001 | 9635-020-001 | 1 |
| 5 | Switch, Door Hinge Close (Plunger) | 9539-501-001 | 9539-501-001 | 1 |
| 6 | Top Door Hinge Leaf | 9845-011-001 | 9845-009-001 | 1 |
| 7 | Bottom Door Hinge Leaf | 9845-012-001 | 9845-010-001 | 1 |
| 8 | Screw, Door Hinge Leaf Mtg | 9545-056-002 | 9545-056-002 | 4 |
| 9 | Screw, Loading Door Hinge Mtg - 5/16-18 x 3/4 | 9545-014-009 | 9545-014-009 | 3 |
| * | Lockwasher | 8641-582-009 | 8641-582-009 | 3 |
| * | Shim-loading door hinge | 9552-036-001 | 9552-043-001 | 2 |



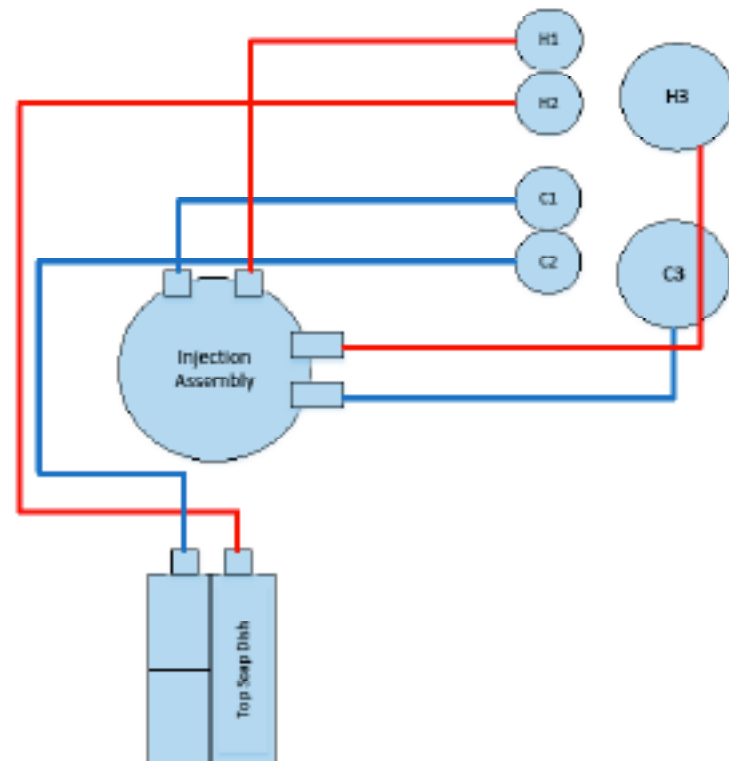
| Key | Description | S-675 | S-975 | Qty |
|-----|---|--------------|--------------|-----|
| 10 | Door Handle Assembly (includes parts 10-11) | 9965-028-001 | 9965-028-001 | 1 |
| 11 | Door Lock Shaft Assembly | 9913-137-001 | 9913-137-001 | 1 |
| * | Pin-Handle Clutch | 9451-203-001 | 9451-203-001 | 2 |
| * | Disc-Clutch, Handle | 9116-039-001 | 9116-039-001 | 2 |
| * | Spring-Clutch, Handle | 9534-370-001 | 9534-370-001 | 1 |
| * | Washer, Flat | 8641-581-009 | 8641-581-009 | 1 |
| 12 | Handle, Door | 9244-096-001 | 9244-096-001 | 1 |
| * | Pin, Door Handle | 9451-181-009 | 9451-181-009 | 1 |
| * | Spring-Door Handle Return | 9534-371-001 | 9534-371-001 | 1 |
| 13 | Cover, Door Handle | 9074-396-001 | 9074-396-001 | 1 |
| 14 | Screw, Door Handle Cover | 9545-008-038 | 9545-008-038 | 4 |
| 15 | Door Lock Assembly | 9885-032-001 | 9885-032-001 | 1 |
| * | Shim-Door Lock | 9552-051-001 | 9552-051-001 | 3 |



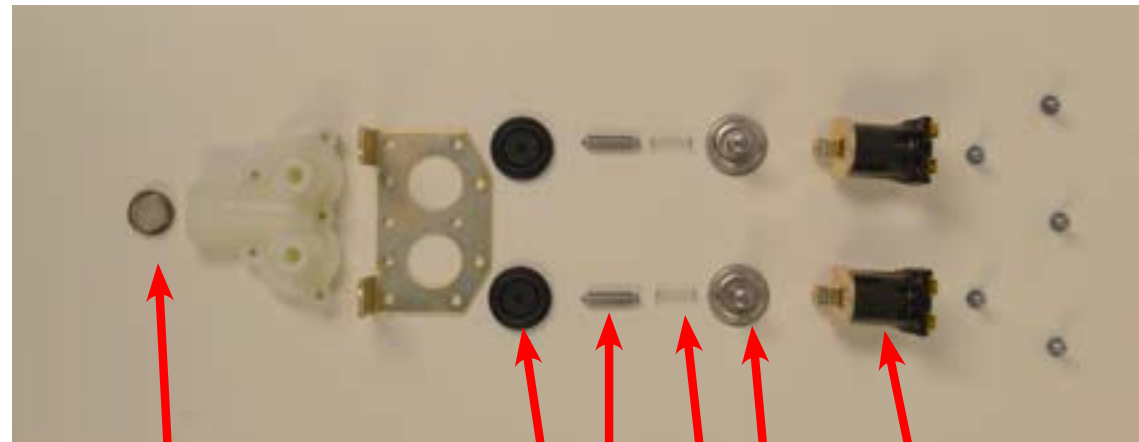


Water Inlet Parts Group

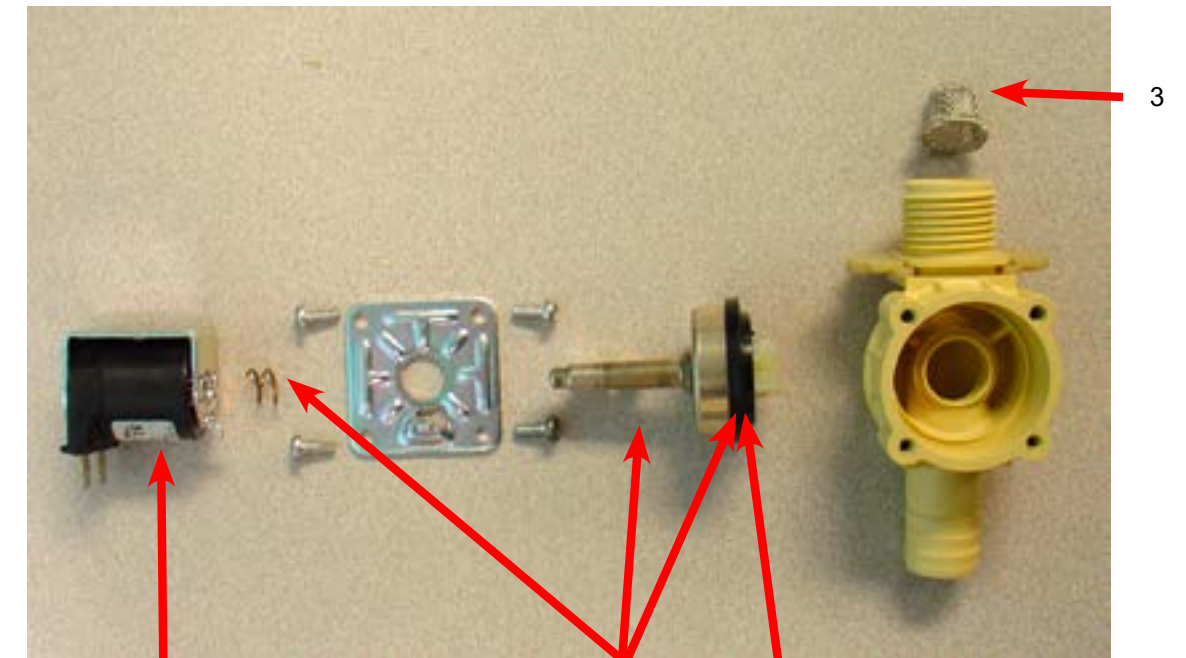
| Key | Description | S-675 | S-975 | Qty |
|-----|--|--------------|--------------|-----|
| A | Injector Assembly | 9883-017-001 | 9883-016-001 | 1 |
| 1 | Valve, Water Inlet (dual outlet) (see Water Inlet Valve Break-down for individual parts) | 9379-183-012 | 9379-183-012 | 2 |
| * | Screw, Valve Mtg | 9545-008-026 | 9545-008-026 | 4 |
| 2 | Valve Water Inlet (single outlet) | | 9379-194-001 | 2 |
| * | Screw, Valve M4x0.7x8mm | | 9545-064-001 | 4 |
| 3 | Clamp-Water Valves | 8654-117-015 | 8654-117-015 | AR |
| * | Shield over Water Valves Plastic | 9550-194-001 | 9550-195-001 | 1 |
| * | Clip-Push | 9083-121-001 | 9083-121-001 | 3 |
| * | Flow resistor | 9475-002-005 | 9475-002-005 | 4 |
| 4 | 1/2 inch hose, cut to length | 9242-453-001 | 9242-453-001 | AR |
| 5 | 7/8 inch hose, cut to length | | 9242-466-001 | AR |
| 6 | Plate-Water Valves, Mounting | 9452-864-001 | 9452-862-001 | 1 |



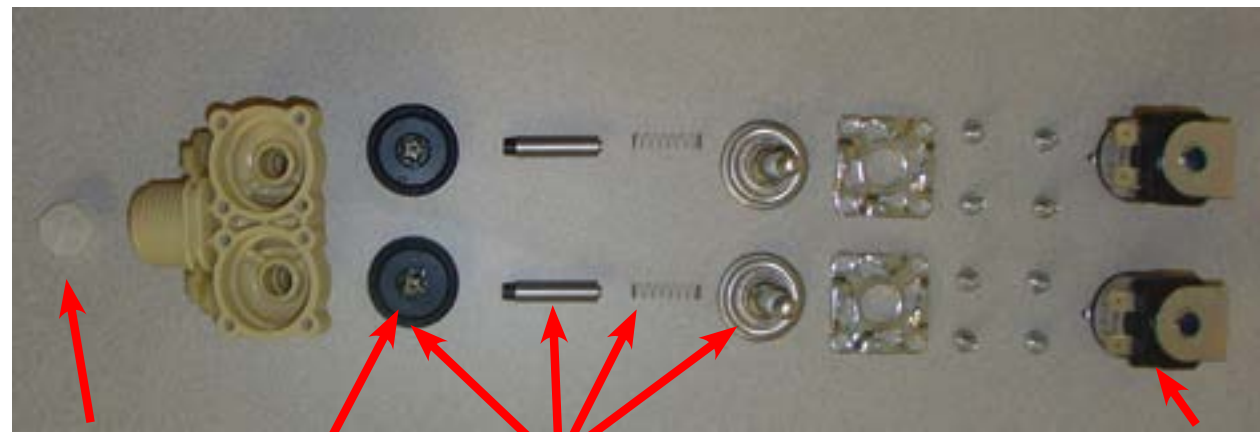
Water Inlet Valve Breakdown



| Key | Description | S-675 | S-975 | Qty |
|-----|--|--------------|--------------|-----|
| * | Valve, Water Inlet (includes 1 thru 6) | 9379-183-012 | 9379-183-012 | 2 |
| 1 | Screen, Inlet end of valve | 9555-056-001 | 9555-056-001 | 2 |
| 2 | Coil Assy., 120 V Invensys | 9089-017-001 | 9089-017-001 | 2 |
| * | Diaphragm Invensys (EPDM) | 9118-049-001 | 9118-049-001 | 2 |
| * | Diaphragm Invensys (Viton) | 9118-049-002 | 9118-049-002 | 2 |
| 3 | Diaphragm Invensys (EPDM NSF) | 9118-049-003 | 9118-049-003 | 2 |
| 4 | Guide, Solenoid Invensys | 9211-021-002 | 9211-021-002 | 2 |
| 5 | Armature Invensys | 9015-008-001 | 9015-008-001 | 2 |
| 6 | Spring, Armature Invensys | 9534-298-001 | 9534-298-001 | 2 |



| Key | Description | S-675 | S-975 | QTY |
|-----|-------------------------------------|-------|--------------|-----|
| * | Single Coil Water Valve Mueller | | 9379-194-001 | 1 |
| 1 | Valve Water Body Complete (no coil) | | 9379-194-002 | 1 |
| 2 | Diaphragm Mueller | | 9118-055-001 | 1 |
| 3 | Filter Mueller | | 9183-046-001 | 1 |
| 4 | Coil Mueller | | 9089-051-001 | 1 |

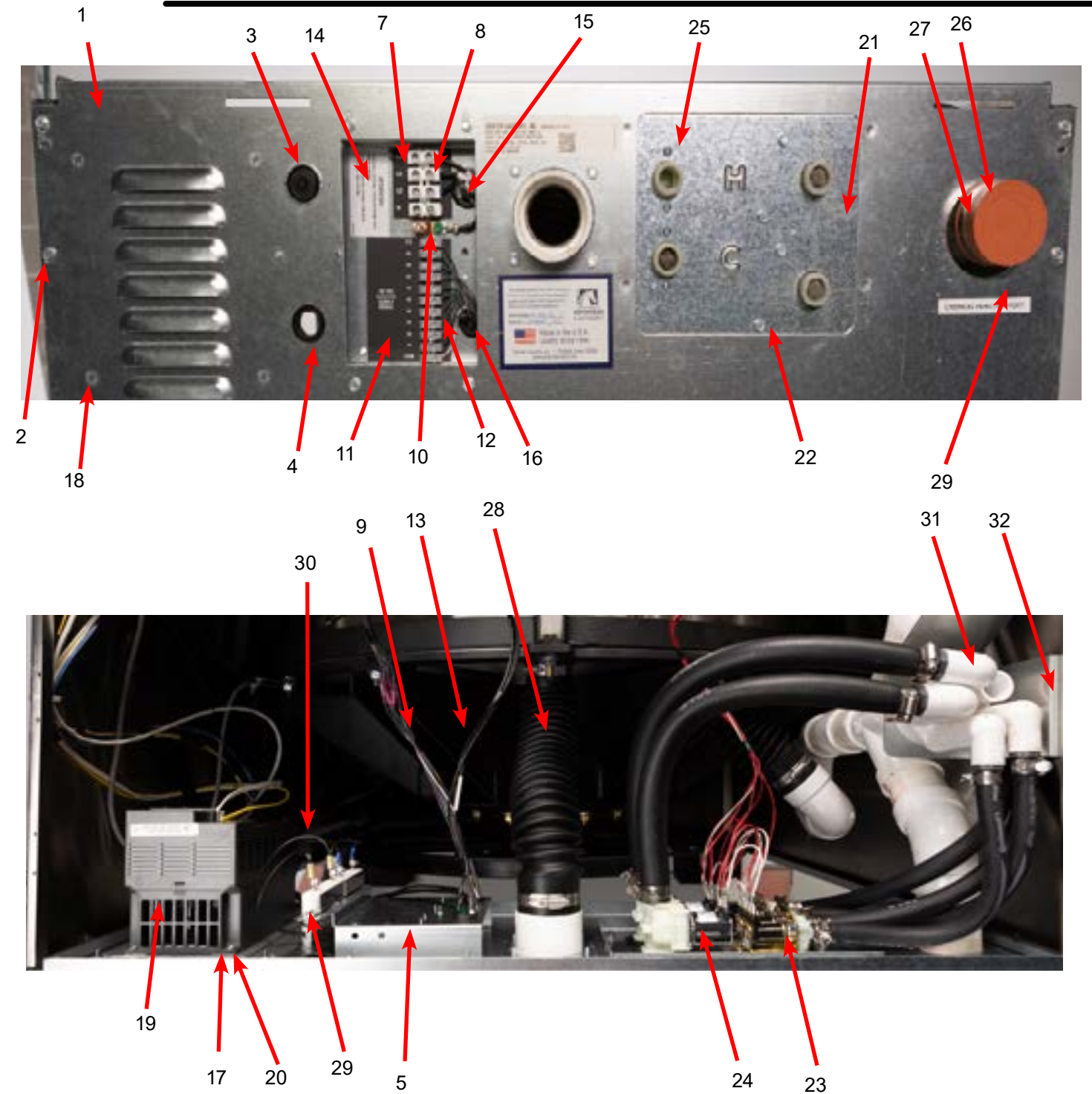


Optional Water Valve

| Key | Description | S-675 | S-975 | QTY |
|-----|-------------------------------------|--------------|--------------|-----|
| * | Dual Coil Water Valve Mueller | 9379-192-001 | 9379-192-001 | 1 |
| 7 | Valve Water Body Complete(no coil) | 9379-192-002 | 9379-192-002 | 1 |
| 8 | Diaphragm Mueller | 9118-054-001 | 9118-054-001 | 2 |
| 9 | Filter Mueller | 9183-046-001 | 9183-046-001 | 2 |
| 10 | Coil Mueller | 9089-051-001 | 9089-051-001 | 2 |
| 11 | Diaphragm Assembly Mueller Includes | 9785-001-001 | 9785-001-001 | 2 |

Rear Channel Parts Group

| | Description | S-675 | S-975 | Qty |
|----|----------------------------------|--------------|--------------|-----|
| 1 | Channel Assembly Rear | 9947-063-001 | 9947-058-001 | 1 |
| 2 | Screw #10Bx1/2 | 9545-008-026 | 9545-008-026 | AR |
| * | Nut, Expansion | 8640-442-001 | 8640-442-001 | AR |
| 3 | Plug, 7/8" | 9456-041-006 | 9456-041-006 | 1 |
| 4 | Bushing, 7/8" | 9053-067-002 | 9053-067-002 | 1 |
| 5 | Bracket-Terminal Block Assy | 9029-326-001 | 9029-326-001 | 1 |
| 6 | Screw #10Bx1/2 | 9545-008-026 | 9545-008-026 | 4 |
| 7 | Strip-Terminal marker, Power | 9558-025-001 | 9558-025-001 | 1 |
| 8 | Terminal Block-Power | 9897-033-002 | 9897-033-002 | 1 |
| * | Screw-6ABx3/4 | 9545-031-001 | 9545-031-001 | 2 |
| 9 | Harness-Power Terminal Block | 9627-932-003 | 9627-932-003 | 1 |
| 10 | Terminal Lug, Solderless | 8652-134-001 | 8652-134-001 | 1 |
| * | Lockwasher-Exttooth, #10 | 8641-582-006 | 8641-582-006 | 1 |
| * | Screw-10-32ttX1x1/2Grn | 9545-008-027 | 9545-008-027 | 1 |
| 11 | Strip-Terminal Marking, Injector | 9558-036-001 | 9558-036-001 | 1 |
| 12 | Terminal Block-Injector | 9897-032-003 | 9897-032-003 | 1 |
| * | Screw-4Bx5/8ss | 9545-053-002 | 9545-053-002 | 2 |
| 13 | Harness-Injection | 9627-935-003 | 9627-935-003 | 1 |
| 14 | Label-Warning | 8502-639-001 | 8502-639-001 | 1 |
| 15 | Bushing-Insulated, 3/4" | 9053-067-001 | 9053-067-001 | 1 |
| 16 | Bushing-Insulated, 1" | 9053-067-004 | 9053-067-004 | 1 |
| * | Cover, Terminal Block | 9074-267-001 | 9074-267-001 | 1 |
| * | Screw #10Bx1/2 | 9545-008-026 | 9545-008-026 | 1 |
| 17 | Plate-Drive mounting | 9452-848-001 | 9452-848-001 | 1 |
| 18 | Nut, #10-32UNF, 2B | 8640-413-002 | 8640-413-002 | 4 |
| 19 | VFD | 9375-037-008 | 9375-037-007 | 1 |
| * | VFD Cooling Fan | 9189-017-001 | 9189-017-001 | 1 |
| 20 | Nut, #10-32UNF, 2B | | 8640-848-001 | 4 |
| * | Cable, Data | 9806-023-005 | 9806-023-005 | 1 |
| 21 | Plate-Water Valves, Mounting | 9452-864-001 | 9452-862-001 | 1 |
| 22 | Nut, #10-32UNF, 2B | 8640-413-002 | 8640-413-002 | 4 |
| 23 | Valve-Water, Duel Coil | 9379-183-012 | 9379-183-012 | 2 |
| * | Screw #10Bx1/2 | 9545-008-026 | 9545-008-026 | 4 |
| 24 | Water-Valve, Single Coil | | 9379-194-001 | 2 |
| 25 | Screw-Phillips, 4mx0.7x8mm | | 9545-064-001 | 4 |
| * | Shield, Water Valves | 9550-194-001 | 9550-195-001 | 1 |
| * | Clip-Push | 9083-121-001 | 9083-121-001 | 3 |
| 26 | Cap-Injector Assy | 0935-127-001 | 0935-127-001 | 1 |
| 27 | Clamp | 8654-117-015 | 8654-117-017 | 2 |
| 28 | Hose-Suds Overflow | 9242-474-001 | 9242-474-001 | 1 |
| 29 | Resistors (160 Ohm) | 9483-004-003 | 9483-004-003 | 2 |
| * | Screws (Mounting) | 9545-045-002 | 9545-045-002 | 3 |
| 30 | Jumper Wires | 8220-117-002 | 8220-117-002 | 2 |
| * | Screw-#6-32x5/16 | 9545-044-006 | 9545-044-006 | 4 |
| * | Nut-#6-32 | 8640-411-003 | 8640-411-003 | 4 |

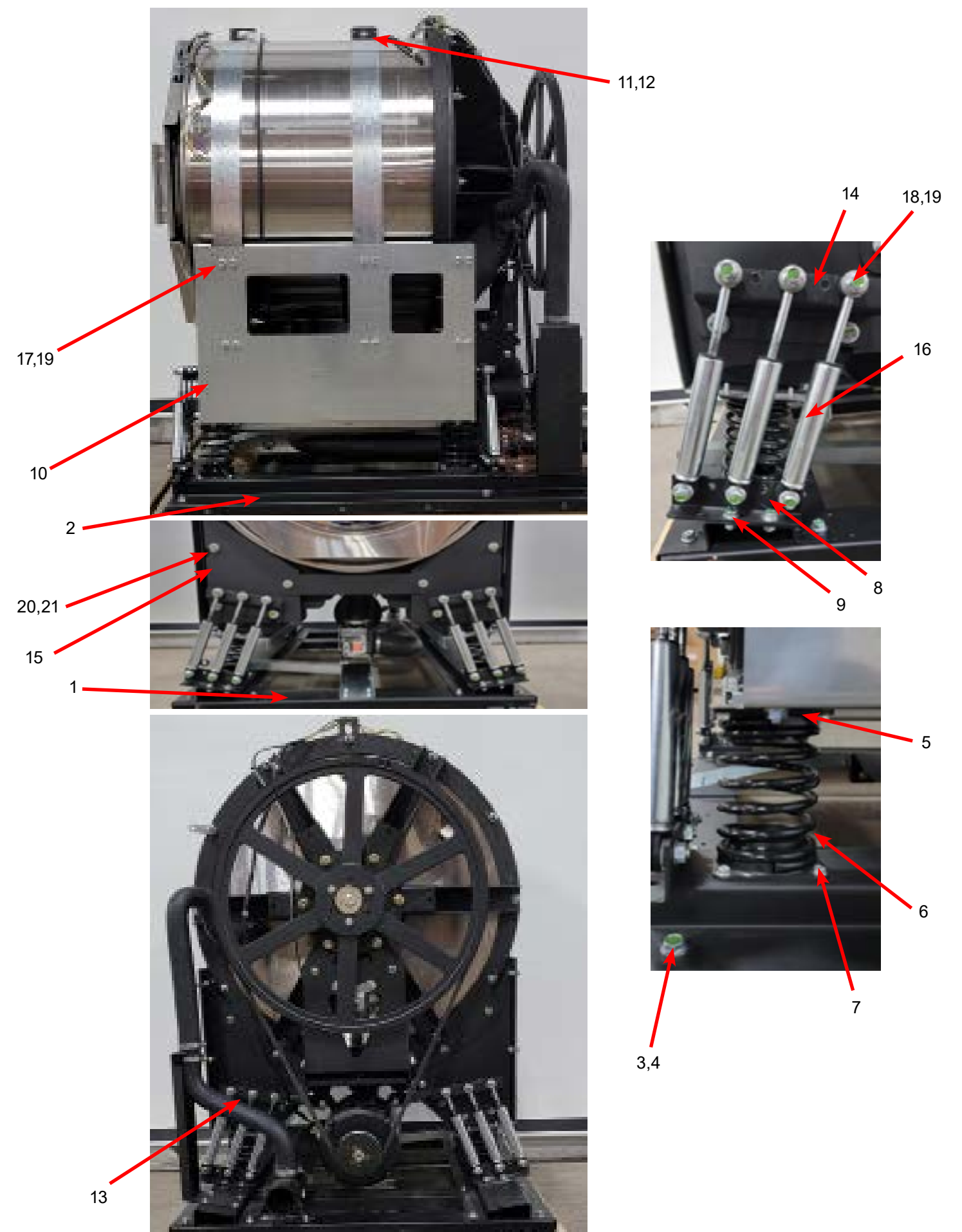


| Key | Description | S-675 | S-975 | Qty |
|-----|-----------------------|--------------|--------------|-----|
| 31 | Injection assy | 9883-017-001 | 9883-016-001 | 1 |
| 32 | Bracket-Injector Assy | 9029-352-001 | 9029-346-001 | 1 |
| * | Screw, 10Bx1/2 | 9545-008-026 | 9545-008-026 | 4 |

Cradle & Base Parts Group

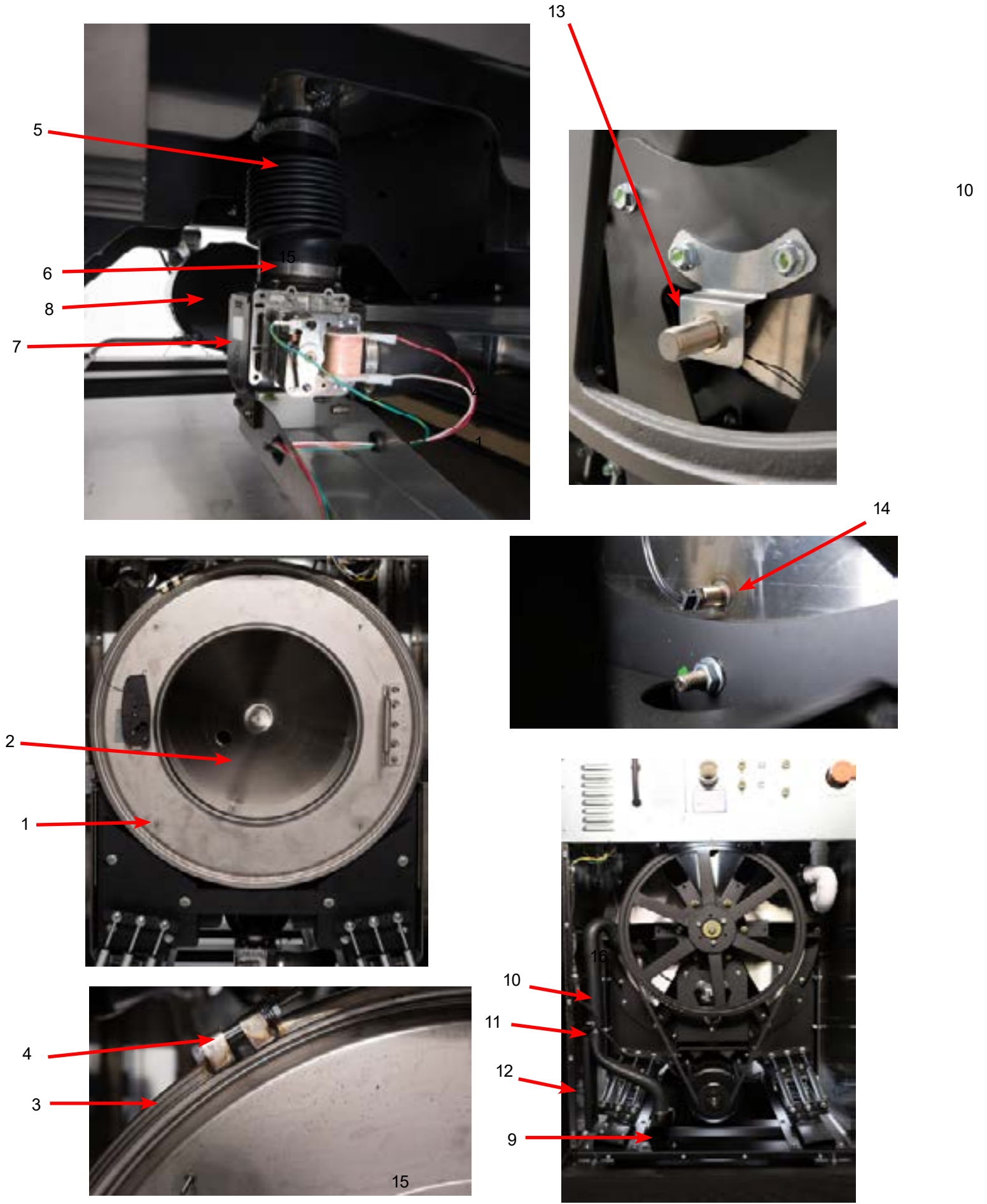
| Key | Description | S-675 | S-975 | Qty |
|-----|-----------------------------------|--------------|--------------|-----|
| * | Cradle Assembly | 9967-011-001 | 9967-010-001 | 1 |
| * | Base Assembly | 9945-161-001 | 9945-160-001 | 1 |
| * | Leveling Shim | 9552-052-001 | 9552-052-001 | AR |
| * | Channel Assembly-Base, Front/Rear | 9947-060-002 | 9947-057-002 | 2 |
| 1 | Channel-Base, Front/Rear | 9081-211-001 | 9081-201-001 | 2 |
| * | Plate-Base, Foot | 9452-859-001 | 9452-859-001 | 4 |
| * | Channel-Base, Middle | 9081-212-002 | 9081-202-002 | 1 |
| 2 | Channel Assembly-Base (RH/LH) | 9947-061-001 | 9947-056-001 | 2 |
| * | Nut-Rivet, SS, Hex,1/4-20 | 8640-438-001 | 8640-438-001 | 8 |
| 3 | Screw-3/8-16x3/4 | 9545-029-015 | 9545-029-015 | 20 |
| 4 | Nut-Hex 3/8-16 | 8640-415-004 | 8640-415-004 | 20 |
| * | Pad-Spring Rightwind | 9455-067-001 | 9455-067-001 | 4 |
| * | Spring-Compress, Right (Gray) | 9534-368-001 | 9534-368-001 | 2 |
| 5 | Pad-Spring Leftwind | 9455-067-002 | 9455-067-002 | 4 |
| 6 | Spring-Compress, Left (Black) | 9534-368-002 | 9534-368-002 | 2 |
| 7 | Screw-1/4Bx3/4 | 9545-030-002 | | 16 |
| 7 | Screw-1/4Bx3/4 | | 9545-030-002 | 8 |
| * | Plate-Spacer, Spring | | 9452-860-002 | 2 |
| 8 | Bracket-Damper, Base | 9029-337-002 | 9029-337-002 | 4 |
| 9 | Screw-1/4Bx1 1/4 | | 9545-030-003 | 8 |
| 10 | Cradle-Side, Right | 9085-010-001 | 9085-009-001 | 1 |
| * | Cradle-Side, Left | 9085-010-002 | 9085-009-002 | 1 |
| * | Support Assembly-Front Cradle | 9991-079-002 | 9991-077-002 | 2 |
| * | Support-Front/Middle Cradle | 9548-295-001 | 9548-293-001 | 2 |
| * | Pad-Tub Cradle | 9455-070-001 | 9455-069-001 | 2 |
| * | Support-Rear Cradle | 9548-296-002 | 9548-294-002 | 1 |
| 11 | Clamp Assembly-Tub Band, Male | 9938-042-001 | 9938-041-001 | 2 |
| 12 | Clamp Assembly-Tub Band, Female | 9938-042-002 | 9938-041-002 | 2 |
| 13 | Bracket-Damper, Rear Cradle | 9029-355-002 | 9029-338-002 | 2 |
| 14 | Bracket-Damper, Front Cradle | 9029-356-002 | 9029-339-002 | 2 |
| 15 | Plate-Counter Weight | 9452-863-002 | 9452-861-002 | 10 |
| * | Brace-Counter Weight | 9046-103-002 | 9046-100-002 | 1 |
| 16 | Damper | 9125-010-001 | | 6 |
| 16 | Damper | | 9125-010-001 | 12 |
| 17 | Screw-3/8-16x3/4 | 9545-029-015 | 9545-029-015 | 48 |
| 18 | Screw-3/8-16x1 1/2 | 9545-029-016 | | 16 |
| 18 | Screw-3/8-16x1 1/2 | | 9545-029-016 | 24 |
| 19 | Nut-3/8-16 | 8640-415-004 | | 64 |
| 19 | Nut-3/8-16 | | 8640-415-004 | 72 |
| * | Screw-1/4Bx3/4 | 9545-030-002 | 9545-030-002 | 16 |
| * | Washer, Interlocking 1/2 | 8641-591-001 | 8641-591-001 | 16 |
| 20 | Bolt-1/2-13x6 1/2 | 9545-017-020 | 9545-017-020 | 8 |
| 21 | Nut-Hex 1/2-13 | 8640-417-002 | 8640-417-002 | 8 |

NOTE: Interlocking Washers are ONE-time use.



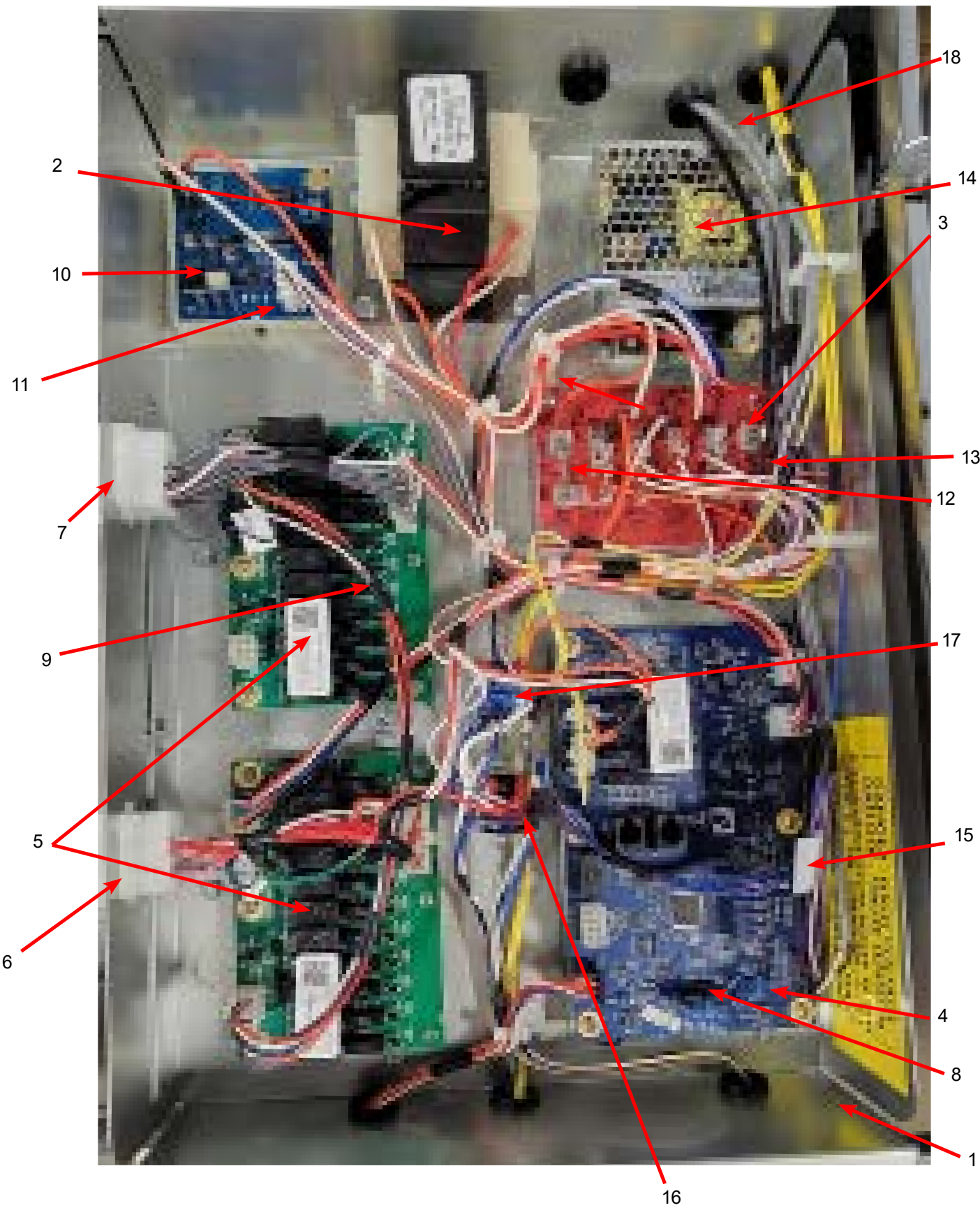
Chassis and Drain Parts Group

| Key | Description | S-675 | S-975 | Qty |
|-----|---------------------------------------|--------------|--------------|-----|
| 1 | Outer Tub Assy. | 9930-189-001 | 9930-188-001 | 1 |
| 2 | Tub & Cylinder Assy. | 9869-048-001 | 9989-047-001 | 1 |
| * | Tub Front | 9974-024-001 | 9974-022-001 | 1 |
| * | Gasket, Tub Front | 9206-421-004 | 9206-421-002 | 1 |
| 3 | Ring Assy, Tub Mtg-Front Clamp | 9950-063-001 | 9950-055-001 | 1 |
| 4 | Bolt, Top Front Ring 3/8"-16 x 3" | 9545-029-009 | 9545-029-009 | 1 |
| * | Nut 3/8"-16 | 8640-415-001 | 8640-415-001 | 1 |
| * | Lockwasher-Spring 3/8 | 8641-582-003 | 8641-582-003 | 1 |
| 5 | Hose, Tub to Drain Valve | 9242-469-001 | 9242-469-001 | 1 |
| 6 | Clamp, Hose (Tub to Drain Valve) | 8654-117-014 | 8654-117-014 | 2 |
| 7 | Valve, Drain | 9379-204-001 | 9379-204-001 | 1 |
| * | Screw, Valve to Bracket 1/4-20x1/2 | 9545-018-013 | 9545-018-013 | 4 |
| 8 | Hose, Drain Valve to Tube | 9242-476-001 | 9242-470-001 | 1 |
| * | Clamp, Hose (Drain Valve to Tube) | 8654-117-014 | 8654-117-014 | 2 |
| 9 | Tube Assy, Drain | 9915-134-002 | 9915-134-002 | 1 |
| * | Bracket, Drain Tube | 9029-347-001 | 9029-347-001 | 1 |
| * | Screw Tube (Bracket to Base 1/4Bx3/4) | 9545-030-002 | 9545-030-002 | 2 |
| 10 | Hose-Overflow Upper | 9242-477-001 | 9242-471-001 | 1 |
| 11 | Tube Assy-Overflow | 9915-136-002 | 9915-136-002 | 1 |
| 12 | Hose-Overflow Lower | 9242-475-001 | 9242-475-001 | 1 |
| * | Clamp-Hose Over Flow | 8654-117-014 | 8654-117-014 | 4 |
| * | Bracket-Overflow Hose | 9029-351-001 | 9029-351-001 | 1 |
| * | Hose, Pressure switch | 9574-175-009 | 9242-175-009 | 1 |
| * | Clamp, Hose | 8654-117-015 | 8654-117-015 | 1 |
| * | Bracket-switch,prox | 9029-308-001 | 9029-375-001 | 1 |
| * | Washer-flat | 8641-581-032 | 8641-581-043 | 1 |
| * | Screw-hxcap,5/8-11x1 1/2 | 9545-060-001 | 9545-060-001 | 1 |
| 13 | Switch-prox,18mm,shld,60" | 9539-498-001 | 9539-498-001 | 1 |
| 14 | Sensorassembly-thermistor,10k | 9501-005-002 | 9501-005-002 | 1 |
| * | Sealer-pipe | 8538-132-001 | 8538-132-000 | AR |



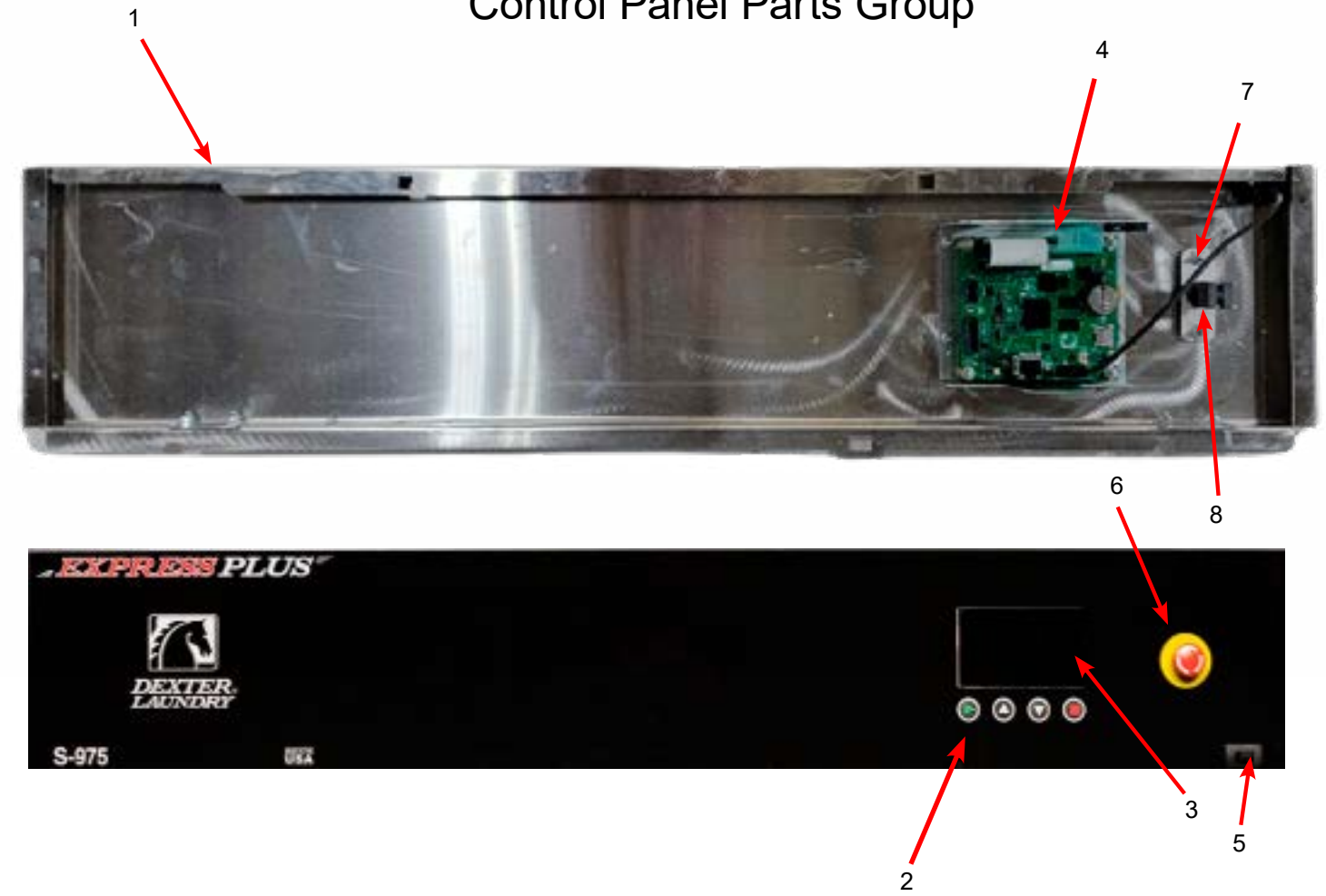
Electrical Components - Top Compartment

| Key | Description | S-675 | S-975 | Qty |
|-----|--|--------------|--------------|-----|
| * | Contrisasy-trgh, opl,60hz | 9857-280-001 | 9857-279-001 | 1 |
| 1 | Troughassy-control | 9575-044-001 | 9575-044-001 | 1 |
| 2 | Transformer-dualsecondary | 8711-017-001 | 8711-017-001 | 1 |
| * | Screw-hxwshrhnduct,#10bx1/2 | 9545-008-026 | 9545-008-026 | 4 |
| * | Lockwasher #10 | 8641-582-006 | 8641-582-006 | 4 |
| 3 | Terminalblockassembly-power | 9897-044-001 | 9897-044-001 | 1 |
| * | Screw-panhdcr,#8abx1/2 | 9545-045-012 | 9545-045-012 | 4 |
| * | Wiringharness-ctrl,graph,can,wshr | 9627-922-002 | 9627-922-002 | 1 |
| 4 | Pcbassy-maincontrol | 9799-029-001 | 9799-029-001 | 1 |
| 5 | Pcbassy-relay | 9799-028-001 | 9799-028-001 | 2 |
| * | Screw-hxwshrhnduct,#10bx1/2 | 9545-008-026 | 9545-008-026 | 10 |
| 6 | Wiringharness-main | 9628-010-001 | 9628-010-001 | 1 |
| 7 | Wiringharness-chemical,v2.0wshr | 9627-927-001 | 9627-927-001 | 1 |
| 8 | Wireasy,2.0, Model Jumper | 8220-158-034 | 8220-158-035 | 1 |
| * | Wiringharness-drsw/vfd,stp | 9627-928-004 | 9627-928-004 | 1 |
| * | Clamp-cable,3/16" | 8654-125-005 | 8654-125-005 | 4 |
| 9 | Wiringharness-cntrl/relay,v2.0 | 9627-921-001 | 9627-921-001 | 2 |
| * | Wireasy-jumper,v2.0,relaypcb | 8220-159-005 | 8220-159-005 | 1 |
| * | Wireasy-jumper,v2.0,relaypcb | 8220-159-006 | 8220-159-006 | 1 |
| * | Screw-hxwshrhds1,10-32tx1/2 grn | 9545-008-027 | 9545-008-027 | 1 |
| * | Lockwasher #10 | 8641-582-006 | 8641-582-006 | 1 |
| * | Standoff-twistlok | 9527-007-001 | 9527-007-001 | 10 |
| 10 | Sensorassy-wps | 9474-007-001 | 9474-007-001 | 1 |
| * | Support-pcb,3/8",edge Holding | 9548-292-001 | 9548-292-001 | 1 |
| 11 | Wiringharness-wps/thermo | 9628-017-001 | 9628-017-001 | 1 |
| * | Wireasy-org 17" | 8220-062-052 | 8220-062-052 | 1 |
| * | Wireasy-wht/org,17 1/2" | 8220-062-053 | 8220-062-053 | 1 |
| 12 | Fuse-2a,slow,1/4x1-1/4 (on the 24V) | 8636-018-005 | 8636-018-005 | 1 |
| 13 | Fuse-1.5a,fast,1/4x1-1/4 (on the 120V) | 8636-018-001 | 8636-018-001 | 1 |
| 14 | Wiring harness-powersupply,12v | 9628-012-001 | 9628-012-001 | 1 |
| * | Wiringharness-drkrelay | 9628-013-001 | 9628-013-001 | 1 |
| 15 | Wiringharness-rebal, input | 9628-014-001 | 9628-014-001 | 1 |
| * | Wiringharness-maxdispsto | 9628-015-001 | 9628-015-001 | 1 |
| * | Channel-trough, front | 9081-215-001 | 9081-206-001 | 1 |
| * | Channel-trough, rear | 9081-216-001 | 9081-208-001 | 1 |
| * | Channel-trough, front to back | 9081-207-001 | 9081-207-001 | 1 |
| 16 | 24v Relay | 5192-285-004 | 5192-285-004 | 1 |
| 17 | 120v Relay | 5192-285-001 | 5192-285-001 | 1 |
| 18 | Data Cable | 9806-023-005 | 9806-023-005 | 1 |
| * | Wiringharness-15 pin, noinj | 9628-011-001 | 9628-011-001 | 1 |



| Key | Description | S-675 | S-975 | Qty |
|-----|---|--------------|--------------|-----|
| 1 | Panel Control Assembly(panel only) | 9444-085-001 | 9444-078-001 | 1 |
| * | Plate -Latch, Top | 9452-625-001 | 9452-625-001 | 2 |
| * | Nut Hexkeps #8-32 | 8640-412-005 | 8640-412-005 | 4 |
| * | Screw-FillHDCR 10Bx9/16 | 9545-008-023 | 9545-008-023 | 1 |
| 2 | Button-control,2.0,opl | 9035-063-001 | 9035-063-001 | 1 |
| 3 | Window-display,lcd(w/gasket) | 9635-021-002 | 9635-021-002 | 1 |
| 4 | Contrlassy-display,2.0,opl,wsh | 9857-230-003 | 9857-230-003 | 1 |
| * | Nut-hexkeps,#6-32 | 8640-411-003 | 8640-411-003 | 4 |
| 5 | Cableassy-usb,snapi | 9806-024-001 | 9806-024-001 | 1 |
| 6 | Button-emergencystop,w/latch | 9035-061-002 | 9035-061-002 | 1 |
| * | Spacer-pcb,#8x1/8 | 9538-157-005 | 9538-157-005 | 2 |
| 7 | Plate-mounting,stopbutton | 9452-725-001 | 9452-725-001 | 1 |
| * | Nut-hexkeps,#8-32 | 8640-412-005 | 8640-412-005 | 2 |
| 8 | Switch-contactblock,dpst,nc | 9539-499-001 | 9539-499-001 | 1 |
| * | Nameplate,Control Panel (one piece) Black | 9412-263-001 | 9412-262-001 | 1 |
| * | Screw, #10B x 1/2 | 9545-008-026 | 9545-008-026 | 6 |

Control Panel Parts Group



Notes

Lined area for notes.



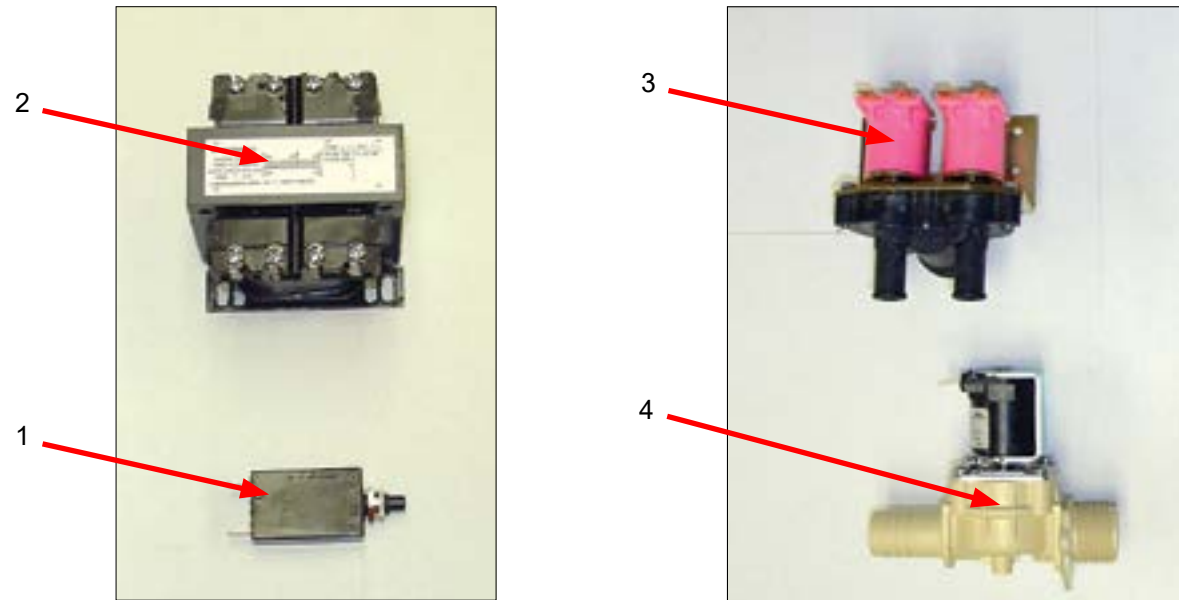
Section :9

Parts 50Hz

Soft Mount O-Series -39 Models

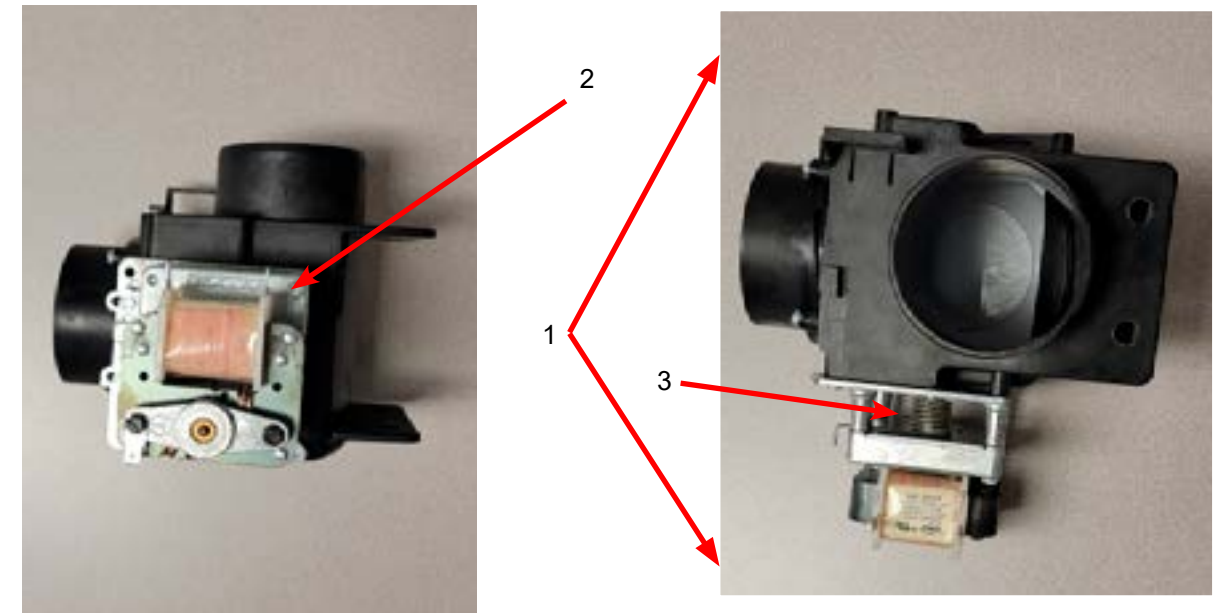
WS0675XA-39XO 230 Volts 50 Hz Single Phase
 WS0975XA-39XO 230 Volts 50 Hz Single Phase

| Key | Description | S-675 | S-975 | QTY |
|-----|---------------------------------------|--------------|--------------|-----|
| 1 | Circuit breaker | 5198-211-002 | 5198-211-002 | 1 |
| * | Instructions, Transformer Control | 8507-449-002 | 8507-449-002 | 1 |
| * | Operators Manual | 8514-305-001 | 8514-305-001 | 1 |
| 2 | Control Transformer, 200/250-24V 50Hz | 8711-004-004 | 8711-004-004 | 1 |
| 3 | Water Valve | 9379-183-013 | 9379-183-013 | 2 |
| 4 | Water Valve, Single | 9379-194-003 | 9379-194-003 | 2 |
| * | Input Power Terminal Block Assembly | 9897-045-002 | 9897-045-002 | 1 |
| * | Wiring Label, Schematic | 9508-094-001 | 9508-094-001 | 1 |
| * | Rear Channel Assembly | 9947-063-002 | 9947-059-002 | 1 |
| * | Wiring Harness, Power Terminal Block | 9628-001-003 | 9628-001-003 | 1 |
| * | Wiring Harness, Main | 9628-026-001 | 9628-026-001 | 1 |
| * | Wiring Harness, Injection | 9628-003-001 | 9628-003-001 | 1 |
| * | Wiring Harness, 15-pin non inj. | 9628-027-001 | 9628-027-001 | 1 |
| * | Control Trough Only | 9857-280-002 | 9857-279-002 | 1 |

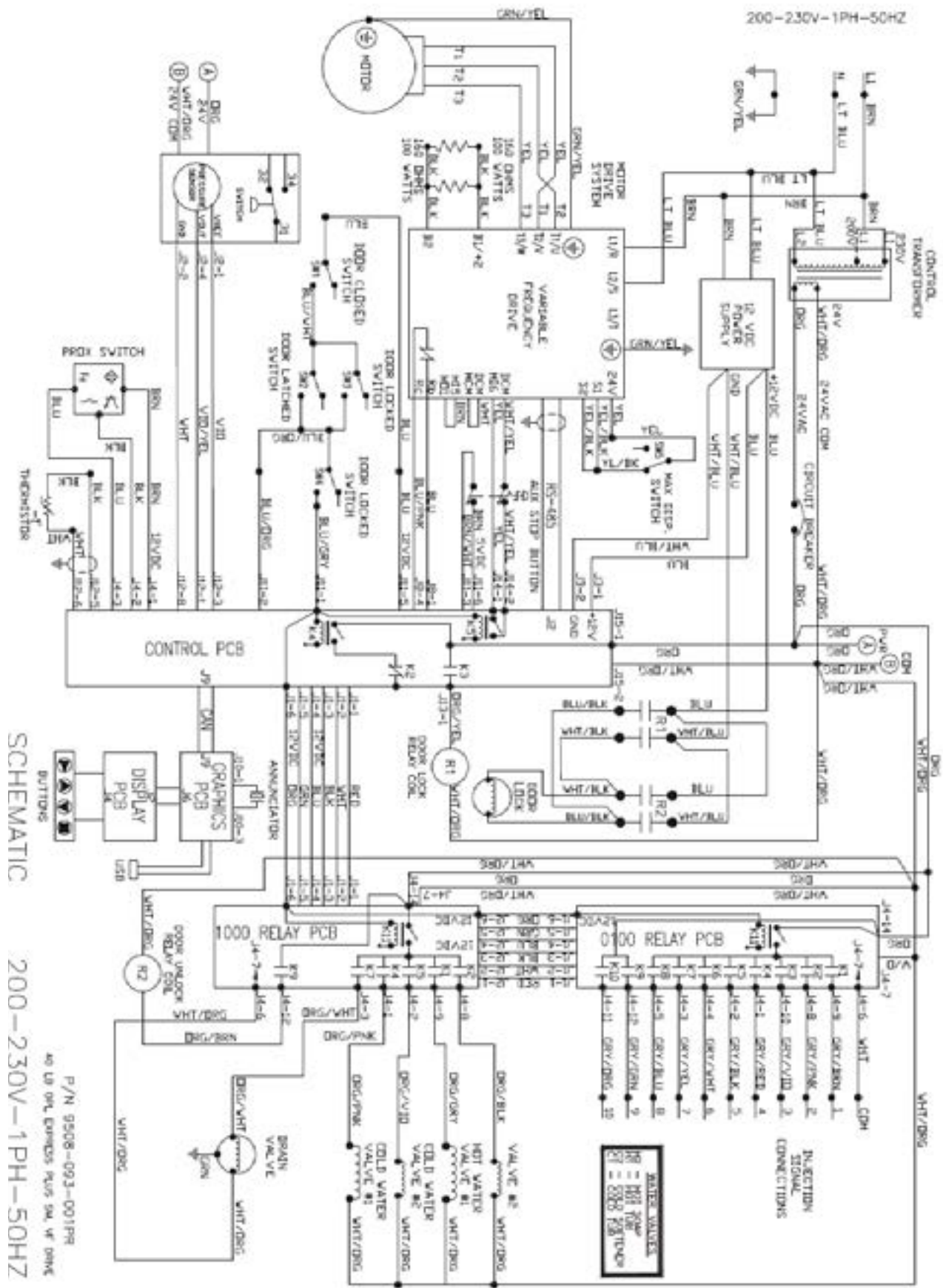


Drain Valve Parts Group

| Key | Description | Part Number | Qty |
|-----|-------------------------------------|--------------|-----|
| 1 | Valve, Drain (includes #2 thru #11) | 9379-204-002 | 1 |
| 2 | Motor & Gear Train Assy 115v | 9914-137-022 | 1 |
| 3 | Spring, Drive | 9534-339-001 | 1 |
| * | Seal, V Packer | 9532-134-001 | 1 |
| * | Pin, Main Drive | 9451-196-001 | 1 |
| * | Kit - Seal Replacement | 9732-327-001 | 1 |



WS0675XB-39EO Schematic

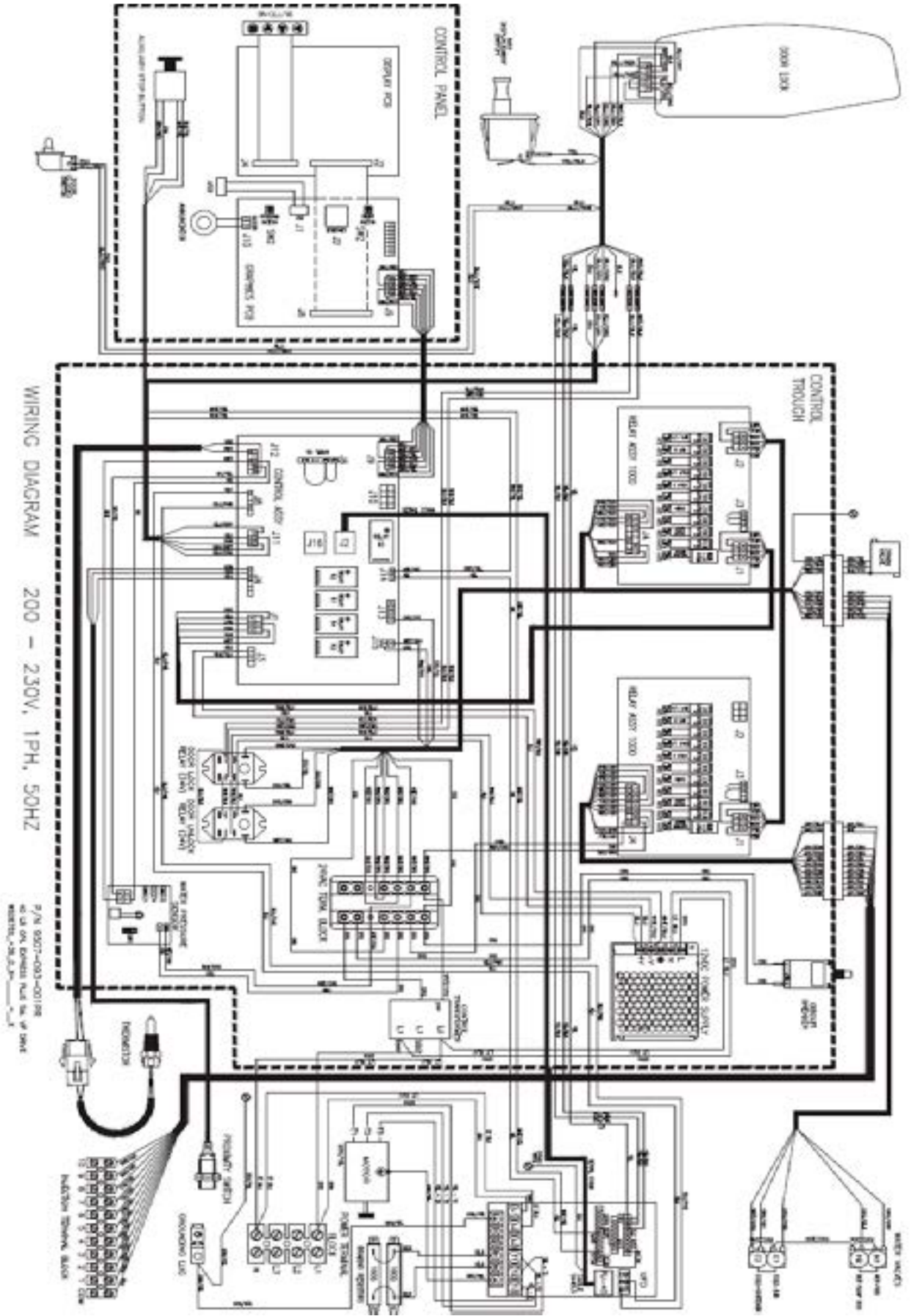


SCHEMATIC

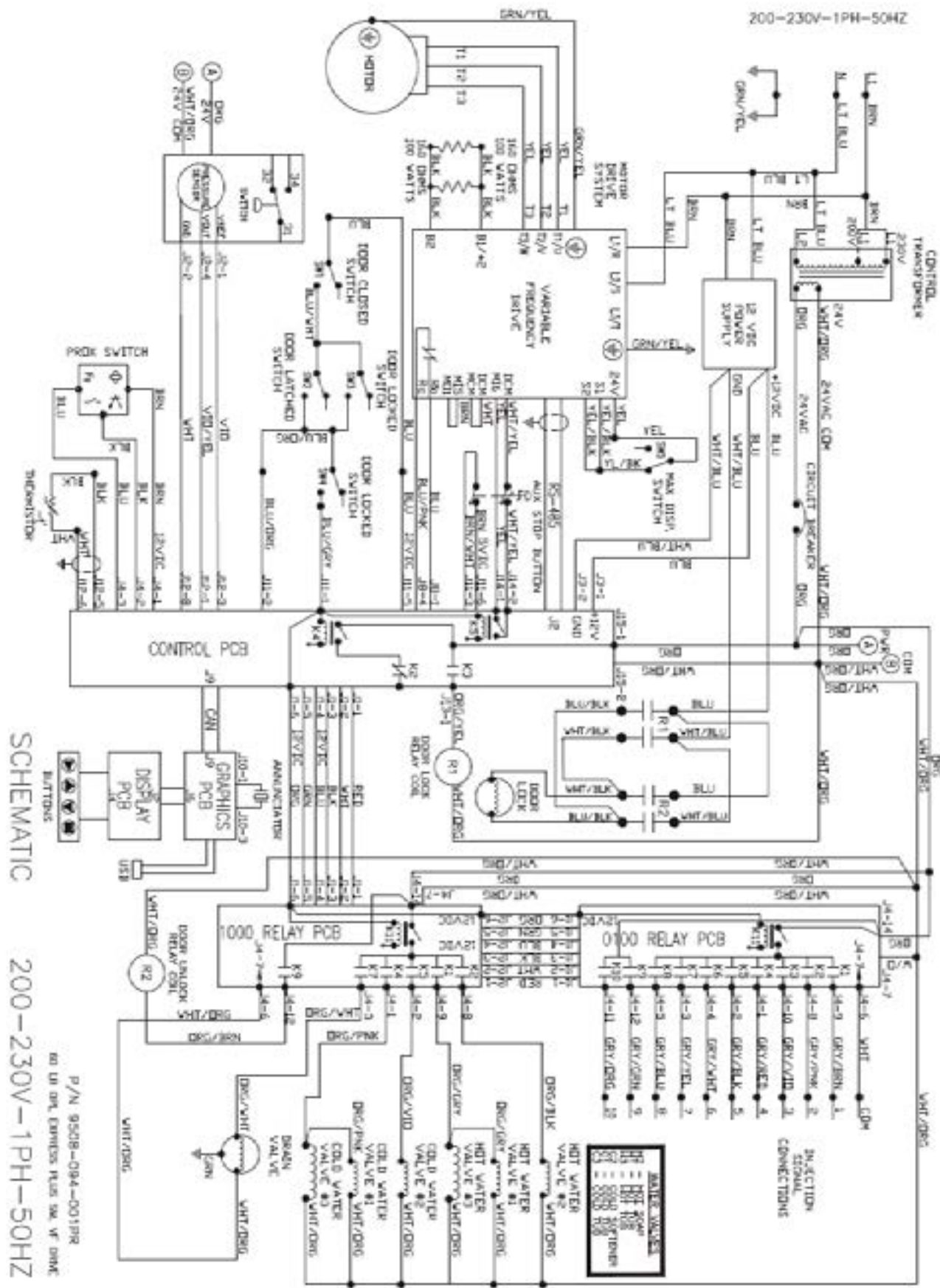
200-230V-1PH-50HZ

P/N 9508-003-001PR
 40 LB DWT, EXCESS PLUS 5W, WF DRIVE

WS0675XB-39EO Diagram



WS0975XB-39EO Schematic



WS0975XB-39EO Diagram

