



***DEXTER***<sup>®</sup>  
***LAUNDRY***

**USE THE BLUE TABS LOCATED ON THE  
RIGHT AND LEFT SIDES OF THE FOLLOWING  
DOCUMENT TO ADVANCE TO EACH SECTION.**

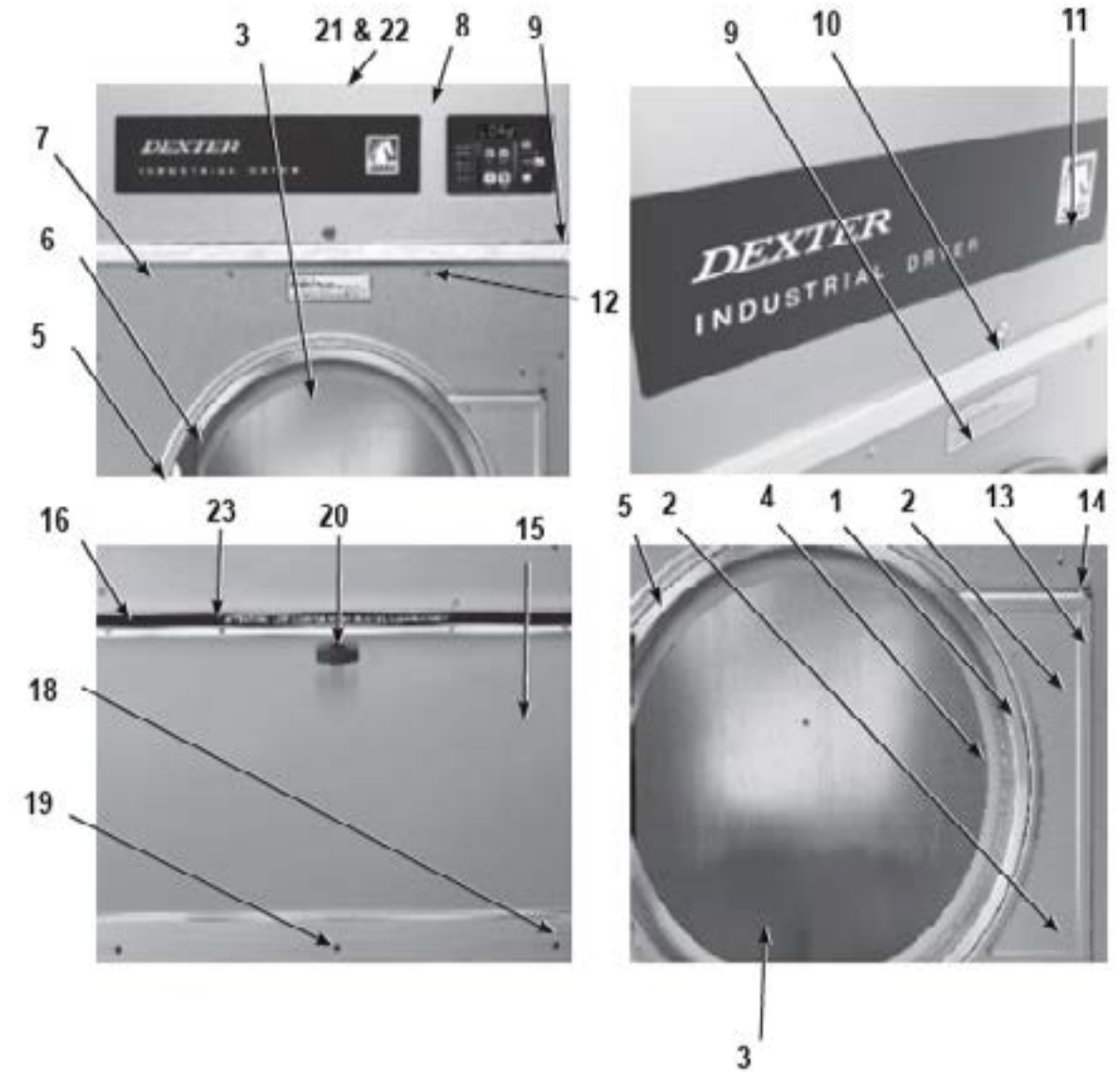
## Kits, Assemblies, & Common Parts

Loading Door Components	Part Number
Door Handle	9244-082-001
Door Close Switch	9539-461-001
Electrical Components	Part Number
Transformer, Control	8711-007-001
Controls	9732-249-001
Heating Circuit Components	Part Number
Ignition Control Module	9857-116-003
Ignition Electrode Assembly	9875-002-003
Thermostat, Hi-Limit	9576-203-002
Thermostat, Overtemp	9576-207-006
Fuseholder	9200-001-002
Fuse 1.5 amp	8636-018-001
Airflow Switch	9539-461-009
Cabinet Components	Part Number
Cleanout Duct Assembly 8"	9973-034-001

## Section 6: Parts Data

## Cabinet Group

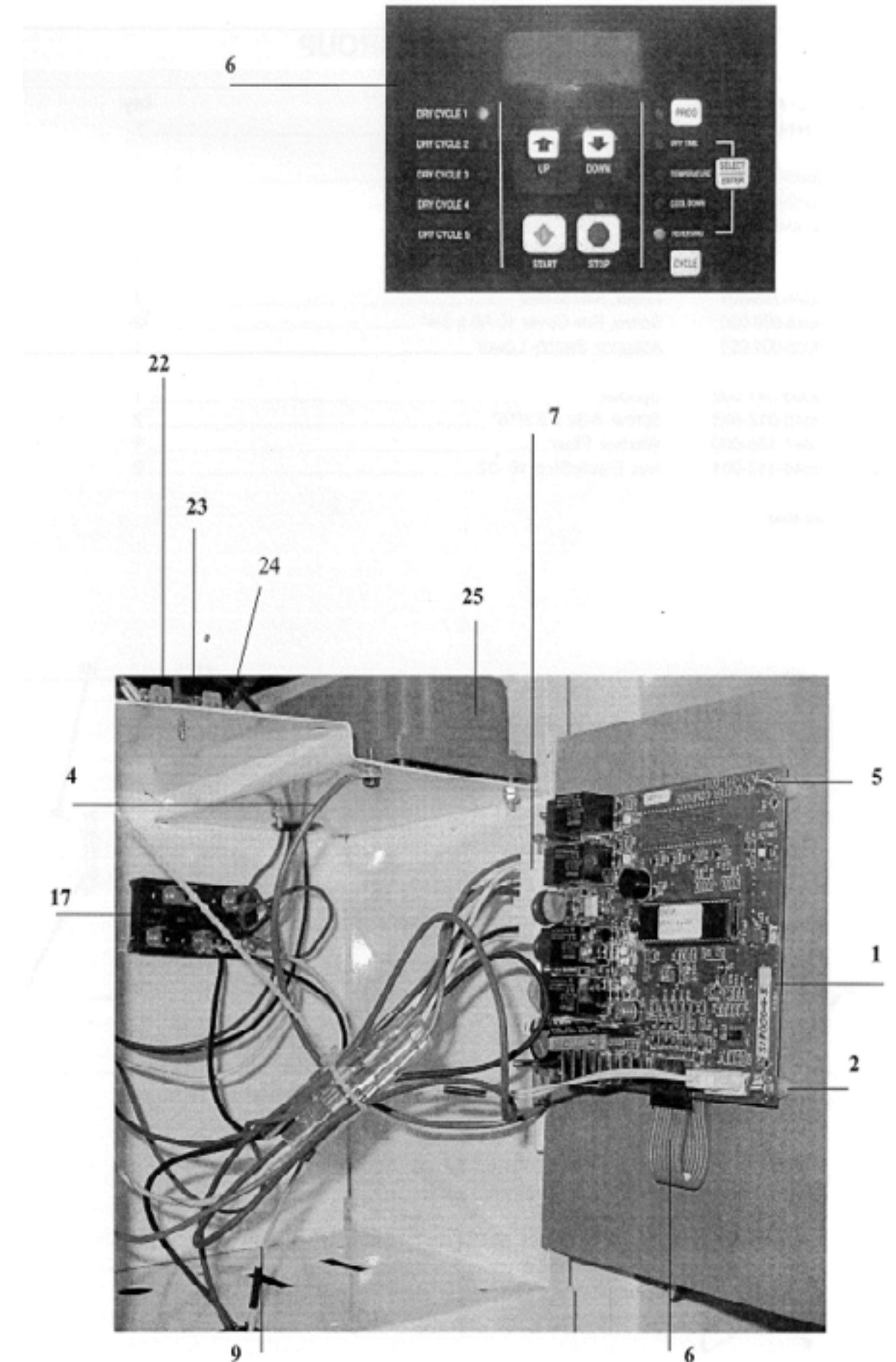
Key	Part Number	Description	Qty
*	9960-256-021	Door Assy., Loading Complete-Wht	1
*	9960-256-025	Door Assy., Loading Complete-SS	1
1	9960-255-007	Door Assy.ONLY, Loading-SS	1
2	9982-280-002	Plate Assy., Hinge (Wht)	1
2	9982-280-011	Plate Assy., Hinge (SS)	1
*	9545-012-015	Screw, Hinge to Door 10-32 x 3/8"	4
*	8640-413-002	Nut, Hinge to Door #10-32 UNF	4
3	9212-002-003	Glass, Door	1
4	9206-164-009	Gasket, Glass	1
*	9548-117-000	Support, Door Glass (inside gasket)	1
5	9206-420-002	Gasket, Outer Rim	1
6	9244-082-001	Handle, Loading Door	1
*	9545-018-017	Screw, Handle 1/4"-20 x 3/8"	2
*	9531-033-001	Stud, Door Catch	1
*	8640-413-001	Nut, Hex	1
*	8640-413-003	Nut , Acorn # 10-32	1
*	9086-015-002	Catch, Loading Door	1
7	9989-460-003	Panel Assy., Front- white only	1
7	9989-460-001	Panel Assy., Front- S. Steel	1
8	9108-100-004	Door, Upper Service-S.S	1
8	9108-100-006	Door, Upper Service-White	1
9	9578-090-002	Trim, Door-Upper Service	1
*	6292-006-006	Key ( only ) (FJWCC)	1
10	8650-006-003	Lock w/ nut, Upper Service Door	1
*	9491-009-001	Rivet, Drive	2
*	8641-581-005	Washer, Flat 3/16"	2
*	9548-268-001	Support, Upper Door	1
11	9412-127-001	Nameplate, Industrial Dryer	1
12	9545-012-003	Screw, Chrome 10-32 x 1/2"	4
*	8641-436-004	Washer, Fiber	4
*	8641-582-019	Lockwasher # 10	10
*	8640-399-001	Nut, Spring U type 10Z	6
13	9544-047-002	Strap, Hinge (White)	1
13	9544-047-007	Strap, Hinge (Gray)	1
*	9545-012-003	Screw, to Panel 10T-32 x 1/2" Strap	4
14	9545-052-001	Screw, Door to Hinge Strap (special)	1
*	8641-436-003	Washer, Fiber/ Plastic on Door Hinge (special)	1
15	9960-281-001	Door Ass'y, Lower Service-SS	1
15	9960-281-003	Door Ass'y, Lower Service-White	1
16	9578-088-001	Trim, Door - Lower Service	1
17	9545-008-021	Screw,Pn Hd Cr., #10Bx3/8	5
18	9578-084-002	Trim, Kick- Lower Service Door	1
19	9545-008-010	Screw, Tr Hd Cr-#10x1/2 Blk	3
20	9244-084-001	Latch, Lower Door (Handle)	1
23	9435-016-003	Overlay Trim	1
*	8502-617-001	Label - Made in the USA	1
*	9277-051-001	Insulation Side Panel	6



Key	Part Number	Description	Qty
*	9277-049-002	Insulation Front Panel Bottom	1
*	9277-049-001	Insulation Front Panel Top	1
*	8544-006-001	Leg, Leveling	4
*	9049-074-001	Baffle, Cabinet- Left Inside Cabinet	1
*	9049-074-002	Baffle, Cabinet- Right Inside Cabinet	1
*	9545-008-003	Screw, #10x1/2 TEK	8
21	9074-273-001	Cover, Cabinet	1
22	9545-008-024	Screw 10AB x 3/8"	10
*	9277-050-002	Insulation Lower Service Door	1
*	9277-047-001	Insulation	1
*	9277-047-002	Insulation 1/4" black	1

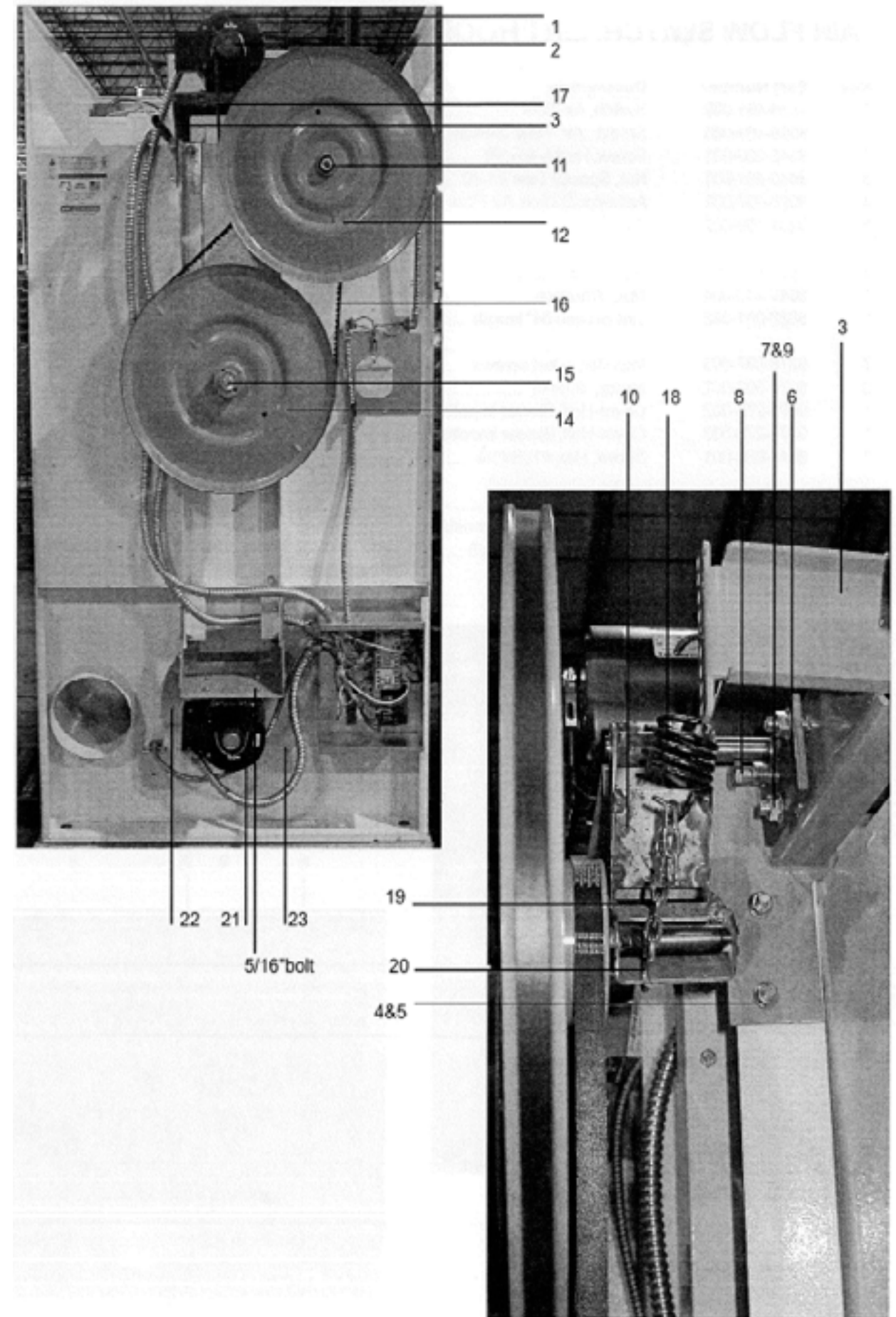
## Front Control Housing Group

Key	Part Number	Description	Qty
1	9471-015-001	Electronic Control	1
2	9538-157-015	Spacers, Circuit. Soard -#8 x 1/2	4
3	8639-621-007	Spacers, Circuit. Soard -#8 x 1/2	4
3	8641-582-006	Lockwasher #10 ext tooth	1
4	8220-060-001	Wire Assembly Green 12"	1
5	8640-411-003	Nut, Keps - Circuit Board (for grounding)	4
6	9801-084-001	Switch Assy., Membrane	1
*	9857-136-001	Control Assembly # 1-#6 above & #11 below included	1
7	9627-770-001	Harness, Wiring (Micro Reversing)	1
8	9501-004-002	Sensor, Temperature Thermistor	1
9	9627-679-002	Wiring Harness, Temperature Sensor	1
10	9029-111-001	Bracket, Sensor Mounting	1
*	9545-045-005	Screw Mtg. sensor 8Bx1/4	1
11	9982-326-002	Plate Assy., Electronic Control	1
12	9451-146-005	Pin, Hinge - Control Plate Assy	2
13	9545-045 008	Screw, Mtg. sensor bracket #8ABx3/8	2
*	8640-276-005	Wire Connector Nut #71B black	2
14	9039-981-001	Bracket panel attachment	1
14	9545-045-002	Screw #8Bx1/2 panel mtg	1
17	9897-026-001	Terminal Block Power	1
*	9545-031-004	Screw Terminal Block Mtg	2
18	9053-067-001	Bushing, Door Switch Wires	2
*	9631-403-003	Wire Ass'y, High Voltage	1
*	9627-711-001	Harness, Low Voltage Ignition	1
22	9054-045-001	Fuseholder	1
23	8636-018-001	Fuse, 1.5 amps	1
24	9545-031-005	Screw #68 x 3/8	1
25	8220-001-350	Wire Assembly Blk/Grn	1
25	9857-116-002	Control, Ignition	1
26	9545-044-002	Screw 6-32 x 1"	2
27	8640-411-003	Nut, Hex Keps #6-32	2



## Drive Group

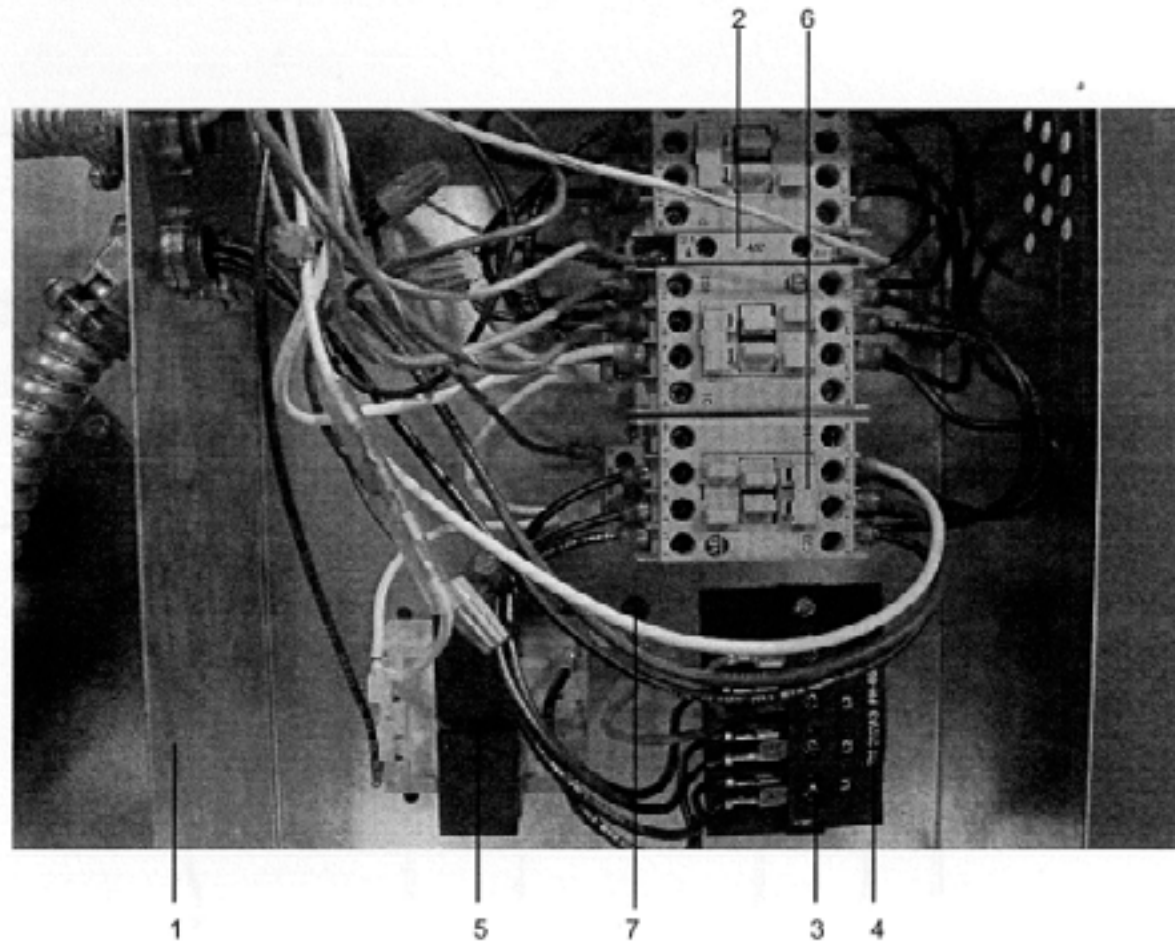
Key	Part Number	Description	Qty
1	9376-302-001	Motor, Drive Tumble	1
*	9732-205-009	Motor Replacement Kit to Replace 9376-302-001	1
*	8640-276-003	Wire Nut connector #73B (for302-001)	3
1	9376-302-002	Motor, Drive Blower	1
*	9732-205-010	Motor Replacement Kit to Replace 9376-302-002	1
*	8640-276-003	Wire Nut connector#73B (for302-002)	3
*	9545-014-004	Screw, Hx 5/16-18X5/8	8
*	8640-400-003	NutS/16-18	8
*	8641-581-008	Washer Flat 5/16	2
2	9453-157-001	Pulley, Motor (for302-001)	1
2	9278-037-003	Impeller, w/set screws (for302-002)	1
*	9545-028-013	Screw, Set5/16-18x1/2" -----	2
3	9991-054-006	SupportAss'y, Motor (for302-001)	1
*	9452-643-002	Plate, Motor(for302-001)	1
4	9545-029-005	Screw 3/8-16 x 1"	8
5	8640-415-004	Nut3/8-16	8
6	9991-053-001	SupportAssy, Intermed. Pulley (for302-001)	1
7	9545-029-010	Bolt, Rd Hd 3/8-16x11/4	3
8	9545-029-003	Screw Hxcap 3/8-16x11/2	1
9	8640-415-004	Nut 3/8-16	3
*	8641-581-035	Washer, Flat	4
10	9861-024-002	ArmAssy-Tension Complete	1
*	8641-581-035	Washer, Flat	1
*	9487-200-006	Ring-Retaining	1
*	81341-581-039	Washer, Flat.	2
11	8640-425 002	Nut-Hex, 5/8 x 11	1
12	9908-042-006	Pulley Assy, Intermediate - w/ bearings, spacer, & ret. ring (below)	1
*	9036-159-007	Bearing, Ball-Idler Pulley	2
*	9538-173-002	Spacer, Bearing	1
*	9487-238-005	Ring, Retaining	1
*	9908-042'-005	Pulley Assembly intermediate	1
*	8600-042-004	Lubricant molycoat BR2-S	
13	9487-200-003	Ring, Retaining	2
14	9908-043-002	Pulley, Assembly Driven	1
*	9487-234-001	Ring, Tolerance	1
15	8641-581-026	Washer,, Flat 1/2	1
15	8641-582-016	Lockwasher Ext. 1/2	1
15	9545-017-009	Screw, HxCap 1/2-13x11/2	1
16	9040-077-005	Belt, Tumbler Drive	1
17	9040-077-003	Belt, Drive	1
18	9 -151-000	Spring, Belt Tension	1
19	9099-012-002	Chain, Spring Tension	1
20	9248-022-002	Hook, Tension	1
21	9074-275-004	Cover-Blower Impeller	1
22	9074-275-005	Cover-Blower Impeller	1
23	9545-008-001	Screw 10Bx 1/4"	4
*	9208-050-001	Guard Rear, Drive	1
*	9454-685-001	Panel, Drive Guard, RH	1
*	9550-180-001	Shield, Motor	1
*	9545-008-003	Screw 10-16x 1/2Tek	2
*	9545-008-001	Screw 10Bx1/4	11



## Control Box Group

Key	Part Number	Description	Quantity
1	9807-085-001	Box Assembly, Control.	1
*	9074-284-001	Cover, Control Box.	1
*	9545-008-026	Screw	4
2	5192-293-001	Relay, Reversing	1
*	9545-044-002	Screw	2
*	8640-411-003	Nut.	2
3	9897-035-001	Terminal Block Assembly, Power	1
4	9558-029-002	Strip, Terminal Marker.	1
*	9545-045-002	Screw	2
5	8711-007-001	Transformer, Control	1
*	9545-012-015	Screw	2
6	5192-295-012	Relay, Blower	1
7	8639-621-007	Screw, Ground	1
*	8641-582-006	Lockwasher, Ground Screw	1

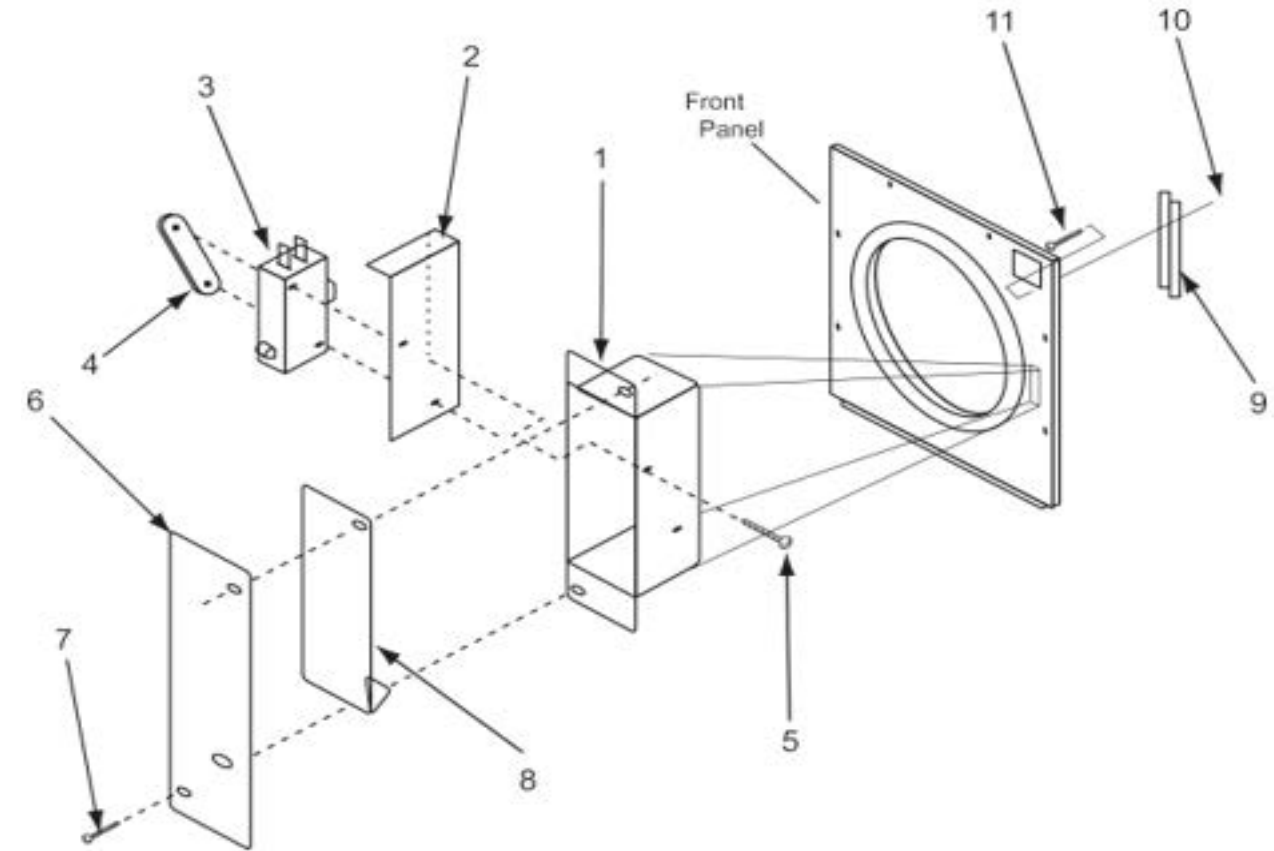
\* Not Illustrated



## Door Switch Group

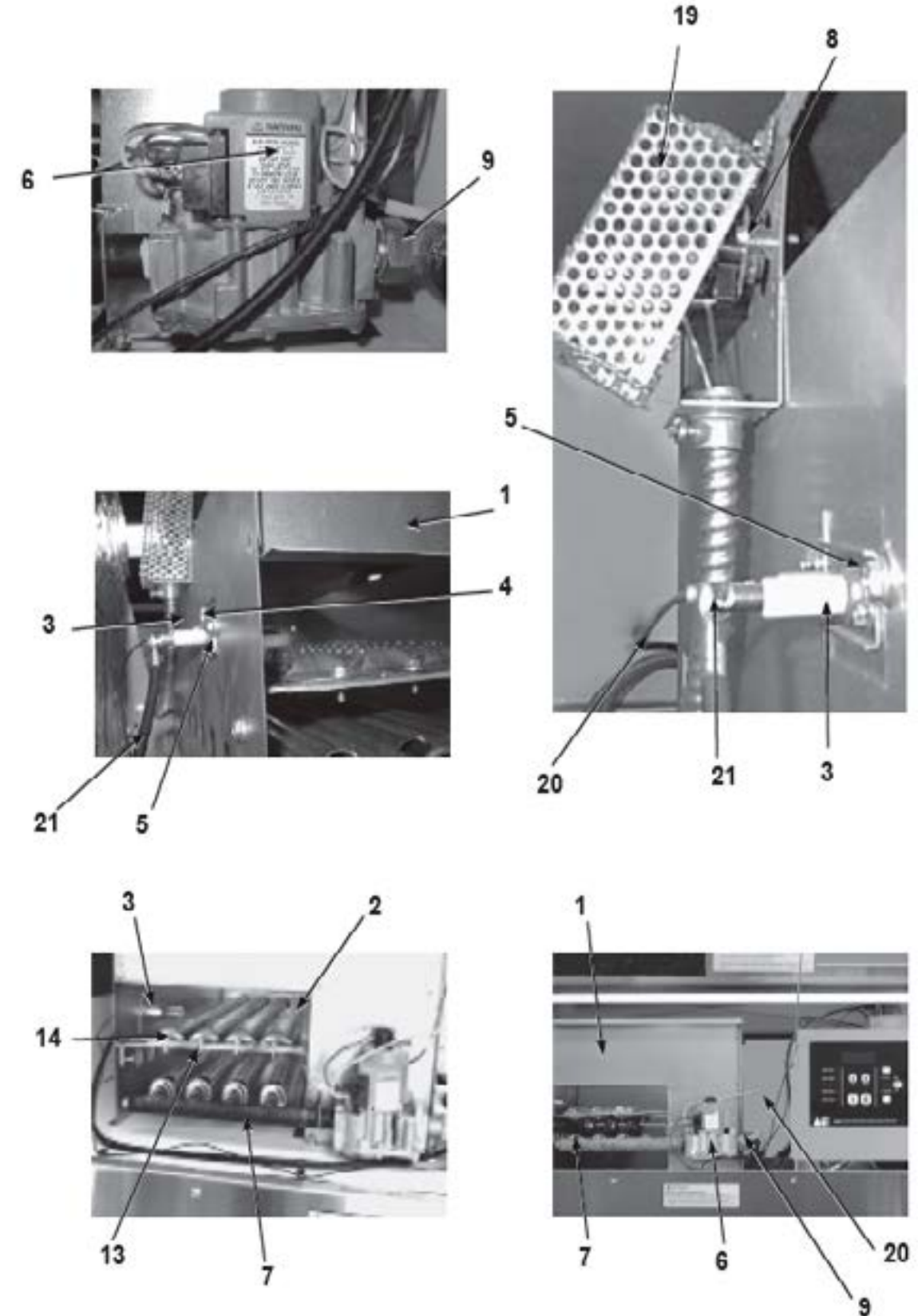
Key	Part Number	Description	Quantity
1	9041-076-001	Box, Door Switch .....	1
2	9550-159-001	Shield, Door Switch .....	1
3	9539-461-001	Switch, Door .....	1
4	8640-401-001	Nut, Special Twin #4-40 .....	1
5	9545-020-001	Screw, Pn Hd Sl.#4-40x5/8 .....	2
6	9074-255-001	Cover, Switch Box.....	1
7	9545-008-020	Screw, Box Cover 10 AB x 3/4" .....	2
8	9008-004-001	Actuator, Switch .....	1
9	6068-041-002	Conduit Special .....	1
10	9545-012-003	Screw. 10-32 x 1/2" .....	1
*	8641-436-000	Washer, Fiber .....	1
11	8640-413-004	Nut, ElasticStop 10 -32.....	1

\* Not Illustrated



## Burner Housing Group

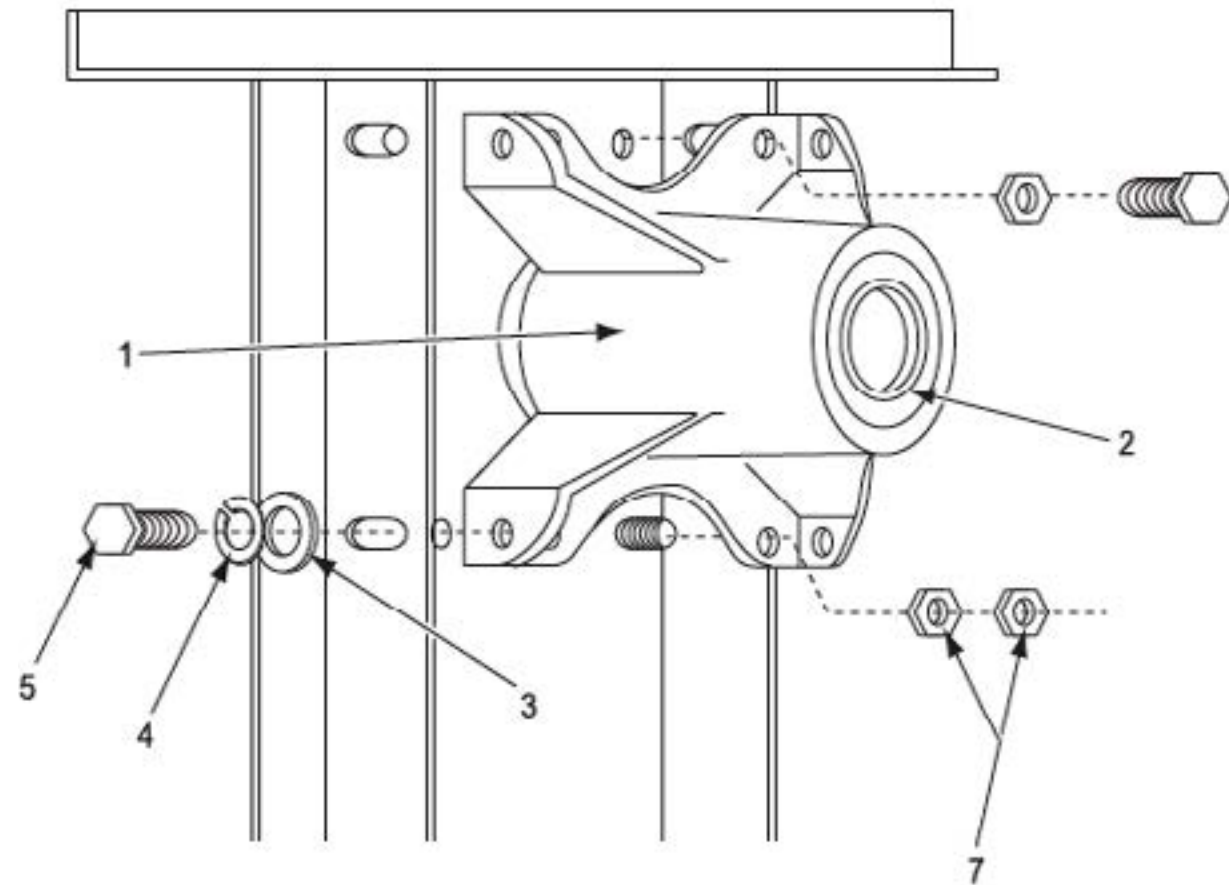
Key	Part Number	Description	Quantity
1	9803-195-001	Housing Assembly, Burner	1
*	9545-008-024	Screw	4
2	9048-018-001	Burner, Main	4
*	9545-008-008	Screw 10T-32 x 1/2	4
3	9875-002-002	Electrode, Ignition	1
4	9452-645-001	Plate, Electrode Mtg	1
5	9545-045-001	Screw, Electrode Mtg 8B x 11/4"	2
6	9857-134-002	Control Assy, Gas	1
7	9381-011-001	Manifold, Assy 4 port	1
*	9425-069-021	Orifice, Burner-Natural	4
*	9425-069-022	Orifice, Burner-LP	4
8	9576-203-002	Thermostat, Hi-Limit	1
*	9538-142-001	Spacer, Hi-Limit	2
*	9545-045-007	Screw 8B x 3/4"	2
19	9074-234-001	Cover, Hi-Limit Stat	1
*	9545-008-024	Screw 10 B x 3/8"	1
*	9857-116-003	Control, Ignition (Gray Box)	1
*	9545-044-002	Screw 6-32 x 1"	2
*	8640-411-003	Nut, Hex Keps #6-32	2
*	9897-026-001	Terminal Block Power (Inside Control Panel)	1
*	9545-031-004	Screw 6 AB x 5/8"	2
*	9039-915-001	BRACKET, Pipe gas line	1
*	9545-008-003	Screw 6AB x 5/8"	2
21	9631-403-003	Wire Ass'y, High Voltage	1
20	9627-711-001	Harness, Low Voltage Ignition	1
*	9054-045-001	Fuseholder	1
*	8636-018-001	Fuse 1.5 amps	1
*	8711-007-001	Transformer, Control (In rear control box)	1
*	9545-008-026	Screw, #10x1/2"	2
*	9732-102-010	Kit, LP Conversion 4 Burner	1
13	9548-280-001	Support, Front Burner	1
14	9545-008-008	Screw 10T-32 x 1/2"	1
*	9454-731-001	Left side burner housing	1
*	9454-730-001	Right side burner housing	1
9	9379-164-002	Valve, Gas Shut-Off w/ brass union	1
*	9458-020-004	Pipe, Gas Line	1
*	9454-737-001	Front Side Burner Housing	1



## Bearing Housing Group

Key	Part Number	Description	Qty
*	9803-189-001	Housing, Bearing Ass'y w one( rear ) bearing	1
1	9241-183-003	Housing, Bearing	1
2	9036-159-001	Bearing, Ball-Rear	1
*	9036-159-002	Bearing, Ball-Front	1
3	8641-581-026	Washer, Flat 1/2"	4
4	8641-582-004	Lockwasher spring 1/2"	4
5	9545-017-004	Bolt, 1/2-13x1	4
6	9545-059-003	Screw, 7/16-14x1 1/2	2
*	8641-582-013	Lockwasher, 7/16	2
7	8640-416-001	Nut, 7/16-14.	4

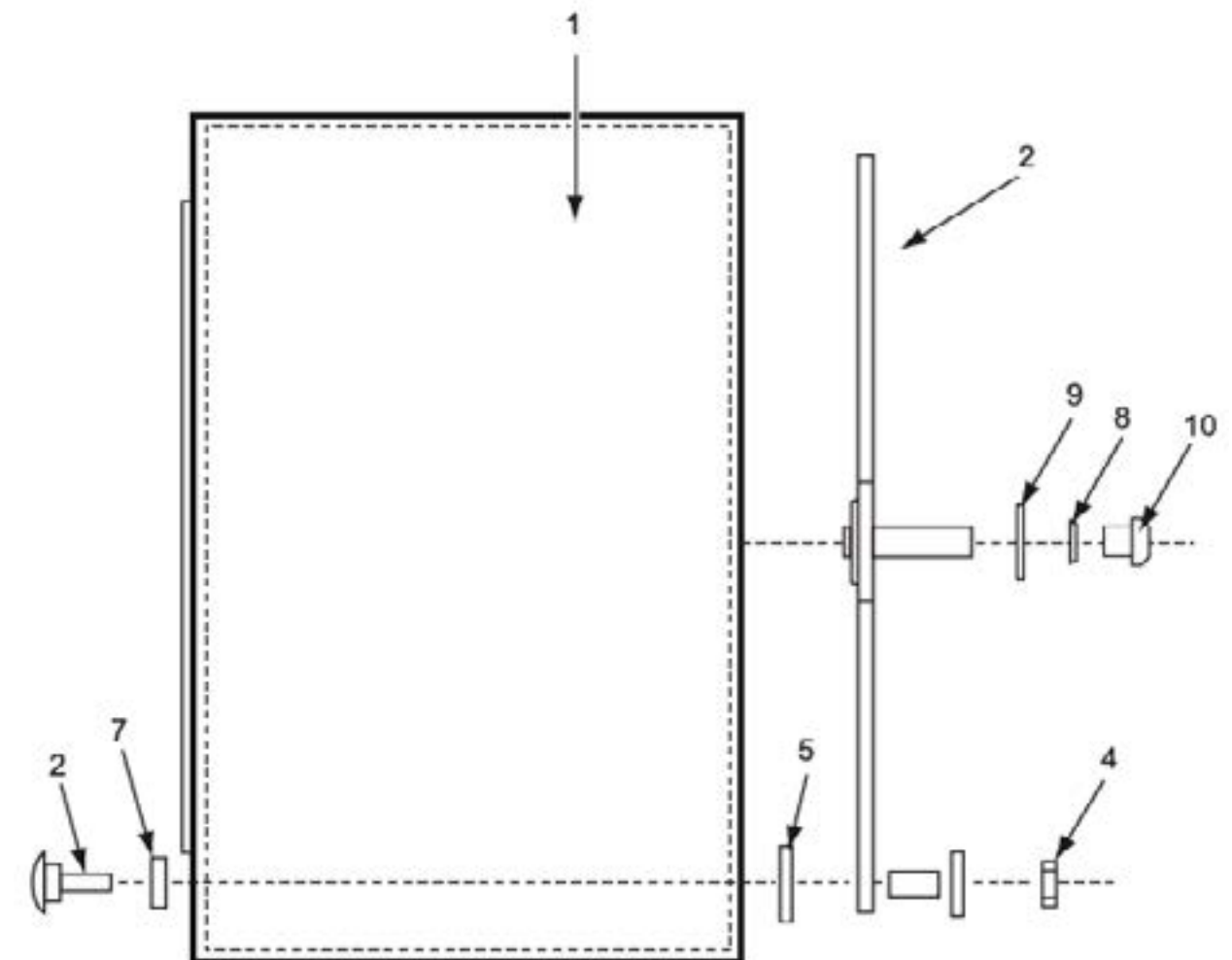
\* Not Illustrated



## Tumbler Basket Group

Key	Part Number	Description	Qty
1	9848-118-001	Tumbler Ass'y .....	1
2	9873-005-001	Spider Ass'y with bearing on.....	1
3	9497-226-001	Rod, Tumbler .....	4
4	8640-417-002	Nut 1/2"-13.....	4
5	9552-013-000	Shim.....	4
*	8641-582-004	Washer, Spring Lock.....	4
7	8641-590-001	Washer, Tumbler Rod Special .....	4
*	9487-234-001	Ring, Tolerance.....	1
8	8641-582-016	Lock Washer ext tooth 1/2", Tumbler Shaft .....	1
9	8641-581-026	Flat Washer 1/2",Tumbler Shaft.....	1
10	9545-017-009	Screw, Tumbler Shaft 1/2-13 x 11/4" .....	1

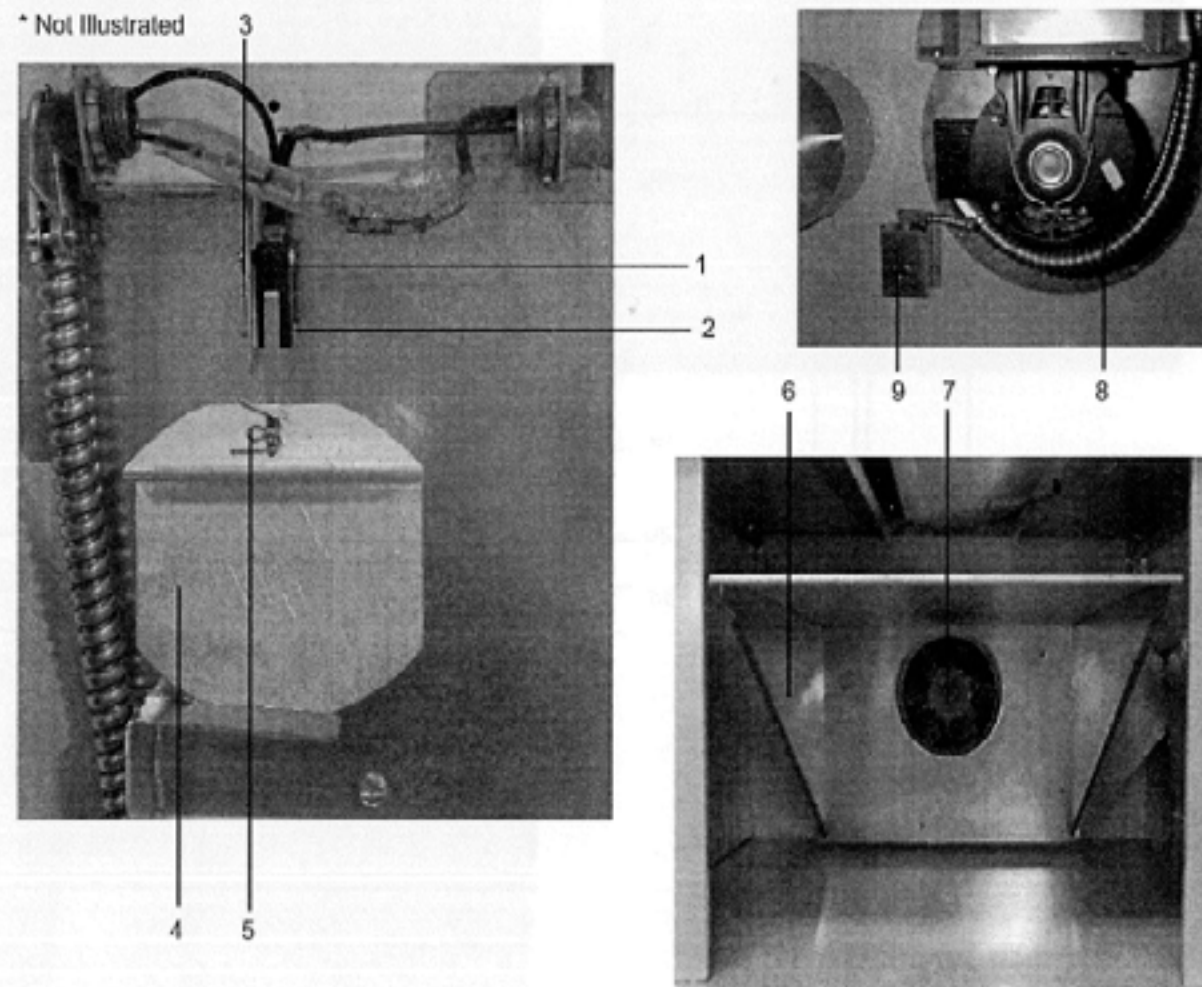
\* Not Illustrated





## Blower Impeller and Air Flow Switch Group Over Temperature Switch

Key	Part Number	Description	Quantity
1	9539-461-009	Switch, Air Row.....	1
*	9550-169-003	Shield, Air Flow Switch.....	1
2	9545-020-001	Screw, Hx #4-40x5/8.....	2
3	8640-401-001	Nut, Special Twin #4-40.....	1
4	9008-007-001	Actuator-Switch, Air Flow.....	1
5	9451-169-002	Pin, Cotter.....	1
6	9834-009-001	Hood Ass'y, Lint.....	1
*	8640-412-004	Nut, Whizlock.....	6
*	9822-031-002	Lint Screen 34" length.....	1
7	9278-037-003	Impeller, w/set screws.....	1
8	9376-302-002	Motor, Blower.....	1
*	9074-275-002	Cover-Half, Blower Impeller (Flat).....	1
*	9074-275-003	Cover-Half, Blower Impeller(Fornd).....	1
*	9545-008-001	Screw, Hex #10Bx1/4.....	4
*	9576-207-006	Thermostat, Safety.....	1
9	9825-057-002	Cover, Safety Thermostat.....	1
*	9545-008-024	Screw, Hx. #10ABx3/8.....	2



## Wire & Harness Group

Key	Part Number	Description	Qty
1	6068-044-008	Conduit 1/2 x 66" use at top motor.....	1
	8653-068-007	Connector 1/2" 45 use at top motor.....	1
	8653-068-005	Connector 1/2" Str. use at top motor.....	1
	2114-018-001	Bushing Anti-short 1/2 use at top motor.....	2
*	8220-088-007	Wire red/yel 79" use at top motor.....	1
*	8220-088-008	Wire wht/yel 79" use at top motor.....	1
*	8220-088-009	Wire blu/wht 79" use at top motor.....	1
2	6068-044-006	Conduit 1/2 x 25" use at blower motor.....	1
*	8653-068-005	Connector 1/2" 45 use at blower motor.....	2
*	2114-018-001	Bushing Anti-short 1/2 use at blower motor.....	2
*	8220-057-001	Wire Assy. Gry, 34" use at blower motor.....	1
*	8220-057-002	Wire Assy. Brn, 34" use at blower motor.....	1
*	8220-088-004	Wire Assy, Red, 41" use at blower motor.....	1
*	8220-088-005	Wire Assy. Wht, 41" use at blower motor.....	1
*	8220-088-006	Wire Assy. Blk, 41" use at blower motor.....	1
3	6068-037-026	Conduit 3/8 x 44 1/2 use at Hi limit burner.....	1
*	8653-068-003	Connector 3/8" Str use at Hi limit burner.....	1
*	8653-068-004	Connector 3/8" 90 use at Hi limit burner.....	1
*	2114-008-000	Bushing Anti-short 3/8 use at Hi limit burner.....	2
*	8220-095-023	Wire Assy. Brn, 54" use at Hi limit burner.....	1
*	8220-103-001	Wire Assy. Vio, 54" use at Hi limit burner.....	1
4	6068-037-028	Conduit 3/8 x 26 1/2 use at air flow switch.....	1
*	8653-068-003	Connector 3/8" Str use at air flow switch.....	1
*	8653-068-004	Connector 3/8" 90 use at air flow switch.....	1
*	2114-008-000	Bushing Anti-short 3/8 use at air flow switch.....	1
*	8220-078-007	Wire Assy. Blk 40" use at air flow switch.....	1
*	8220-064-008	Wire Assy. Brn 40" use at air flow switch.....	1
5	6068-037-022	Conduit 3/8 x 23 1/2 use at manual reset hi limit.....	1
*	8653-068-006	Connector 3/8" 45 use at manual reset hi limit.....	1
*	8653-068-004	Connector 3/8" 90 use at manual reset hi limit.....	1
*	2114-008-000	Bushing Anti-short 3/8 use at manual reset hi limit.....	2
*	8220-101-008	Wire Assy. Blk. 34" use at manual reset hi limit.....	1
*	8220-101-009	Wire Assy. Red 34" use at manual reset hi limit.....	1
6	6068-044-005	Conduit 1/2 x 90" at rear to front.....	1
*	8653-068-005	Connector 1/2" Str at rear to front.....	1
*	8653-068-007	Connector 1/2" 45 at rear to front.....	1
*	2114-018-001	Bushing Anti-short 1/2 at rear to front.....	2
*	8220-062-004	Wire Assy. Wht. 108" at rear to front.....	1
*	8220-065-028	Wire Assy. Vio 110" at rear to front.....	1
*	8220-062-006	Wire Assy. Blk. 124" at rear to front.....	1
*	8220-064-005	Wire Assy. Red 108" at rear to front.....	1
*	8220-064-006	Wire Assy. Gray 110" at rear to front.....	1
*	8220-065-019	Wire Assy. Wht/Org 110" at rear to front.....	1
*	8220-065-020	Wire Assy. Org 110" at rear to front.....	1
*	8220-001-230	Wire Assy. Blk/Red 8 1/2" in control box.....	1
*	8220-001-231	Wire Assy. Blk/Blu in control box.....	1
*	8220-001-478	Wire Assy. Grn. 7" in control box.....	1
*	8220-065-006	Wire Assy. Blk/Red 11" in control box.....	3
*	8220-065-007	Wire Assy. Blk/Blu 11" in control box.....	1
*	8220-068-001	Wire Assy. Blk/Red 5" in control box.....	7
*	8220-068-002	Wire Assy. Blk/Red 7" in control box.....	1
*	8220-068-004	Wire Assy. Blk/Red 11" in control box.....	2
*	8220-112-001	Wire Assy. Jumper in control box.....	1