



DEXTER[®]
LAUNDRY

**USE THE BLUE TABS LOCATED ON THE
RIGHT AND LEFT SIDES OF THE FOLLOWING
DOCUMENT TO ADVANCE TO EACH SECTION.**

Kits, Assemblies, & Common Parts

Loading Door Components	Part Number
Door Handle	9244-082-001
Door Switch	9539-461-001
Electrical Components	Part Number
Relay, Motor Run	5192-295-011
Transformer, Control	8711-007-001
Heating Circuit Components	Part Number
Ignition Control Module	9857-116-003
Ignition Electrode Assembly	9875-002-003
Thermostat, Hi-Limit	9576-203-002
Thermostat, Overtemp	9576-207-006
Fuseholder	9200-001-002
Fuse 1.5 amp	8636-018-001
Cabinet Components	Part Number
Cleanout Duct Assembly 8"	9973-034-001

Section 6:

Parts Data

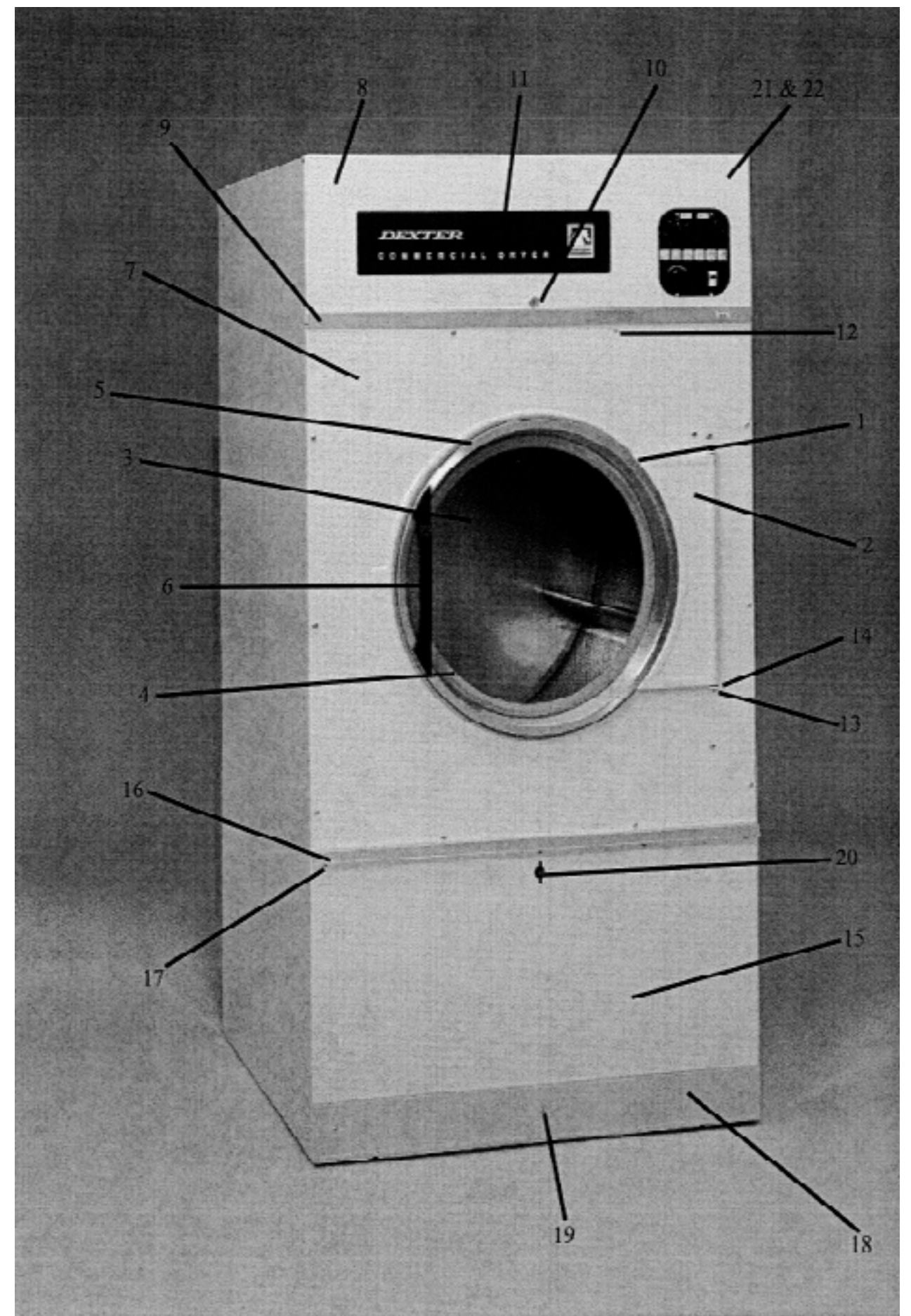
N-Series On-Premise

Models
DRH80

Cabinet Group by Part

Key	Part Number	Description	
*	9960-256-021	Door Assy., Loading Complete-Wht	1
*	9960-256-025	Door Assy., Loading Complete-SS	1
1	9960-255-007	Door Assy., loading-SS	1
2	9982-280-002	Plate Assy., Hinge (Wht)	1
2	9982-280-011	Plate Assy., Hinge (SS)	1
*	9545-012-015	Screw, Hinge to Door 10-32 x 3/8"	4
*	8640-413-002	Nut, Hinge to Door #10-32 UNF	4
3	9212-002-003	Glass, Door	1
4	9206-164-009	Gasket, Glass	1
*	9548-117-000	Support, Odor Glass (inside gasket)	1
5	9206-420-002	Gasket, Outer Rim	1
6	9244-082-001	Handle, Loading Door	1
*	9545-018-017	Screw, Handle 1/4"-13 x 1 1/4"	2
*	9531-033-001	Stud, Door Catch	1
*	8640-413-001	Nut, Hex	
*	8640-413-003	Nut, Acorn # 10-32	1
*	9086-015-002	Catch, Loading Door	1
7	9989-460-003	Panel Assy., Front- white	1
7	9989-460-001	Panel Assy., Front- S. Steel	1
8	9108-100-001	Door, Upper Service-S.S	1
8	9108-100-003	Door, Upper Service-White	1
9	9578-090-002	Trim, Door-Upper Service	1
*	6292-006-006	Key (only) (FJWCC)	1
10	8650-006-003	Lock w/ nut, Upper Service Door	1
*	8638-211-001	Rivet, Drive	2
*	8641-581-005	Washer, Flat 3/16"	2
*	9548-243-002	Support, Upper Door	1
11	9412-083-001	Nameplate, Commercial Dryer	1
12	9545-012-003	Screw, Chrome 10-32 x 1/2"	4
*	8641-436-004	Washer, Fiber	4
*	8641-582-019	Lockwasher # 1 O	10
*	8640-399-001	Nut, Spring U type 1 OZ	6
13	9544-047-002	Strap, Hinge (White)	1
13	9544-047-007	Strap, Hinge (Gray)	1
*	9545-008-008	Screw, Hinge to Panel 10T-32 x 1/2"	4
14	9545-052-001	Screw, Door to Hinge Strap (special)	1
*	8641-436-003	Washer, Fiber/ Plastic	1
15	9960-'261-003	Door Ass y, Lower Service-SS	1
15	9960-261-001	Door Ass y, Lower Service-White	1
16	9578-088-001	Trim, Door - Lower Service	1
17	9545-008-021	Screw,Pn Hd Cr., #10Bx3/8	5
18	9578-084-002	Trim, Kick- Lower Service Door	1
19	9545-008-010	Screw, Tr Hd Cr'-#10x1/2 Blk	3
20	8650-026-001	Latch, Lower Door (Thumbturn)	1
*	8544-005-000	Leg, Leveling	4
*	9049-074-001	Baffle, Cabinet- Left	1
*	9049-'074-002	Baffle,.Cabinet- Right	1
*	9545-008-003	Screw, #10x1/2 TEK	8
21	9074-273-001	Cover, Cabinet	1
22	9545-008-024	Screw	10

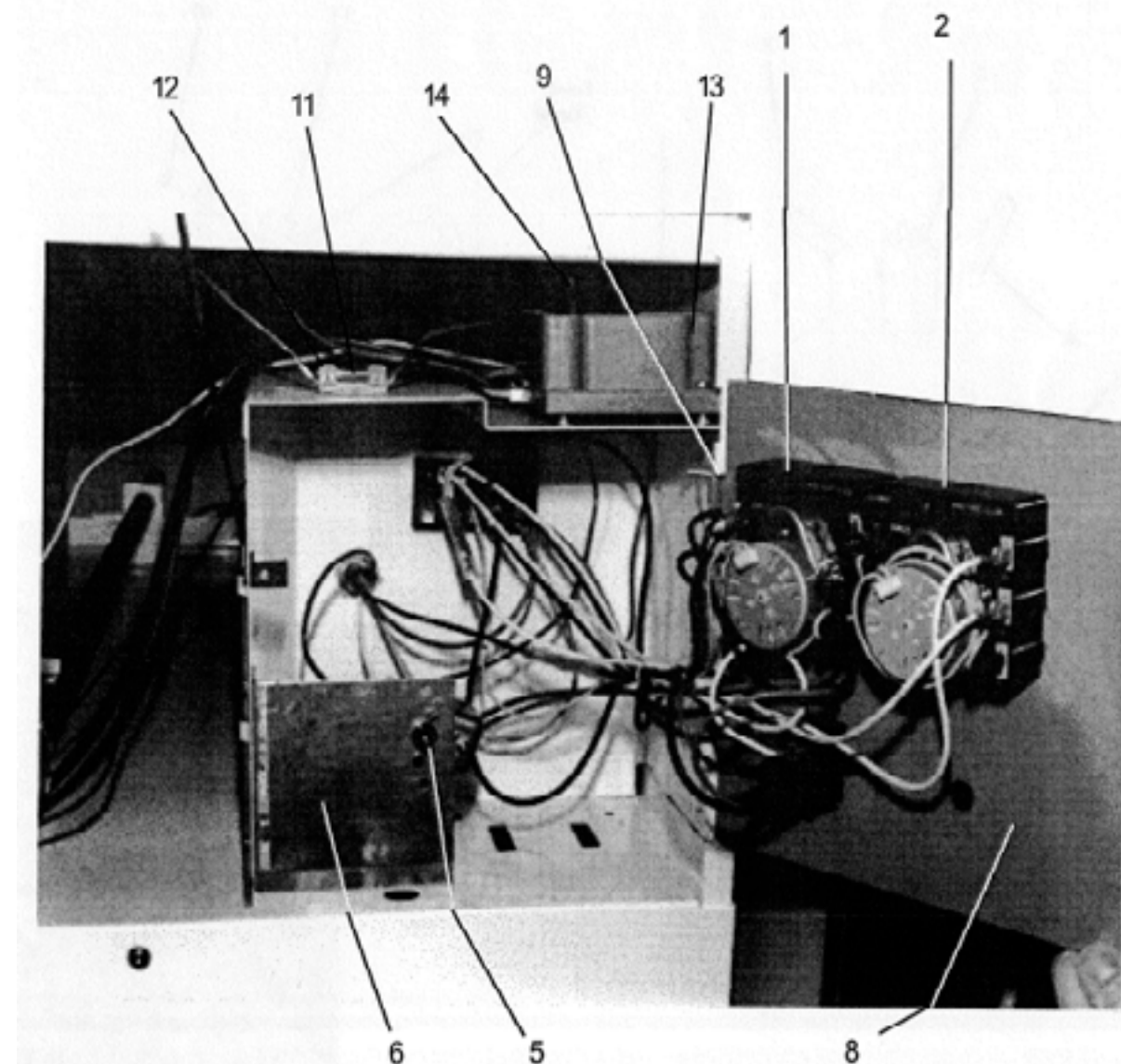
* Not Illustrated



Control Housing Group Part # by Model

Key	Part Number	Description	Qty
1	9571-350-004	Timer, Dry Time	1
2	9571-350-004	Timer, Cool-down Time	1
3	9307-176-001	Knob, Timer	3
*	9545-010-003	Screw, Hx #8-32x3/16	4
4	9539-460-002	Switch, Push-To-Start	1
5	9576-209-003	Thermostat, Temp. Control	1
6	9029-085-001	Bracket, Thermostat	1
7	9307-176-001	Knob, Temperature Control	1
*	9545-045-008	Screw, #8 Abx3/8	6
*	9029-088-001	Bracket, Bulb Mtg	1
*	9079-121-002	Clamp, Tube	1
8	9452-666-002	Plate Assembly, Control Mounting	1
9	9451-146-005	Pin- Hinge meterplate	2
10	8527-114-001	Decal, Control Panel	1
11	9054-045-001	Fuseholder	1
12	8636-018-001	Fuse	1
13	9857-116-002	Control, Ignition	1
14	9631-403-003	Wire Ass'y High Voltage	1

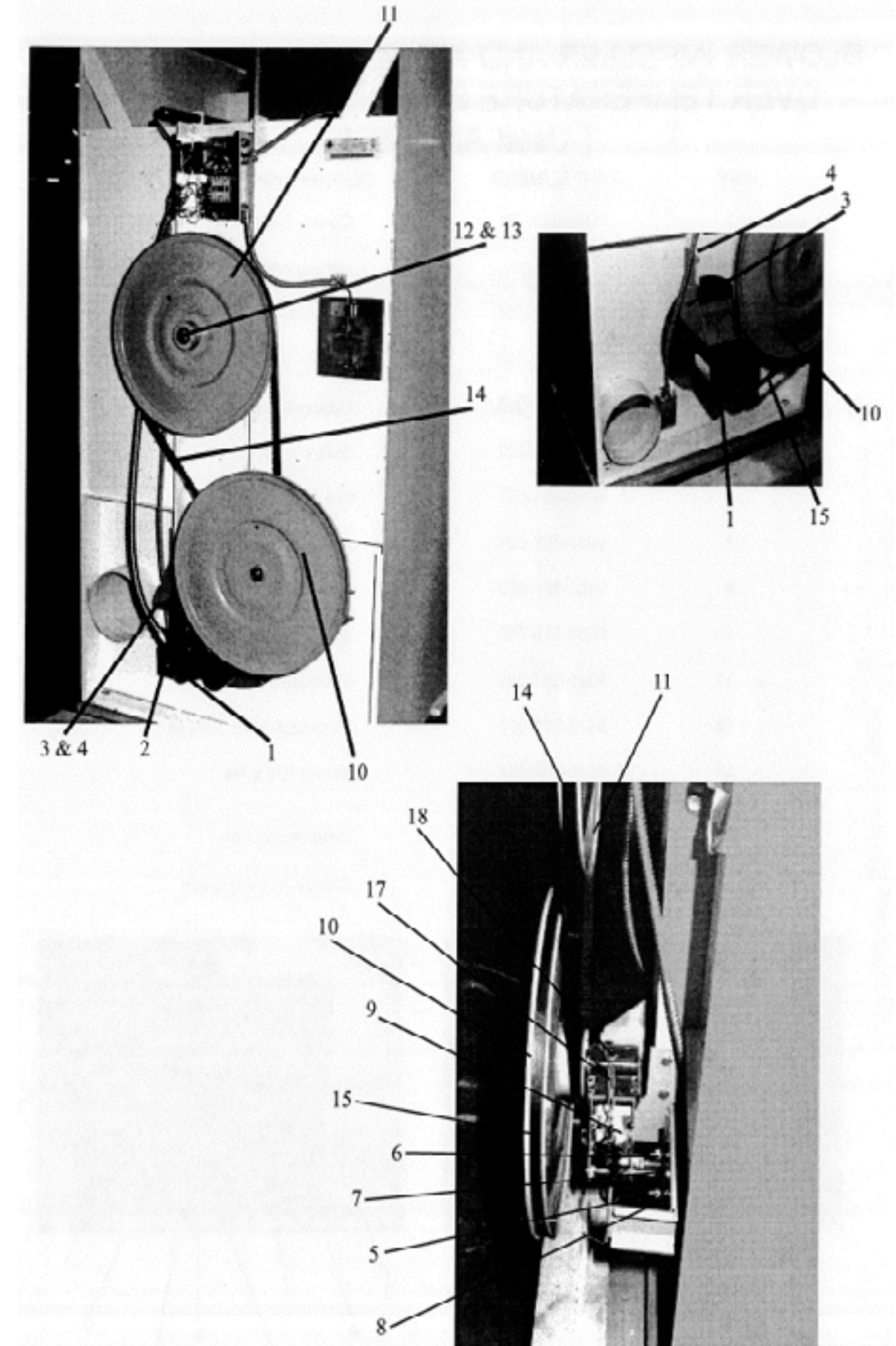
* Not Illustrated



Drive Group by Part

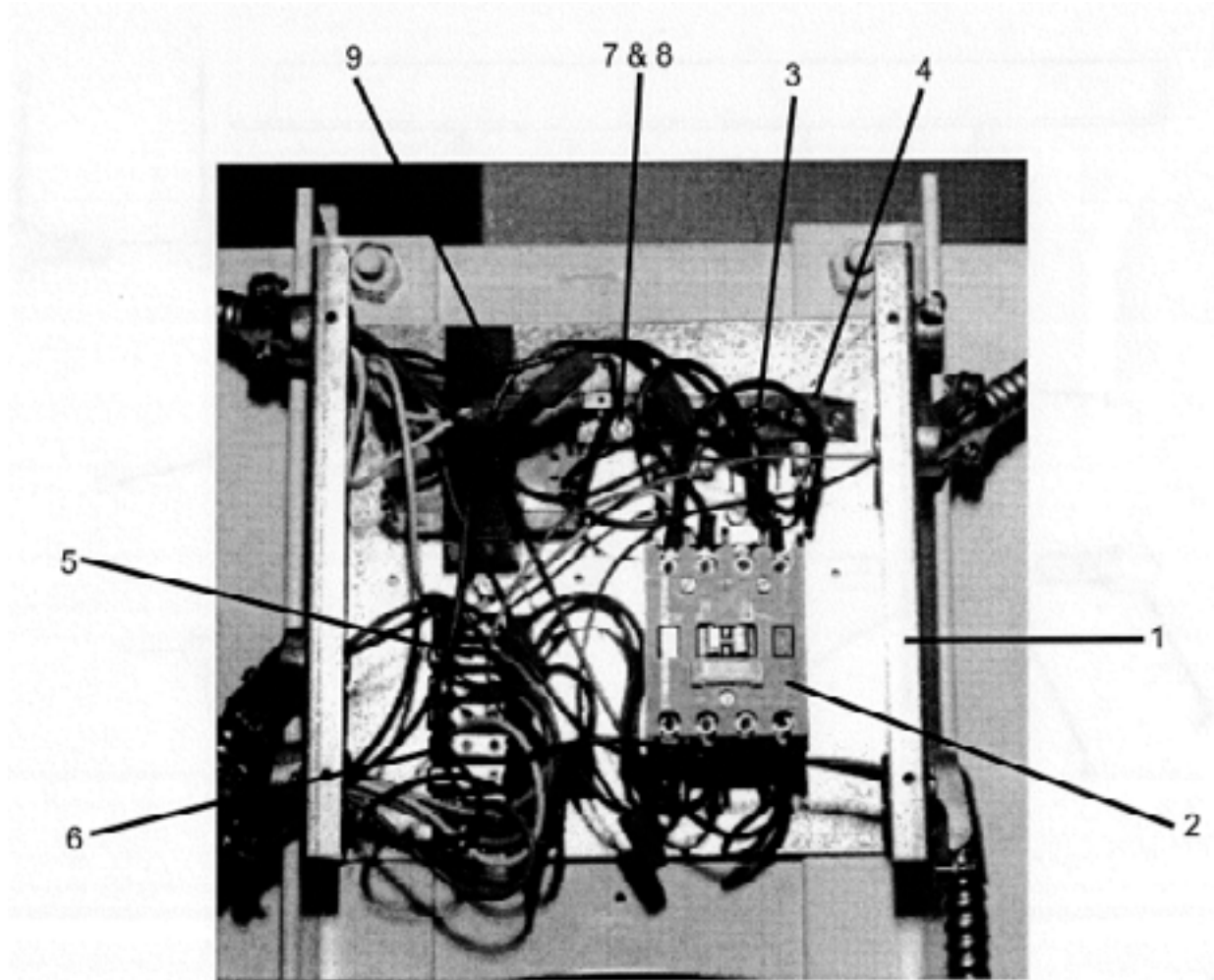
Key	Part Number	Description	Qty
1	9376-299-002	Motor, Drive	1
*	9545-014-004	Screw, Hx 5/16	4
*	8640-400-003	Nut	4
2	9453-157-001	Pulley, Motor	1
*	9545-028-013	Screw, Set	2
3	9991-054-002	Support Assy, Motor	1
4	9545-029-005	Screw 3/8-16 x 1"	4
4	8640-415-004	Nut	4
*	9278-037-003	Impeller	1
*	9074-275-003	Cover, Impeller Formed	1
*	9545-008-001	Screw, Hx#10x1/4	4
5	9991-053-001	Support Assy, Intermed. Pulley	1
6	9545-029-010	Bolt, Rd Hd	3
7	9545-029-003	Screw	1
8	8640-415-004	Nut	3
*	8641-581-035	Washer, Flat	4
9	9861-024-003	Arm Assy-Tension Complete after serial# 124816	1
9	9861-024-001	Arm Assy-Tension, Complete	1
*	8641-581-035	Washer, Flat	6
*	9487-200-003	Ring-Retaining	2
10	9908-042-006	Pulley Assy, Intermediate after serial number #124816	1
10	9908-042-003	Pulley Assy, Intermediate	1
*	9036-159-007	Bearing, Ball-Idler Pulley	2
*	9538-173-002	Spacer, Bearing	1
11	9908-043-002	Pulley Driven	1
*	9487-234-001	Ring, Tolerance	1
12	8641-581-026	Washer, Flat	1
*	8641-582-016	Lockwasher	1
13	9545-017-009	Screw, Hx Cap	1
14	9040-077-004	Belt, Final Drive	1
15	9040-077-003	Belt, Motor Drive	1
16	9534-151-000	Spring, Belt Tension	1
17	9099-012-002	Chain, Spring Tension	1
18	9248-022-002	Hook, Tension	1
*	9208-050-001	Guard, Drive	1
*	9454-685-001	Panel, Drive Guard, RH	1
*	9454-686-001	Panel, Drive Guard, LH	1
*	9550-175-001	Shield, Motor	1
*	9545-008-003	Screw	2
*	9545-008-024	Screw	17

*Not illustrated



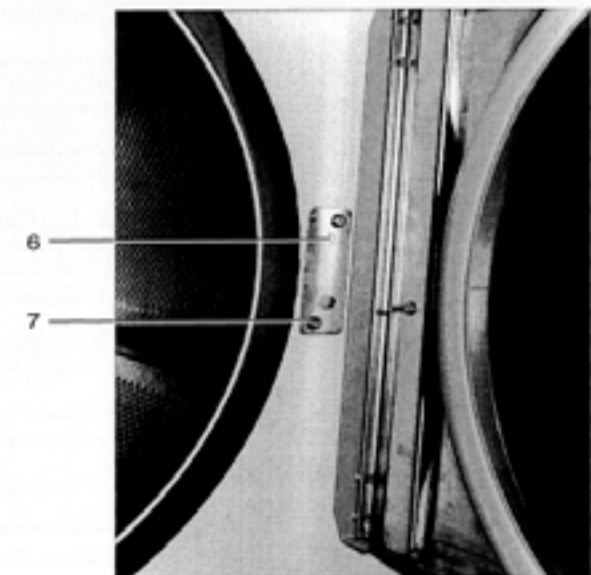
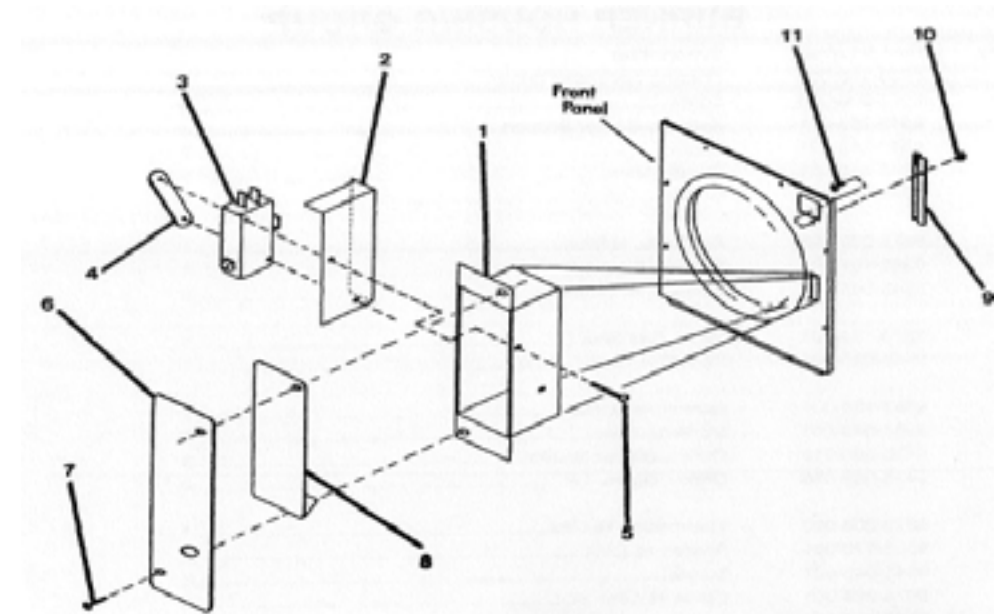
Control Box Group by Part

Key	Part Number	Description	Qty
1		Control Box	1
*	9074-280-001	Cover, Control Box	1
*	9545-008-024	Screw	4
2	5192-295-011	Relay-	1
*	9545-045-007	Screw, #8ABx 3/8	2
3	9897-035-002	Terminal Block Assembly, Power	1
4	9558-029-003	Strip, Terminal Marker	1
*	9545-045-007	Screw, #8A8x 3/8	2
5	9897-034-001	Terminal Block Assembly	1
6	9558-027-001	Strip, Terminal Marker	1
7	8652-134-001	Terminal Lug	1
8	8639-621-007	Screw, Hx #10-32 x 1/2	1
*	8641-582-006	Lockwasher, Ex Tooth# 10	1
9	8711-007-001	Transformer, Control	1
*	9545-012-009	Screw , Hx. #10ABx3/8	2



Door Switch Group by Part

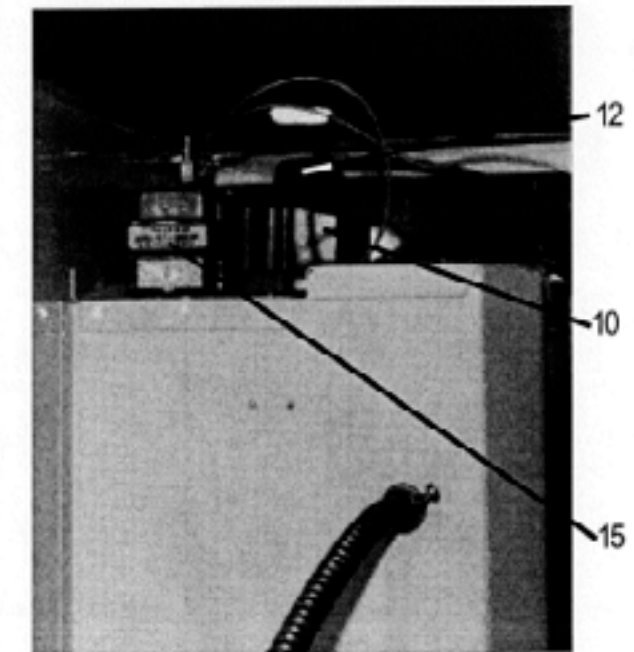
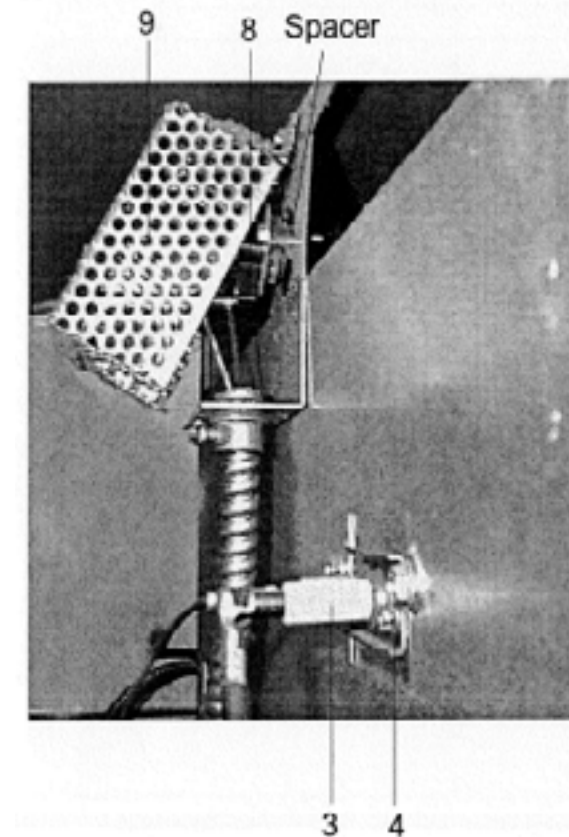
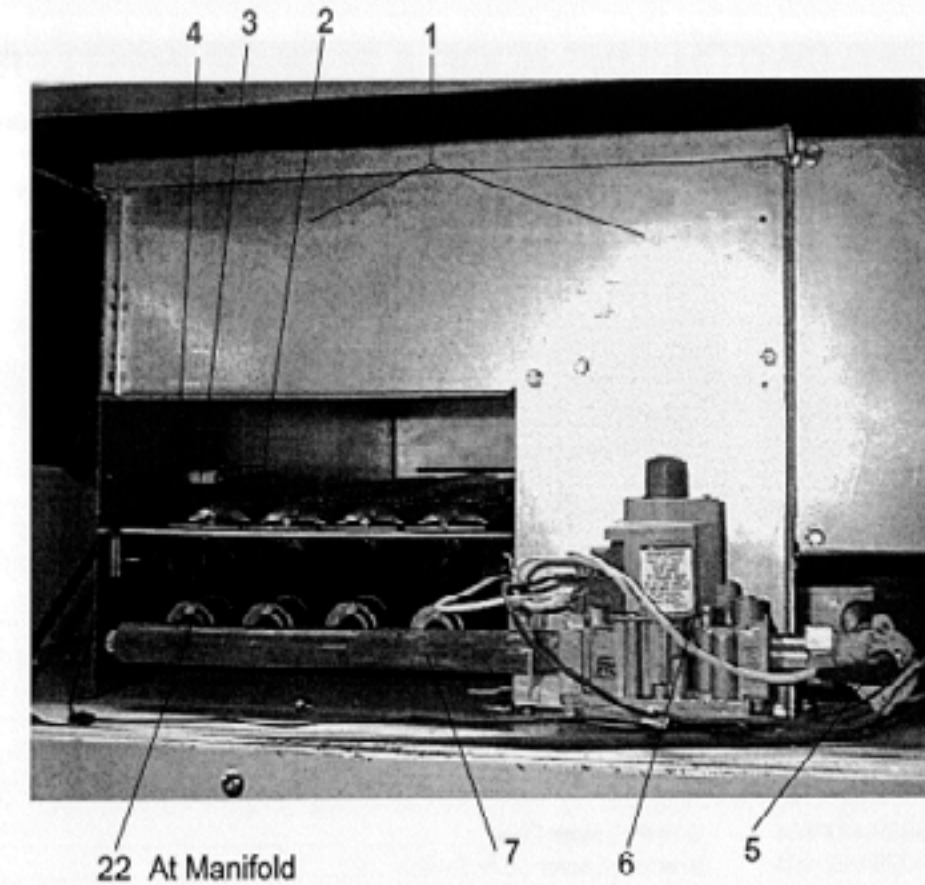
Key	Part Number	Description	Qty
1	9041-076-001	Box, Door Switch	1
2	9550-159-001	Shield, Poor Switch	1
3	9539-461-001	Switch, Door	1
4	8640-401-001	Nut, Special Twin	1
5	9545-020-001	Screw, Pn Hd Sl.#4-40 x 3/4	2
6	9074-255-001	Cover, Switch Box	1
7	9545-008-020	Screw, Box Cover	2
8	9008-004-001	Actuator, Switch- Lower	1
9	6068-041-001	Conduit.	1
10	9545-012-003	Screw	2
*	8641-436-000	Washer, Fiber	1
11	8640-413-004	Nut, Elastic Stop	2



Burner Housing Group by Part

Key	Part Number	Description	Qty
1	9803-190-001	Housing Assembly, Burner	1
*	9545-008-024	Screw	4
*	9548-280-001	Support, Front Burner Support	1
*	9545-045-001	Screw 8B x 1 1/4"	2
2	9048-018-001	Burner, Main	4
*	9545-045-001	Screw 8B x 1/14"	4
3	9875-002-002	Electrode, Ignition	1
4	9452-645-001	Plate, Electrode Mtg	1
*	9545-045-001	Screw, Electrode Mtg 88 x 11/4"	2
5	9379-164-002	Valve, Gas Shut Off	1
*	9458-020-003	Pipe, Gas Line	1
6	9857-134-002	Control Assy, Gas	1
*	9381-010-001	Manifold, Assy 3 port (Before serial number 153714)	1
22	9425-069-013	Orifice, Burner-Natural (Used only for 3 port burner manifold)	3
*	9425-069-006	Orifice LP (Used only for 3 port burner manifold before number 153714)	3
7	9381-011-001	Manifold, Assy 4 port (After serial number 153714)	1
7	9425-069-021	Orifice, Burner-Natural (Used after serial number 153714)	4
*	9425-069-006	Orifice LP (Used in kit #9732-102-010) after serial number 153714	4
*	9379-164-002	Union	1
8	9576-203-002	Thermostat, Hi-Limit	1
*	9538-142-001	Spacer, Hi-Limit	2
*	9545-045-007	Screw 88 x 3/4"	2
9	9074-234-001	Cover, Hi-Limit Stat	1
*	9545-008-024	Screw 10 Bx 3/8"	1
10	9857-116-002	Control, Ignition	1
*	9545-044-002	Screw 6-32 x 1"	2
*	8640-411-003	Nut, Hex Keps #6-32	2
*	9897-026-001	Terminal Block Power (Inside Front Control Panel)	1
*	9545-031-004	Screw 6 AB x 5/8"	2
*	9039-915-001	BRACKET, Pipe	1
*	9545-031-004	Screw 6AB x 5/8"	2
12	9631-403-003	Wire Ass y, High Voltage	1
*	9627-711-001	Harness, Low Voltage Ignition	1
*	9054-045-001	Fuseholder	1
*	8636-018-001	Fuse 1.5 amps	1
15	8711-007-001	Transformer, Control	1
*	9545-008-024	Screw, #10x1/2"	2
*	9732-102-006	Kit, LP Conversion (Use only before serial number 153714)	
*	9732-102-010	Kit, LP Conversion (Use only after serial number 153714)	

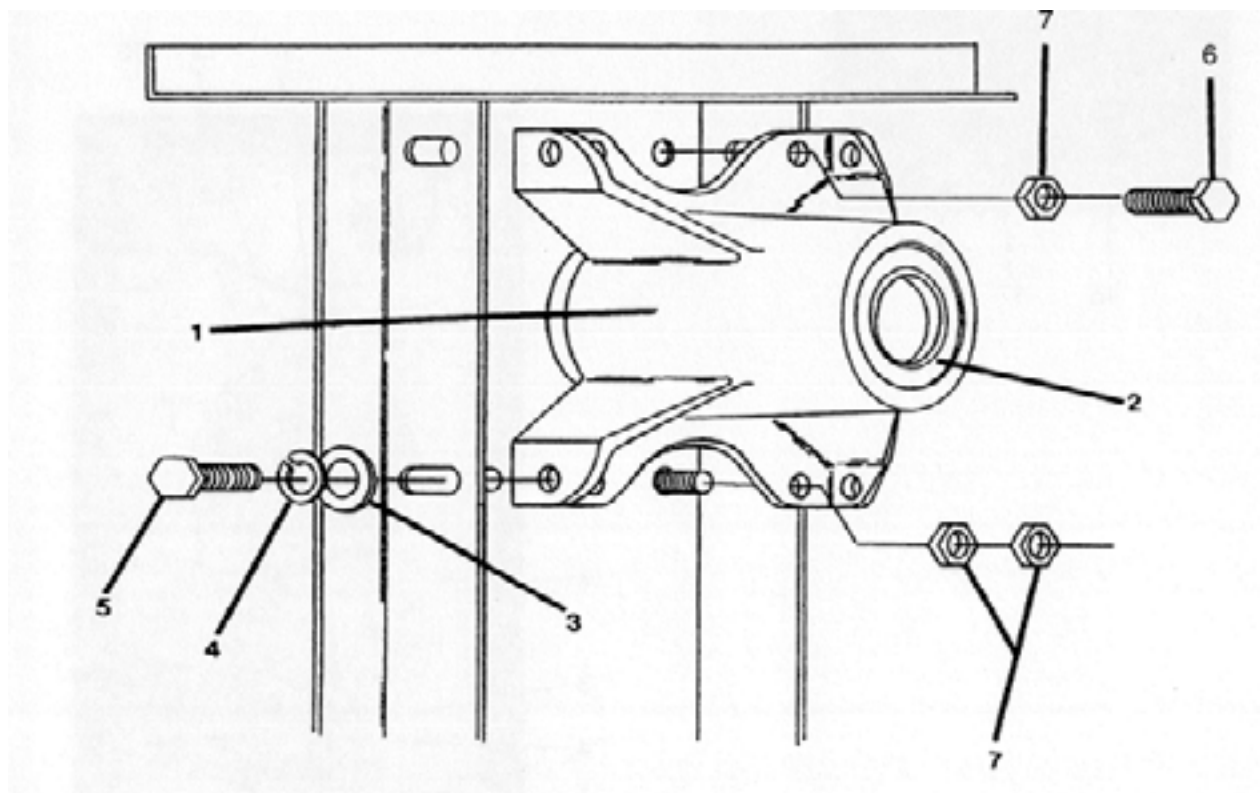
* Not Illustrated



Bearing Housing Group by Part

Key	Part Number	Description	Qty
*	9803-189-001	Housing, Bearing Ass'y (includes #1 and #2)	1
1	9241-183-003	Housing, Bearing	1
2	9036-159-001	Bearing, Ball-Rear	1
*	9036-159-002	Bearing, Ball-Front Sold on Spider	1
3	8641-581-026	Washer, Flat.	4
4	8641-582-004	Lockwasher	4
5	9545-017-004	Bolt, 1/2-13x1	4
6	9545-059-003	Screw, 7 1/16 -14x1 1/2	2
*	8641-582-013	Lockwasher, 7 1/6	2
7	8640-416-001	Nut, 7/16 - 14	4
*	9487-234-001	Tolerance Ring	1

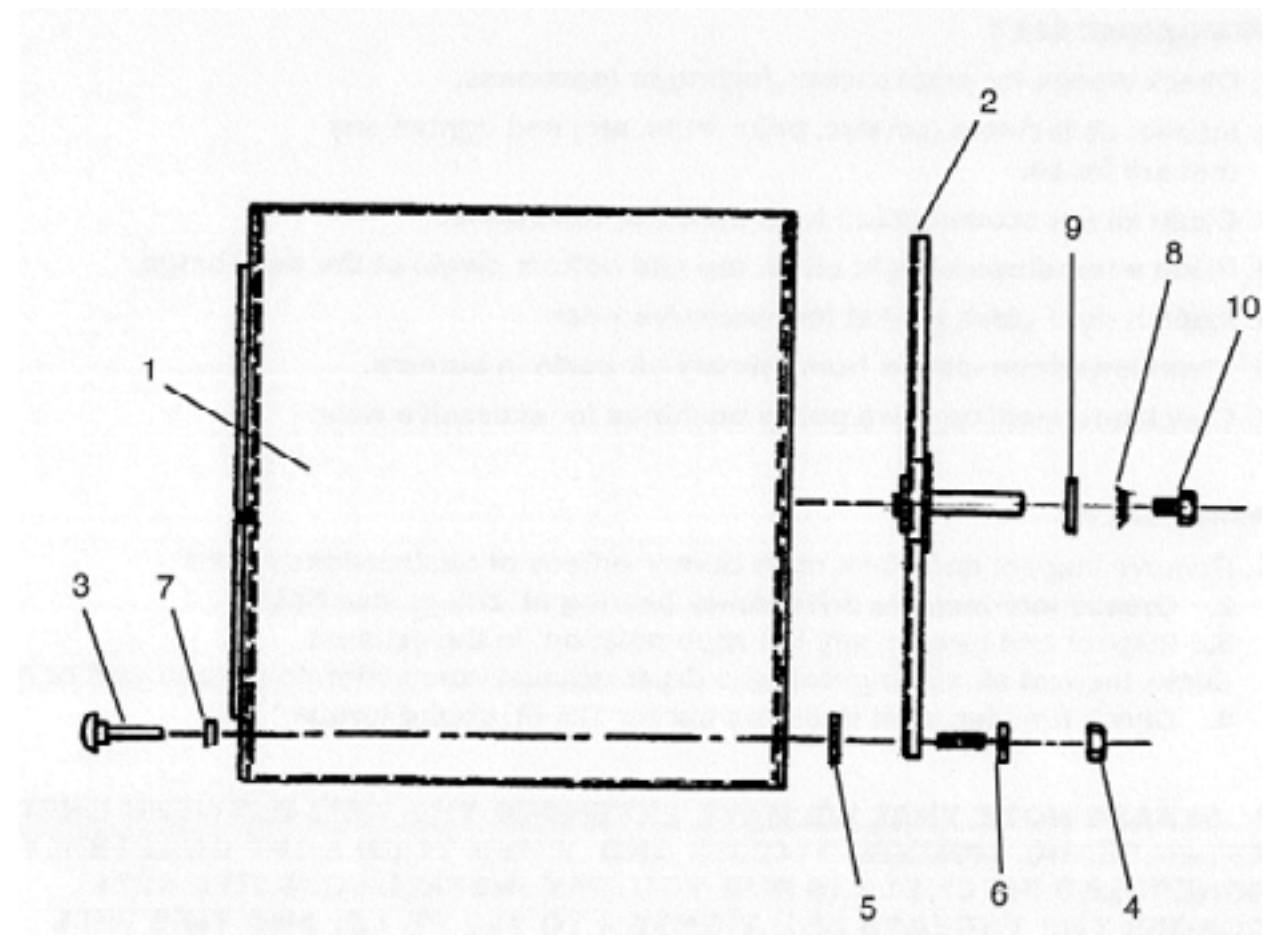
* Not Illustrated



Tumbler Group by Part

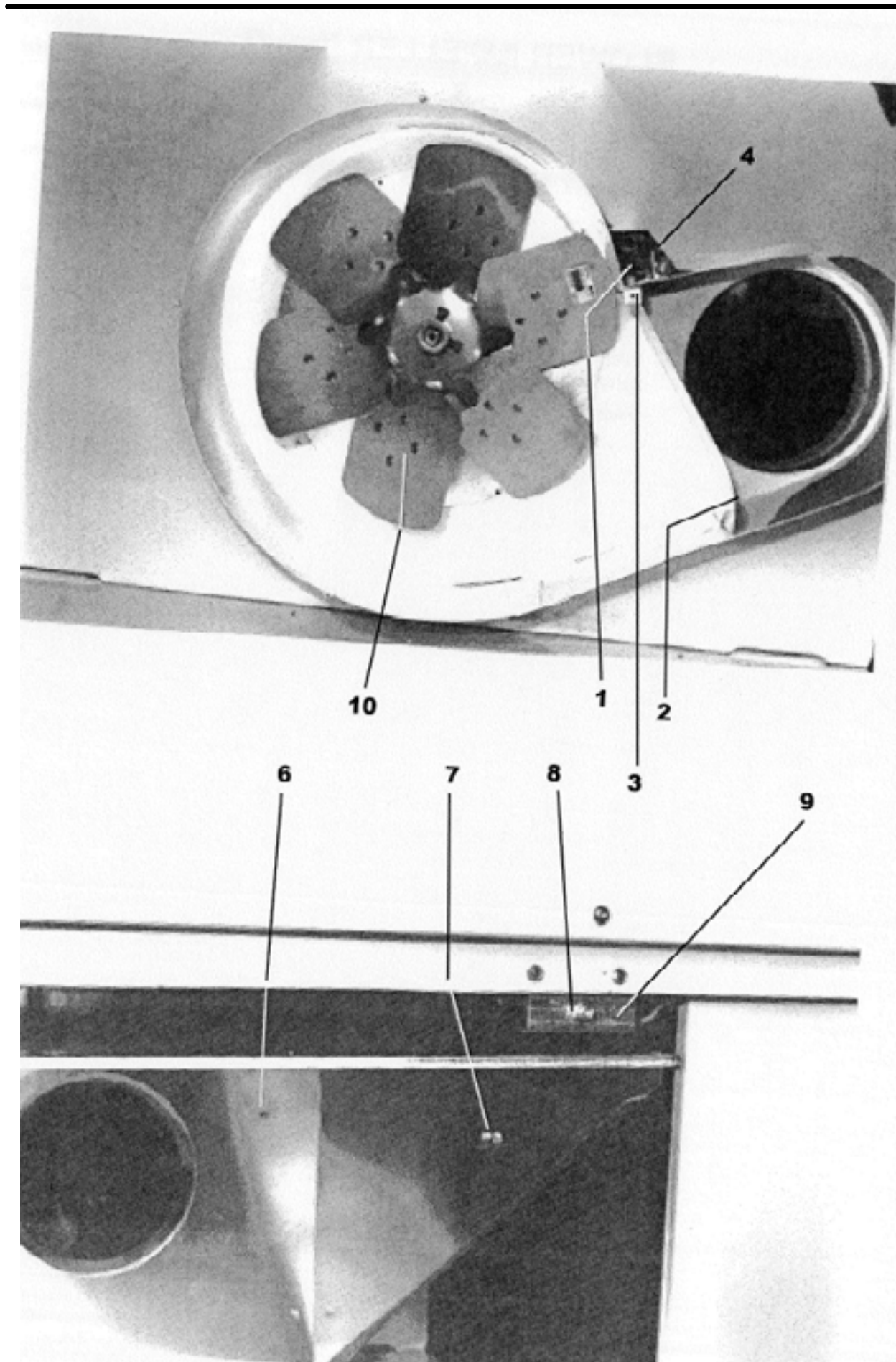
Key	Part Number	Description	Qty
1	9848-118-001	Tumbler Ass'y.	1
2	9873-005-001	Spider Ass'y w/ bearing on	1
3	9497-226-001	Rod, Tumbler	4
4	8640-417-002	Nut	4
5	9552-013-000	Shim	4
6	8641-582-004	Washer, Spring Lock	4
7.	8641-587-001	Washer, Tumbler Rod Special	4
*	9487-234-001	Ring, Tolerance	1
8	8641-582-016	Lock Washer, Tumbler Shaft	1
9	8641-581-026	Flat Washer, Tumbler Shaft	1
10	9545-017-009	Screw, Tumbler Shaft.	1

* Not Illustrated



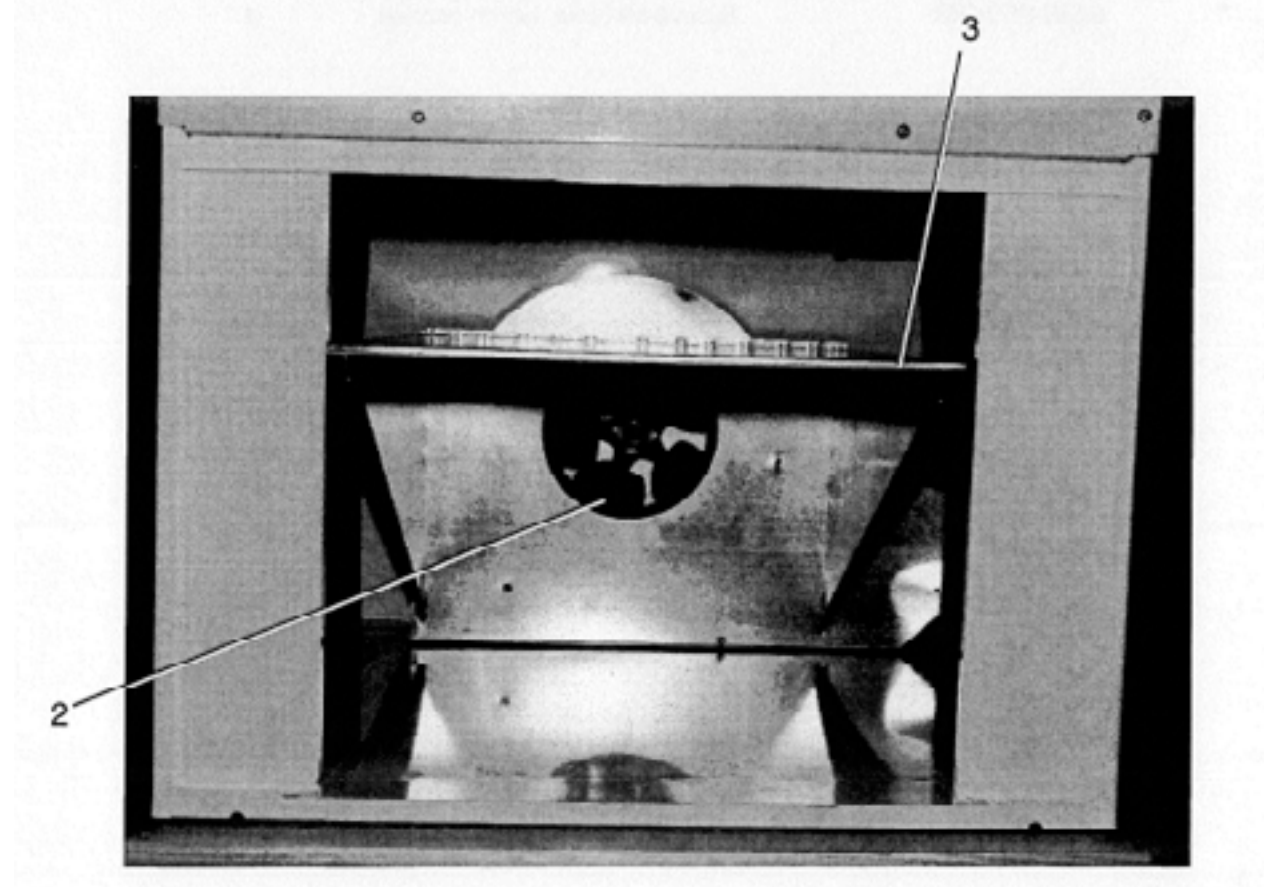
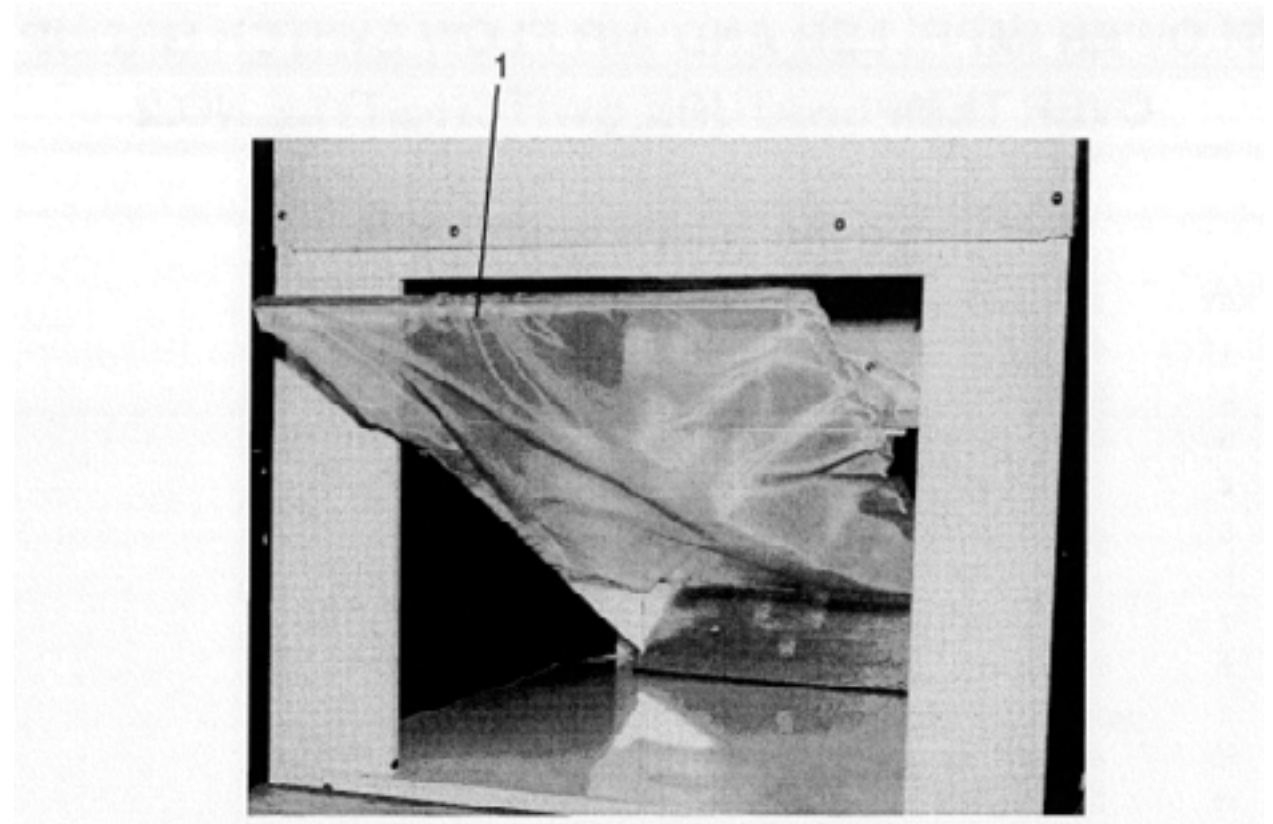
Damper Switch, Lint Hood, & Blower Impeller Group Style No. 1 (in use since 1998)

Key	Part Number	Description	Qty
1	9539-432-001	Switch, Damper	1
*	9545-044-002	Screw, Hx #6-32x1	1
*	8640-411-003	Nut, Hex #8-32	1
*	9545-044-002	Screw, Hx 6-32x1	2
*	8640-420-001	Nut, Speed Tandem	1
2	9125-001-001	Damper	1
3	9451-146-001	Pin, Damper Hinge	1
4	9074-242-002	Cover, Damper Switch	1
*	9209-037-002	Grommet.	1
5	9834-008-001	Hood Ass'y, Lint	1
6	8640-412-004	Nut, Whizlock	6
*	9822-031-001	Lint Screen 21"x36" (old style)	1
7	9576-207-006	Thermostat, Safety	1
*	9545-008-001	Screw, Hx. #10 x 1/4	2
8	9539-487-001	Switch, Lower Door	1
9	9029-092-001	Bracket, Lower Door Switch	1
*	9545-008-024	Screw	2
10	9278-037-003	Impeller, w/set screws	1
*	9345-824-002	Schematic Wiring	1
*	9345-825-002	Diagram Wiring	1



Lint Hood, & Blower Impeller Group Style No. 2 (in use since 1998)

Key	Part Number	Description	Qty
1	9822-031-002	Lint Screen Ass'y 21"x34"	1
2	9278-038-003	Impeller	1
3	9834-009-001	Hood assembly Lint	1
*	9345-824-008	Schematic Wiring	1
*	9345-825-009	Diagram Wiring	1



Blower Impeller and Airflow Switch Group Overtemperature Switch Style No. 2 (in use after 1998)

Key	Part Number	Description	Qty
1	9074-283-001	Cover Plate	1
2	9029-046-001	Actuator Stop	1
3	9029-100-001	Bracket -Switch	1
4	9545-008-001	Screw-JOB .x 1/4	4
5	9539 461-009	Switch-Micro	1
6	9545 020-001	Screw 4-40 x %	2
7	8640-401-001	Nut Twin	1
8	9008-007-001	Actuator-Switch	1
9	9451-169-002	Pin Cotter	1
10	9039-575-000	Bracket Conduit	1
11	9825-057-002	Over-temp cover ass'y	1
12	9576-207-006	Thermostat Over-temp Manual Reset (Manually Resettable)	1
13	9545-008-001	Screw 108 x 1/4	2
*	9486-137-001	Retainer; pushon	1
*	9535-050-003	Sleeve-Hi-Limit switch access	1

