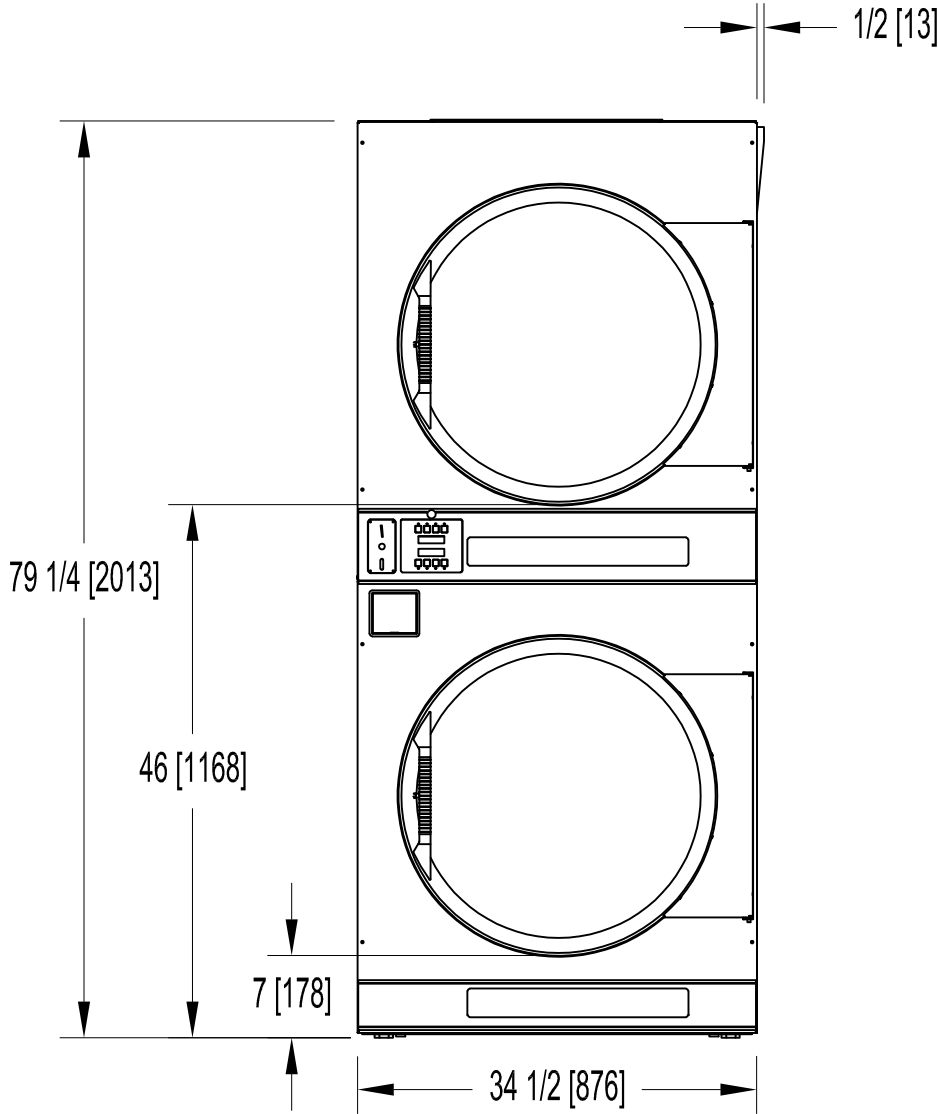
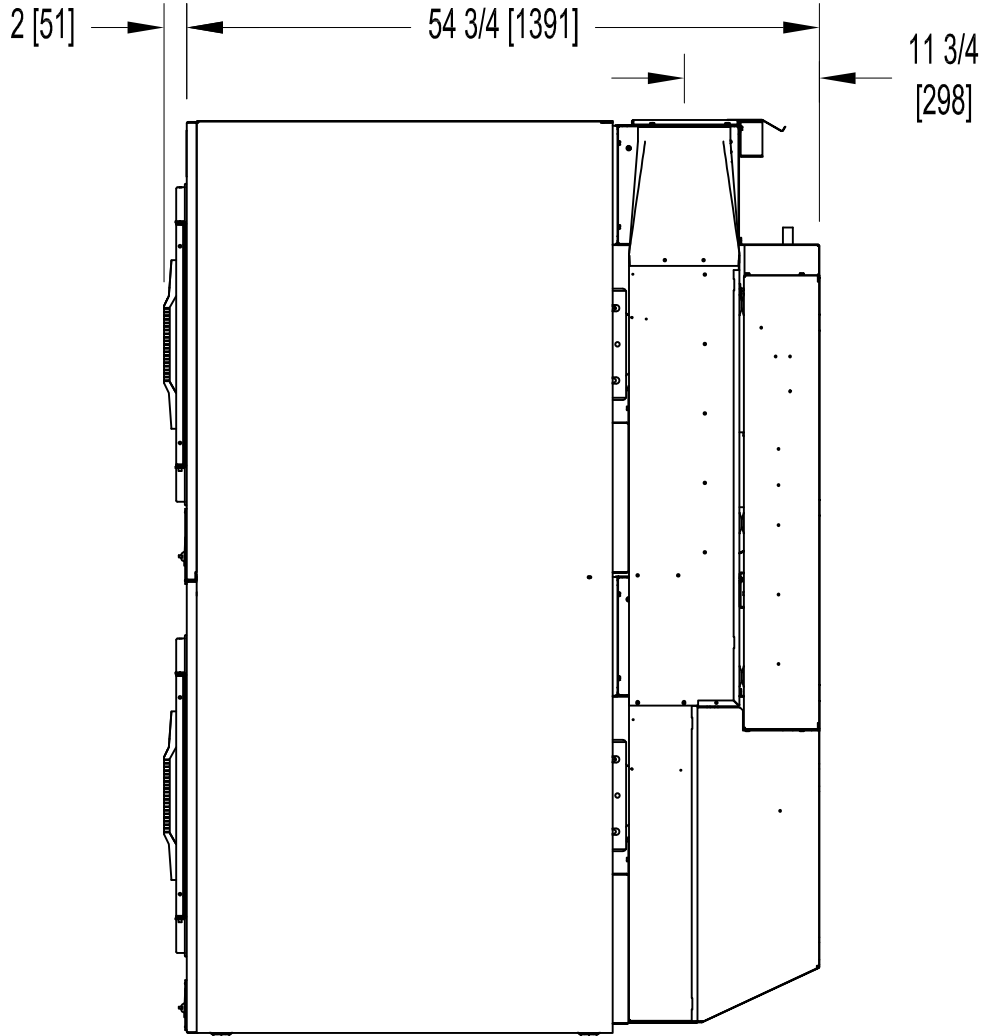


T-50X2 COMMERCIAL DRYER REVERSING AND NON-REVERSING INSTALLATION DIMENSIONS



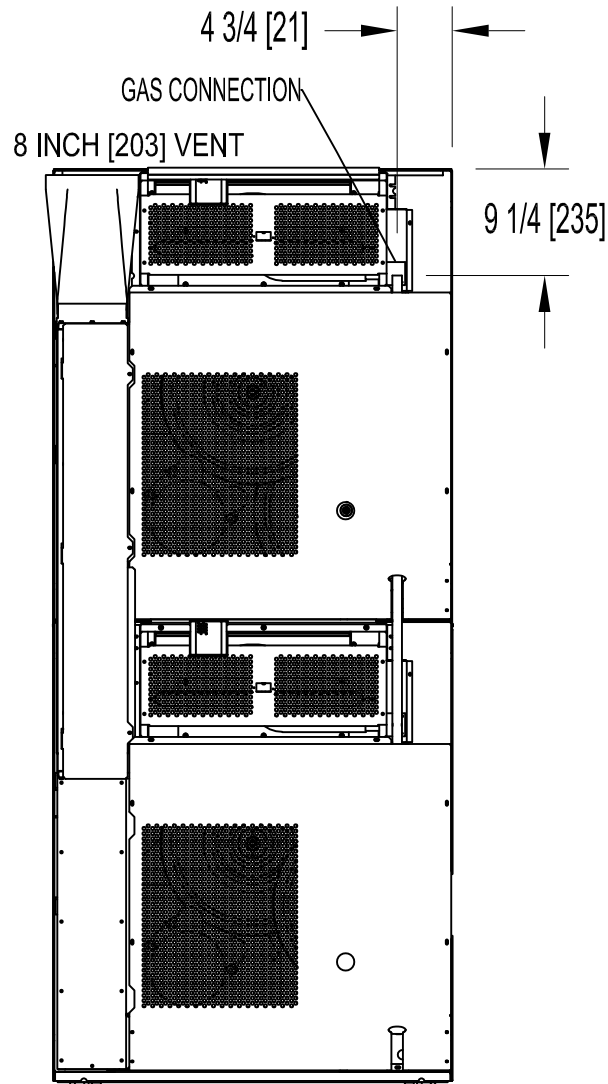
DIMENSIONS ARE IN INCHES [MILLIMETERS]

FRONT



DIMENSIONS ARE IN INCHES [MILLIMETERS]

SIDE



DIMENSIONS ARE IN INCHES [MILLIMETERS]

BACK