

Section 5

PARTS DATA

KITS, ASSEMBLIES, & COMMON PARTS

Part Number	Description	D D H 3 E Q	D D H 3 E D Q
9732-103-009	Dark Blue Type 2 Controller	1	1
9857-116-003	Ignition Control	1	1
9875-002-001	Electrode Ignition Assembly	1	1
9576-203-002	Hi-Limit Thermostat	1	1
8636-018-001	Fuse	1	1
9054-045-001	Fuseholder	1	1
8711-002-001	Transformer	1	1
9822-026-001	Lint Screen Assembly	1	1
9539-432-001	Damper Switch	1	1
9040-077-002	Narrow Belt	1	1
9040-073-004	Wide Belt	1	1
9861-015-001	Tension Arm Assembly	1	1
9568-012-001	Spider	1	1
9244-079-001	Loading Door Handle	1	1
9539-461-001	Door Switch	1	1
9501-003-001	Temp Sensor Assembly	1	1

Section 5

PARTS DATA

CABINET GROUP (Figure 5-1)

Key	Part Number	Description	D	D
A1	9454-569-005	Panel, Front - White	1	1
A1	9454-569-006	Panel, Front - B Or.	1	1
A1	9454-569-007	Panel, Front - H.G.	1	1
A1	9454-569-008	Panel, Front - ALM.	1	1
A1	9454-569-009	Panel, Front - SAND	1	1
A2	9454-008-010	Screw, #10 -Black	6	6
*	8640-399-001	Nut, Spring (Front Panel to Side)	4	4
A2	8641-436-000	Washer, Fiber (Under Screw HD.)	6	6
*	9545-008-006	Screw, #10 (Lower Front Flange)	3	3
*	9086-015-001	Catch - Loading Door (Plastic)	1	1
A3	9960-256-011	Door Ass'y., Loading - Brown (incl. items A3 thru A6)	1	1
A3	9960-255-003	Door Ass'y., Loading - Brown	1	1
A4	9212-002-004	Glass, Loading Door	1	1
A5	9206-413-001	Gasket, Door Glass	1	1
*	9548-117-000	Support, Door Glass	1	1
A6	9206-394-002	Gasket, Outer Door	1	1
A7	9244-079-001	Handle, Door	1	1
*	9545-019-002	Screws, Handle MTG.	2	2
*	9531-033-001	Stud, Door Catch	1	1
*	8640-413-001	Nut, Door Catch Stud	1	1
A8	9982-280-002	Plate Ass'y., Hinge - White	1	1
A8	9982-280-003	Plate Ass'y., Hinge - B. Or.	1	1
A8	9982-280-004	Plate Ass'y., Hinge - H.G.	1	1
A8	9982-280-005	Plate Ass'y., Hinge - ALM.	1	1
A8	9982-280-006	Plate Ass'y., Hinge - Sand	1	1
*	9545-012-015	Screw, #10 - Hinge Plate to Door	4	4
*	8640-413-002	Nut, #10 - Hinge Plate to Door	4	4
A9	9544-047-002	Strap, Hinge - White	1	1
A9	9544-047-003	Strap, Hinge B. Or.	1	1
A9	9544-047-004	Strap, Hinge H.G.	1	1
A9	9544-047-005	Strap, Hinge AL.	1	1
A9	9544-047-006	Strap, Hinge Sand	1	1
*	9545-008-009	Screw, #10 Hinge strap to Front Panel	4	4
A10	9545-052-001	Screw, Special - Loading Door to Hinge	1	1
A11	9960-243-013	Door Ass'y., Lower Service - White	1	1
A11	9960-243-014	Door Ass'y., Lower Service - B. Or.	1	1
A11	9960-243-015	Door Ass'y., Lower Service - H.G.	1	1
A11	9960-243-016	Door Ass'y., Lower Service - ALM.	1	1
A11	9960-243-017	Door Ass'y., Lower Service - Sand	1	1
A12	9578-074-003	Trim, Lower Door Top	1	1
*	9545-008-010	Screw, #10 - Trim MTG.	4	4
A13	8650-006-003	Lock - Serv. Door	1	1
A14	9578-076-002	Trim - Kick	1	1
A15	9545-008-010	Screw, #10 - Trim MTG.	3	3
*	8520-223-003	Nut, Spring - Trim MTG.	3	3
A16	8650-016-002	Lock, Upper Door	1	1
A16	6292-006-006	Key (For 8650-016-002)	1	1
A17	9108-091-002	Door - Upper Service - White	1	1
A17	9108-091-003	Door - Upper Service - B. Or.	1	1
A17	9108-091-004	Door - Upper Service - H.G.	1	1
A17	9108-091-005	Door - Upper Service - ALM.	1	1
A17	9108-091-006	Door - Upper Service - Sand	1	1
A18	9412-069-001	Nameplate - "Dexter"	1	1
*	8520-141-000	Nut - Spring	2	2
A19	8502-606-001	Label, Instruction (Service Door Front)	1	1
A20	8638-211-001	Rivet, Drive - Upper Door MTG.	2	2
A20	8641-581-005	Washer (Under Rivet HD.)	2	2
*	9548-268-001	Support, Upper Door	1	1
A21	8544-005-000	Leg, Leveling	4	4

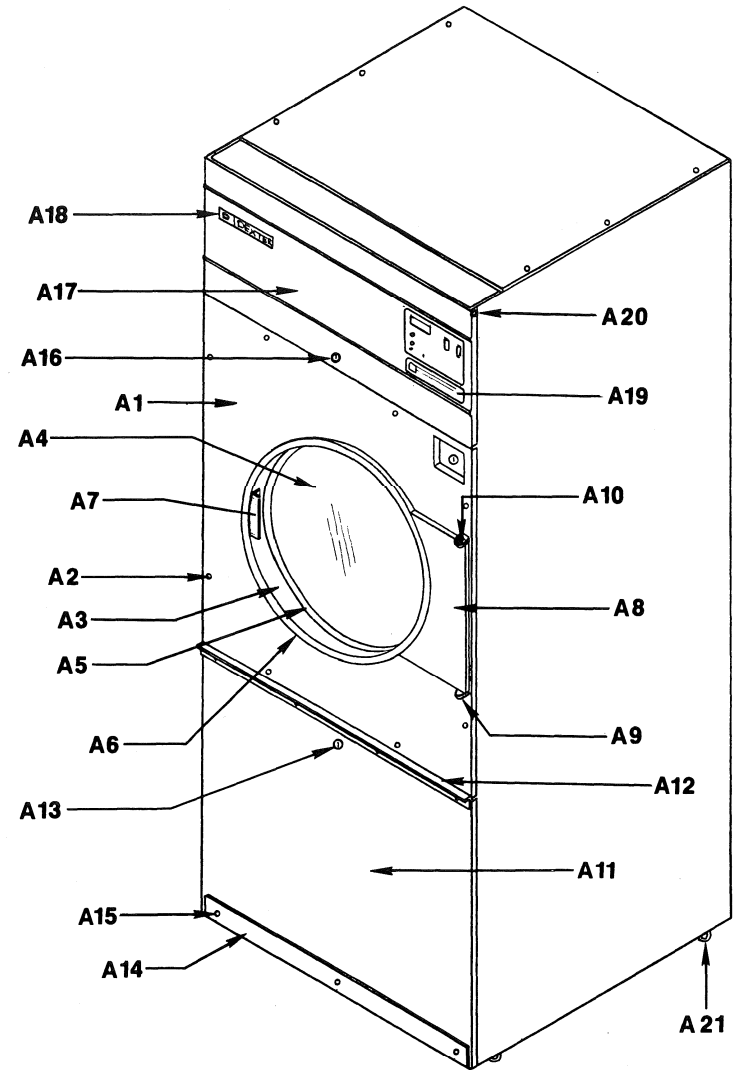
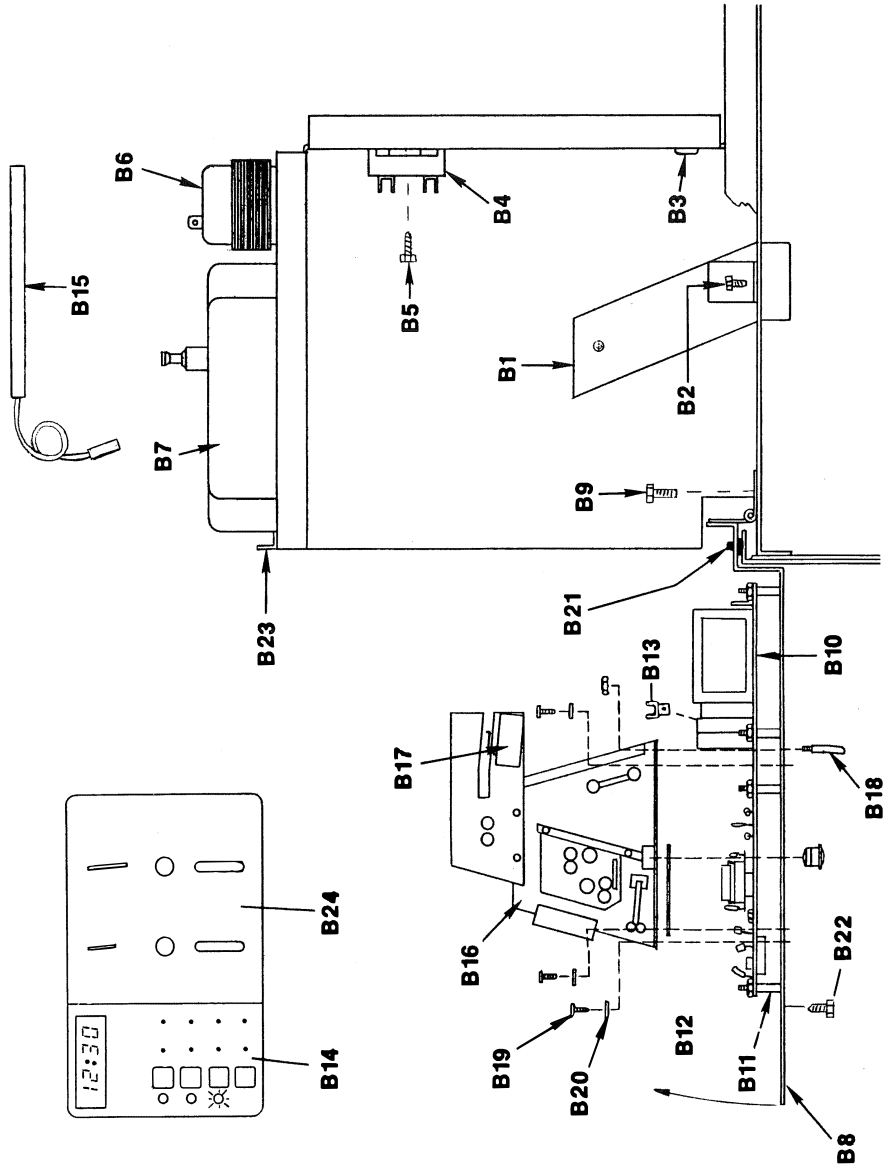


Fig. 5-1



CONTROL HOUSING GROUP (Fig. 5-2)

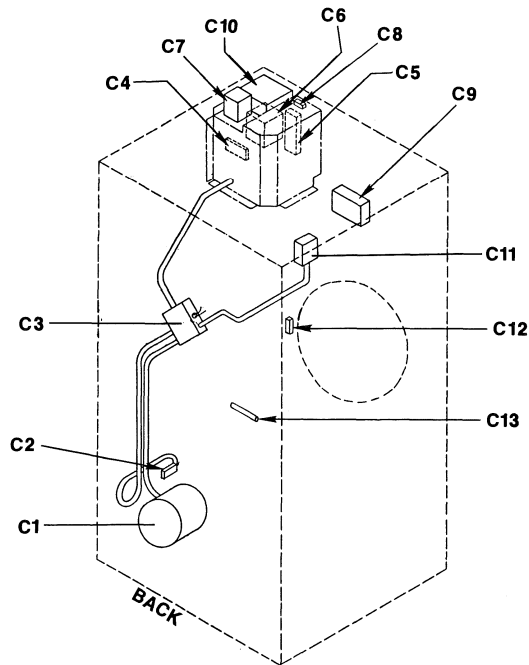
CONTROL HOUSING GROUP (Figure 5-2)

Key	Part Number	Description	D	DH	H	3	E	O	D	DH	H	3	E	O
B1	9940-013-001	Chute Ass'y., Coin	1						1					
B2	9545-008-006	Screw #10	1						2					
B3	9209-037-002	Grommet, Temp. Cable	1						1					
B4	9897-026-001	Block, Terminal	1						1					
B5	9545-031-004	Screw #6	2						2					
*	9053-067-001	Brushing - Wire (Door Switch Wires)	1						1					
B6	8711-002-001	Transformer												
B6	8640-397-001	Nut												
B7	9857-116-001	Control Ass'y., Ignition												
B8	9982-281-002	Plate Ass'y., - Electronic Control	1											1
B9	9545-008-006	Screw	2											2
B10	9471-002-001	Electronic Control (Printed Circuit Ass'y.)	1											1
B11	9538-157-001	Spacers - Circuit Board	6											6
B12	8640-411-001	Nuts - Circuitboard	6											6
B12	8641-582-005	Lockwasher #6	1											1
B13	8653-074-001	Terminal, Chair - on Relay												
*	9627-651-001	Harness, Wiring (Electronic Control)	1											1
*	9627-652-001	Harness, Wiring (Dual Coin)												1
B14	9801-058-001	Switch Ass'y. - Membrane	1											1
B15	9501-003-001	Sensor Ass'y. - Temperature	1											1
*	9083-112-001	Clip - Temperature Sensor	1											1
*	9209-037-001	Grommet - Temperature Sensor	1											1
B16	9021-002-003	Acceptor - Coin 25¢, Complete	1											1
B16	9021-002-004	Acceptor - Coin 10¢, Complete (Includes the following parts)	1											1
B17	9539-466-001	Switch, Coin	1											2
B18	9063-004-001	Bail, Coin Return	1											2
B19	9545-025-021	Screw M3 - Acceptor MTG	2											4
B20	8641-573-012	Lockwasher M3 - Acceptor MTG	2											4
B21	9051-021-001	Bumper	2											2
B22	0646 046 002	Sorow, Top MTG	1											1
B23	9039-981-001	Bracket, Control Plate MTG	1											1
B24	8502-608-002	Label - Control Plate (25¢ only)	1											1
B24	8502-608-001	Label - Control Plate (10¢/25¢)												1

ELECTRICAL COMPONENTS (Figure 5-3)

Key	Part Number	Description	D D H 3 E Q	D D H 3 E Q
C1	9376-259-006	Motor, Drive 115V. - 60 Hz.	1	1
C2	9539-432-001	Switch, Damper (See Fig. 5-5)	1	1
C3	8658-012-000	Box - Elec. Junction	1	1
*	8643-005-000	Cover, Junction Box	1	1
*	9545-008-006	Screw, Box Mtg.	2	2
C4	9897-026-001	Block, Terminal	1	1
*	9545-031-004	Screw, Block Mtg.	2	2
C5	9471-002-001	Electronic Control (See Fig. 5-2)	1	1
C6		Coin Acceptor (See Fig. 5-2)	1	1
C7	8711-002-001	Transformer (24V.)	1	1
C8		Fuse & Fuse Holder (See Fig. 5-11)	1	1
C9	9857-115-001	Gas Control Assy., (NAT.) (See Fig. 5-11)	1	1
C9	9857-115-002	Gas Control Assy., (L.P.) (See Fig. 5-11)	1	1
C10	9857-116-001	Control, Ignition (See Fig. 5-11)	1	1
C11	9576-203-002	Thermostat, Hi-Limit (See Fig. 5-11)	1	1
C12	9539-461-001	Switch, Door (See Fig. 5-4)	1	1
C13	9501-003-001	Sensor Ass'y — Temperature	1	1

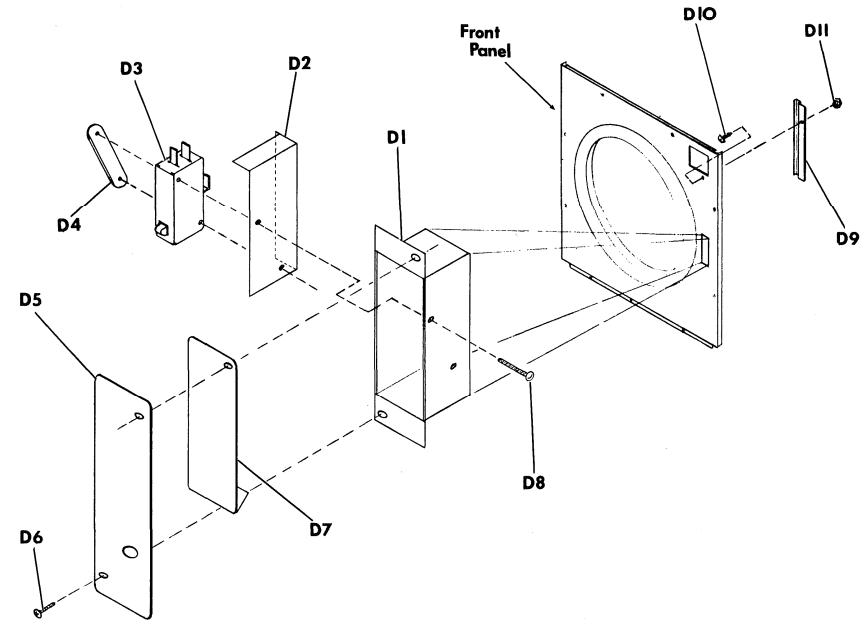
* NOT ILLUSTRATED



ELECTRICAL COMPONENTS Fig. 5-3

DOOR SWITCH GROUP (Figure 5-4)

Key	Part Number	Description	D D H 3 E Q	D D H 3 E Q
D1	9041-076-001	Box, Door Switch	1	1
D2	9550-159-001	Shield, Switch Insulator	1	1
D3	9539-461-001	Switch, Door	1	1
D4	8640-401-001	Nut, Twin	1	1
D5	9074-255-001	Cover, Switch Box	1	1
D6	9545-008-001	Screw, (Switch Assy., to Front Panel)	2	2
D7	9008-004-001	Actuator, Switch	1	1
D8	9545-020-001	Screw, Switch to Box	2	2
D9	6068-041-001	Conduit, Special	1	1
D10	9545-012-016	Screw, Conduit to Front Panel	1	1
D11	8640-355-001	Nut, Elastic Stop	1	1



**DOOR SWITCH GROUP
Fig. 5-4**

DAMPER & DAMPER SWITCH ASSEMBLY (Figure 5-5)

Key	Part Number	Description	D D H 3 E Q	D D H 3 E D Q
E1	9539-432-001	Switch, Damper	1	1
E2	9545-044-002	Screw, Damper Sw. Mtg. and Adj.	3	3
E3	8640-411-001	Nut, Damper Sw. Locking	2	2
E4	8640-420-001	Nut, Damper Sw. Mtg. (Tandem Speed Nut)	1	1
E5	9125-001-001	Damper	1	1
E6	9451-146-001	Pin, Damper Hinge	1	1
*	9074-242-001	Cover, Damper Sw.	1	1

LINT HOOD & SCREEN ASSEMBLY (Figure 5-6)

F1	9822-027-002	Hood Assy., Lint	1	1
*	9822-026-001	Screen Assy., Lint	1	1
F2	8640-300-011	Nut, Lint Hood Mtg.	6	6

TUMBLER ASSEMBLY GROUP (Figure 5-7)

G1	9848-101-001	Tumbler Assy.	1	1
G2	9568-009-002	Spider and Shaft Assy.	1	1
G3	9497-019-001	Rod, Tumbler	3	3
G4	8640-415-001	Nut, Tumbler Rod	3	3
G5	9552-013-000	Shim, Tumbler	(As Required)	
G6	8641-582-003	Lockwasher	3	3
G7	8641-554-1	Washer, Flat	3	3

* NOT ILLUSTRATED

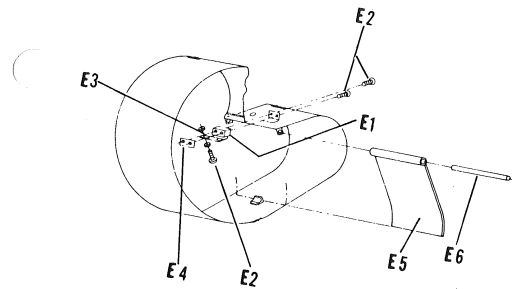


Fig. 5-5. Damper and Damper Switch Group

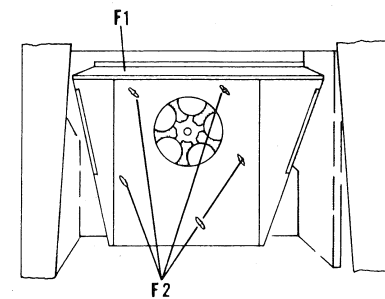


Fig. 5-6. Lint Hood and Screen Group

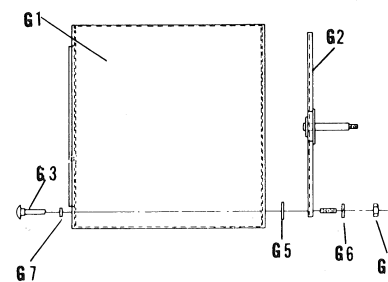


Fig. 5-7. Tumbler Assembly Group

PULLEY, BELT & MOTOR GROUP (Figure 5-8)

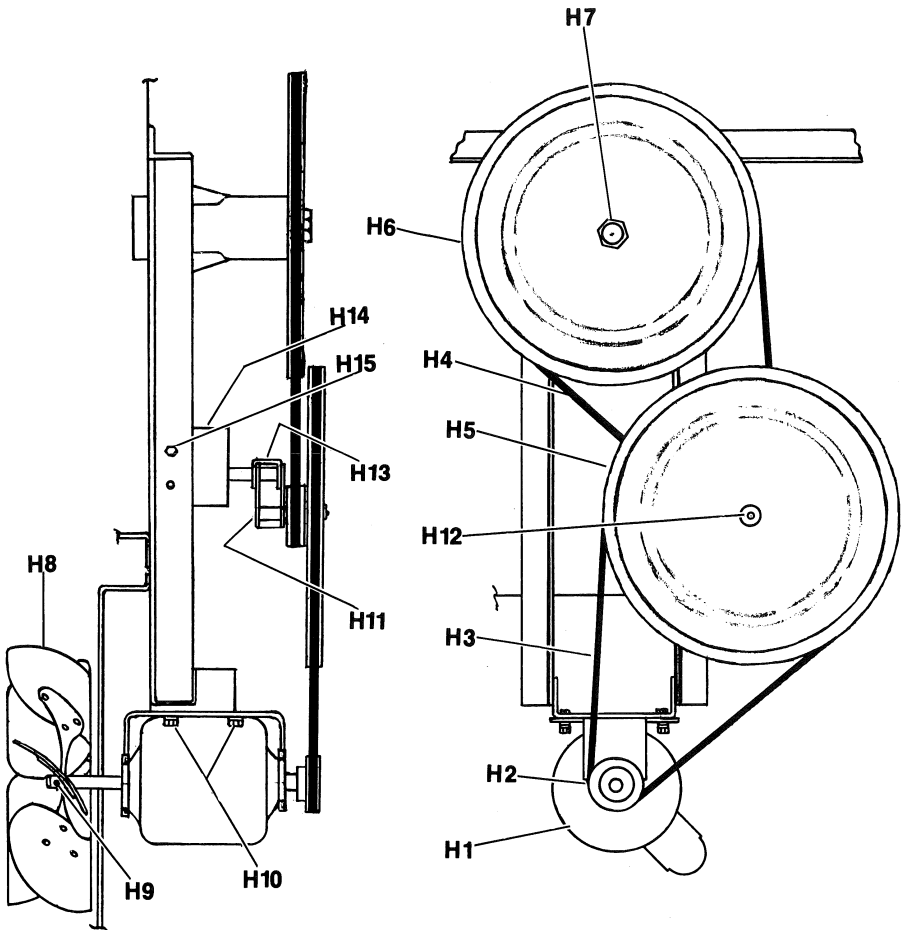


Fig. 5-8. Pulley, Belt and Motor Group

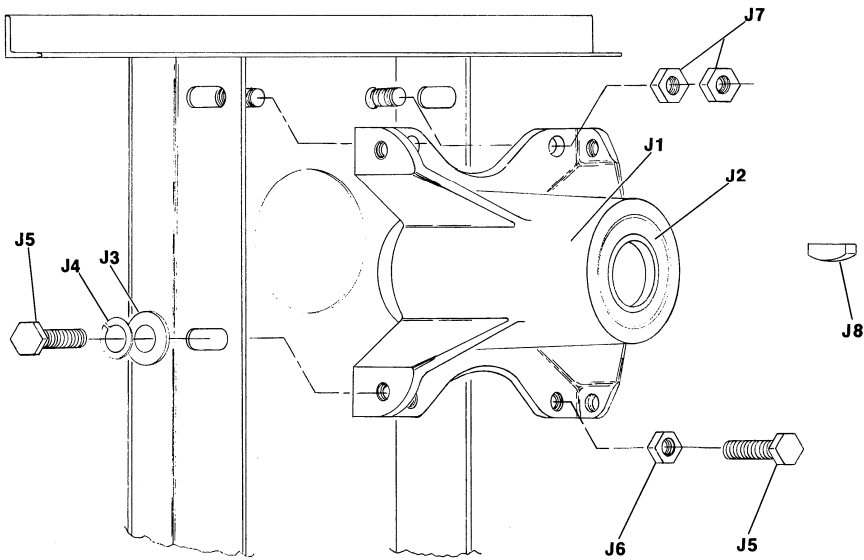
Key	Part Number	Description	D	D
H1	9376-259-006	Motor - 115V, 60 Hz	1	1
H2	9453-157-001	Pulley - 60 Hz	1	1
H3	9040-073-003	Belt (narrow)	1	1
H4	9040-073-004	Belt (wide)	1	1
H5	9908-039-001	Pulley Assy., Intermed.	1	1
*	9036-145-002	Bearing (included in item H5)	2	2
H6	9908-040-001	Pulley Assy., Tumbler	1	1
H7	8640-222-000	Nut, Tumbler Shaft	1	1
H8	9278-037-001	Impeller, Blower	4	4
H10	9545-014-004	Bolt, Motor Mtg. (5/16-18x5/8)	4	4
H10	8640-400-003	Nut, Hex	1	1
H11	9861-015-001	Arm, Tension (Short)	1	1
H12	9182-015-001	Fitting, Grease (included in item H11)	1	1
H13	9861-016-001	Arm, Tension	4	4
*	9487-200-003	Ring, Retaining	1	1
*	9451-141-001	Pin, Pivot	1	1
H14	9985-151-001	Bracket Assy., - Pivot	3	3
H15	9545-014-005	Bolt, Pivot Brkt.	3	3
H15	8640-400-002	Nut, Pivot Brkt.	1	1
*	9074-180-001	Cover, Impeller	4	4
*	9545-008-001	Screw, Impeller Cover	1	1
*	9452-253-000	Inspection Plate	2	2
*	9545-008-006	Screw, Insp. Plate		

* NOT ILLUSTRATED

BEARING HOUSING ASSEMBLY (Figure 5-9)

Key	Part Number	Description	D D H 3 E Q	D D H 3 E D Q
J1	9803-160-002	Housing Assy., - Bearing Complete	1	1
J2	9036-130-001	Bearing, Ball	2	2
*	9538-139-001	Spacer, Brg.	1	1
J3	8641-581-009	Washer	4	4
J4	8641-582-003	Lockwasher	4	4
J5	9545-049-001	Bolt - (3/8-24x1)	6	6
J6	8640-415-002	Nut - (3/8-24)	2	2
J7	8640-400-002	Nut - (5/16-18)	4	4
J8	9308-006-000	Key, Tumbler shaft	1	1
*	8640-222-000	Nut, Tumbler	1	1

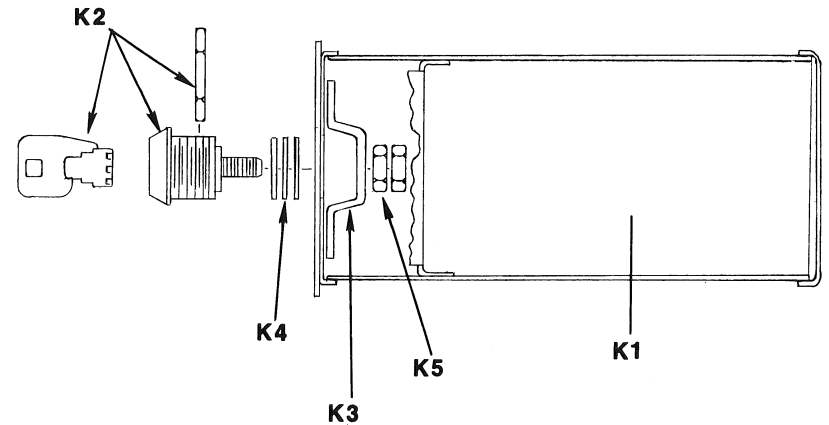
* NOT ILLUSTRATED



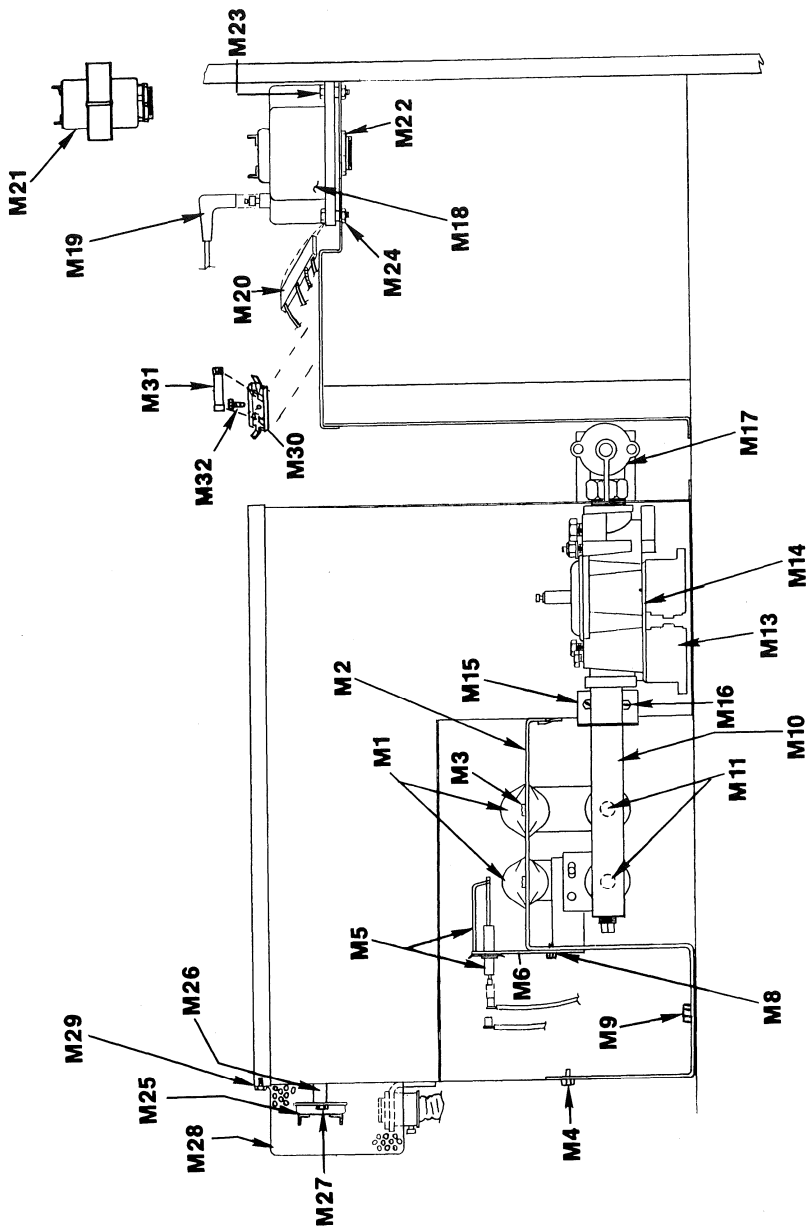
BEARING HOUSING GROUP Fig. 5-9

COIN BOX GROUP (Figure 5-10)

Key	Part Number	Description	D D H 3 E Q	D D H 3 E D Q
K1	9807-077-002	Box Ass'y., Coin - White	1	1
K1	9807-077-003	Box Ass'y., Coin - B. Or.	1	1
K1	9807-077-004	Box Ass'y., Coin - H.G.	1	1
K1	9807-077-005	Box Ass'y., Coin - ALM.	1	1
K1	9807-077-006	Box Ass'y., Coin - Sand	1	1
K2	8650-012-002	Lock, Coin Box (Includes Key & Nut)	1	1
K3	9349-033-001	Latch - Coin Box	1	1
K4	8641-581-010	Washer, Coin Box Latch Spacer	A.R.	A.R.
K5	8640-400-002	Nut Hex, 5/16 - 18 (Latch MTG.)	2	2



**COIN BOX GROUP
Fig. 5-10**



BURNER HOUSING ASSEMBLY & GAS CONTROL (Fig. 5-11)

BURNER HOUSING ASSEMBLY & GAS CONTROL (Figure 5-11)

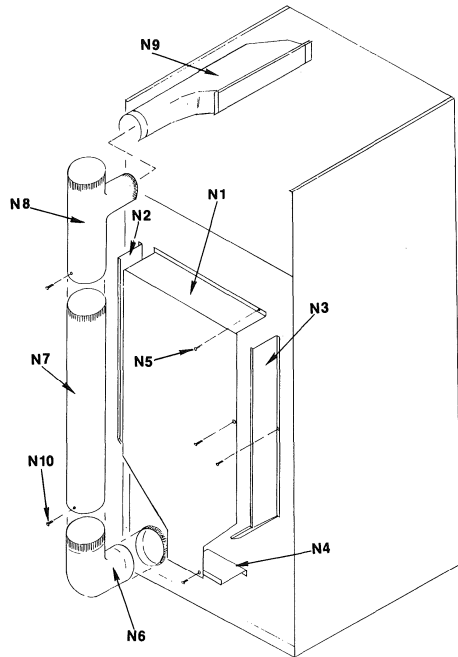
Key	Part Number	Description	D	H	E	Q
M1	9048-018-001	Burner, Main	2	2		
M2	9548-256-001	Support Brkt. - Burner	1	1		
M3	9545-008-008	Screw, Burner to Support	2	2		
M4	9545-008-008	Screw, Support Brkt. to Hsg.	1	1		
M5	9875-002-001	Electrode Assy., - Ignition	1	1		
M6	9985-161-001	Bracket Ass'y. - Electrode Mtg.	1	1		
*	9545-045-001	Screw, Electrode to Brkt.	2	2		
M8	9545-008-008	Screw, Brkt. to Support	1	1		
M9	9545-008-006	Screw, Support Brkt. to Deck	1	1		
M10	9381-009-002	Manifold, Main Burner	1	1		
M11	9425-069-002	Orifice Nat. - #30	2	2		
M11	9425-069-003	Orifice L.P. - #48	2	2		
M12	9857-115-001	Control Assy., Gas Valve	1	1		
M13	9089-037-001	Coil, Operator	2	2		
M14	9486-127-001	Retainer, Coil	2	2		
M15	9039-915-001	Bracket, Control Mtg.	1	1		
M16	9545-008-003	Screw, Brkt.	2	2		
M17	9379-164-001	Valve, Gas Shut-Off	1	1		
M18	9857-116-001	Control, Ignition - Electronic	1	1		
M19	9631-397-002	Wire, Hi-Voltage	1	1		
M20	9627-650-001	Wire Harness, Ign. Cont.	1	1		
M21	8711-002-001	Transformer, 24V. Sec.	1	1		
M22	8640-397-001	Nut, Conduit - Transformer	1	1		
M23	9545-044-002	Screw, Ign. Cont. Mtg.	2	2		
M24	8640-163-000	Nut, Ign. Cont. Mtg.	4	4		
M25	9576-203-002	Thermostat, Hi-Limit	1	1		
M26	9538-142-001	Spacer, Mtg.	2	2		
M27	9545-045-007	Screw, Mtg.	2	2		
M28	9074-234-001	Cover, Hi-Limit	1	1		
M29	9545-008-006	Screw, Cover Mtg.	1	1		
M30	9054-045-001	Holder, Fuse	1	1		
M31	8636-018-001	Fuse	1	1		
M32	9545-031-005	Screw, Holder Mtg.	1	1		
*	9732-045-001	Conversion Kit (from Nat. to L.P. Gas)	1	1		

* NOT ILLUSTRATED

BACK GUARD & HEAT RECIRCULATING SYSTEM (Figure 5-12)

Key	Part Number	Description	D D H 3 E Q	D D H 3 E Q
N1	9208-039-001	Guard, Drive	1	1
N2	9454-595-002	Panel, Side Guard L.H.	1	1
N3	9454-596-002	Panel, Side Guard R.H.	1	1
N4	9550-141-001	Shield, Motor	1	1
N5	9545-008-006	Screw, Guard Panels	21	21
N6	9142-039-001	Elbow, Exhaust - 8"	1	1
N7	9109-101-001	Pipe - 8"	1	1
N8	9810-018-001	Tee Assy, Recirculating	1	1
*	9125-002-001	Damper, Backdraft	1	1
*	9451-146-002	Pin, Damper	1	1
*	8520-141-000	Nut, Spring	2	2
N9	9043-022-001	Boot, Recirculating	1	1
N10	9545-008-006	Screw, Rec. Mtg.	8	8
*	9074-236-001	Cover, Cabinet Top	1	1
*	9545-008-006	Screw, Cabinet Cover	8	8

* NOT ILLUSTRATED



**BACK GUARDS & HEAT RECIRCULATING SYSTEM
Fig. 5-12**

WIRING GROUP

Part Number	Description	Qty.
8640-276-003	Wire Nut	5
8653-074-001	Wire, Terminal, Control Relay	1
8220-001-198	Wire, Junct. Box to Term. Block - WH.	1
8220-001-199	Wire, Junct. Box to Motor - WH.	1
8220-001-200	Wire, Junct. Box to Motor - R.	1
8220-001-205	Wire, Junct. Box — Customer Connection - WH.	1
8220-001-206	Wire, Junct. Box to Hi-Limit - BR.	1
8220-001-208	Wire, Junct. Box to Damper Sw. - GY.	1
8220-001-219	Wire, Junct. Box to Term. Blk. - BK.	1
8220-001-220	Wire, Junct. Box to Run Relay - R.	1
8220-001-221	Wire, Term. Block to Door Switch - BK.	1
8220-001-222	Wire, Term. Block to Door Switch - BU.	1
8220-001-224	Wire, Junct. Box to Hi-Limit - Or. - BK.	1
8220-001-225	Wire, Transformer to Fuse - R.	1
8220-034-001	Wire, Junct. Box to Damper Sw. - BR.	1
8220-034-002	Wire, Junct. Box to Term. Block - BU.	1
9631-382-001	Wire, Junct. Box to Motor - BU.	1
9631-382-002	Wire, Junct. Box to Term. Block - Gy.	1

**— WIRES ARE NOT ILLUSTRATED —
REFER TO WIRING DIAGRAM**

