



***DEXTER***<sup>®</sup>  
***LAUNDRY***

**USE THE BLUE TABS LOCATED ON THE  
RIGHT AND LEFT SIDES OF THE FOLLOWING  
DOCUMENT TO ADVANCE TO EACH SECTION.**

## Kits, Assemblies, & Common Parts

Description	T 20x2
LP to Natural Conversion Kit for White Rodgers	9732-142-004
Kit - 8650-012-004 Lock with spacer	9732-344-002
Kit - 8650-012-003 Lock with spacer	9732-344-001
Kit - A to C series Conversion, Black, 24v	9732-307-004
Kit - A to C series Conversion, Blue, 24v	9732-307-003
Temperature Probe	9501-006-001
Controls Blue	9857-198-002
Controls Black	9857-198-004
Coin Drop	9021-092-002
Optical Sensor	9801-099-001
Coin Drop Screws	9545-053-002 x4
Ignition Control Box	9857-182-001
Electrode Assembly, Ignition	9875-002-003
Thermostat, Hi-Limit	9576-203-002
Thermostat, Overtemp	9576-207-006
Fuse holder assembly	9200-001-002
Fuse-1.5a,fast,1/4x1-1/4	8636-018-001
Fuse-2.5a,fast,1/4x1-1/4	8636-018-004
Motor Run Relay	5192-299-002
Transformer, Ignition	8711-013-001
Lint Screen Assembly ONLY (no front)	9805-036-002
Air Flow Switch	9536-461-009
Door Switch	9539-487-001
Motor Belt	9040-076-012
Tumbler Belt	9040-073-013
Tension Arm Complete	9861-022-001
Spider/Trunnion	9568-018-001
Door Handle	9244-092-001

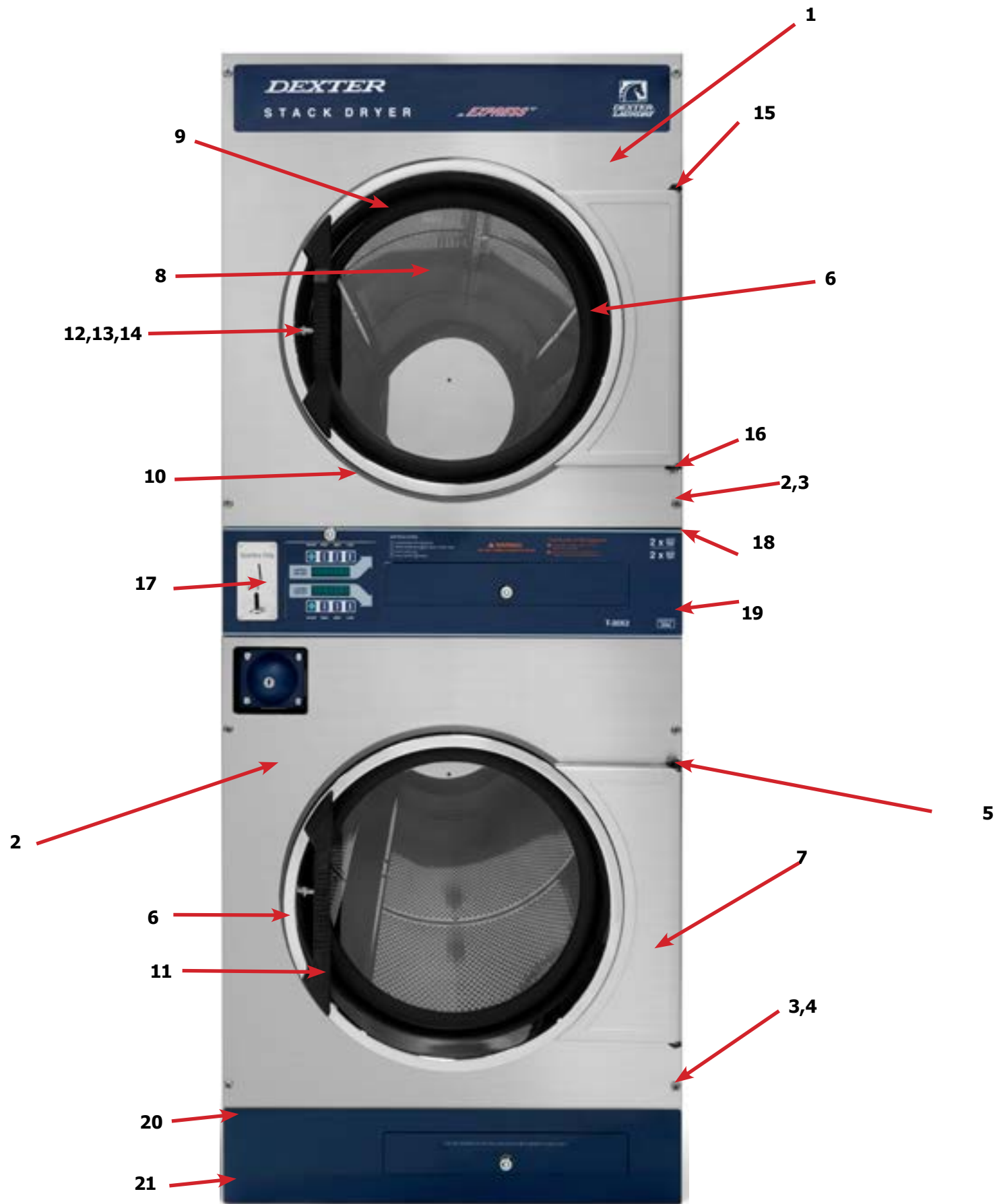


## Section 7:

Parts Data

DC20X2

24VAC Control

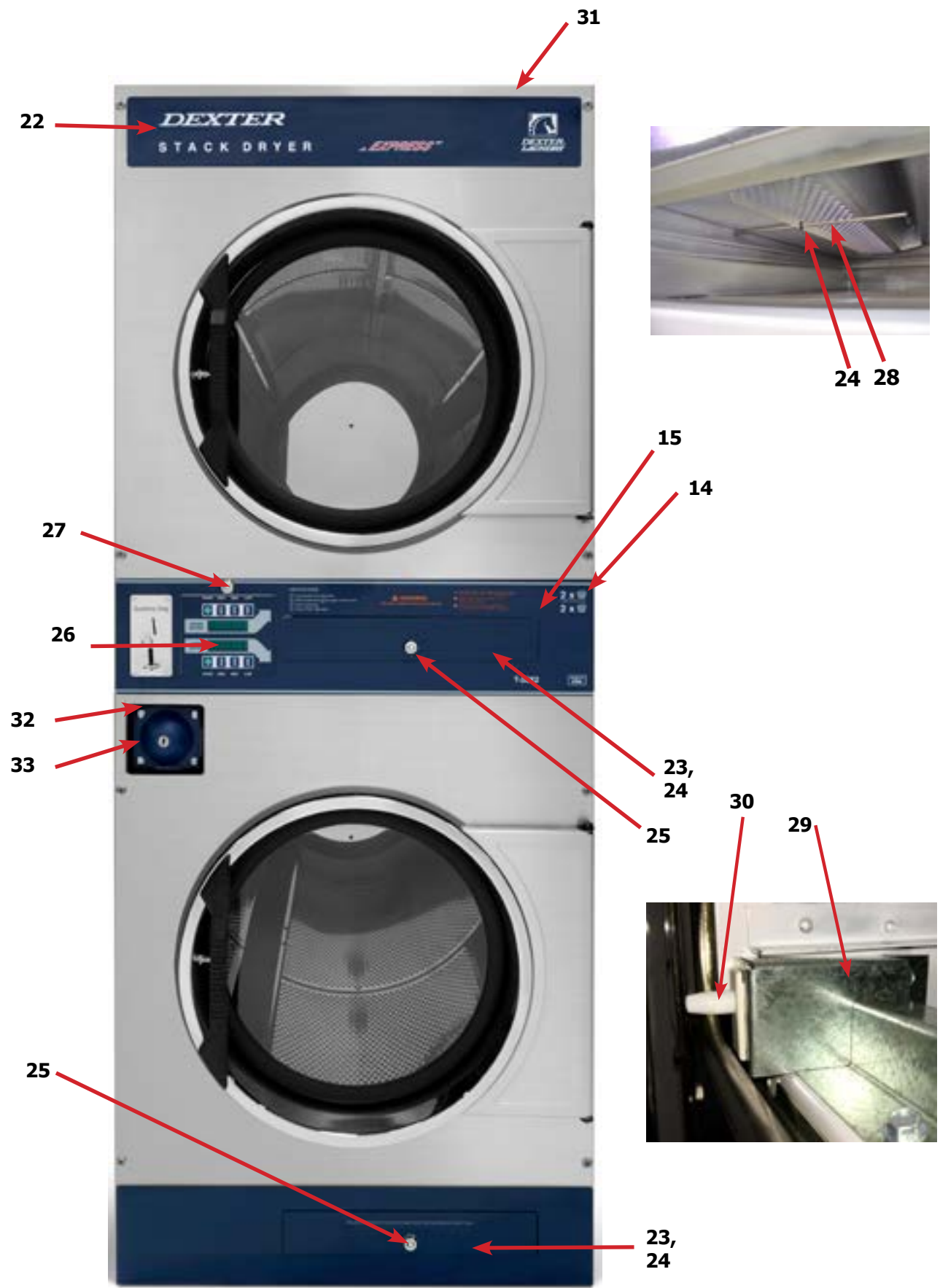


## Dryer Cabinet Group

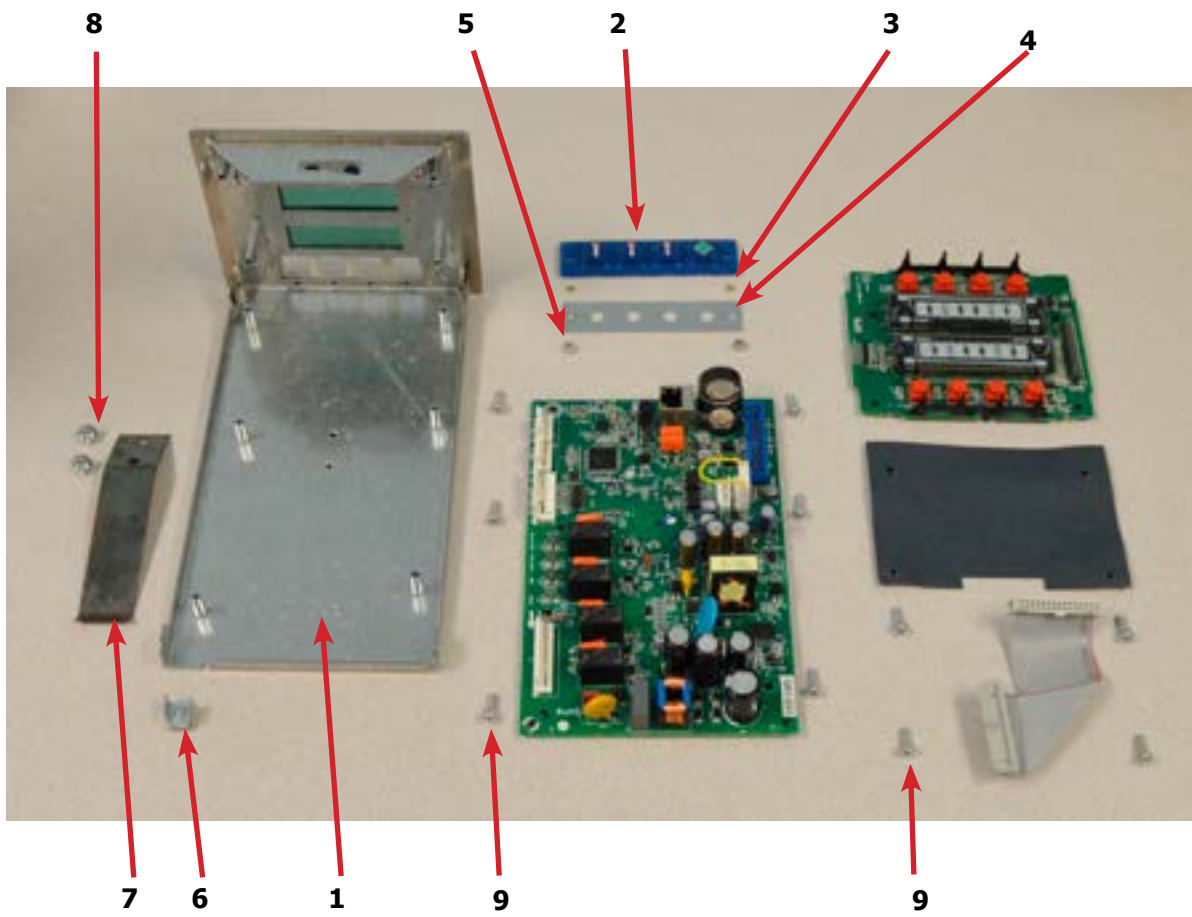
Key	Description	T-20x2	QTY
1	Panel Assy., Front- Upper (SS)	9989-610-001	1
2	Panelassy-front,coin(lower,ss	9989-611-001	1
*	Insulation Front Panel, half moon (top)	9277-064-001	2
*	Insulation Front Panel, half moon (bottom)	9277-064-002	2
3	Screw, FLHDCR, 10B x 1 3/4	9545-008-014	8
4	Washer, Finish, #10	8641-585-001	8
*	Nut, Spring	8640-399-001	8
*	Hinge ,Backup Plate	9982-392-001	2
*	Screw, Countersink, 10-32X 1/2	9545-012-003	4
5	Strap, Hinge (SS/Black)	9544-074-002	2
*	Screw, Hinge to Panel	9545-012-028	8
6	Door Assy., Loading Complete-Chrome/BLK/SS	9960-315-002	2
*	Door Assy., Loading-Chrome (Ring Only)	9960-314-003	2
6	Door Assy., Loading Complete-SS/BLK/SS	9960-315-001	2
*	Door Assy., Loading-SS (Ring Only)	9960-314-001	2
7	Plate Assy., Hinge (SS)	9982-393-001	2
*	Screw, Hinge to Door	9545-012-015	8
*	Nut, Hinge to Door	8640-413-002	8
*	Cover, Hinge Plate	9074-377-002	2
*	Screw, Phillips-10B x 3/8	9545-008-010	4
8	Glass, Door	9212-002-005	2
9	Gasket, Glass Black	9206-413-003	2
*	Support, Door Glass	9548-117-000	4
*	Tool Install Dryer Door Gasket	8545-064-001	1
10	Gasket, Outer Rim Black	9206-420-006	2
11	Handle, Loading Door	9244-092-001	2
*	Screw, Handle 1/4-20 x 3/8	9545-018-017	4
12	Stud, Door Catch, 7/8	9531-033-002	2
13	Nut, Hex	8640-413-001	2
14	Nut, Acorn	8640-413-003	2
*	Catch, Loading Door	9086-015-002	2
*	Pop Rivet for mtg. catch	8638-190-009	4
15	Screw, Door to Hinge Strap (Special Black Type)	9545-052-001	2
16	Washer, Fiber	8641-436-003	2
17	Acceptor, Coin	9021-092-002	1
*	Retainer, Coin Acceptor	9486-149-001	2
*	Screw, 4Bx5/8ss, T10	9545-053-002	4
*	Switch, Optical	9801-099-001	1
18	Escutcheonassy-dry,coin,upr	9994-043-001	1
19	Overlay-esc,t-20x2,up,coin,blu	9435-058-002	1
*	Overlay-esc,t-20x2,up,coin,black	9435-058-001	1
*	Screw, #4-40 x 3/16	9545-020-009	23
20	Escutcheonassy-dry,coin/opl,lwr	9994-045-001	1
21	Overlay-escut,t-20x2,lwr,blue	9435-060-002	1
*	Overlay-escut,t-20x2,lwr,black	9435-060-001	1

## Cabinet Group Continued

Key	Description	T20X2	QTY
22	Nameplate Stack Dryer Express Blue	9412-251-002	1
22	Nameplate Stack Dryer Express Black	9412-251-001	1
23	Lint Drawer Assembly Blue	9866-008-001	1
23	Lint Drawer Assembly Black	9866-008-003	1
*	Drawer, Front	9974-016-002	1
*	Washer, Flat, #10	8641-581-006	2
*	Washer, Curved-Spring	8641-569-004	2
*	Nut, 10-32	8640-413-007	2
24	Overlay Trim, Lint Drwr-Blue	9435-053-002	1
24	Overlay Trim, Lint Drwr-Black	9435-053-001	1
*	Felt Seal (back of lint screen assembly)	9532-074-004	1
*	Lint Screen Assembly ONLY (no front)	9805-036-002	1
*	Replaceable Lint Screen Only	9555-057-011	1
25	Lock and Key, Lint Drawer	8650-012-004	1
*	Key 6101 only	6292-006-010	1
*	Cam, Lock	9095-043-001	1
*	Lint Screen Strap Hold Down Screws 10Bx 1/4	9545-008-001	12
26	Controls Assy, 24VAC, Blue	9857-198-002	1
26	Controls Assy, 24VAC, Black	9857-198-004	1
*	Wireharness-main,dry,t-20x2	9627-953-004	1
27	Lock and Key, Control	8650-012-003	1
*	Cam, Lock	9095-041-001	1
*	Washer-flat,shim	8641-581-010	2
*	Washer-flat	8641-581-041	1
*	Key only 6324	6292-006-007	1
28	Sensor Temp Control	9501-006-001	2
*	Wiringharness-heatsensor	9627-855-003	1
*	Wire Nut Connector Grey	8640-276-002	4
29	Bracket-mtg,lintdrawerswitch	9029-297-001	2
30	Switch-door,lowerservice	9539-487-001	2
	Grommet-wire, 1/2 I.d"	9209-089-001	2
	Plug-plastic,5/8"	9456-041-010	2
	Screw-hxwshrdunct,#10bx1/2	9545-008-026	4
31	Cover, Cabinet (Top)	9074-374-001	1
*	Insulation Cabinet Cover	9277-041-028	1
*	Insulation-side Panel	9277-041-027	2
*	Stack Dryer Trunion Puller	8545-060-002	1
32	Vault, Coin Box	9942-038-005	1
*	Plateasy-coinvaultmounting	9982-338-001	1
*	Screws, Mounting-Coin Vault	9545-008-024	2
33	Coin Box Assy, Large Blue	9807-099-002	1
33	Coin Box Assy, Large Black	9807-099-004	1
*	Cabinet Touch Up Paint (White)	9472-001-013	1
*	Leg, Leveling 1/2"	8544-006-001	4
*	Leveling Leg Wrench	8545-061-002	1
*	Nut, Elastic Stop	8640-413-004	*

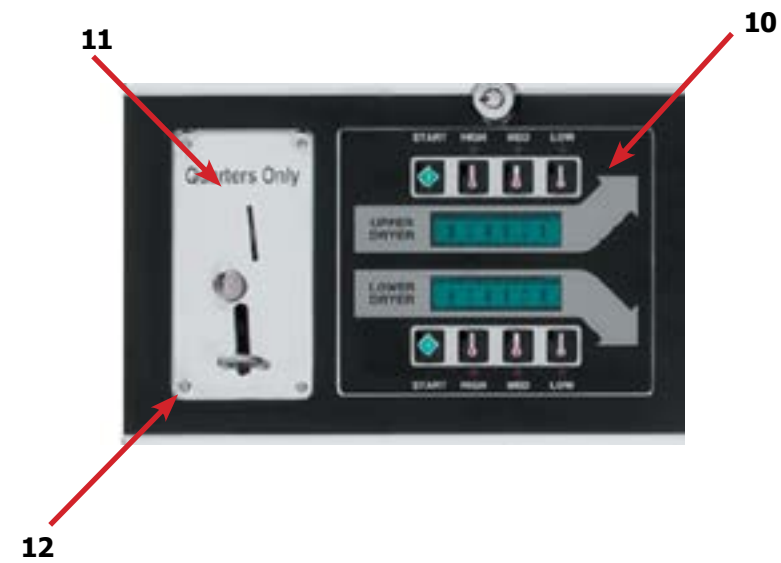






## Control Parts

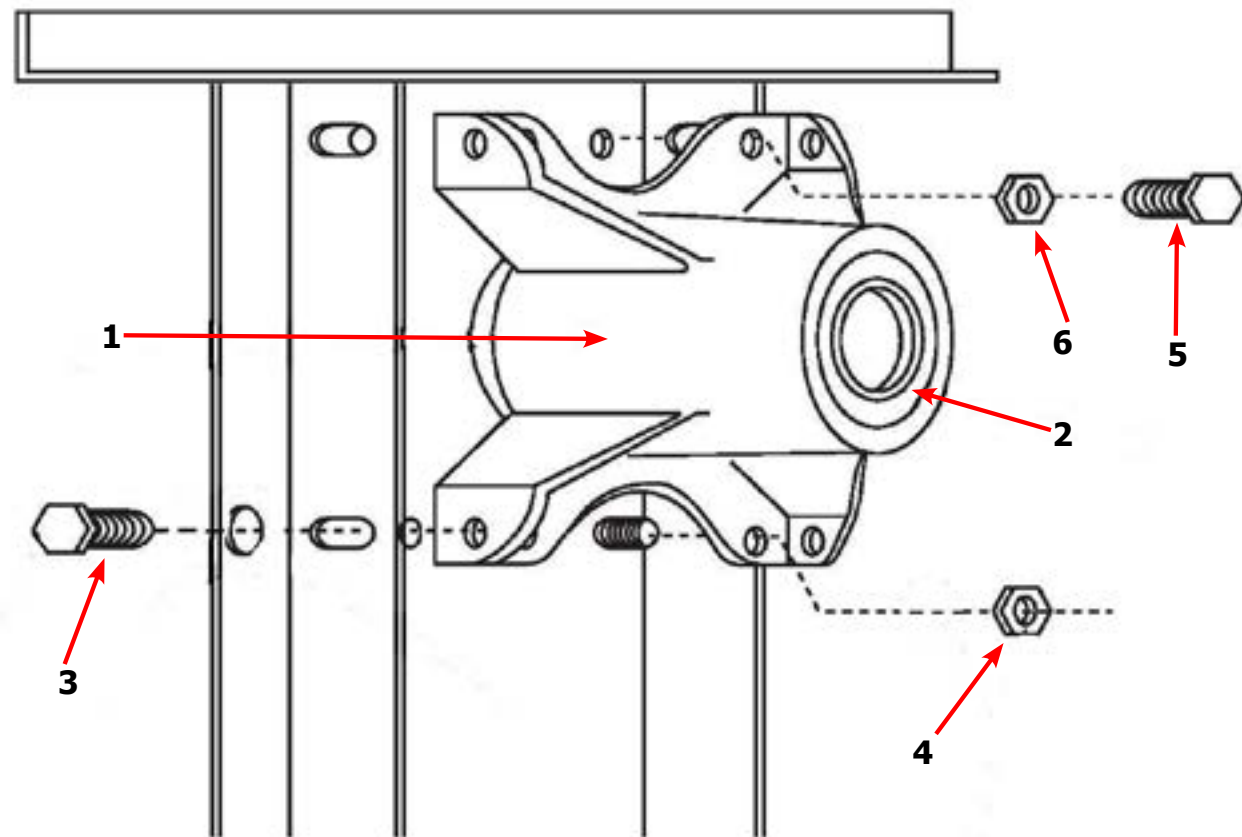
Key	Description	Part Number	Qty
*	Controls Assy, 24V, BLU	9857-198-002	1
*	Controls Assy, 24V, BLk	9857-198-004	1
1	Trough Assembly	9826-008-001	1
2	Button-Push, Control, Black	9035-062-002	2
2	Button-Push, Control, Blue...	9035-062-001	2
3	Spacer-Metal, 4mm	9538-166-011	4
4	Retainer-Push Button	9486-158-001	2
5	Nut-Hex, Elastic stop, #4-40	8640-424-002	4
6	Terminal-Grounding clip	8652-130-038	1
7	Spring-Flat, Control	9534-365-001	1
8	Screw-Hex, #10B x 1/4	9545-008-001	2
9	Screw-panhead 6-32 uncx 1/2	9545-044-010	10
9	Washer-External tooth, #6	8641-582-005	10
10	Overlay-Control, Coin, Black	9435-038-001	1
10	Overlay-Control, Coin, Blue	9435-038-002	1
11	Acceptor-Coin, Optical	9021-092-002	1
*	Retainer, Coin Acceptor	9486-149-001	1
12	Screw	9545-053-002	4
*	Optical Sensor, Replacement	9801-099-001	1
*	Wire Assy, Jumper, 30Lb Stack Coin	8220-155-001	1
*	Wire Assy, Jumper, 50Lb Stack Coin	8220-155-002	1
*	Wire Assy, Jumper, 20Lb Stack Coin	8220-155-009	1





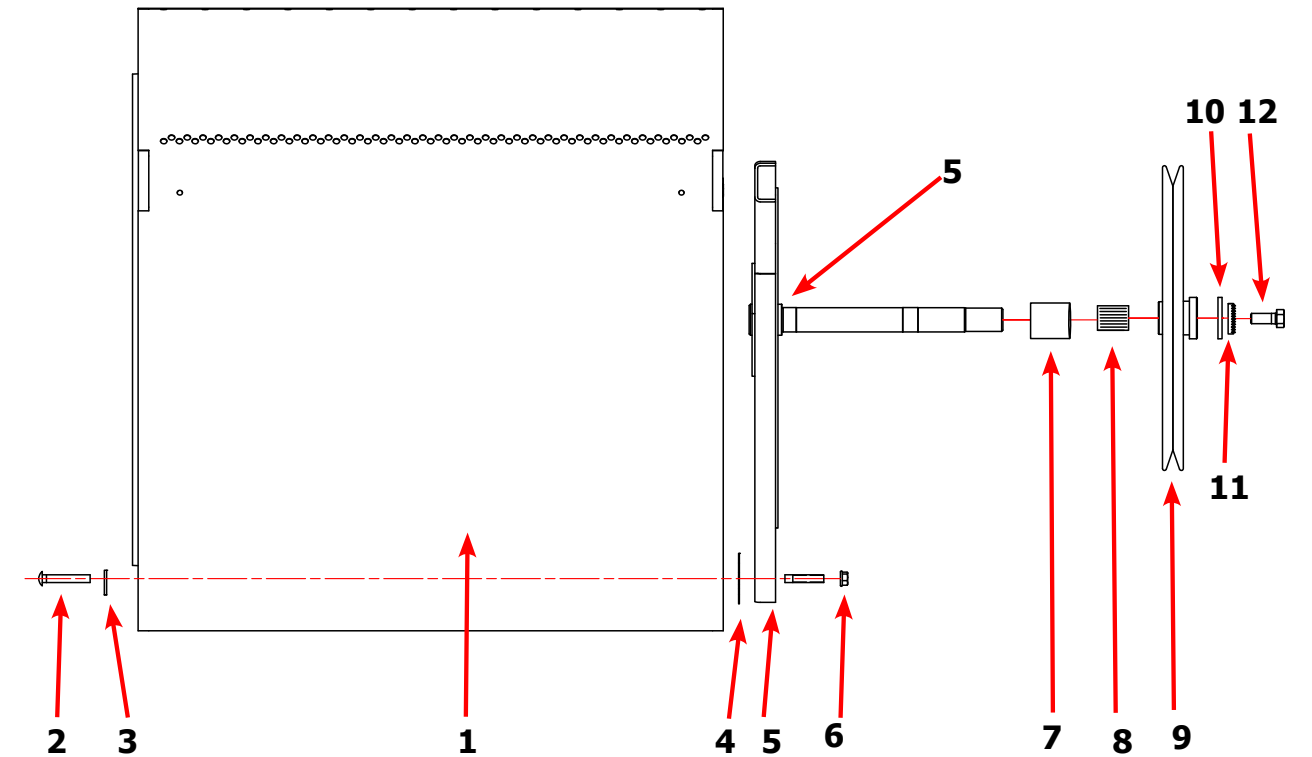
## Bearing Housing Group

Key	Description	T-20x2	QTY
	Bearing Housing Complete Assy (Includes bearings & Spacer)	9803-160-003	2
1	Housing, Bearing	9241-161-002	2
*	Spacer, Bearing	9538-139-002	2
2	Bearing, Ball, Front & Rear	9036-130-001	4
3	Screw-Wizlock, 3/8-24x3/4	9545-049-002	8
4	Nut, 5/16-18	8640-400-002	8
5	Screw, 3/8-24x1	9545-049-001	4
6	Nut, 3/8-24	8640-415-002	4



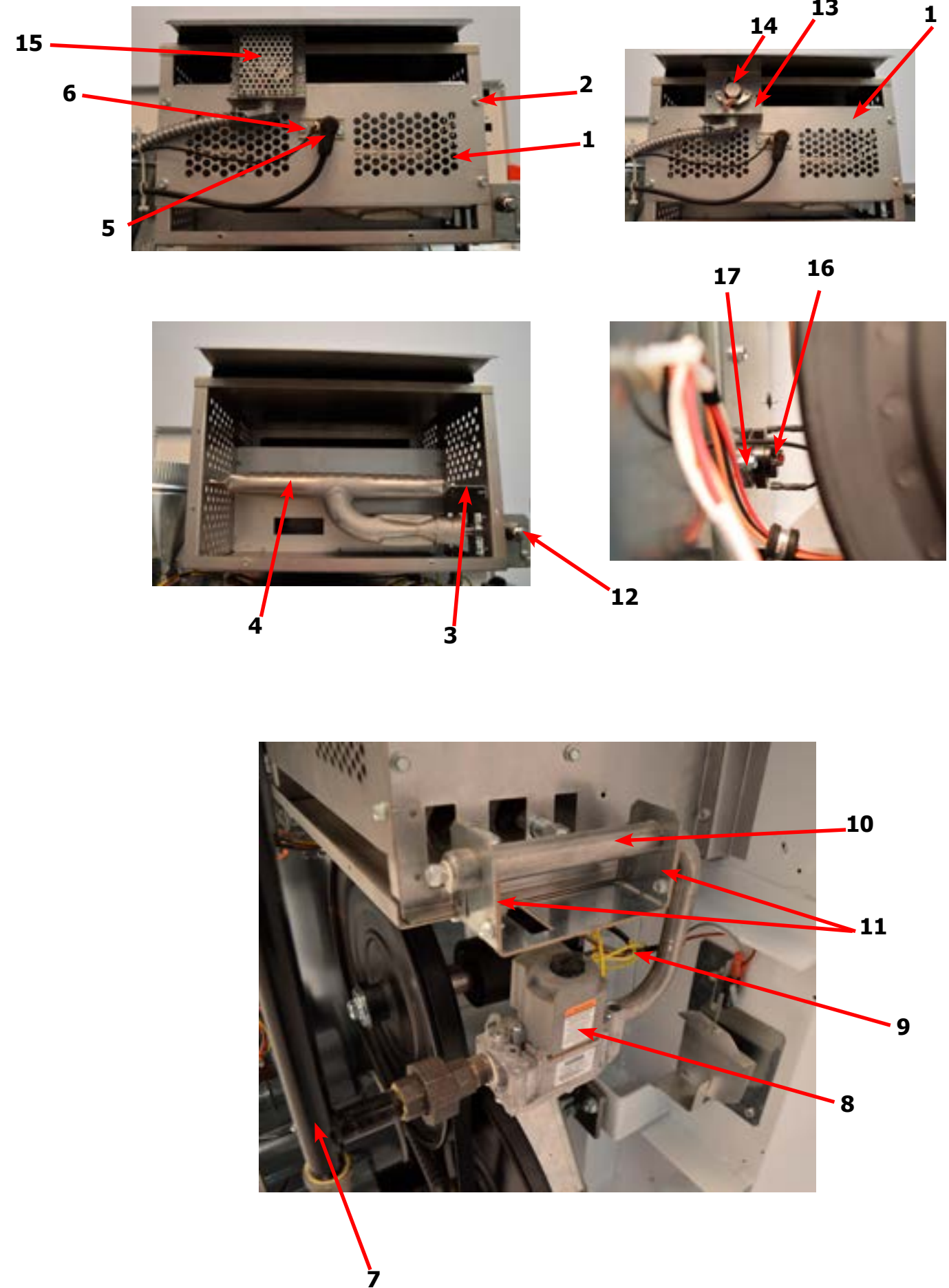
## Tumbler Group

Key	Description	T-20x2	QTY
*	Tumbler Assy Complete W/Spider (GALV)	9848-156-001	2
1	Tumbler Assy (Galvanized)	9848-155-001	2
*	Tumbler Assy Complete W/Spider (SS & Galv front)	9848-156-002	2
1	Tumbler Assy (Stainless Galvanized front)	9848-155-002	2
2	Rod, Tumbler	9497-019-004	6
3	Washer, Special	8641-554-001	6
4	Shim	9552-013-003	AR
5	Spider Assy	9568-018-001	2
6	Nut, Wiz Lock	8640-415-004	6
7	Spacer-Shaft	9538-164-001	2
8	Tolerance Ring	9487-234-005	2
9	Pulley, Driven	9908-052-002	2
10	Washer -Flat 1/2	8641-581-026	2
11	LockWasher - IntTooth, 1/2"	8641-582-016	2
12	Screw, 1/2-13x1 1/4	9545-017-009	2
*	Belt, Drive	9040-073-013	2



## Dryer Burner Housing Group

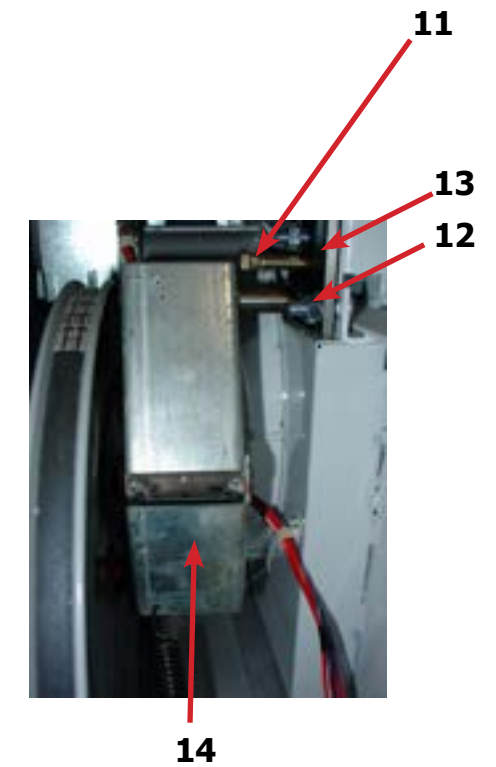
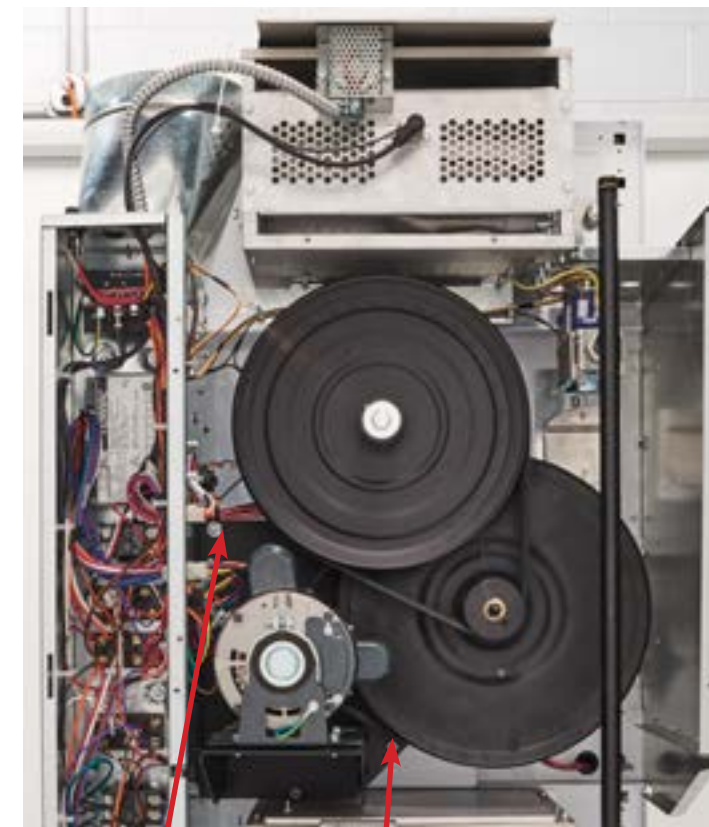
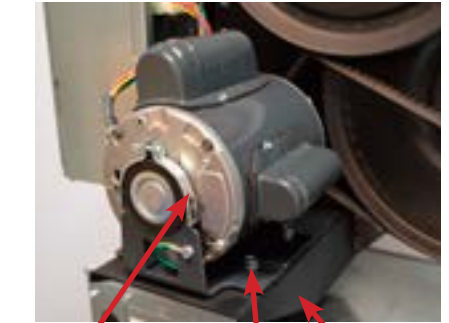
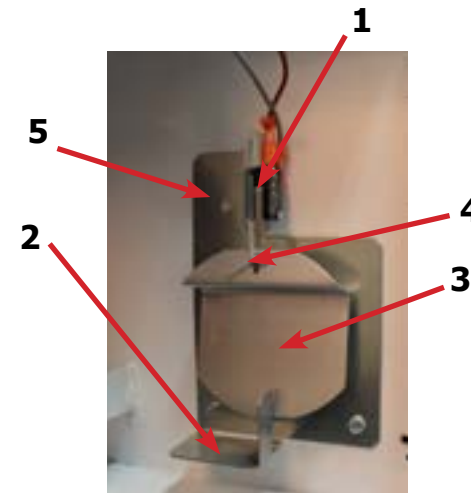
Key	Description	T-20X2	QTY
*	Housing Assembly, Burner (All sheet metal parts not listed) Upper	9803-221-001	1
*	Cover Burner upper	9074-373-001	1
*	HOUSING ASSEMBLY - BURNER, LOWER	9803-221-002	1
1	Panel, Back Burner Housing	9454-949-001	2
2	Screw, 10B X 1/4"	9545-008-001	8
3	Angle, Burner Support	9003-220-001	2
*	Screw, 10B x 3/8"	9545-008-006	4
4	Burner, Main	9048-023-001	4
*	Screw 10AB x 3/8"	9545-008-006	4
5	Electrode-ignition	9875-002-003	2
6	Screw, Electrode Mtg 8B x 1/4"	9545-045-001	4
7	Pipeassembly-gas,t-20x2	9838-018-004	2
7	Gas Pipe Assembly Replacement Kit	9732-360-001	*
7	Gas Pipe Assembly (After Serial)	9838-023-001	2
*	Fitting - 1/2 NPT Union Adapter	8615-120-001	*
8	Control Assy, Gas (Honeywell)	9857-134-001	2
8	Control Assy, Gas (White Rodgers)	9857-192-001	2
9	Wireasy-yel,47/8"	8220-001-466	2
10	Manifold, Assy	9381-012-001	2
*	Orifice, Burner-Natural #40	9425-069-030	4
*	Orifice, Burner-LP #54	9425-069-031	2
11	Bracket, Manifold	9029-305-001	2
12	Pipe Plug in end of Burner Manifold	8615-104-045	2
*	Screw, 10AB x 3/8"	9545-008-006	4
13	Bracket, High Limit Thermostat	9029-192-001	2
14	Thermostat, Hi-Limit	9576-203-002	2
*	Spacer, Hi-Limit	9538-142-001	4
*	Screw 8B x 3/4"	9545-045-007	4
15	Cover, Hi-Limit Stat	9074-329-001	2
*	Screw, 10AB x 3/8"	9545-008-006	4
16	Thermostat, Safety Shutoff	9576-207-006	2
17	Screw, 10AB x 3/8"	9545-008-006	4
*	Control, Ignition Fenwall (3 trybox)	9857-182-001	2
*	Kit, LP Conversion (Honeywell)	9732-102-034	2
*	Kit, LP Conversion (White Rodgers)	9732-102-043	2





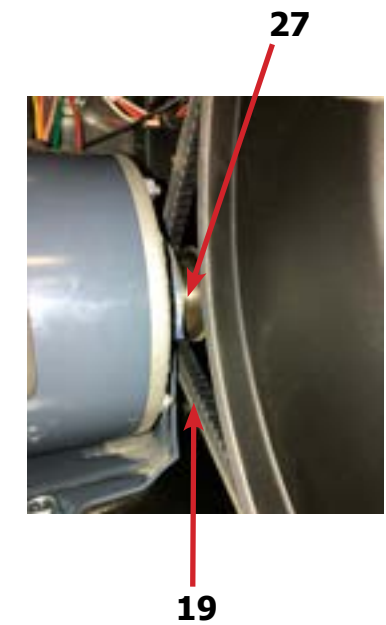
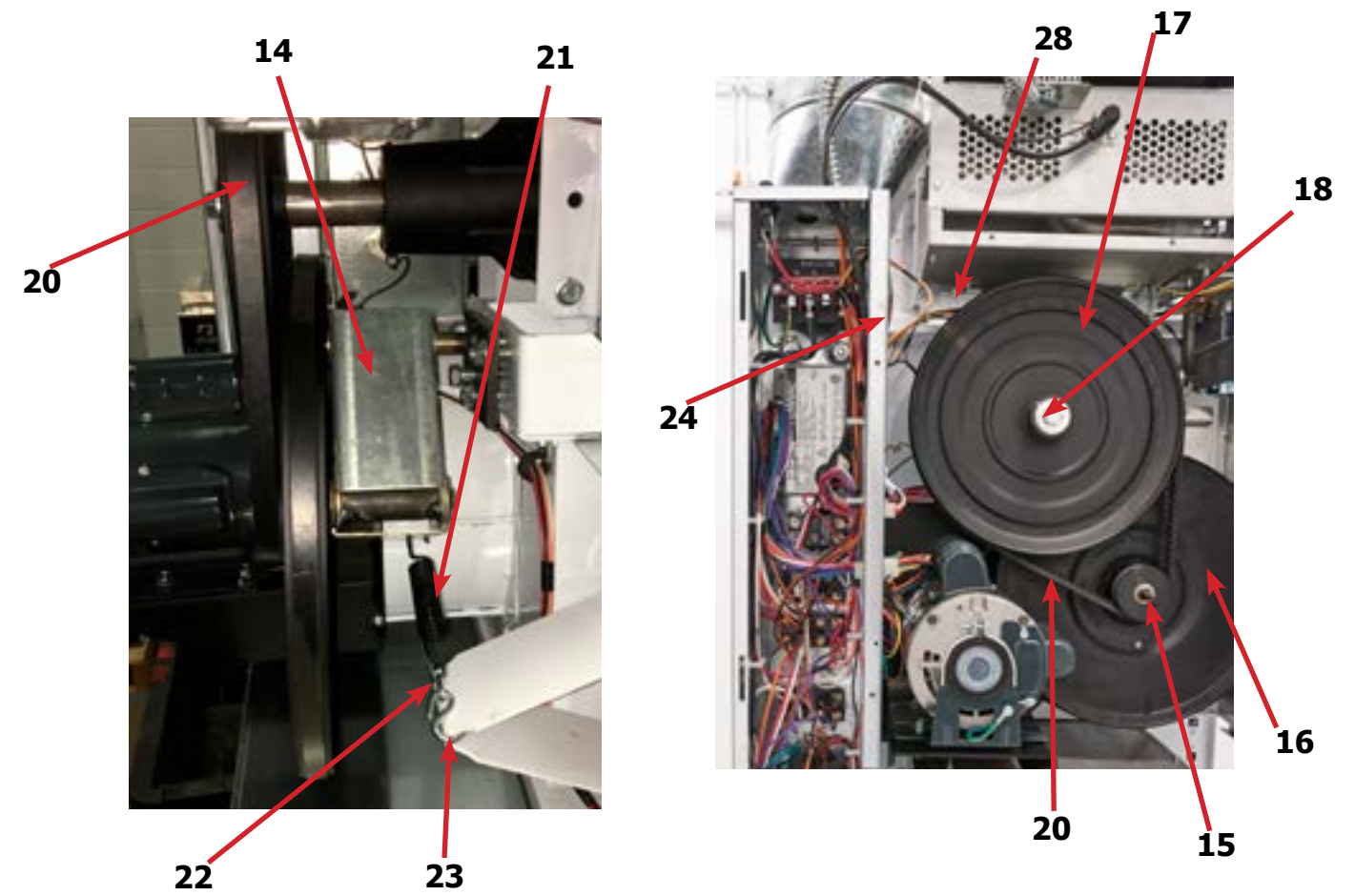
Key	Description	T-20x2	QTY
*	Switch Assy, Air Flow	9801-095-001	2
1	Switch, Air Flow	9539-461-009	2
2	Bracket, Switch- Air Flow	9029-174-001	2
3	Actuator, Switch	9008-007-001	2
4	Pin, Cotter	9451-169-002	2
5	Screw 4-40 x 5/8"	9545-020-001	4
*	Nut, Special Twin .#4-40	8640-401-001	2
*	Shield, Switch	9550-169-003	2
*	Screw 10 Bx 1/4"	9545-008-001	3
6	Motor, Drive	9376-332-001	2
*	Run Capacitor	5191-108-004	2
*	Start Capacitor	5191-109-004	2
*	Pulley-motor,60hz	9453-185-001	2
*	Screw-set,5/16-18x1/2	9545-028-013	2
7	Plate, Motor Mtg	9982-390-002	2
8	Screw, Motor to Plate Screw-hxflgwhzlk,5/16-18x5/8	9545-014-004	8
*	Nut-hextwinwhzlk,5/16-18	8640-400-003	8
9	Nut 1/4x20 Motor Plate to Cabinet	8640-414-007	14
10	Clamp-cable,3/4	8654-125-004	4
*	Screw-hxhdsitdmach,12abx1/2	9545-048-001	4
11	SupportAssy, Intermed. Pulley	9991-053-002	2
12	Bolt, Rd Hd 3/8-16 x 1 1/4	9545-029-010	6
13	Bolt, 3/8-16 x 1 1/2	9545-029-012	2
12	Nut Flange Wziocck 3/8" - 16	8640-415-004	6
*	Washer, Flat	8641-581-035	2
14	Arm Assy-Tension, Complete	9861-022-001	2
*	Washer, Flat	8641-581-035	4

## Rear View Photos



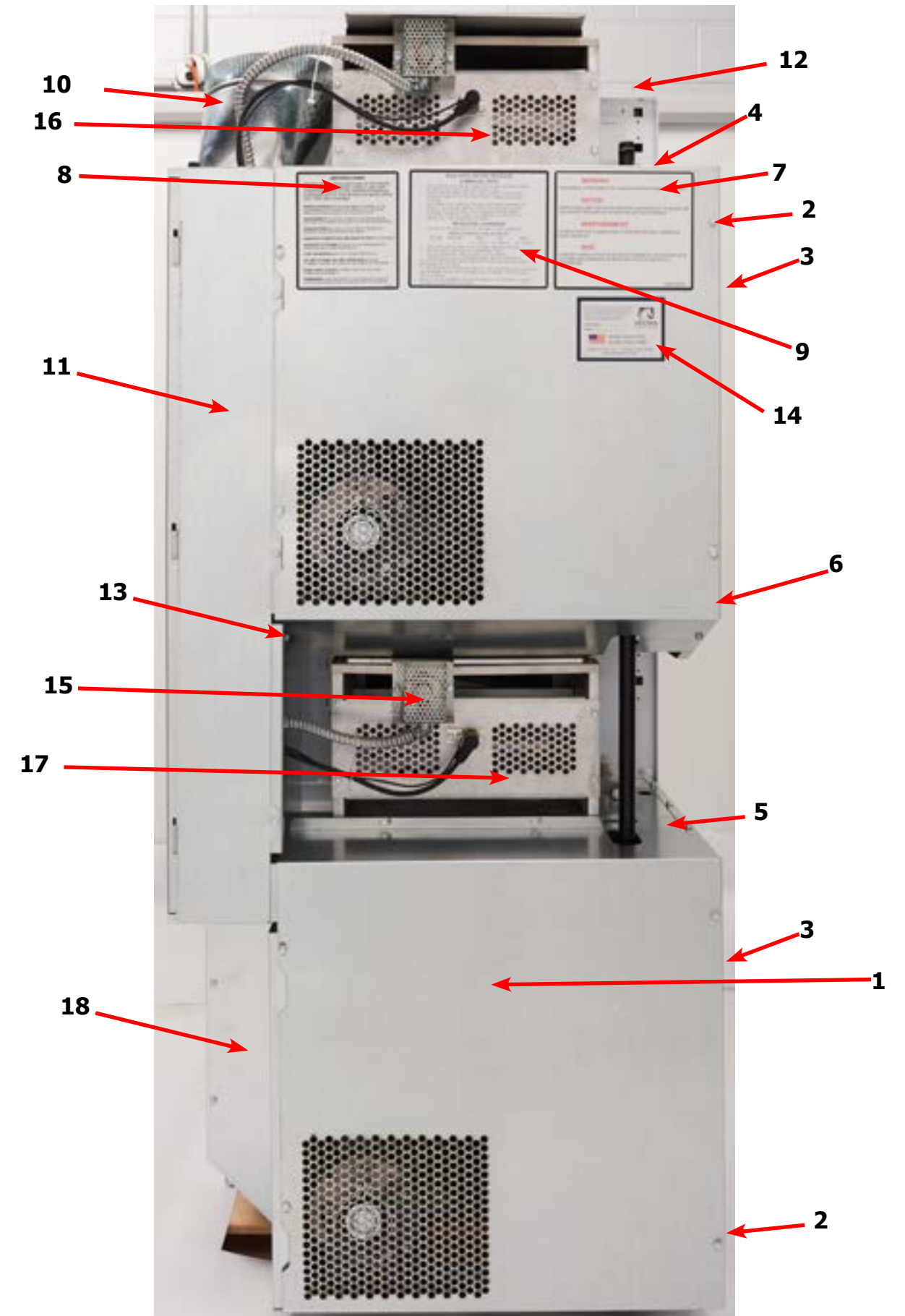
Key	Description	T-20x2	QTY
14	Arm Assy-Tension, Complete	9861-022-001	2
*	Washer, Flat	8641-581-035	6
15	Ring-Retaining	9487-200-003	6
16	Pulley Assy, Intermediate with bronze flange bearing	9908-053-003	2
*	Bearing - Bronze Flange	9036-145-002	2
*	Spacer-Shaft (See Tumbler Group for Expanded View)	9538-164-001	2
*	Tolerance Ring	9487-234-005	2
17	Pulley, Driven	9908-052-002	2
18	Washer -Flat	8641-581-026	2
18	LockWasher - IntTooth, 1/2"	8641-582-016	2
18	Screw, 1/2-13x1 1/4	9545-017-009	2
19	Belt, Drive- Motor	9040-076-012	2
20	Belt, Drive- Tumbler	9040-073-013	2
21	Spring, Tension	9534-319-002	2
22	Chain, Tension	9099-012-011	2
23	Hook, Tension	9248-022-002	2
*	Damper Inside Duct Exhaust	9125-009-001	2
24	Pin, Damper Hinge	9451-146-007	2
*	Box-duct.lower	9041-113-001	1
*	Nut, Spring	8520-141-000	4
*	Screw #10B x 1/2	9545-008-026	4
*	Cover Duct Upper	9074-382-001	1
*	Base Duct	9047-121-001	1
*	Screw 10ABx 3/8"	9545-008-024	40
26	Impeller, W/Set Screws	9278-045-001	2
27	Pulley, Motor	9453-185-001	2
28	Bracket for Wire Harness Under Burner Housing	9029-291-001	2

## Rear View Photos

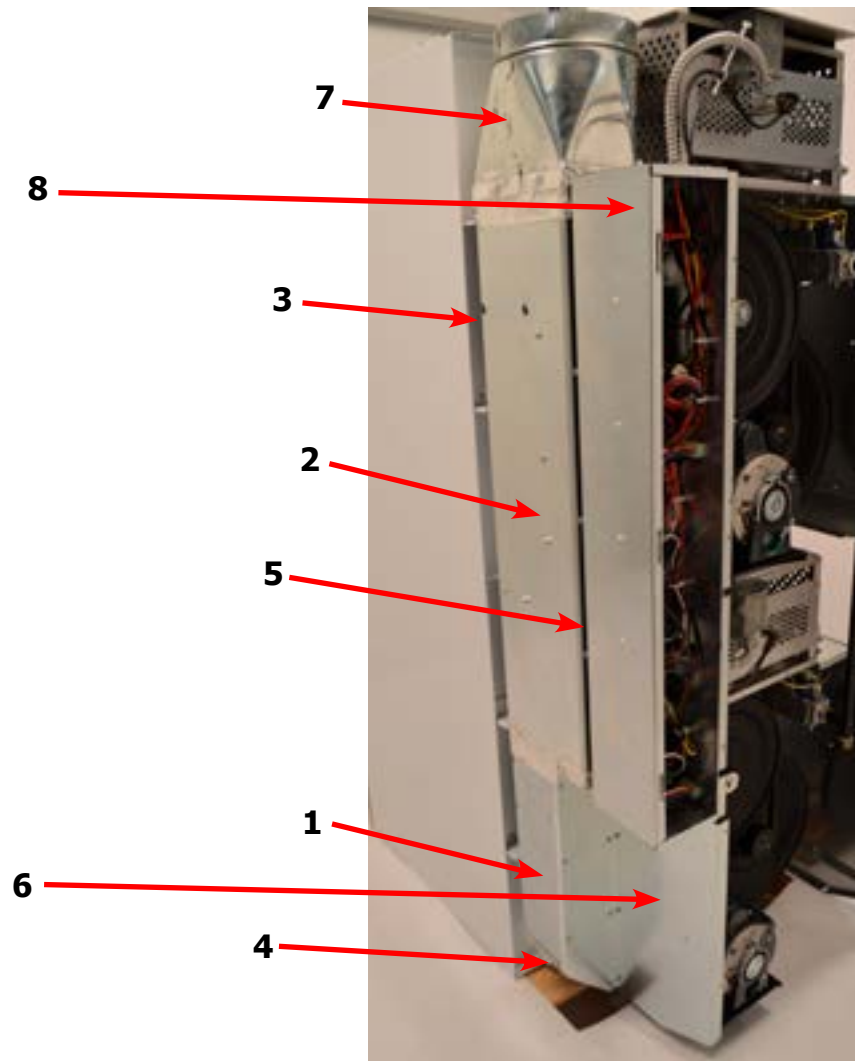


## Dryer Back Panels and Guards

Key	Description	Part Number	Qty
1	Guard, Drive	9208-144-001	2
2	Screw, 10AB x 3/8	9545-008-024	39
3	Panel, Drive Guard,	9208-131-001	3
4	Guard-Small, upper	9208-134-001	1
5	Guard-Small,lower	9208-143-001	1
6	Guard-side,lower	9208-132-001	2
7	Warning, Label	8502-763-001	1
8	Label, Instructions	8502-645-001	1
9	Lighting and Clearance, Label	8527-112-001	1
10	Duct, Transition	9109-131-001	1
11	Door, Cover-Control Box	9108-146-001	1
*	Screw-hxwshrundrcuthd,10abx3/8	9545-008-024	3
12	Cabinet, Cover	9074-374-001	1
*	Insulation	9277-041-028	1
*	Wiring Diagram & Schematic	9506-836-001	1
13	Bracket-back Panel	9029-211-001	1
*	Screw, 10AB x 3/8	9545-008-024	2
14	Label-quality	8511-001-002	1
15	Cover-hi Limit	9074-329-001	2
16	Housingassy-burner,upper	9803-221-001	1
17	Housingassy-burner,lower	9803-221-002	1
18	Cover-duct,lower	9074-383-001	1
*	8" Slide Open Clean Out Duct (Optional)	9973-034-001	1

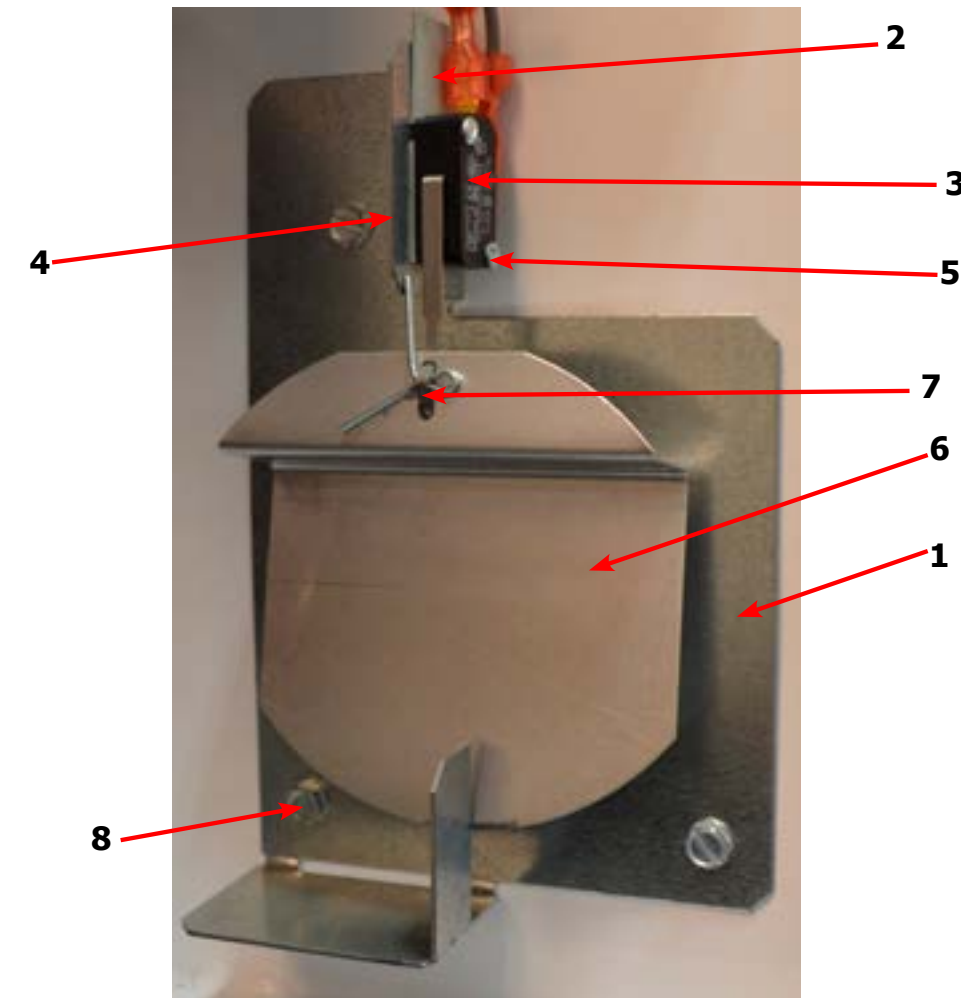






Key	Description	T-20x2	QTY
1	Box-duct.lower	9041-113-001	1
2	Box-duct,upper	9041-115-001	1
*	Screw-hxwshrdndct,#10bx1/2	9545-008-026	8
*	Baffle-duct	9049-117-001	1
*	Deflector-duct	9114-054-001	1
3	Damper-duct	9125-009-001	2
*	Pin-hinge,damper	9451-146-007	2
*	Nut-spring	8520-141-000	4
*	Screw-hxwshrdndct,#10bx1/2	9545-008-026	4
*	Gasket-exhaust,1/8x1/4	9206-428-002	1
4	Base-duct	9047-121-001	1
5	Cover-duct,upper	9074-382-001	1
6	Cover-duct,lower	9074-383-001	1
7	Duct-transition	9109-131-001	1
*	Screw-hxwshrundrcuthd,10abx3/8	9545-008-024	59
8	Cntlasy-ign,t-20x2,gas,coin-15	9857-250-001	1

## Air Flow Switch Assembly

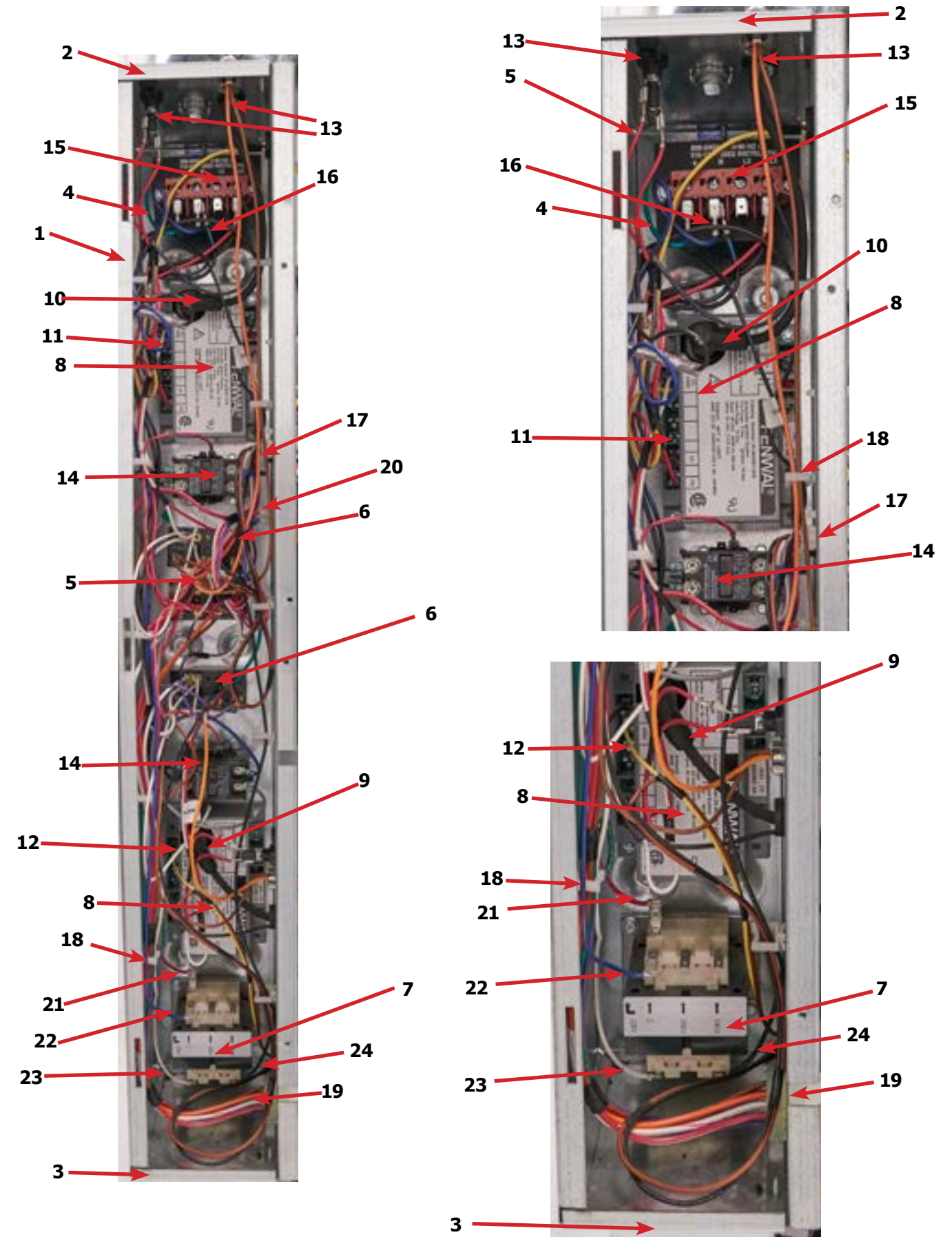


Key	Description	T-20x2	QTY
*	Air Flow switch Assy	9801-095-001	2
1	Bracket-Airflow switch	9029-174-001	2
2	Shield-Switch	9550-169-003	2
3	Switch-Micro	9539-461-009	2
4	Nut-Twin, 4-40	8640-401-001	2
5	Screw-.625, 4-40	9545-020-001	2
6	Actuator-Air Flow Switch	9008-007-001	2
7	Pin-Cotter, .09375x.75	9451-169-002	2
8	Screw, 10 B x 1/4	9545-008-001	3
*	Wireasy-brn,#13,34"	8220-063-032	1
*	Wireasy-org,#14,24"	8220-095-040	1
*	Wireasy-vio,54"	8220-103-001	1



Key	Description	T-20X2	QTY
*	Control, Rear	9857-250-001	1
1	Wrapper-controlbox	9636-219-001	1
2	Panel-upper,controlbox	9454-974-001	1
3	Panel-lower,controlbox	9454-973-001	1
*	Screw-hxwshrundrcuthd,10abx3/8	9545-008-024	6
4	Wireasy-grn/yel,7"	8220-137-002	1
*	Screw-hxwshrdsl,10-32tx1/2grn	9545-008-027	1
*	Lock washer-exttooth,#10	8641-582-006	1
5	Terminal block assembly-power	9897-026-002	1
6	Terminal block assembly-power	9897-026-001	2
*	Screw-panhdc, #8abx1/2	9545-045-012	6
7	Transformer	8711-013-001	1
*	Screw-hxwshrundrcuthd,10abx3/8	9545-008-024	4
8	Controls assy-ignition	9857-182-001	2
*	Screw-hxwshd,10abx3/4	9545-008-018	4
9	Wireasy-high voltage,#8,18 1/2"	9631-403-008	1
10	Wireasy-high voltage,#7,29 1/4"	9631-403-009	1
11	Wiring harness-ignitioncontrol Upper	9627-867-005	1
12	Wiring harness-ignition control lower	9627-867-006	1
*	Plug-plastic,7/8"	9456-041-006	2
*	Bushing-wire,7/8	9053-067-002	4
*	Connector-conduit,3/8",str	8653-068-003	1
13	Fuse holder assembly	9200-001-002	3
*	Fuse-1.5a,fast,1/4x1-1/4	8636-018-001	2
*	Fuse-2.5a,fast,1/4x1-1/4	8636-018-004	1
14	Relay-motor,30amp,24vac	5192-299-002	2
*	Screw-panhdc, #8abx1/2	9545-045-012	4
*	Wireasy-red/blk, #9,14"	8220-062-036	1
*	Wireasy-red/wht, #10,14"	8220-062-037	1
*	Wireasy-wht, #11,14"	8220-062-038	2
15	Bracket-power block	9029-202-001	1
*	Screw-hxwshrundrcuthd,10abx3/8	9545-008-024	2
*	Terminal block asy-power,4pole	9897-035-001	1
*	Screw-hxwshrundrcuthd,10abx3/8	9545-008-024	2
*	Strip-marker,terminal	9558-029-003	1
16	Wiring harness-power,main,fork	9627-859-003	1
17	Wiring harness-mainex tension	9627-953-004	1
18	Standoff-wires addlew/arrowhead	9527-007-001	22
19	Wiring harness-motor ext,w/fork Lower	9627-864-006	1
20	Wiring harness-motor extension Upper	9627-864-011	1
*	Screw-pnhdc,6bx3/8	9545-031-005	4
*	Screw-hxwshrdsl,10-32tx1/2grn	9545-008-027	2
*	Lockwasher-exttooth,#10	8641-582-006	2
21	Wireasy-red,37"	8220-095-011	1
22	Wireasy-blu,42"	8220-095-012	1
23	Wireasy-wht,22"	8220-095-048	1
24	Wireasy-blk, #30,45"	8220-095-046	1

## Control Assembly Group

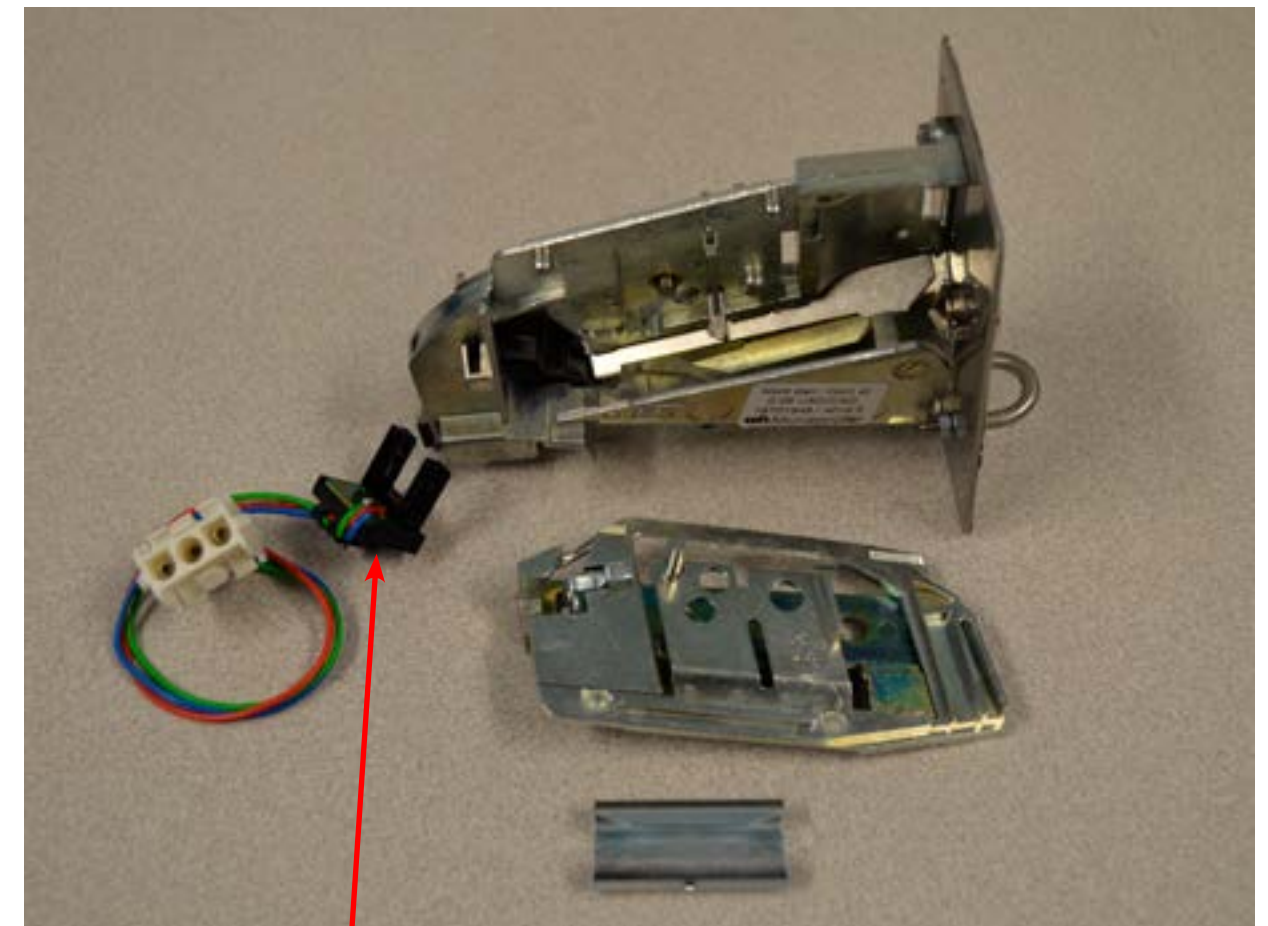


## Wire Harness

Key	Description	T-20x2	QTY
*	Wireharness-overtemp/airswitch	9627-861-002	2
*	Wireharness-main,dry,t-20x2	9627-953-004	1
*	Wiringharness-heatsensor	9627-855-003	1
*	Wireasy-org,37"	8220-095-049	1
*	Wireasy-brn,37"	8220-095-050	1
*	Wireasy-org,#14,24"	8220-095-040	1
*	Wireasy-brn,#15,24"	8220-095-041	1
*	Wireasy-yel,47/8"	8220-001-466	2
*	Wireasy-grn/yel,#16,24"	8220-137-001	1
*	Wiringharness-ignitioncontrol	9627-867-005	1
*	Wiringharness-ignitioncontrol	9627-867-006	1
*	Wiringharness-power,main,fork	9627-859-003	1
*	Wiringharness-mainextension	9627-953-004	1
*	Wiringharness-motorext,w/fork	9627-864-006	1
*	Wiringharness-motorextension	9627-864-011	1
*	Wireasy-grn/yel,7"	8220-137-002	1
*	Wireasy-red/blk,#9,14"	8220-062-036	1
*	Wireasy-red/wht,#10,14"	8220-062-037	1
*	Wireasy-wht,#11,14"	8220-062-038	2
*	Wireasy-red,37"	8220-095-011	1
*	Wireasy-blu,42"	8220-095-012	1
*	Wireasy-wht,22"	8220-095-048	1
*	Wireasy-blk,#30,45"	8220-095-046	1

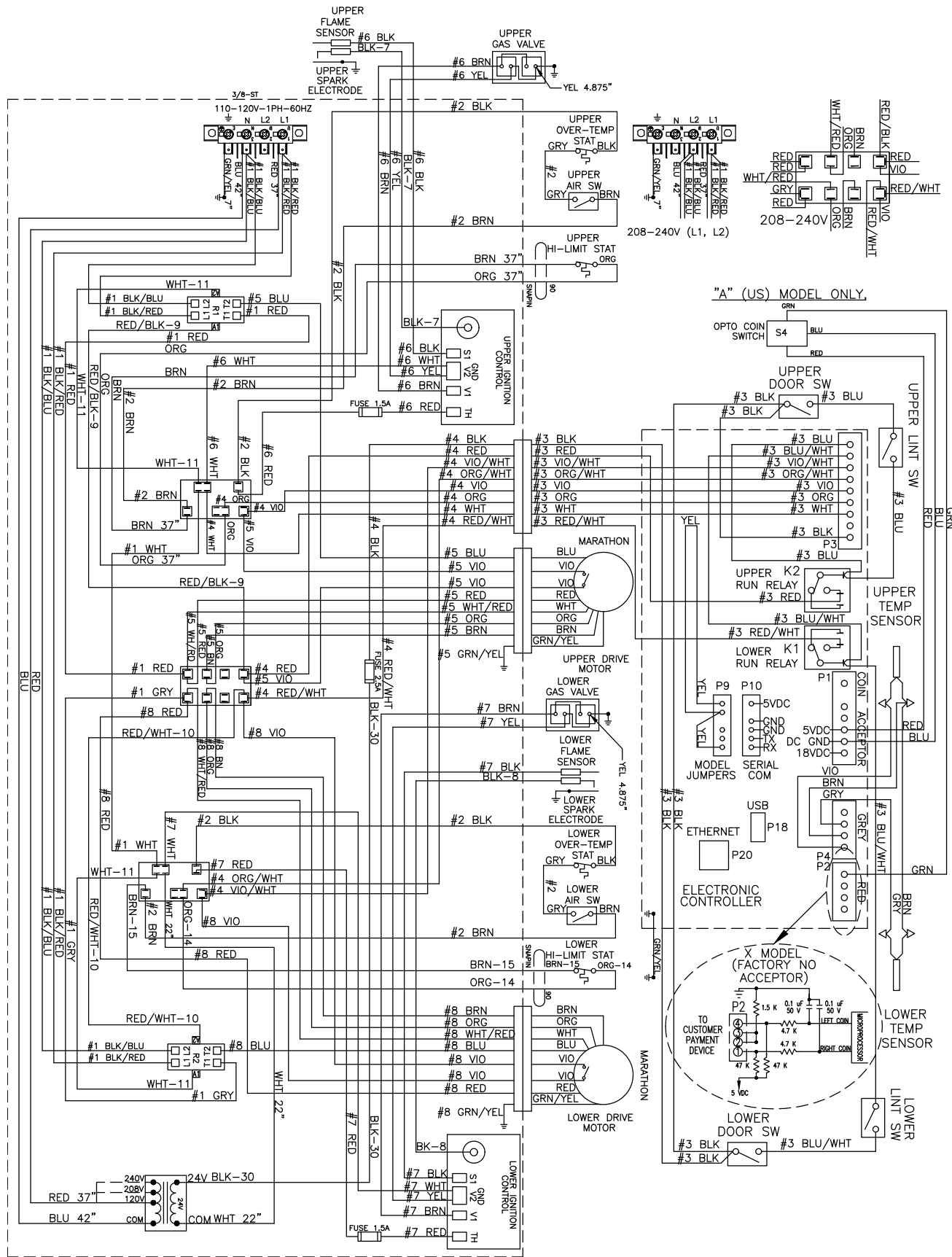
## Coin Handling Group

Key	Description	Part Number	Qty
	Coin Acceptor, Optical, US Quarter	9021-092-002	1
*	Retainer, Coin Acceptor	9486-149-001	1
*	Screw, Torx	9545-053-002	4
1	Switch Assembly, Optical Sensor	9801-099-003	1
*	Harness, Acceptor Mechanical (Control to Acceptor)	9627-783-003	1
*	Coin Vault	9942-038-005	1
*	Screw, 10AB X 3/8	9545-008-024	2
*	Plateasy-coinvaultmounting	9982-338-001	1



1

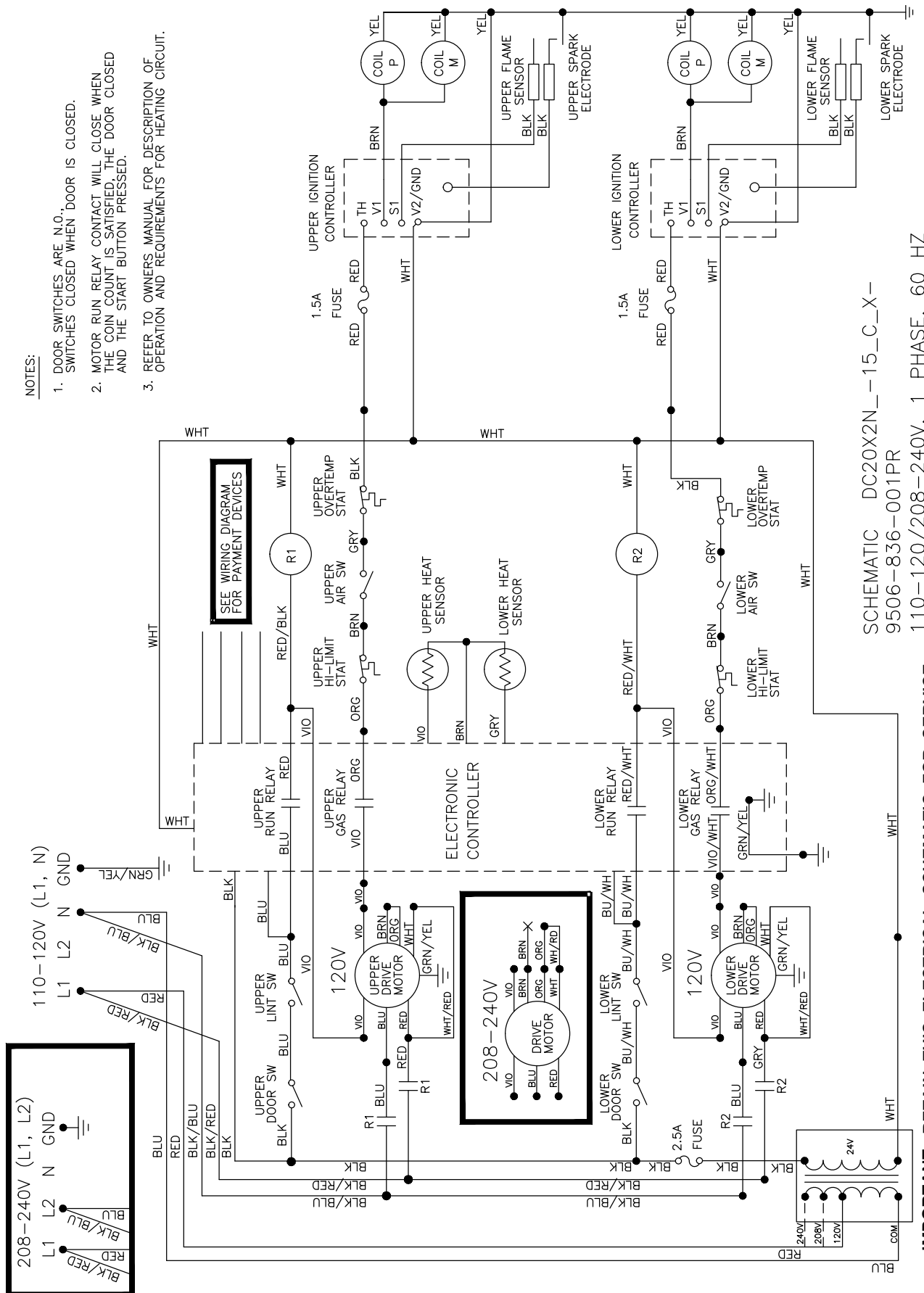
# Wiring Diagram for DC20x2



9506-836-001PR WIRING DIAGRAM DC20X2N\_-15\_C\_X-

**IMPORTANT: RETAIN THIS ELECTRICAL DIAGRAM FOR SERVICE.**

# Wiring Schematic for DC20x2



- NOTES:
1. DOOR SWITCHES ARE N.O., SWITCHES CLOSED WHEN DOOR IS CLOSED.
  2. MOTOR RUN RELAY CONTACT WILL CLOSE WHEN THE COIN COUNT IS SATISFIED, THE DOOR CLOSED AND THE START BUTTON PRESSED.
  3. REFER TO OWNERS MANUAL FOR DESCRIPTION OF OPERATION AND REQUIREMENTS FOR HEATING CIRCUIT.

SCHEMATIC DC20X2N\_-15\_C\_X-  
9506-836-001PR  
110-120/208-240V, 1 PHASE, 60 HZ

**IMPORTANT: RETAIN THIS ELECTRICAL SCHEMATIC FOR SERVICE.**

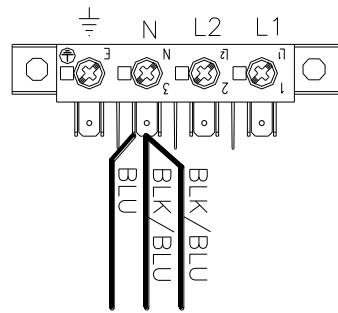




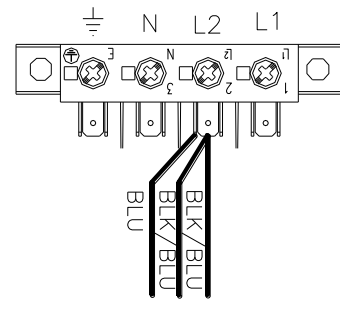
**Instructions - Convert a Dual Voltage Stack Dryer from 120V to 208-240V  
(No Neutral Required)**

1. Remove incoming power from the dryer. Use a known working voltmeter to check power.
2. Remove the cover of the control box assembly from the dryer using a 5/16" wrench.
3. Move the black/blue wire AND the blue wire from the N position of the main power terminal block to the L2 position of the main power terminal block in the upper control box assembly. See figure below.
4. Move the white/red wire of the upper motor harness to an upper inner left terminal in the middle terminal block in the lower control box assembly. See figure below.
5. Move the orange wire of the upper motor harness to an upper inner left terminal in the middle terminal block in the lower control box assembly. See figure below.
6. Move the white/red wire of the lower motor harness to a lower inner left terminal in the middle terminal block in the lower control box assembly. See figure below.
7. Move the orange wire of the lower motor harness to a lower inner left terminal in the middle terminal block in the lower control box assembly. See figure below.

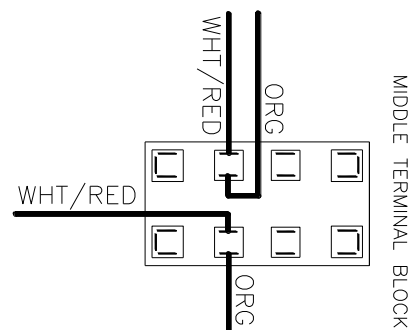
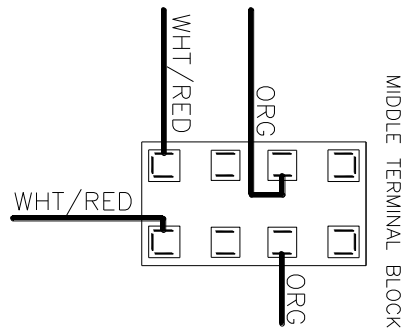
Conversion instructions continued on next page.



110-120V (L1, N)

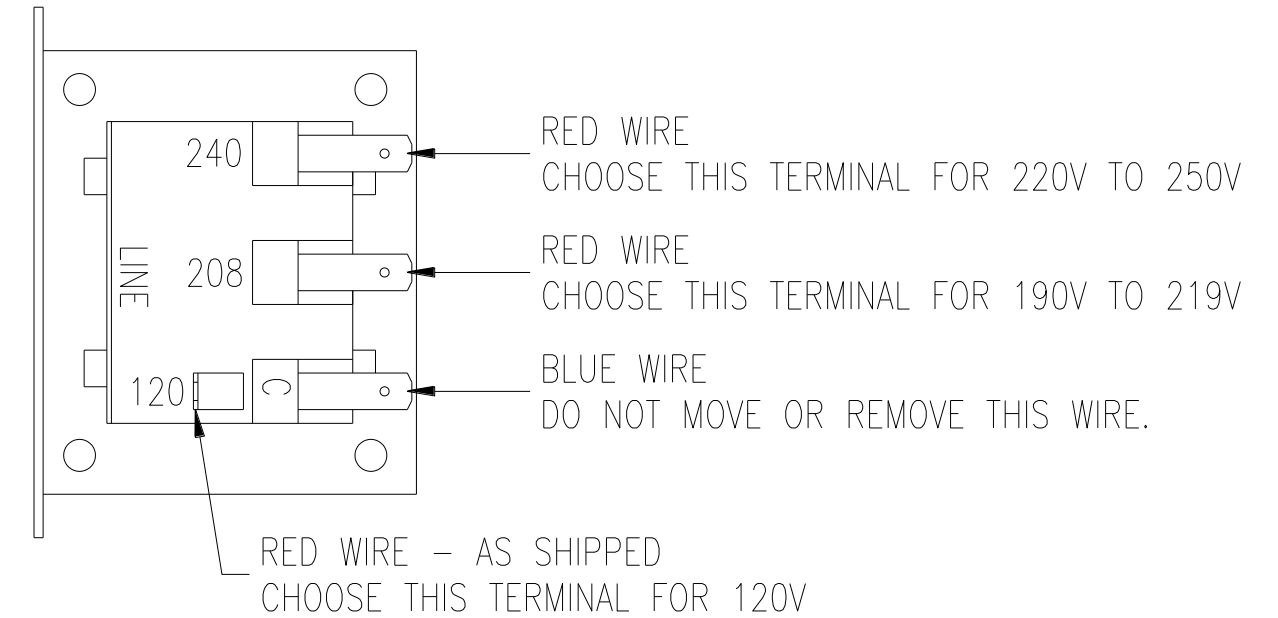


208-240V (L1, L2)



8. Move the red wire from the 120V tap on the transformer found in the bottom of control box to the required voltage tap based on actual supply voltage measurement. See figure below.

CONTROL TRANSFORMER CONNECTIONS  
AS VIEWED FROM SIDE OF TRANSFORMER



9. Reconnect power to the dryer and test to ensure proper operation; one line voltage to L1, one line voltage to L2 and the earth ground to E.
10. Reinstall the cover of the control box assembly on the dryer using a 5/16" wrench.



---

## 50HZ Wiring Schematic Dryer Idle - No Coins Added

Top Dryer Used For This Example

230 VAC 50 HZ is supplied to the Main Power Terminal Block and passes through a In-line Noise Filter and comes out on BLK/RED and BLK/BLU wire. 230 VAC now passes to a Multitap Control Step Down Transformer and also passes to the Motor Control Relay (R1&R2). When there is power to the dryer the Computer Board will be powered and the display lighted from the 24 VAC secondary side of Control Step Down Transformer. 24 VAC from here is also on one side of the door switch on a black wire. Closing the loading door allows 24 VAC to pass on to the Computer Board on two blue wires. One blue wire makes 24 VAC available to one side of the Motor Run Relay on Computer Board. The other blue wire provides a 24 VAC signal to the Computer Board telling it that the door is closed and door light on the computer board should be illuminated.

## Coins Added - Motor Starting and Running

Top Dryer Used For This Example

As each coin is added the Coin Switch closes and completes a circuit to the Computer Board. The Computer Board counts these signals and registers them against time. The time will display once the Start Button for Upper or Lower is pushed. When the Start Button is pushed again the Computer Board Motor Run Relay closes on the computer. With this Relay closed, 24 VAC is supplied to the Motor Control Relay (R1) on the red wire and also a violet wire going down to motor. The motor LED on the computer board should be illuminated anytime the computer calls for the motor to operate. With (R1) engaged and 230 VAC at motor the Motor Start Switch in motor is drawn in to the start position. In this position the incoming power 230 VAC is supplied directly to the main run winding and through the Start Capacitor to the Auxiliary Winding (start winding). As the Motor comes up to speed, the centrifical switch inside motor opens the circuit to the Start Winding and closes the circuit to allow 24 VAC to pass to the Gas Relay on the Computer Board on the other violet wire. The heat circuit in the dryer can not operate if the motor is not running. The gas LED on the computer board will be illuminated when Computer Board calls for the heat after Motor Centrifical Switch has closed.

## Heat Circuit

Top Dryer Used For This Example

With the Drive Motor running and 24 VAC provided to the Computer Board Gas Relay, it will close if Computer Board senses programmed temperature is needed. The violet wire changes to an orange wire out of the Computer Board Gas Relay. When this relay closes it provides 24 VAC to the High Limit Thermostat. The High Limit Thermostat is normally closed. (It will open, turning off the heat circuit, if the dryer can't move enough air from problems such as an exhaust restriction or other problems.) 24 VAC now goes through to the normally open Air Switch (Sail Switch) on the brown wire. This switch is closed only if the dryer is running and has the correct air flow. With the dryer running and the Air Switch closed, 24 VAC is supplied to the normally closed upper manual reset Overtemp Thermostat on the gray wire and changes to the black wire out of switch and then changes to red wire and goes to the 1.5 amp in-line fuse that protects the Upper Ignition Controller (GREY BOX). With 24 VAC now supplied to the Upper Ignition Controller (GREY BOX) it will then send high voltage to the Spark Ignition Electrode via the High Voltage Lead Wire (this lead looks like an automotive spark plug wire). The Ignition Control Module (GREY BOX) simultaneously sends 24VAC to the Gas Valve Coil which open the Gas Valve and allows gas to pass through to the main burner. When ignition occurs the high voltage sparking stops and if Ignition Control Module (GREY BOX) gets a flame sense signal it will allow gas valve coil to remain energized and continue burner operation. If ignition does not occur, the Ignition Control Module (GREY BOX) will spark for 10 seconds before locking out.

---

## Manual Reset Safety Shutoff Over-Temperature Thermostat

Top Dryer Used For This Example

This thermostat is manually reset by pushing in the red button. The Over Temperature Thermostat is a safety backup for the entire Heat Circuit and located in the recirculation chamber area on the side of the burner housing. If the dryer over heats this Over Temperature Thermostat it opens the line to turn off the heat but leaves the Computer Board lighted and the drive motor powered and turning so the basket will cool down.

## Cool Down

Top Dryer Used For This Example

At the preprogrammed time (2 minutes factory setting--adjustable) the Computer Board will open the Gas Relay Contact. This allows the Drive Motor to continue to run but without heat. The gas light on the computer board should not be illuminated anytime the computer is in cool down. This Cool Down period allows the clothing (zippers, snaps, etc.) time to cool down to a temperature that is easily handled by customers.

## End of Cycle

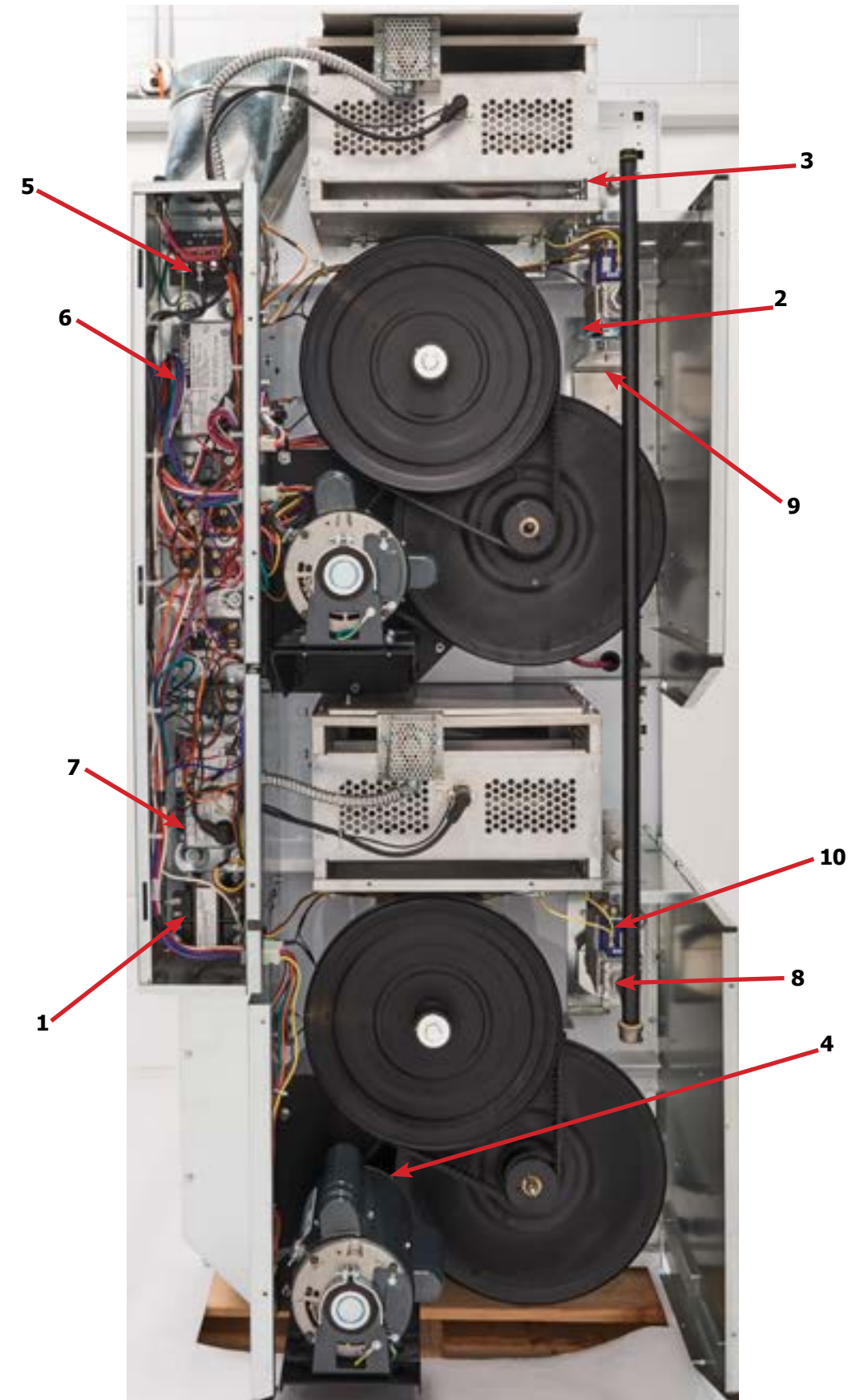
Top Dryer Used For This Example

At the end of the cool down, the Computer Board opens the Upper Run Relay, which removes power from the Motor Control Relay (R1) and also removes power to the Drive Motor. The motor light on the computer board should no longer be illuminated. The Drive Motor and tumbler stops and the Computer Board display now flashes until the dryer loading door is opened. Once the dryer loading door is opened to remove the clothing the display goes back to vend price.

## DC20x2-39 Additional Part

Key	Description	T-20x2	QTY
*	INFORMATIVE-DC20X2N_-39	6102-018-368	1
*	INFORMATIVE-MOUNTING LOCATIONS	6102-034-001	1
*	WIREASY-WHT,#6,11"	8220-065-033	1
*	WIREASY-BLK,#5,40"	8220-065-040	1
*	WIREASY-BLK/RED,#3,15"	8220-149-001	1
*	WIREASY-BLK/BLU,#4,19"	8220-149-002	1
*	LABEL-AUSSIE WARNING	8502-698-001	1
*	LABEL-AUST GAS APPROVAL BADGE	8502-699-001	1
*	LABEL-WARNING,NATURALGAS	8502-770-001	1
*	INSTRUCTIONS-DRYINSTALL/START	8507-350-001	1
*	INSTRUCT-AUS ADDENDUM,CONTACT	8507-440-001	1
*	CONNECTOR-WIRE,INLINE,1/4"	8653-039-000	1
*	NIPPLE-1/2CLOSE,BLK	8655-073-041	2
1	TRANSFORMER-CONTROL	8711-008-002	1
2	BRACKET-AIRFLOW,SWITCH,50HZ	9029-174-002	2
*	NAMEPLATE-DEXTER,T-20X2,BLK	9412-251-001	1
3	ORIFICE-MAIN BURNER,#43	9425-069-025	4
*	OVERLAY-DRAWER,FRT,BLK,W/TEXT	9435-053-003	2
*	OVERLAY-ESC,T-20X2,UP,COIN,BLK	9435-058-001	1
*	OVERLAY-ESCU,T-20X2,LWR,BLK	9435-060-001	1
	PLATE-COVER,COINACCEPT(MAKE)	9452-658-002	1
4	PULLEY-MOTOR,50HZ	9453-185-002	2
*	WIRINGLABEL-SCHEMATIC/DIAGRAM	9506-837-001	1
*	STRIP-MARKER,TERMINAL	9558-029-004	1
5	WIRING HARNESS-POWER MAIN,W/FORK	9627-859-002	1
6	WIRING HARNESS-IGNITION CONTROL Upper	9627-867-001	1
7	WIRINGHARNESS-IGNITION CONTROL Lower	9627-867-002	1
8	KIT-HONEYWELL VR86 VALVEFLG,1/2"	9732-162-001	4
9	SWITCH ASSEMBLY-AIRFLOW,50HZ	9801-095-002	2
10	CONTROL ASSEMBLY-GAS	9857-132-004	2
*	CONTRLASY-STKCOIN,1.5,24V,BLK	9857-198-004	1
*	CNTL ASY-IGN,T-20X2,GAS,COIN-39	9857-250-002	1
*	DRAWER ASSY-LINT,COIN,BLK,W/TXT	9866-008-004	2

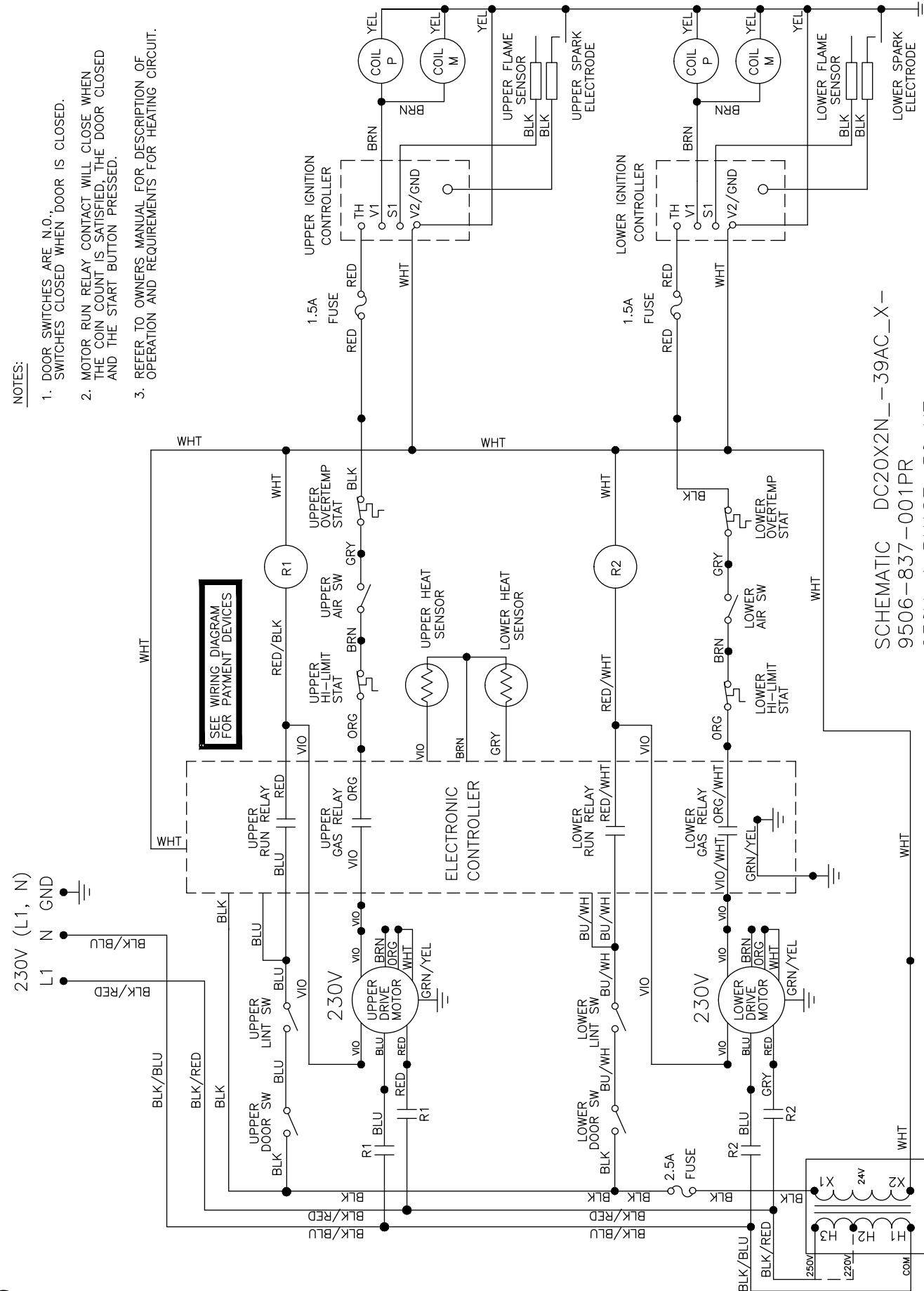
7





# Wiring Schematic for DC20x2-39

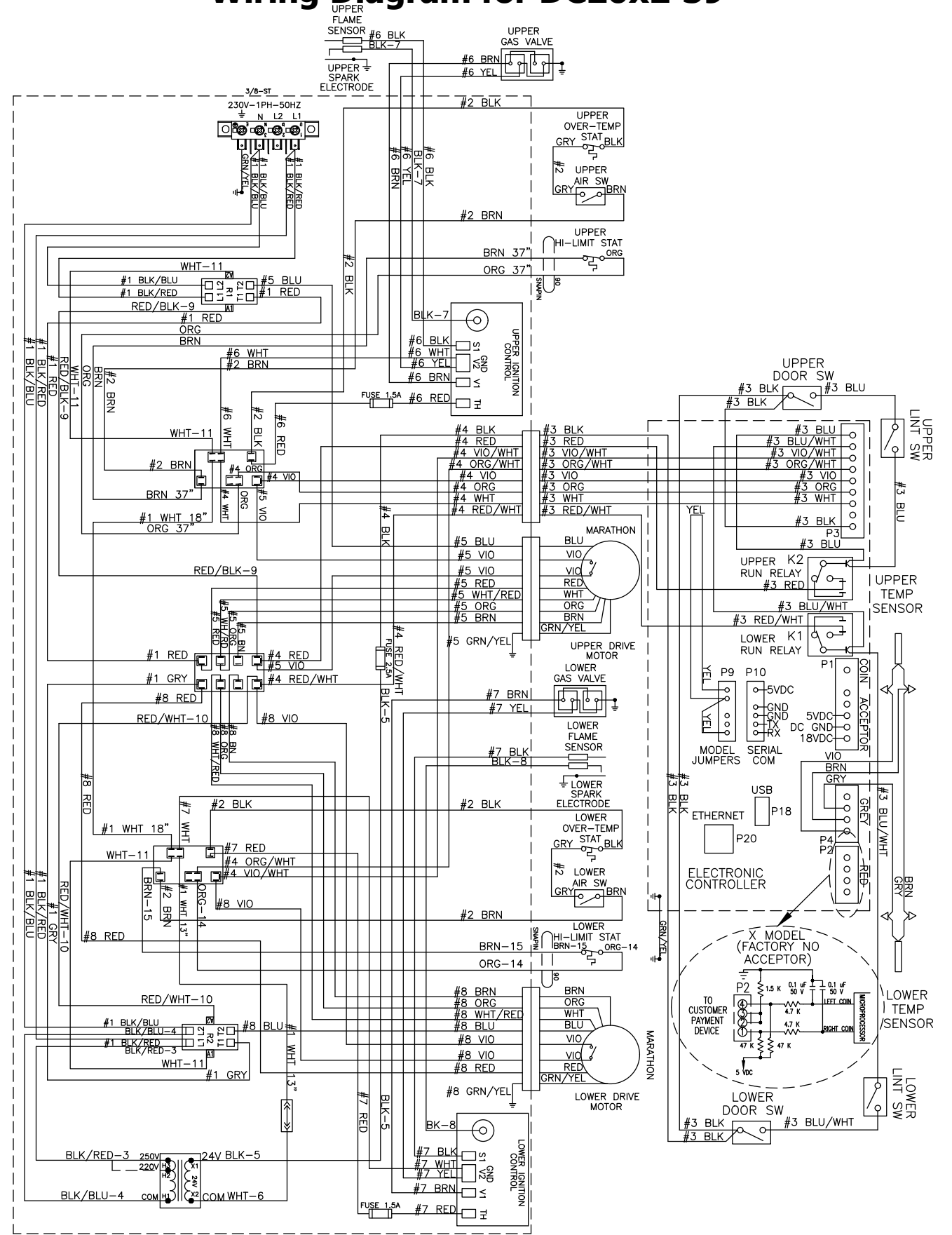
- NOTES:**
1. DOOR SWITCHES ARE N.O., SWITCHES CLOSED WHEN DOOR IS CLOSED.
  2. MOTOR RUN RELAY CONTACT WILL CLOSE WHEN THE COIN COUNT IS SATISFIED, THE DOOR CLOSED AND THE START BUTTON PRESSED.
  3. REFER TO OWNERS MANUAL FOR DESCRIPTION OF OPERATION AND REQUIREMENTS FOR HEATING CIRCUIT.



SCHEMATIC DC20X2N\_-39AC\_X-  
9506-837-001PR  
230V, 1 PHASE, 50 HZ

**IMPORTANT: RETAIN THIS ELECTRICAL SCHEMATIC FOR SERVICE.**

# Wiring Diagram for DC20x2-39



9506-837-001PR WIRING DIAGRAM DC20X2N\_-39AC\_X-

**IMPORTANT: RETAIN THIS ELECTRICAL DIAGRAM FOR SERVICE.**