



DEXTER[®]
LAUNDRY

**USE THE BLUE TABS LOCATED ON THE
RIGHT AND LEFT SIDES OF THE FOLLOWING
DOCUMENT TO ADVANCE TO EACH SECTION.**

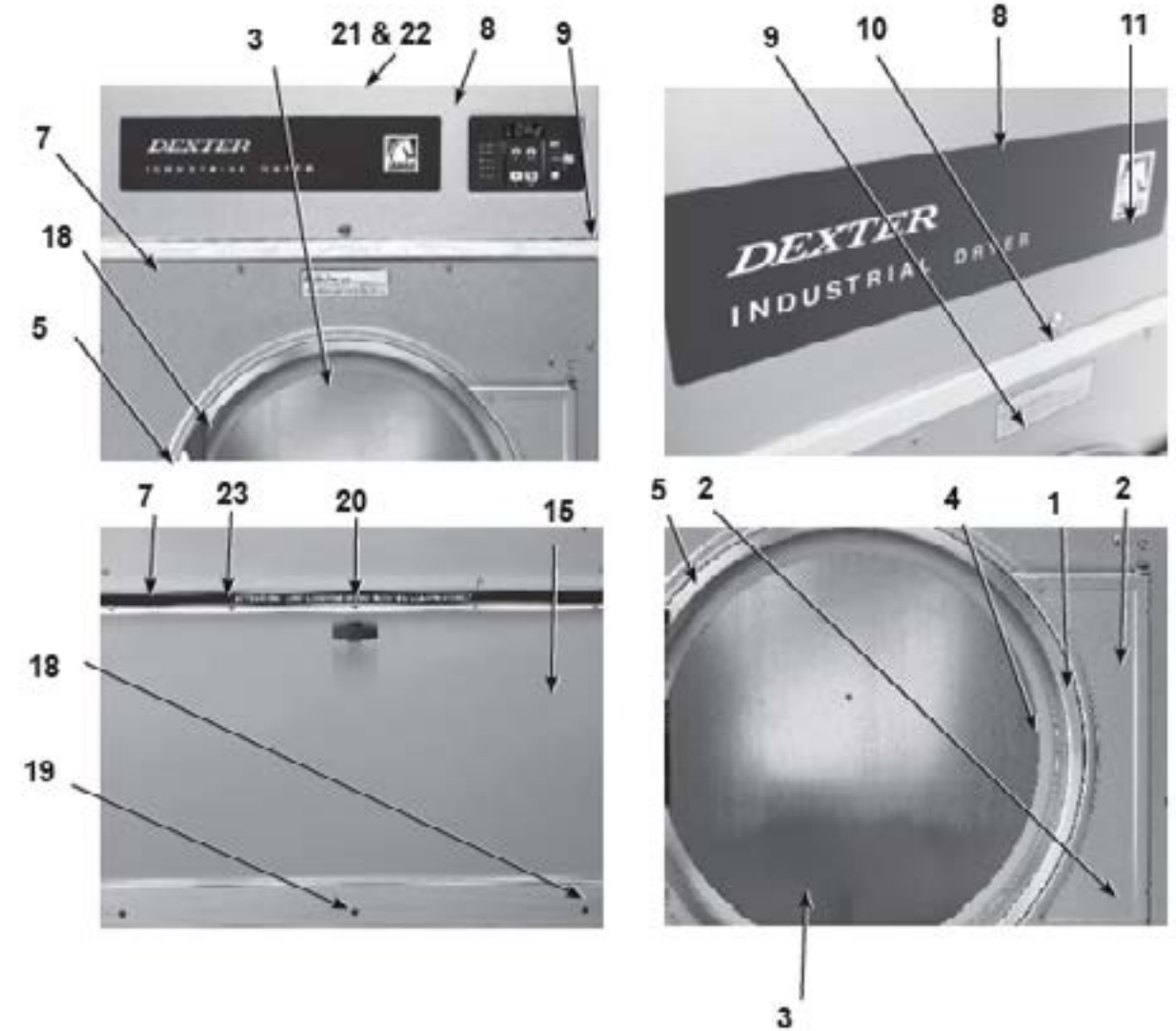
Kits, Assemblies, & Common Parts

Loading Door Components	Part Number
Door Handle	9244-082-001
Door Close Switch	9539-461-007
Electrical Components	Part Number
Transformer, Control	8711-007-001
Controls	9732-249-001
Heating Circuit Components	Part Number
Ignition Control Module	9857-116-003
Ignition Electrode Assembly	9875-002-003
Thermostat, Hi-Limit	9576-203-002
Thermostat, Overtemp	9576-207-006
Fuseholder	9200-001-002
Fuse 1.5 amp	8636-018-001
Airflow Switch	9539-461-009
Cabinet Components	Part Number
Cleanout Duct Assembly 8"	9973-034-001

Section 6: Parts Data

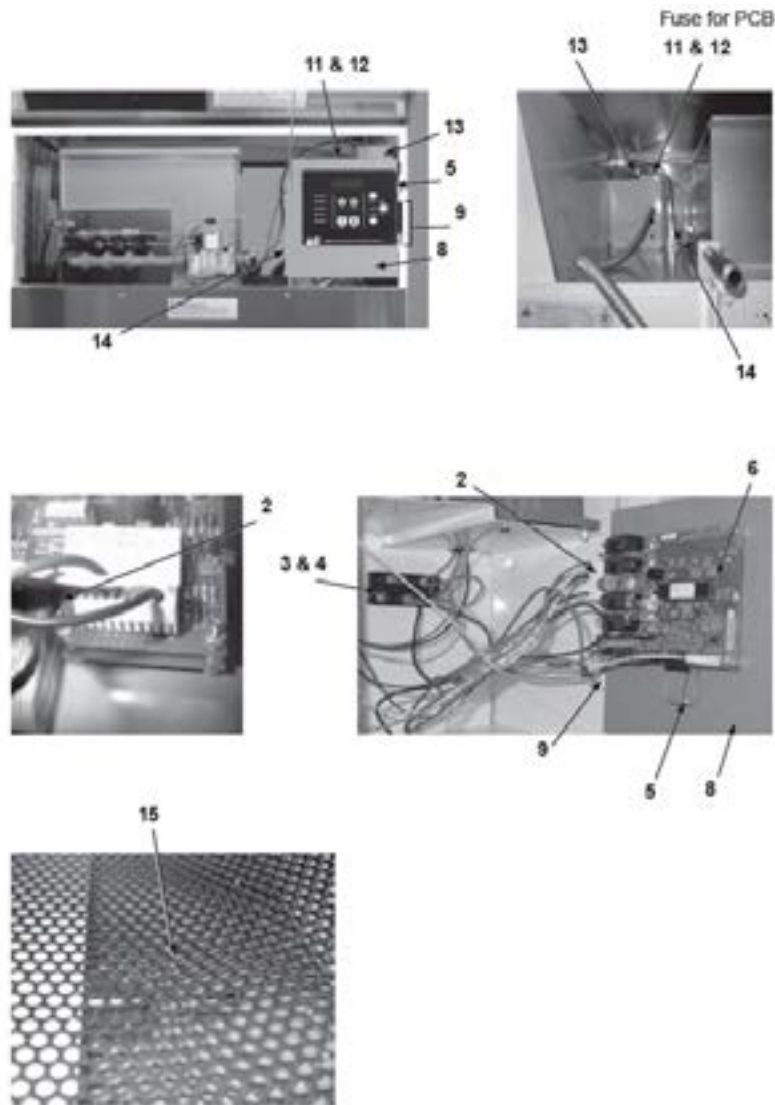
Cabinet Group

Key	Part Number	Description	Qty
*	9960-256-021	Door Assy., Loading Complete-Wht	1
*	9960-256-025	Door Assy., Loading Complete-SS	1
1	9960-255-007	Door Assy.ONLY, Loading-SS	1
2	9982-280-002	Plate Assy., Hinge (Wht)	1
2	9982-280-011	Plate Assy., Hinge (SS)	1
*	9545-012-015	Screw, Hinge to Door 10-32 x 3/8"	4
*	8640-413-002	Nut, Hinge to Door #10-32 UNF	4
3	9212-002-003	Glass, Door	1
4	9206-164-009	Gasket, Glass	1
*	9548-117-000	Support, Door Glass (inside gasket)	1
5	9206-420-002	Gasket, Outer Rim	1
6	9244-082-001	Handle, Loading Door	1
*	9545-018-017	Screw, Handle 1/4"-20 x 3/8"	2
*	9531-033-001	Stud, Door Catch	1
*	8640-413-001	Nut, Hex	1
*	8640-413-003	Nut , Acorn # 10-32	1
*	9086-015-002	Catch, Loading Door	1
7	9454-694-007	Panel Assy., Front- white only	1
7	9454-694-001	Panel Assy., Front- S. Steel	1
8	9108-102-001	Door, Upper Service-S.S	1
8	9108-102-004	Door, Upper Service-White	1
9	9578-091-003	Trim, Door-Upper Service	1
	6292-006-006	Key (only) (FJWCC)	1
10	8650-006-003	Lock w/ nut, Upper Service Door	1
*	9491-009-001	Rivet, Drive	2
*	8641-581-005	Washer, Flat 3/16"	2
*	9548-268-001	Support, Upper Door	1
11	9412-127-001	Nameplate, Commercial Dryer	1
12	9545-012-003	Screw, Chrome 10-32 x 1/2"	4
*	8641-436-004	Washer, Fiber	4
*	8641-582-019	Lockwasher # 10	10
*	8640-399-001	Nut, Spring U type 10Z	6
13	9544-047-002	Strap, Hinge (White)	1
13	9544-047-007	Strap, Hinge (Gray)	1
*	9545-012-003	Screw, Hinge to Panel 10T-32 x 1/2"	4
14	9545-052-001	Screw, Door to Hinge Strap (special)	1
*	8641-436-003	Washer, Fiber/ Plastic VSCO on Door Hinge (special)	1
15	9960-280-001	Door Ass'y, Lower Service-SS	1
15	9960-280-003	Door Ass'y, Lower Service-White	1
16	9578-088-002	Trim, Door - Lower Service	1
17	9545-008-021	Screw,Pn Hd Cr., #10Bx3/8	5
18	9578-084-003	Trim, Kick- Lower Service Door	1
19	9545-008-010	Screw, Tr Hd Cr-#10x1/2 Blk	3
20	9244-084-001	Latch, Lower Door (Handle)	1
23	9435-016-002	Overlay Trim	1
*	8502-617-001	Label - Made in the USA	1
*	9277-051-002	Insulation Side Panel	3



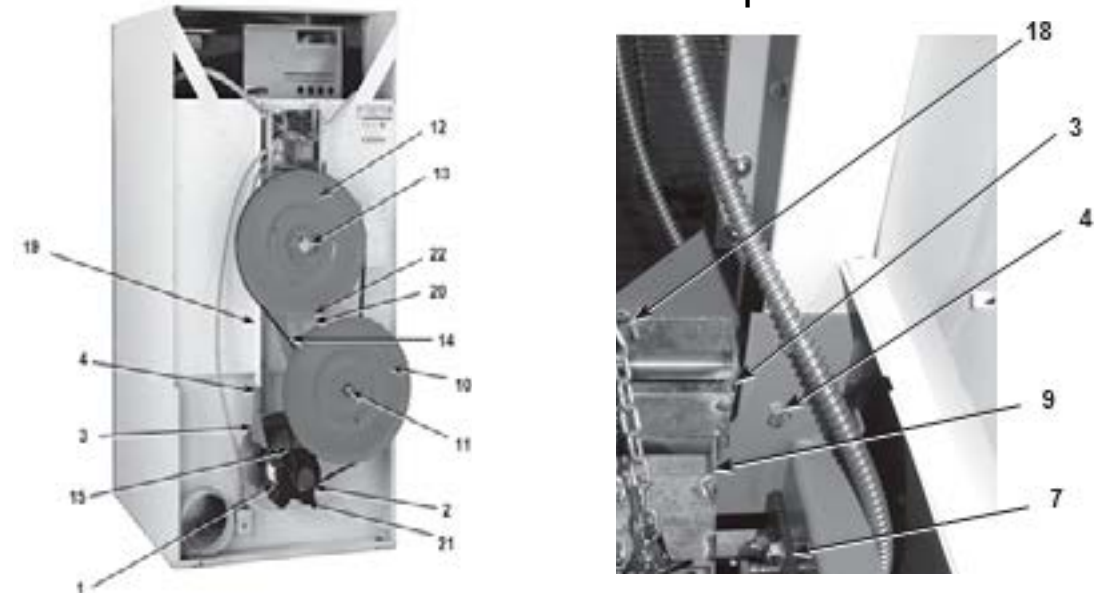
Key	Part Number	Description	Qty
*	9277-051-001	Insulation Side Panels	6
*	9277-052-002	Insulation Front Panel Bottom	1
*	9277-052-001	Insulation Front Panel Top	1
*	8544-006-001	Leg, Leveling	4
*	9049-075-001	Baffle, Cabinet- Left Inside Cabinet	1
*	9049-075-002	Baffle, Cabinet- Right Inside Cabinet	1
*	9545-008-003	Screw, #10x1/2 TEK	8
21	9074-276-001	Cover, Cabinet	1
22	9545-008-024	Screw 10AB x 3/8"	10
*	9277-050-001	Insulation Cover Service Door	1
*	9277-041-003	Insulation	1
*	9277-047-002	Insulation 1/4" black	1

Front Control Housing Group



Key	Part Number	Description	Qty
2	9627-770-001	Wiring Harness Micro	1
3	9897-026-001	Terminal Block Assembly	1
4	9545-031-004	Screw 6AB x 3/8" (for terminal block)	2
5	9801-085-001	Membrane Switch Assembly	1
6	9732-249-001	PCB Board Controller	1
8	9982-326-002	Plate Assembly, Control Mounting	1
9	9451-146-005	Pin- Hinge meterplate	2
11	9054-045-001	Fuseholder	1
12	8636-018-001	Fuse 1.5 amp	1
13	9857-116-003	Control, Ignition	1
14	9631-403-003	Wire Ass'y High Voltage (from ignition control)	1
*	8636-024-001	Electronic Control PCB Fuse on PCB .600 MA/250V	1
15	9501-004-002	Temperature Sensor	1
*	9627-679-002	Sensor Wire Harness	1
*	9029-111-001	Bracket Sensor Mounting	1
*	9545-045-005	Screw Mounting Bracket 8B x 1/4"	1

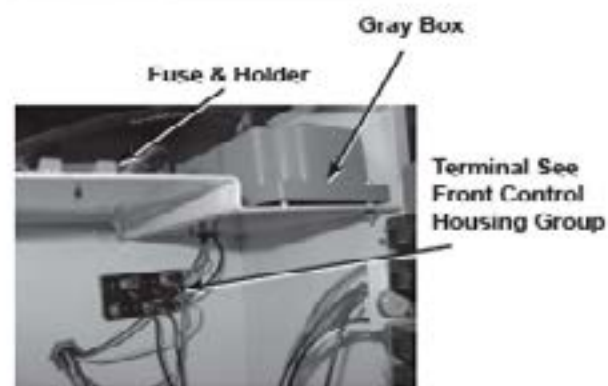
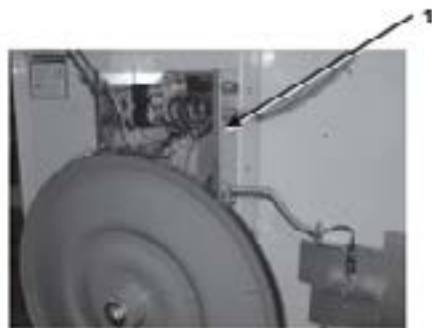
Drive Group



Key	Part Number	Description	Qty
1	9376-300-001	Motor, Drive	1
*	9732-205-007	Motor Replacement Kit	1
*	9545-014-004	Screw, Hx 5/16-18 x 5/8"	4
*	8640-400-003	Nut 5/16-18	4
2	9453-169-010	Pulley, Motor	1
*	9545-028-013	Screw, Set	2
3	9991-054-004	Support Assembly, Motor	1
4	9545-014-004	Screw	4
4	8640-419-003	Nut	4
5	9991-053-001	Support Assembly, Intermed. Pulley	1
6	9545-029-010	Bolt, Rd Hd, 3/8-16 x 1 1/4"	3
7	9545-029-003	Screw, 3/8-16 x 1 1/2"	1
8	8640-415-004	Nut 3/8-16	3
*	8641-581-035	Washer, Flat	4
9	9861-024-003	Arm Assembly-Tension	1
*	8641-581-035	Washer, Flat	1
*	9487-200-006	Ring-Retaining	1
10	9908-042-006	Pulley Assembly, Intermediate - w/bearings	1
11	9036-159-007	Bearing, Ball-Idler Pulley	2
*	9538-173-002	Spacer, Bearing	1
12	9908-043-002	Pulley Driven	1
*	9487-234-001	Ring, Tolerance	1
13	8641-581-026	Washer, Flat	1
13	8641-582-016	Lockwasher	1
13	9545-017-009	Screw, Hx Cap	1
14	9040-077-005	Belt, Final Drive	1
15	9040-077-003	Belt, Motor Drive	1
16	9534-151-000	Spring, Belt Tension	1
17	9099-012-002	Chain, Spring Tension	1
18	9248-022-002	Hook, Tension	1
*	9208-066-001	Guard, Drive	1
19	9454-692-001	Panel, Drive Guard, RH	1
20	9454-693-001	Panel, Drive Guard, LH	1
21	9550-175-001	Shield, Motor	1
*	9545-008-003	Screw	2
22	9545-008-024	Screw (to attach to guards above)	30

Rear Control Group

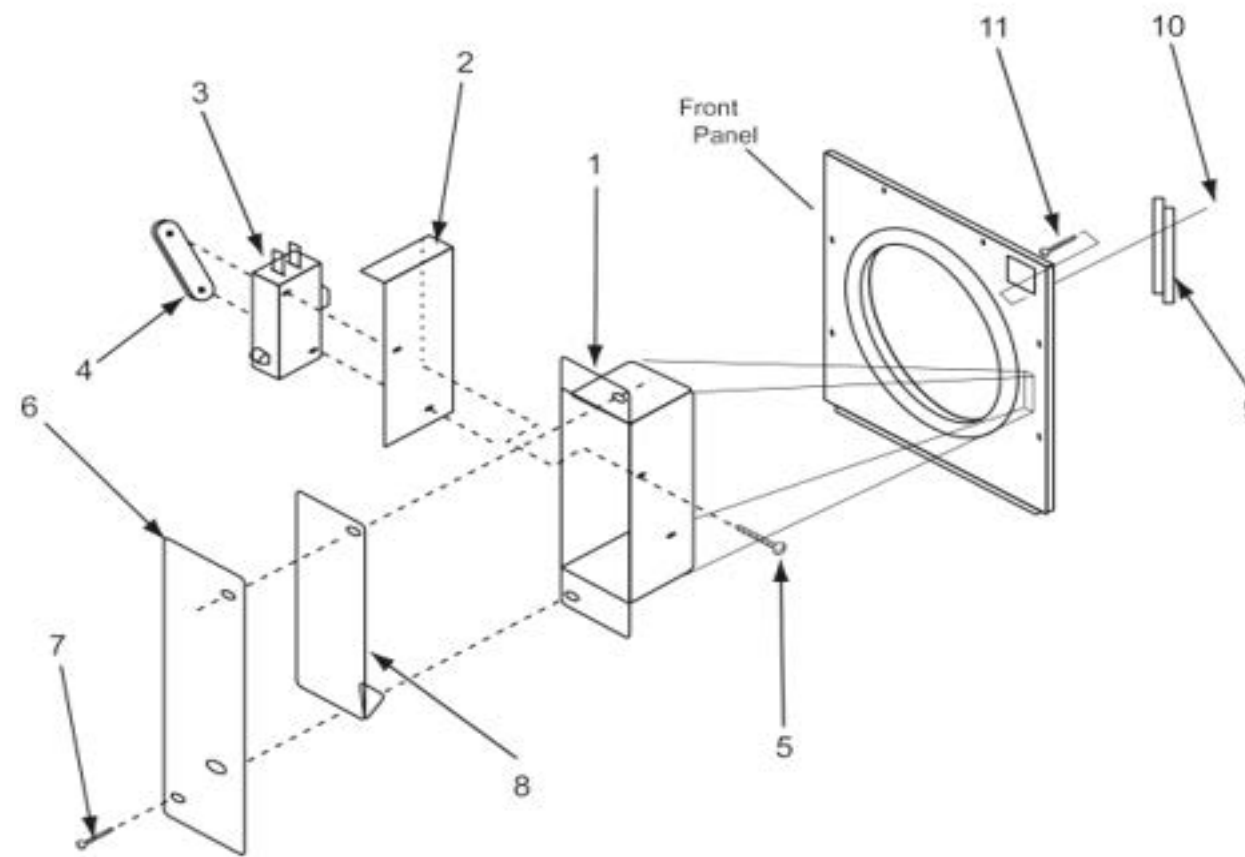
Key	Part Number	Description	Quantity
1	9041-081-001	Box , Control.....	1
*	9074-304-001	Cover, Control Box Upper.....	1
*	9545-008-024	Screw 10AB x 3/8".....	4
2	5192-295-011	Relay (Large).....	1
*	9545-044-002	Screw, #8ABx 3/8.....	2
3	9897-035-001	Terminal Block Assembly, Power.....	1
4	9558-029-005	Strip , Terminal Marker.....	1
*	9545-045-002	Screw, #8ABx 3/8.....	2
*	8641-582-006	Lockwasher, Ex Tooth # 10.....	1
*	9074-305-001	Cover control box lower.....	1
10	8639-621-007	Screw #10-32 x 1/2 GRN.....	1
*	8640-411-003	Nut Hexkeys #6-32.....	2
9	5192-285-001	Relay (Clear).....	1
11	8711-007-001	Transformer.....	1
*	9545-012-009	Screw--#10-32 x 1/2" Mount Transformer	2
*	8640-413-002	Nut Hexkeys #10-21 UNF Mount Transformer	2
*	9545-031-003	Screw #6Bx 3/8 Mount Small Relay.....	2
*	8220-063-018	Wire Assembly White 8".....	1
*	8220-001-230	Wire Assembly Black/Red 8 1/2".....	1
*	8220-001-231	Wire Assembly Black/Blue.....	1
*	8220-001-452	Wire Assembly White 12 1/4".....	1
*	8220-001-478	Wire Assembly Green 7".....	1
*	8220-067-001	Wire Assembly Black/Red 7 3/4".....	1
*	8220-067-002	Wire Assembly Black/Blue 7 3/4".....	1
12	9376-300-001	Motor.....	1



Door Switch Group

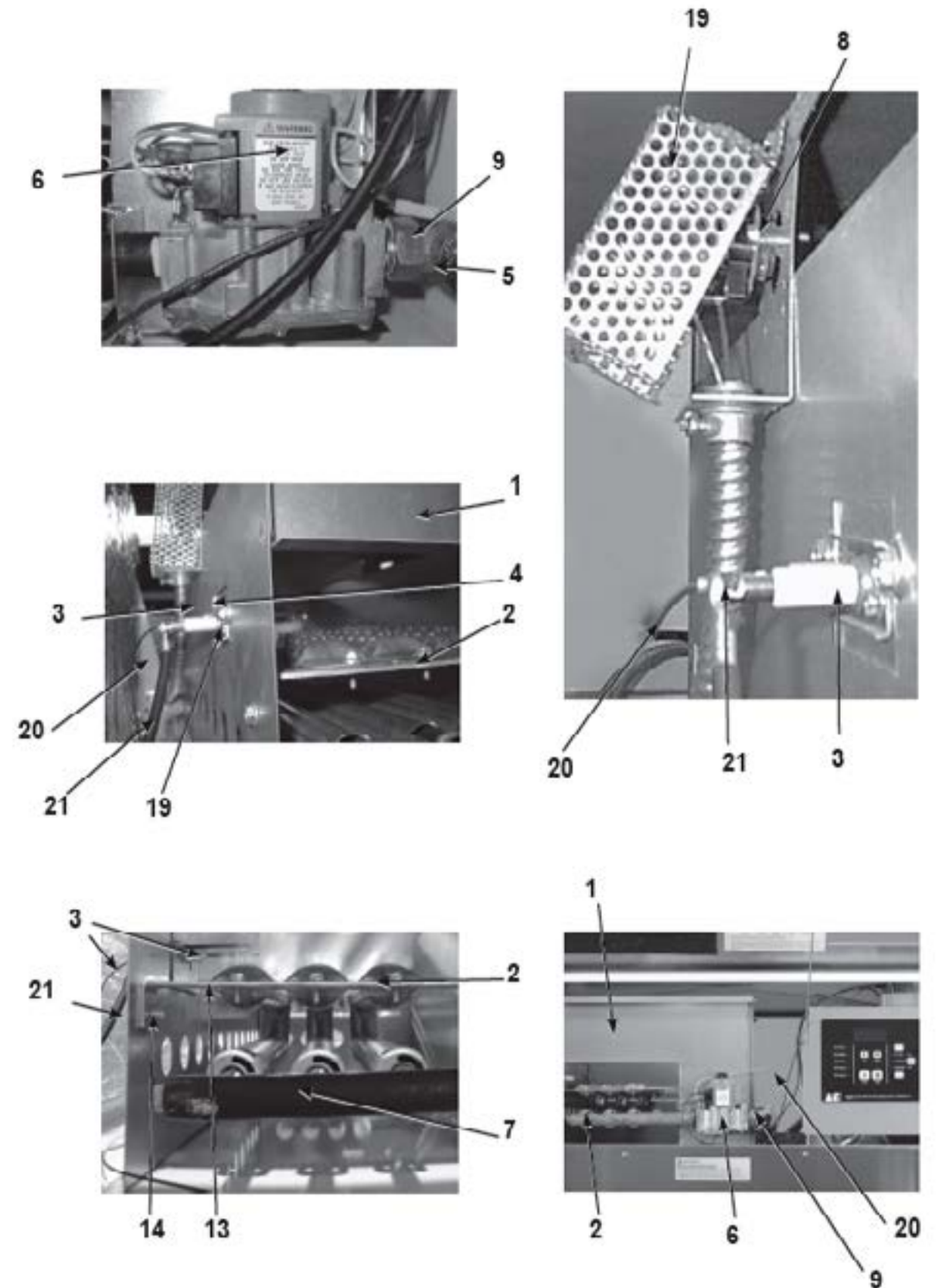
Key	Part Number	Description	Quantity
1	9041-076-001	Box, Door Switch.....	1
2	9550-159-001	Shield, Door Switch.....	1
3	9539-461-007	Switch, Door.....	1
4	8640-401-001	Nut, Special Twin #4-40.....	1
5	9545-020-001	Screw, Pn Hd Sl.#4-40x5/8.....	2
6	9074-255-001	Cover, Switch Box.....	1
7	9545-008-020	Screw, Box Cover 10 AB x 3/4".....	2
8	9008-004-001	Actuator, Switch.....	1
9	6068-041-001	Conduit Special.....	1
10	9545-012-003	Screw. 10-32 x 1/2".....	1
*	8641-436-000	Washer, Fiber.....	1
11	8640-413-004	Nut, ElasticStop 10 -32.....	1

* Not Illustrated



Burner Housing Group

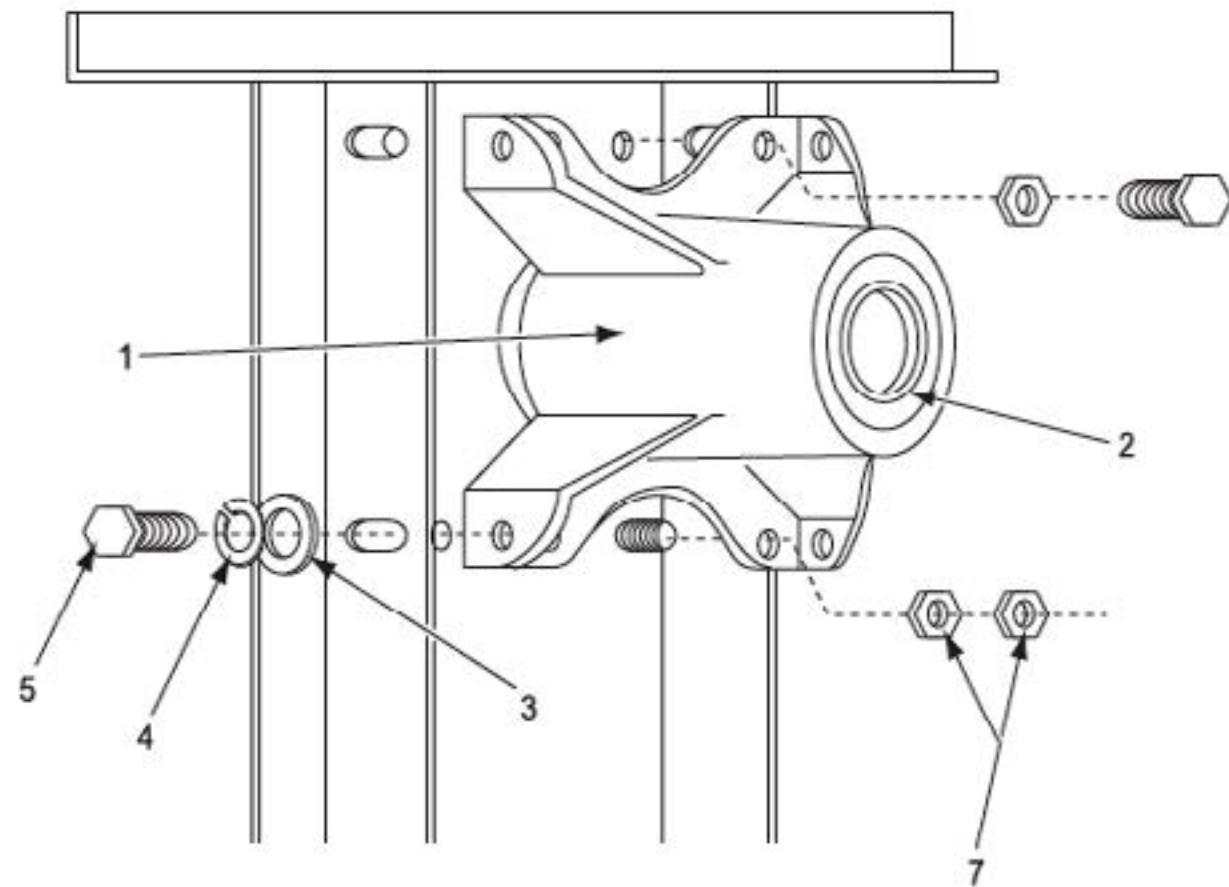
Key	Part Number	Description	Quantity
1	9803-196-001	Housing Assembly, Burner	1
*	9545-008-024	Screw	2
2	9048-018-001	Burner, Main	3
*	9545-008-008	Screw 8B x 1/14"	3
3	9875-002-002	Electrode, Ignition	1
4	9452-645-001	Plate, Electrode Mtg	1
*	9545-008-024	Screw, Electrode Mtg 8B x 10x 3/8"	2
6	9857-134-001	Control Assy, Gas	1
7	9381-010-001	Manifold, Assy 3 port	1
*	9425-069-021	Orifice, Burner-Natural	3
*	9425-069-022	Orifice, Burner-LP	3
8	9576-203-002	Thermostat, Hi-Limit	1
*	9538-142-001	Spacer, Hi-Limit	2
*	9545-045-007	Screw 8B x 3/4"	2
19	9074-234-001	Cover, Hi-Limit Stat	1
*	9545-008-024	Screw 10 B x 3/8"	1
*	9857-116-003	Control, Ignition (Gray Box)	1
*	9545-044-002	Screw 6-32 x 1"	2
*	8640-411-003	Nut, Hex Keps #6-32	2
*	9897-026-001	Terminal Block Power (Inside Control Panel)	1
*	9545-031-004	Screw 6 AB x 5/8"	2
*	9039-915-001	BRACKET, Pipe gas line	1
*	9545-008-003	Screw 6AB x 5/8"	2
21	9631-403-003	Wire Ass'y, High Voltage	1
20	9627-711-001	Harness, Low Voltage Ignition	1
*	9054-045-001	Fuseholder	1
*	8636-018-001	Fuse 1.5 amps	1
*	8711-007-001	Transformer, Control (In rear control box)	1
*	9545-012-009	Screw, #10x1/2"	2
*	9732-102-010	Kit, LP Conversion	1
13	9548-280-001	Support, Front Burner	1
14	9545-008-008	Screw 10T-32 x 1/2"	3
*	9454-738-001	Left side burner housing	1
*	9454-572-001	Right side burner housing	1
9	9379-164-001	Valve, Gas Shut-Off w/ brass union	1
10	9458-020-003	Pipe, Gas Line	1
*	9454-737-001	Front Side Burner Housing	1



Bearing Housing Group

Key	Part Number	Description	Qty
*	9803-189-001	Housing, Bearing Ass'y w one(rear) bearing	1
1	9241-183-003	Housing, Bearing	1
2	9036-159-001	Bearing, Ball-Rear	1
*	9036-159-002	Bearing, Ball-Front	1
3	8641-581-026	Washer, Flat 1/2"	4
4	8641-582-004	Lockwasher spring 1/2"	4
5	9545-017-004	Bolt, 1/2-13x1	4
6	9545-059-003	Screw, 7/16-14x1 1/2	2
*	8641-582-013	Lockwasher, 7/16	2
7	8640-416-001	Nut, 7/16-14.	4

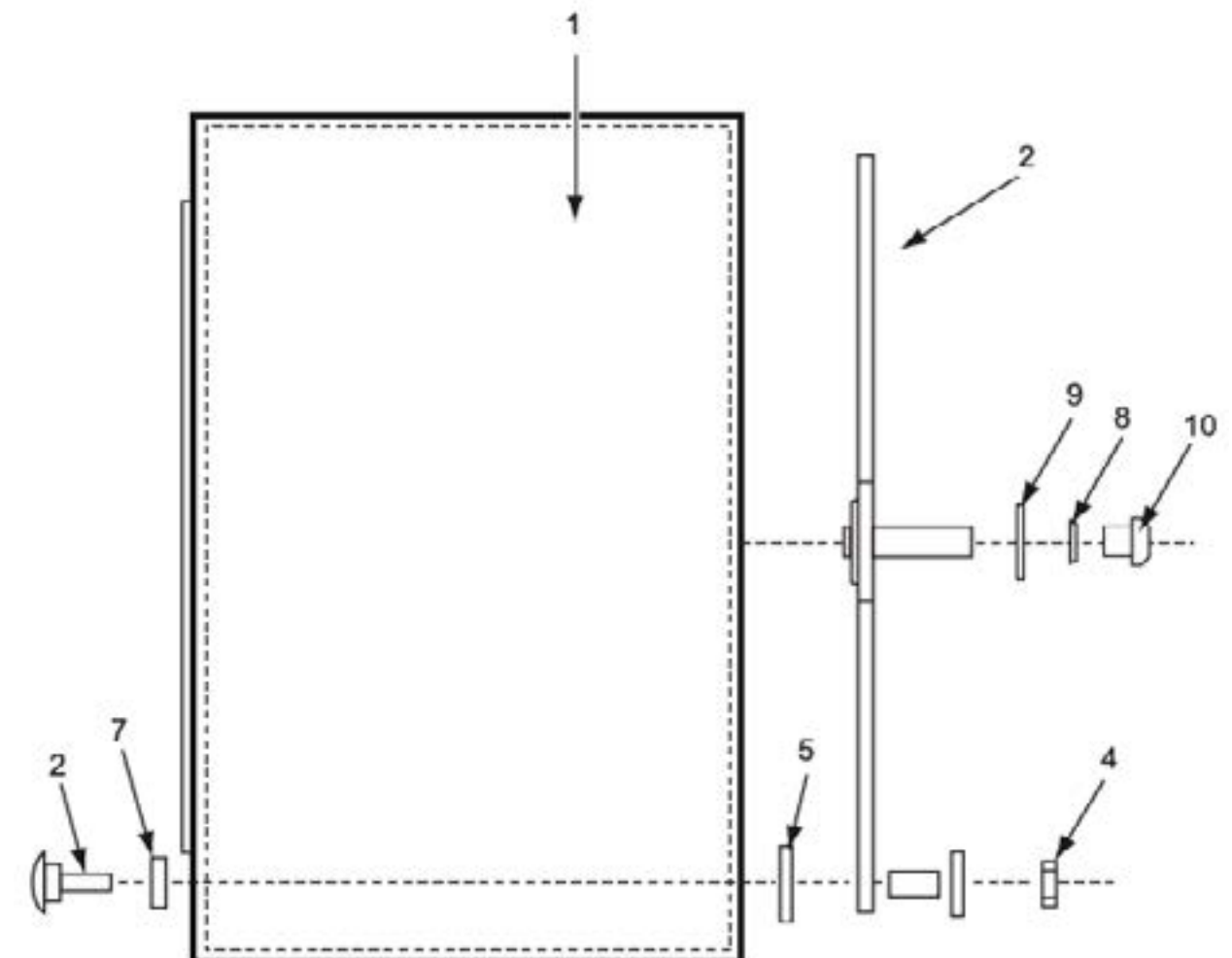
* Not Illustrated



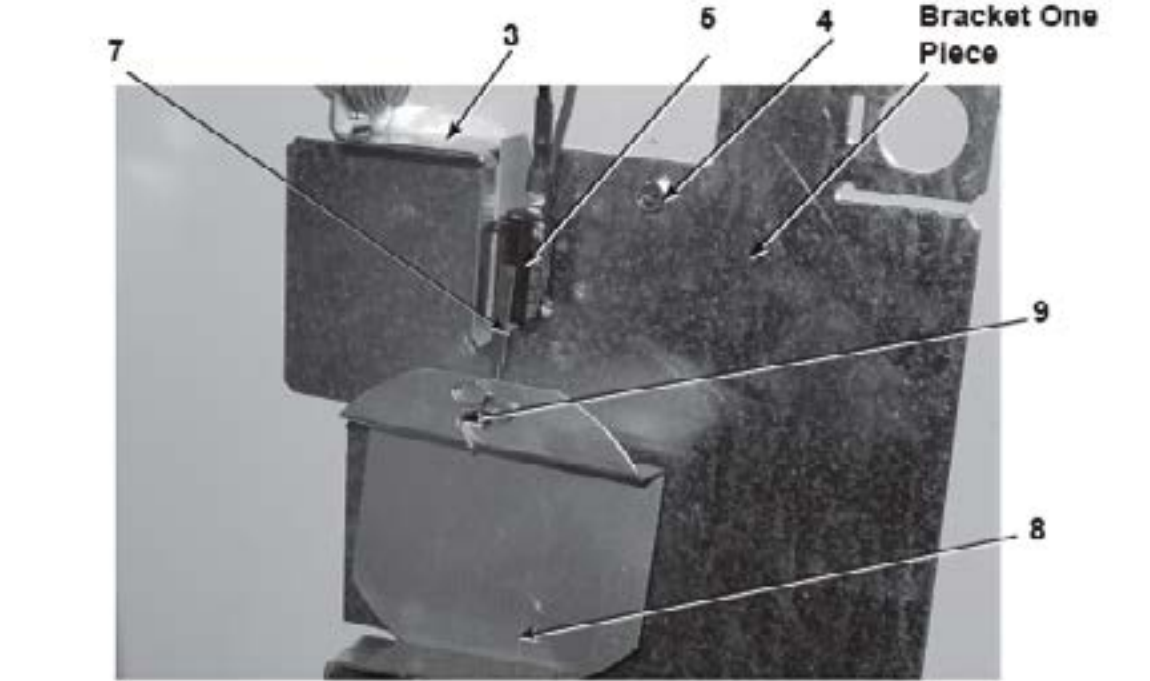
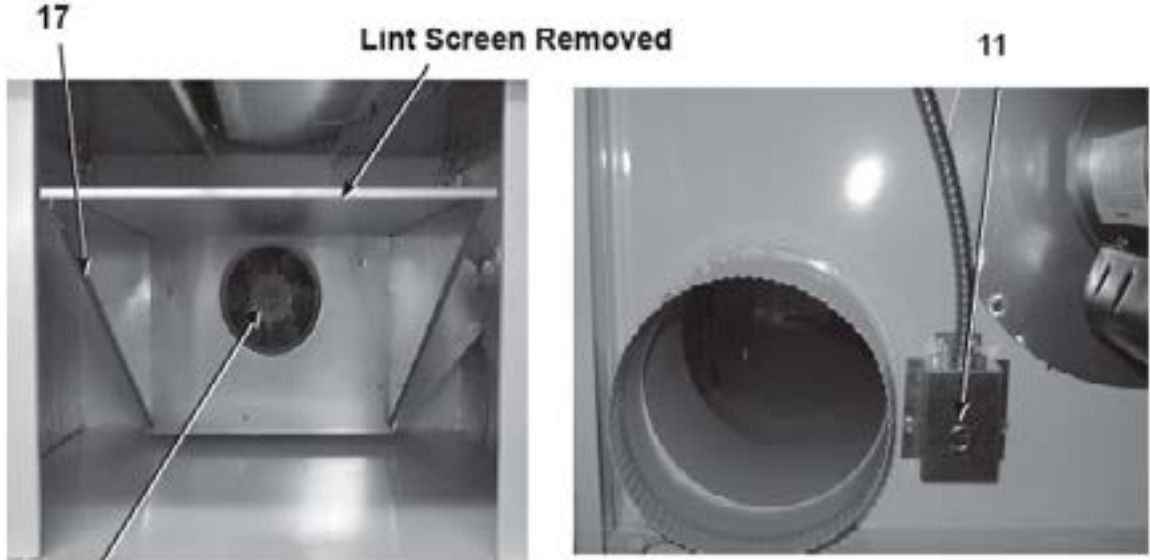
Tumbler Basket Group

Key	Part Number	Description
1	9848-119-001	Tumbler Ass'y
*	9848-119-002	Tumbler Ass'y, SS.....
2	9873-005-001	Spider Ass'y with bearing on.....
3	9497-226-001	Rod, Tumbler
4	8640-417-005	Nut
5	9552-013-000	Shim.....
7	8641-590-001	Washer, Tumbler Rod Special
*	9487-234-001	Ring, Tolerance.....
8	8641-582-016	Lock Washer ext tooth 1/2", Tumbler Shaft
9	8641-581-026	Flat Washer 1/2",Tumbler Shaft.....
10	9545-017-009	Screw, Tumbler Shaft 1/2-13 x 11/4"

* Not Illustrated

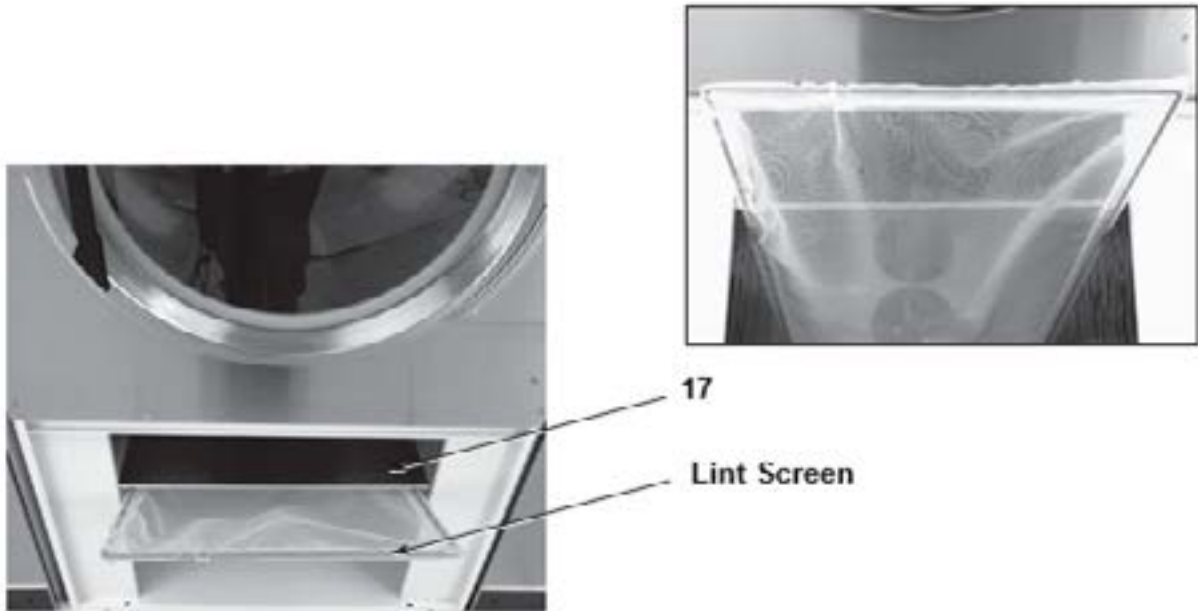


Blower Impeller and Air Flow Switch Group Over Temperature Switch



Key	Part Number	Description	Quantity
2	9029-046-001	Actuator Stop Bracket.....	1
3	9029-135-002	Bracket -Switch One Piece.....	1
4	9545-008-024	Screw-10B x 1/4.....	2
5	9539-461-009	Switch-Micro.....	1
12	9545-020-001	Screw 4-40 x 5/8.....	2
7	8640-401-001	Nut Twin.....	1
8	9008-007-001	Actuator-Switch.....	1
9	9451-169-002	Pin Cotter.....	1
13	9039-575-000	Bracket Conduit.....	1
11	9825-057-002	Over-tempcoverass'y.....	1
*	9576-207-006	Thermostatover-tempMnl.....	1
*	9545-008-024	Screw 10B x 3/8.....	2
*	9486-137-001	Retainer pushon.....	1
*	9535-050-003	Sleeve-Hi-Limitswitcaccess.....	1
*	9550-169-003	Shield for macro switch.....	1
17	9834-010-001	Hood Ass'y, Lint.....	1
*	8640-412-004	Nut, Whizlock.....	6
*	9822-031-002	Lint Screen 34" length (newest style).....	1
10	9278-038-004	Impeller, w/set screws.....	1

* Not Illustrated



Wire & Harness Group

Key	Part Number	Description	Qty
*	8220-001-486	BRN 26".....	1
*	8220-001-499	BLK 26".....	1
*	8220-101-002	BLK 64".....	1
*	8220-101-007	Wire Assembly VIO 54".....	1
*	8220-101-004	Wire Assembly BRN 54".....	1
*	2114-008-000	Bushing Anti Short.....	1
*	8220-001-480	Wire Assembly BLK 45".....	1
*	8220-001-479	Wire Assembly BLU 45".....	1
*	8220-001-461	Wire Assembly WHT 58".....	1
*	8220-062-007	Wire Assembly BLK 74".....	1
*	8220-064-001	Wire Assembly GRY 61".....	1
*	8220-064-012	Wire Assembly RED 61".....	1
*	8220-065-021	Wire Assembly VIO 61".....	1
*	8640-276-003	Wire Nut #73 B ORG.....	1
*	8220-060-001	Wire Assembly GRN 12".....	1
*	8220-103-003	Wire Assembly GRY 64".....	1
*	8220-063-018	Wire Assembly WHT 8".....	1
*	8220-001-230	Wire Assembly BLK/RED 8.5".....	1
*	8220-001-231	Wire Assembly BLK/BLU.....	1
*	8220-001-452	Wire Assembly WHT 12" - 4".....	1
*	8220-001-478	Wire Assembly GRN 7".....	1
*	8220-067-001	Wire Assembly BLK/RED 7 3/4".....	1
*	8220-067-002	Wire Assembly BLK/BLU 7 3/4".....	1
*	8220-001-466	Wire Assembly Yellow 4 7/8".....	1
*	9627-711-001	Low Voltage Harness.....	1
*	9637-403-003	High Voltage Harness.....	1

Label Group

Key	Part Number	Description	Qty
*	8507-256-001	Instructions Uncrating.....	1
*	8514-074-001	Owners Booklet.....	1
*	8507-350-001	Instructions Dry Install / Start-Up.....	1
*	8507-330-001	Instructions TVSS.....	1
*	9345-892-001	Wiring Schematic.....	1
*	9345-891-001	Wiring Diagram.....	1
*	8511-001-002	Label Quality.....	1
*	8502-658-001	Label Fire Hazard.....	1
*	8527-115-001	Label Decal Lighting and Clearance.....	1
*	8502-645-001	Label Instructions.....	1
*	8502-600-001	Label Warning and Notice.....	1

Electric Heated Dryers Electrical Parts All Types of KW DCTD 55H__ 18 FD 240/60/3 24 KW

Key	Part Number	Description	Quantity
*	5192-296-001	Relay.....	1
*	9377-003-001	Variator Coil Supply.....	1
*	5198-213-001	Circuit Breaker 3 Pack.....	2
*	8220-057-016	Wire Assembly Blk.....	3
*	9345-959-001	Schematic.....	1
*	9345-970-001	Diagram.....	1
*	9870-088-004	Heater Elements 12 KW0 240 V.....	2
*	5192-285-004	Relay.....	1
*	8502-711-001	Warning Label 208V.....	1
*	8220-057-004	Wire Brown 30".....	1
*	8220-057-007	Wire White/Black 45".....	1
*	8220-057-008	Wire Black 45".....	1
*	8220-057-011	Wire V10 32".....	1
*	8220-057-015	Wire Black 8".....	6
*	8220-057-019	Wire White 8".....	1
*	8220-061-008	Wire Black 36".....	4
*	8220-061-010	Wire Black 48".....	2
*	8220-078-008	Wire Black 9".....	2
*	8220-078-011	Wire White 45".....	1
*	8220-078-012	Wire Red 45".....	1
*	8502-614-004	Label High Voltage.....	1
*	8502-708-001	Label Exhaust Warning.....	1
*	8514-091-001	Owners Book.....	1
*	9029-127-001	Guard Bracket Mounting.....	1
*	9208-053-001	Guard Front Cabinet Cover.....	1
*	9208-054-001	Guard Rear Cabinet Cover.....	1
*	9074-289-001	Cover Plate Control Box.....	1
*	9210-117-001	Gussett Control Box.....	1
*	9548-282-001	Support Wire.....	2
*	9074-288-001	Cover Plater Heater.....	1
*	9636-151-001	Wrapper Heat Housing RH.....	1
*	9636-152-001	Wrapper Heat Housing LH.....	1
*	9550-181-001	Shield Side Heathousing.....	2
*	9577-056-001	Top Heater Housing Half.....	2
*	9053-067-001	Bushing Insulated 3/4".....	6
*	9577-057-001	Top Box Control.....	1
*	9636-153-001	Wrapper Box Control.....	1
*	9058-025-001	Bottom Box Control.....	1
*	9053-067-004	Bottom Bushing Insulated.....	2
*	9295-004-001	Formed Temper.....	2
*	9295-005-001	Straight Jumper.....	4
*	9488-010-003	Din Rail 4 3/4".....	1
*	9897-037-001	Power Block 3 Pole.....	1
*	9897-038-001	Power Block 1 Pole.....	1
*	9209-087-001	Grommet.....	1
*	8640-399-004	Nut Spring.....	1
*	8640-399-009	Nut Spring U Type.....	4
*	8502-639-001	Label Warning.....	1
*	8502-702-001	Label Warning Fire Hazard (French).....	1
*	8652-134-002	Terminal Lug Solderless.....	1

Electric Heated Parts Model Specific

DCTD 55H__ 16 FC 208/60/3 24 KW

Key	Part Number	Description	Quantity
*	5198-213-002	Circuit Breaker 3 Pole	2
*	5192-296-001	Relay	1
*	8220-057-016	Wire Assembly Blk 8"	3
*	9870-088-005	Heater Elements 12 KW 208 V	2
*	9345-967-001	Schematic	1
*	9348-968-001	Diagram	1

DCTD 55H__ 16 FE 208/60/3 30 KW

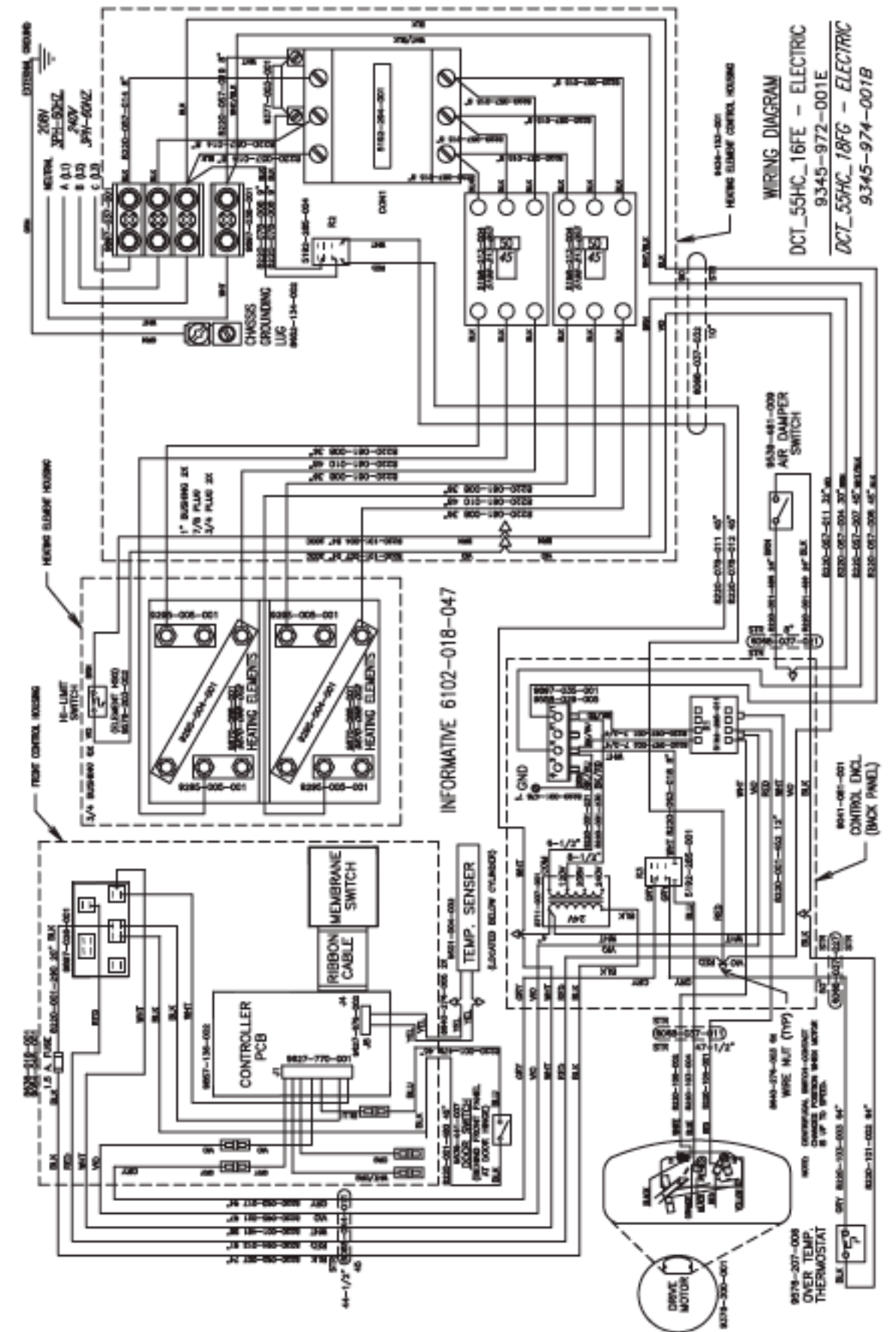
Key	Part Number	Description	Quantity
*	9345-871-001	Schematic	1
*	9345-972-001	Diagram	1
*	5198-213-004	Circuit Breaker 3 Pole	2
*	5192-294-001	Relay 125 amp Resistive Contact	1
*	8220-057-014	Wire Assembly Black 8"	3
*	9870-088-001	Heater Elements 15 KW 208 V	2

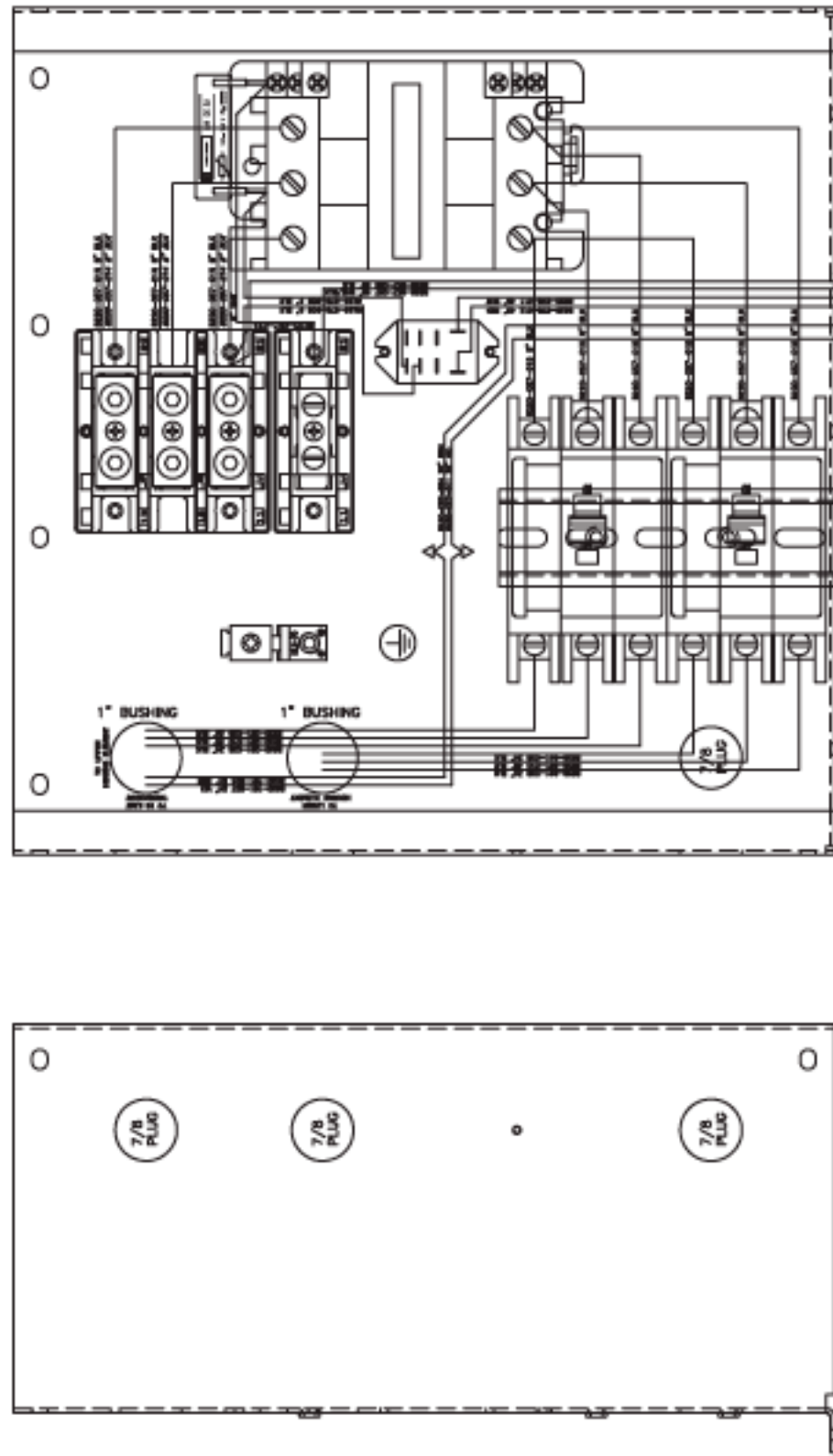
DCTD 55H__ 18 FG 240/60/3 30 KW

Key	Part Number	Description	Quantity
*	5192-294-001	Relay 125 amp resistive contact	1
*	5198-213-003	Circuit Breaker 3 pole	2
*	8220-057-014	Wire Assembly Black 8"	3
*	9345-973-001	Schematic	1
*	9345-974-001	Diagram	1
*	9870-088-002	Heater Element 15KW 240 V	2

Steam Heated Parts Model Specific

Key	Part Number	Description	Quantity
*	9799-021-001	Steam PCB Assembly Micro	1
*	9805-531-001	Lint Screen Assembly Intake	1
*	9506-032-001	Wire Diagram	1
*	9506-031-001	Wire Schematic	1
*	9486-154-001	Retainer Lint Screen Intake	1
*	9488-012-001	Rail Lint Screen Intake	1
*	9379-193-001	Steam Valve Solenoid	1
*	9242-465-001	Braided Steam Hose Stainless	2
*	9181-031-001	Frame Lint Screen Intake	1
*	9090-048-001	Coin Steam Heating	1
*	8514-080-001	Owners Manual	1
*	8502-717-001	Label Lint Screen	1
*	8220-078-017	Wire Assembly White 7"	1
*	8220-078-016	Wire Assembly Red 7"	1
*	8220-075-015	Wire Assembly Black/Yellow 40"	1
*	8220-067-002	Wire Assembly Black/Blue 7 3/4"	2
*	8220-064-002	Wire Assembly White Yellow 40"	1
*	8220-064-037	Wire Assembly Green 40"	1
*	8220-063-010	Wire Assembly Black/Red 7"	1
*	5192-285-004	Relay	1

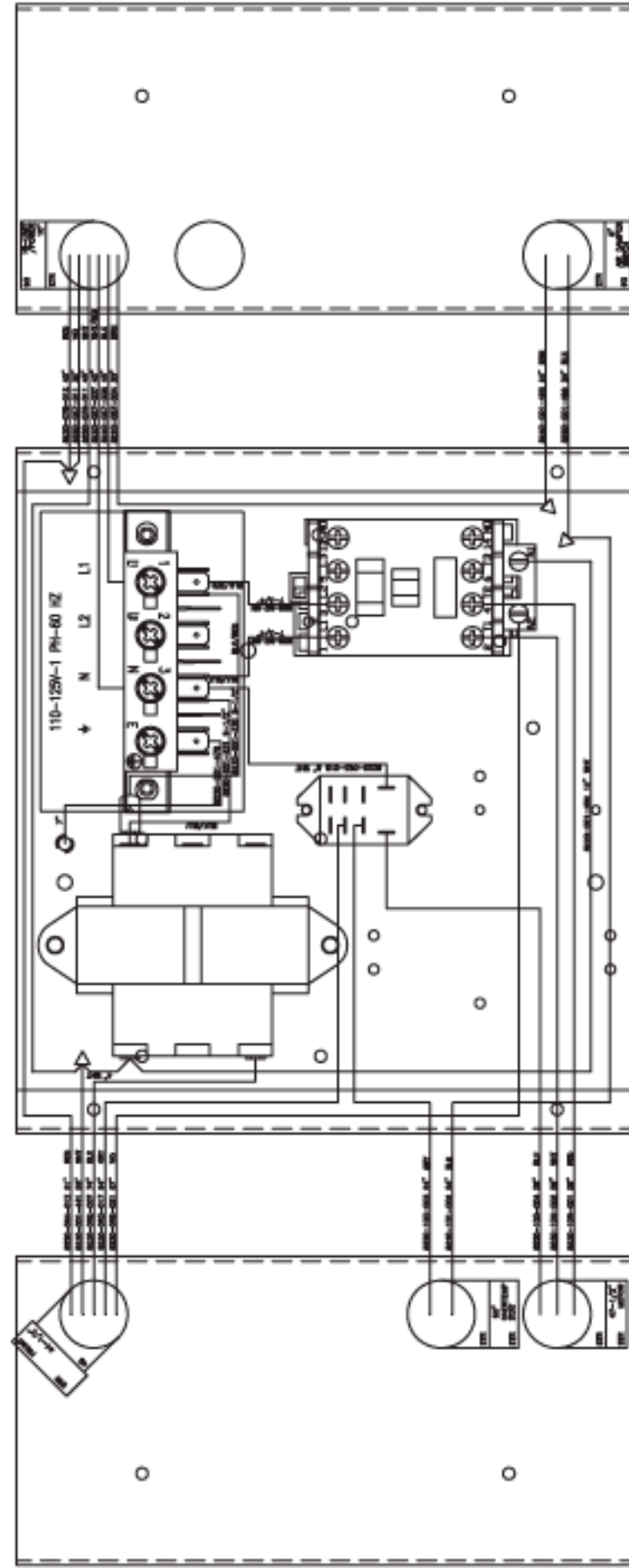




INFORMATIVE 6102-018-058

DCT_55HC_1(6,8)F(C,D) - ELECTRIC

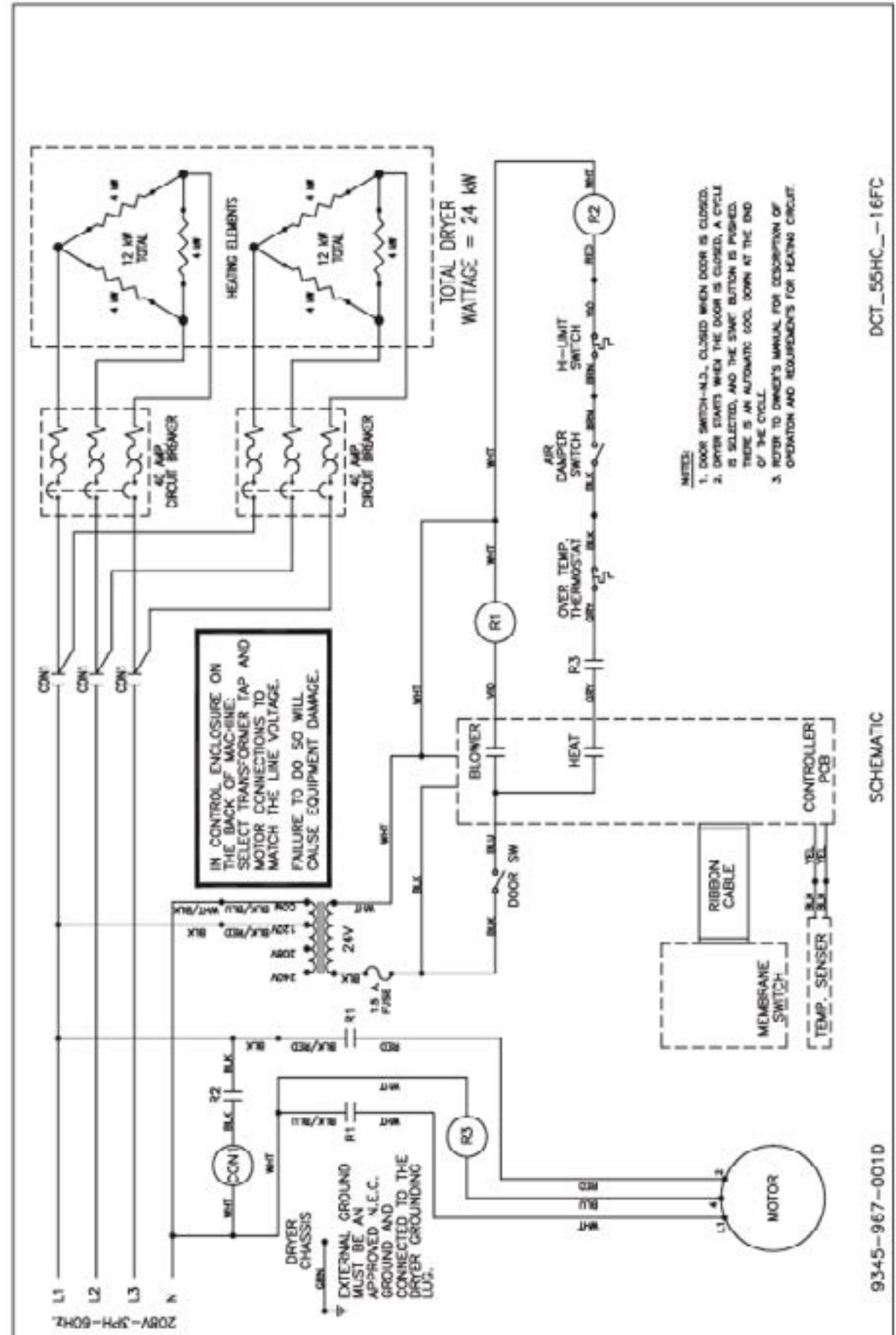
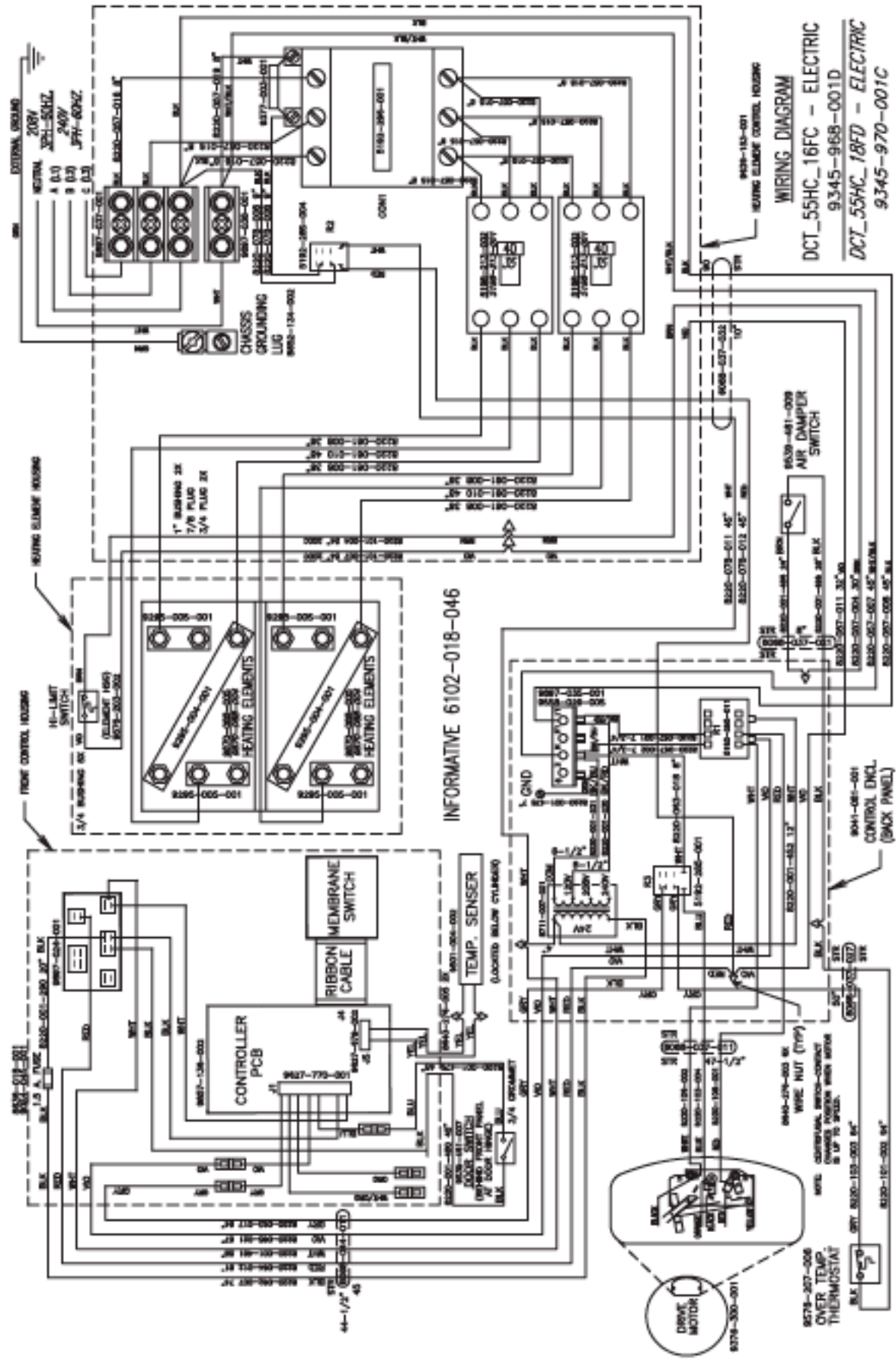
9636-153-001B ELECTRIC BOX DCT_55HC_1(6,8)F(E,G) - ELECTRIC



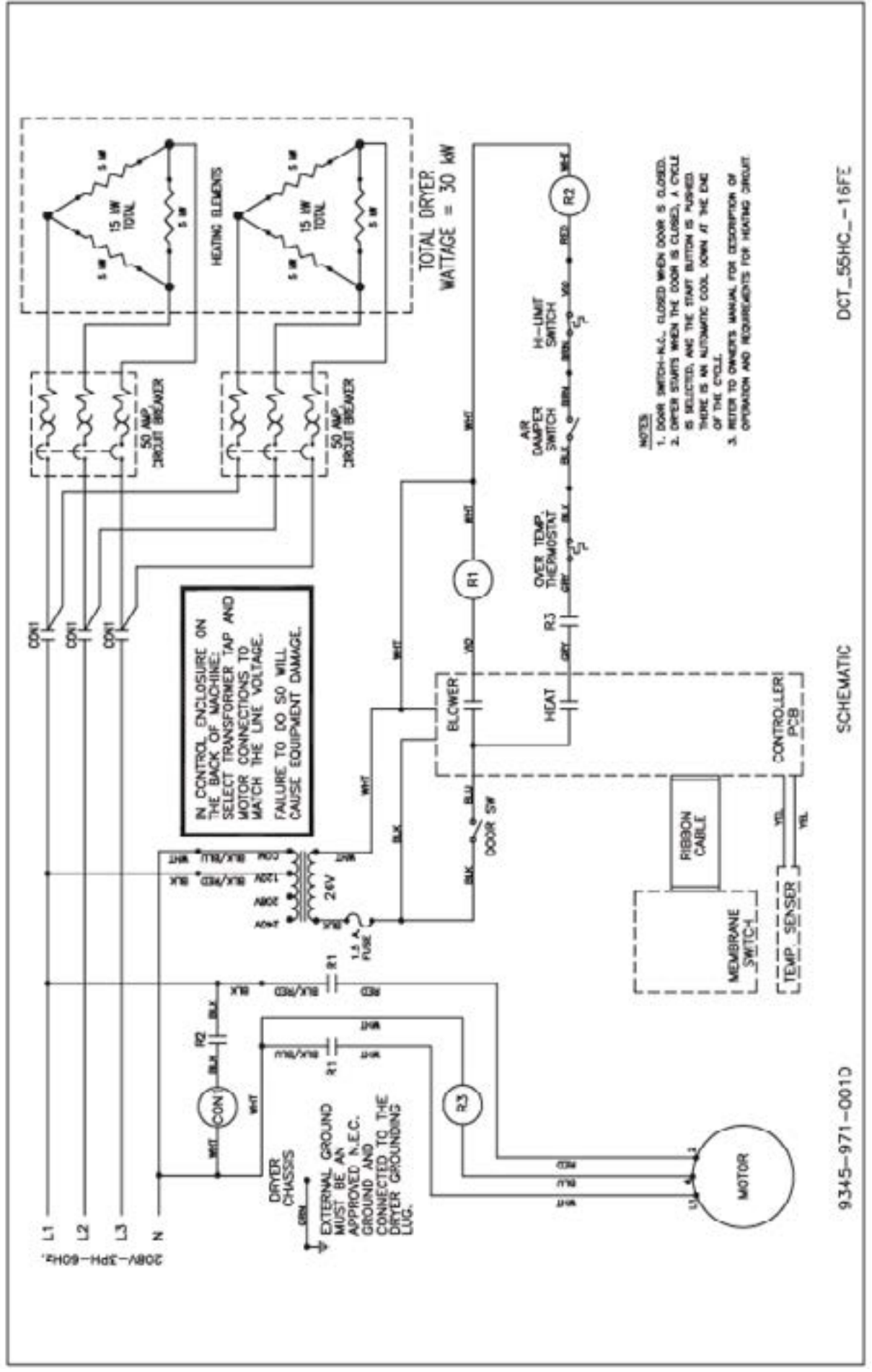
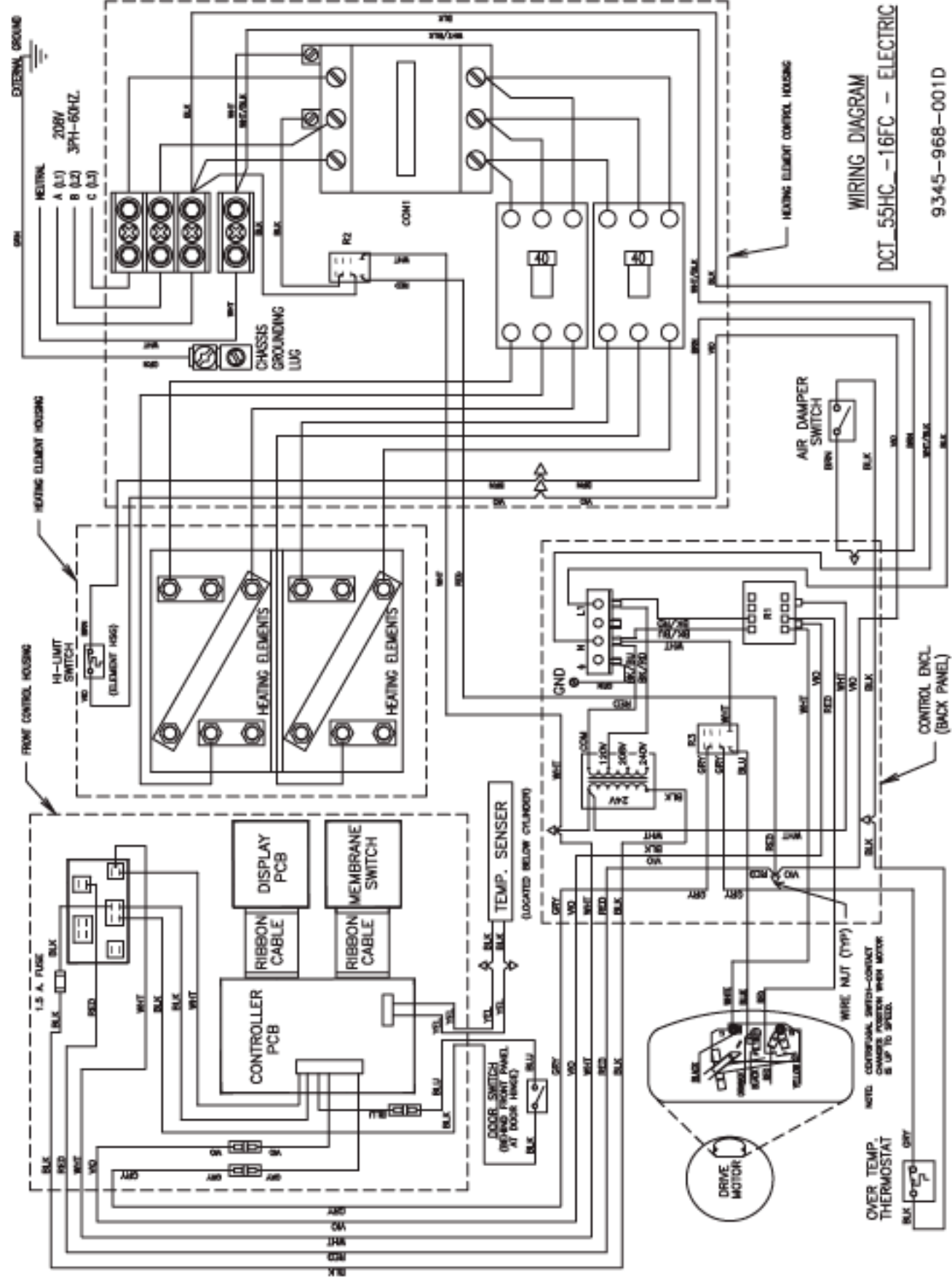
INFORMATIVE 6102-018-057

DCT_55HC_1(6,8)F(C,D) - ELECTRIC

9041-081-001H SAMPLE BOX DCT_55HC_1(6,8)F(E,G) - ELECTRIC

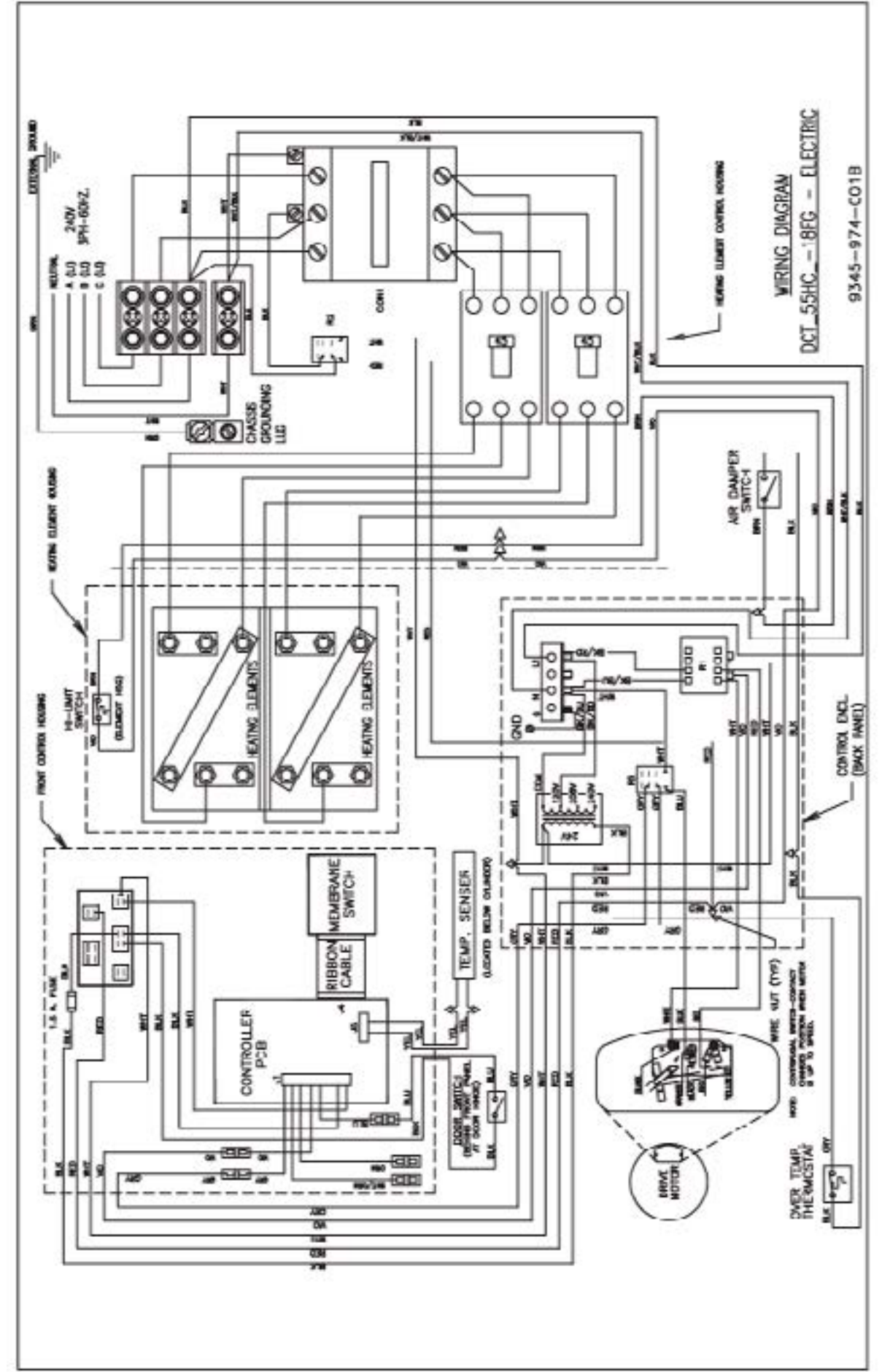
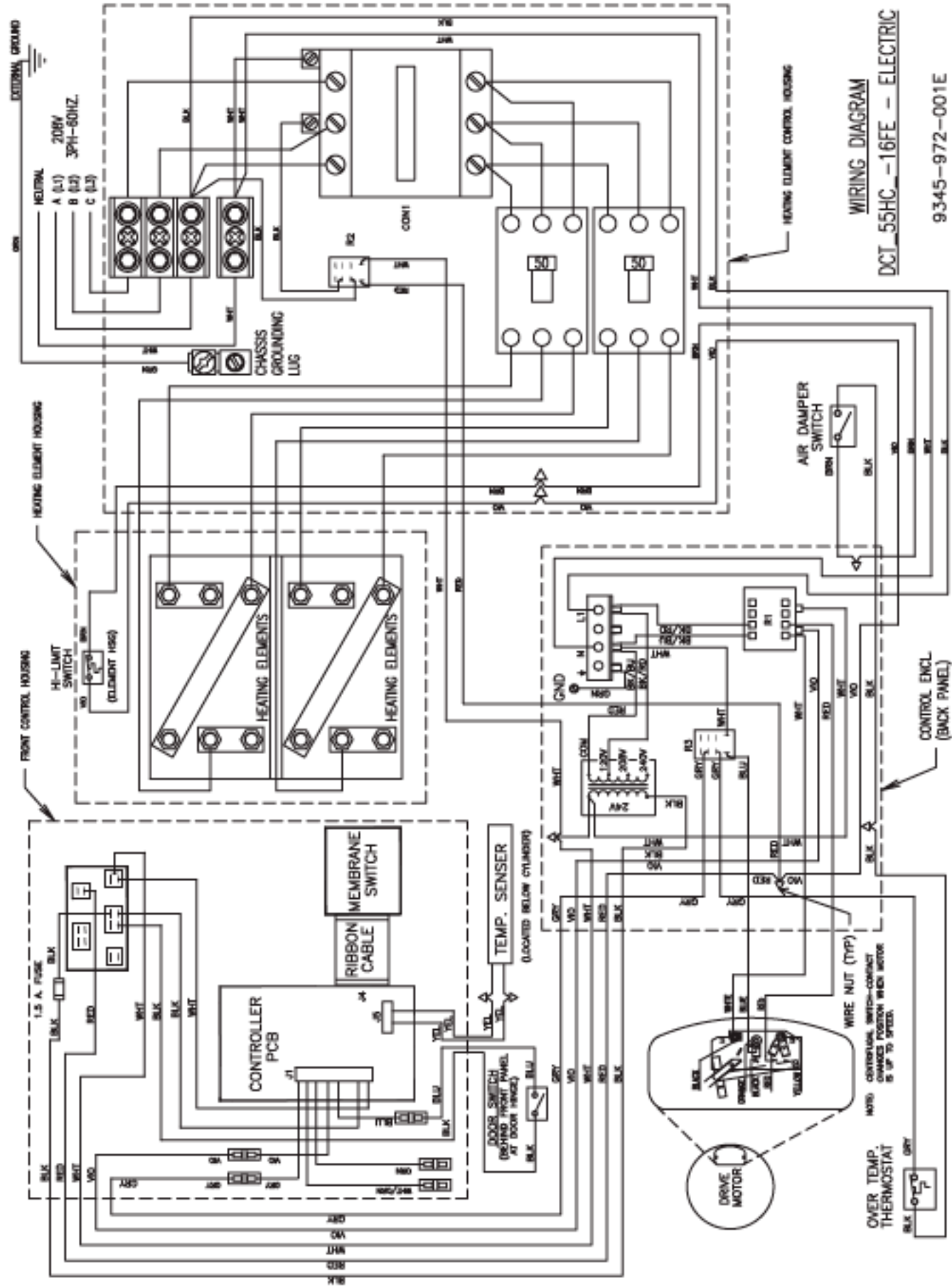


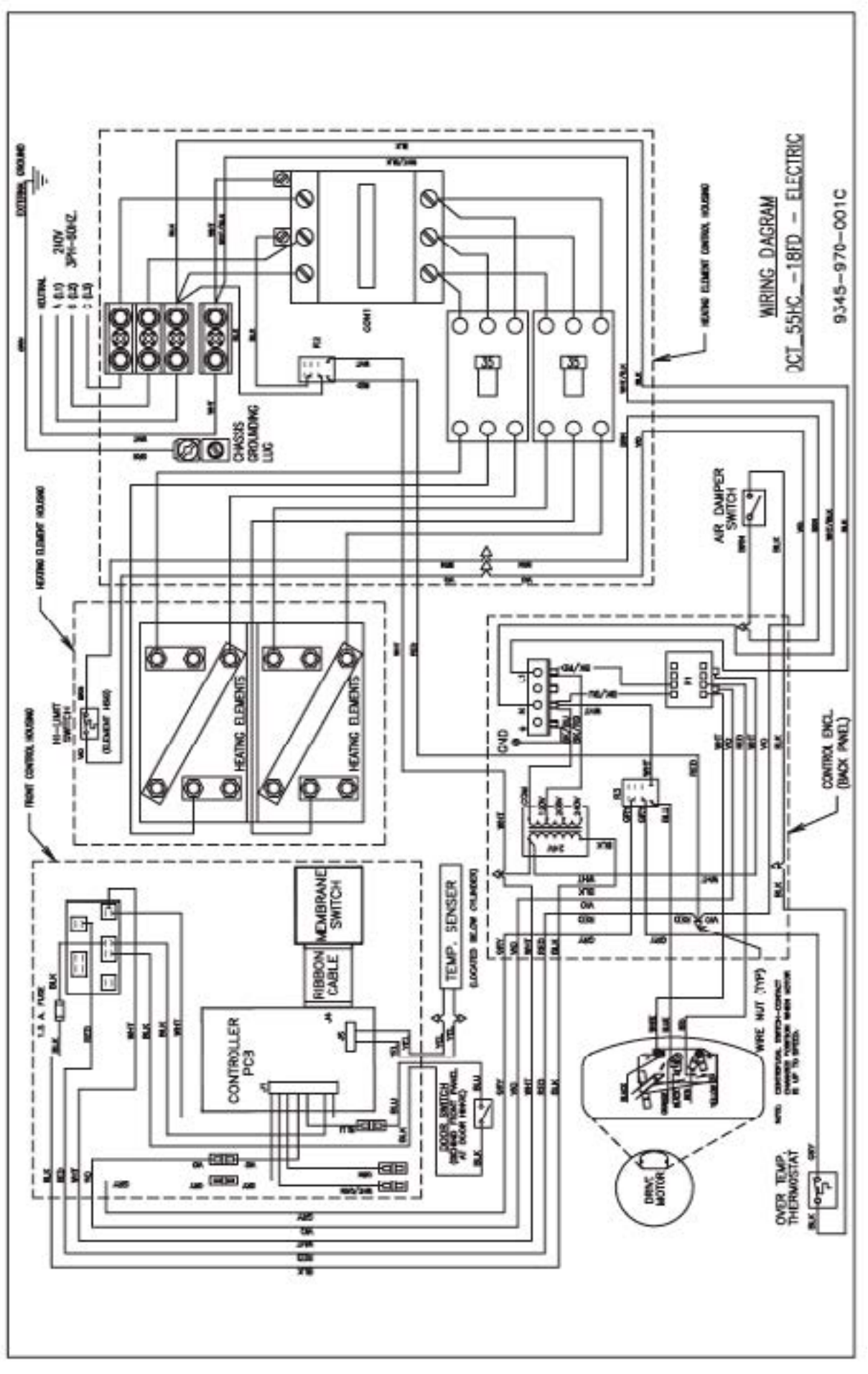
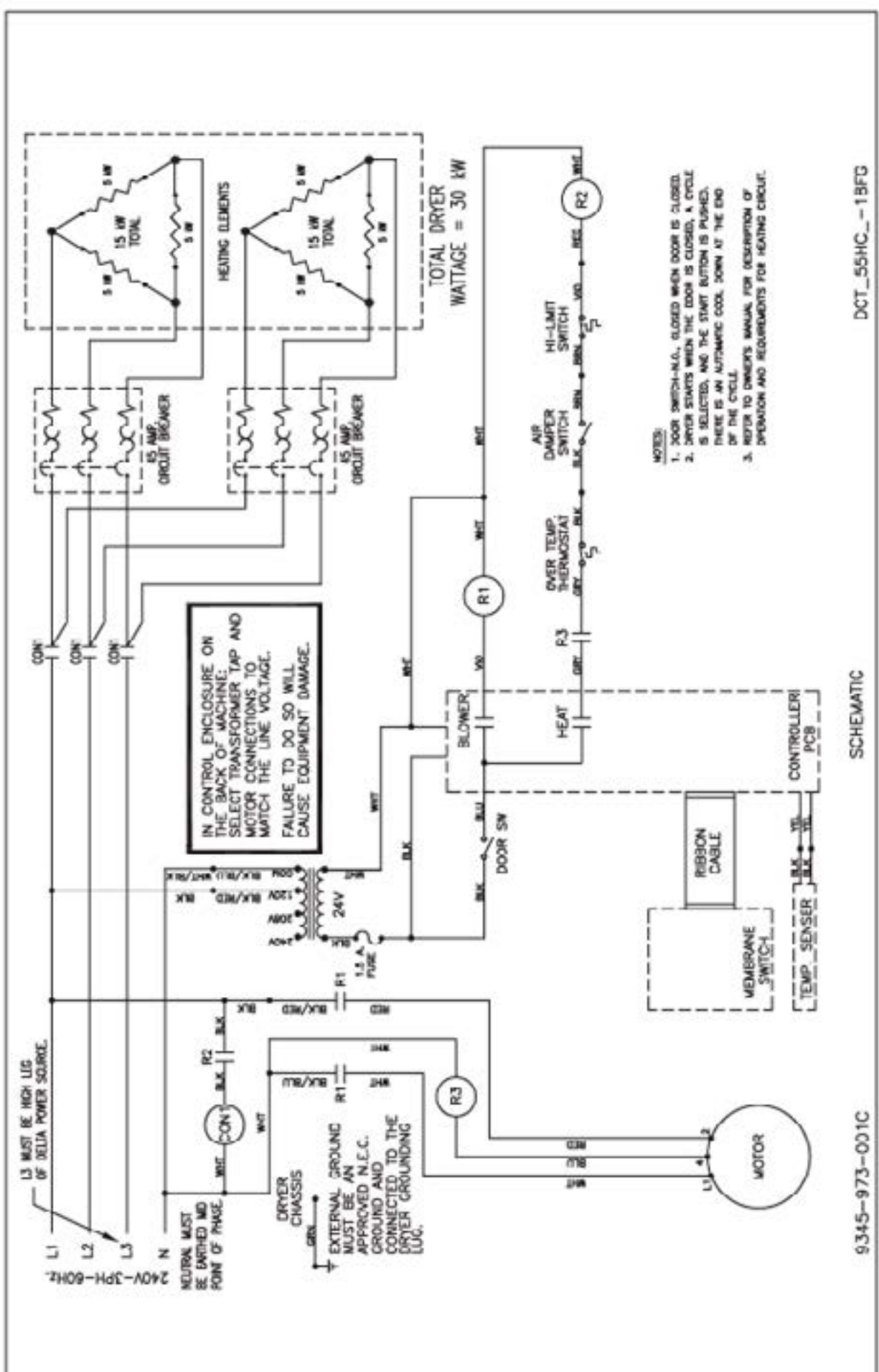
- NOTES:
1. DOOR SWITCH-N.C., CLOSED WHEN DOOR IS CLOSED.
 2. DRYER STARTS WHEN THE DOOR IS CLOSED, A CYCLE IS SELECTED, AND THE START BUTTON IS PUSHED. THERE IS AN AUTOMATIC COOL DOWN AT THE END OF THE CYCLE.
 3. REFER TO DRYER'S MANUAL FOR DESCRIPTION OF OPERATION AND REQUIREMENTS FOR HEATING CIRCUIT.

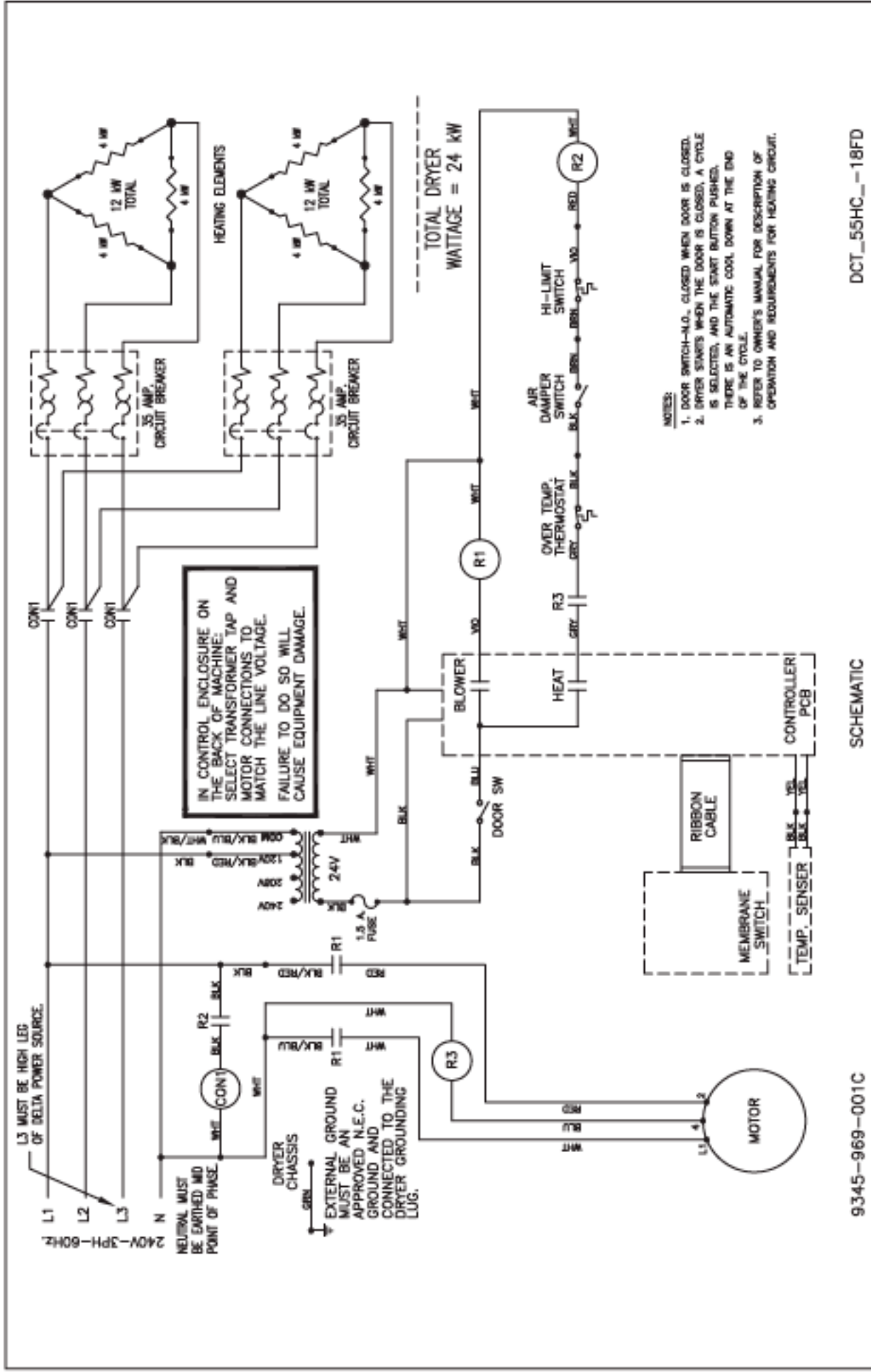


- NOTES
1. DOOR SWITCH-N.L.C. CLOSED WHEN DOOR IS CLOSED.
 2. DRYER STARTS WHEN THE DOOR IS CLOSED, A CYCLE IS SELECTED, AND THE START BUTTON IS PUSHED. THERE IS AN AUTOMATIC COOL DOWN AT THE END OF THE CYCLE.
 3. REFER TO OWNER'S MANUAL FOR DESCRIPTION OF OPERATION AND REQUIREMENTS FOR HEATING CIRCUIT.

IN CONTROL ENCLOSURE ON THE BACK OF MACHINE: SELECT TRANSFORMER TAP AND MOTOR CONNECTIONS TO MATCH THE LINE VOLTAGE. FAILURE TO DO SO WILL CAUSE EQUIPMENT DAMAGE.



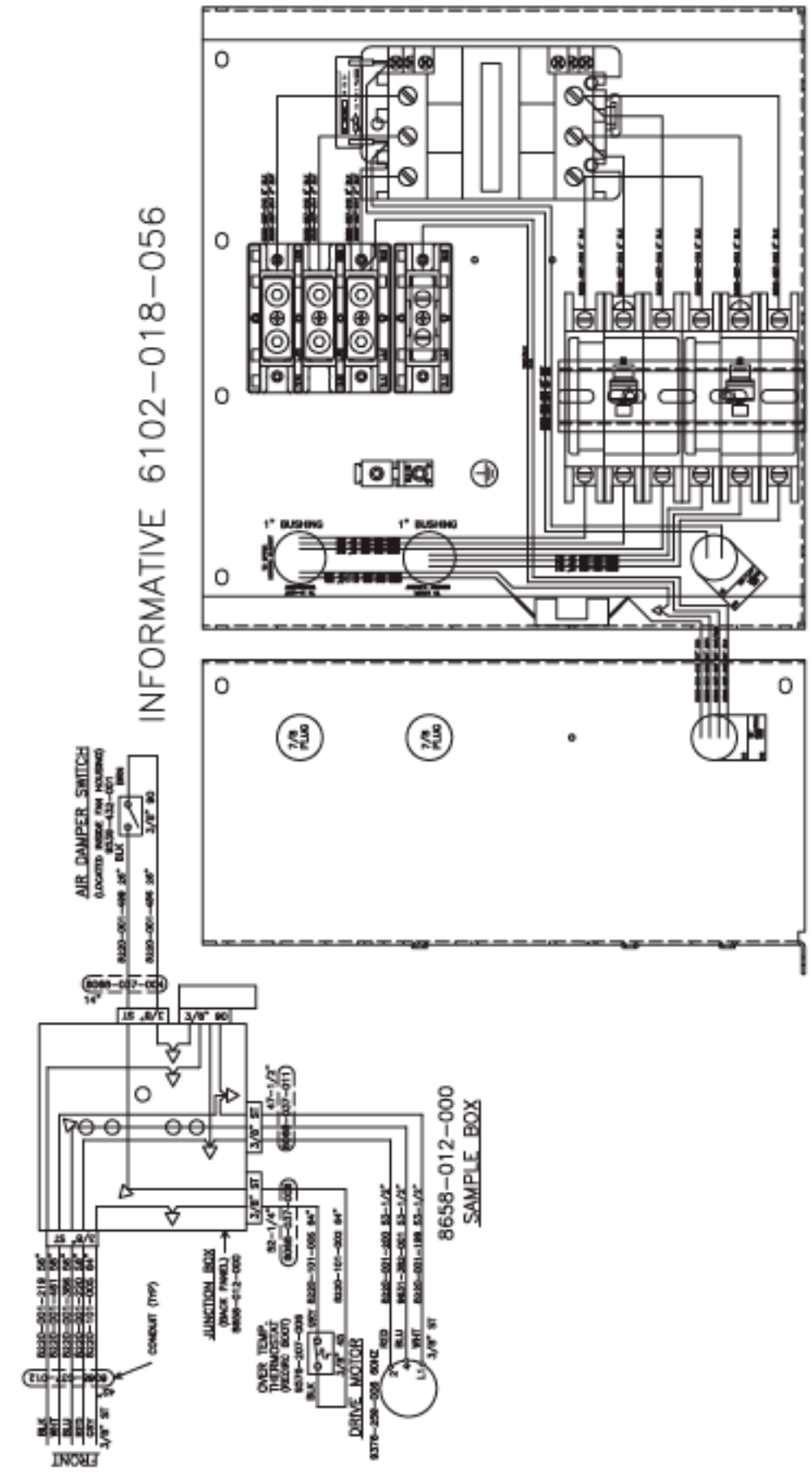




9345-969-001C

SCHEMATIC

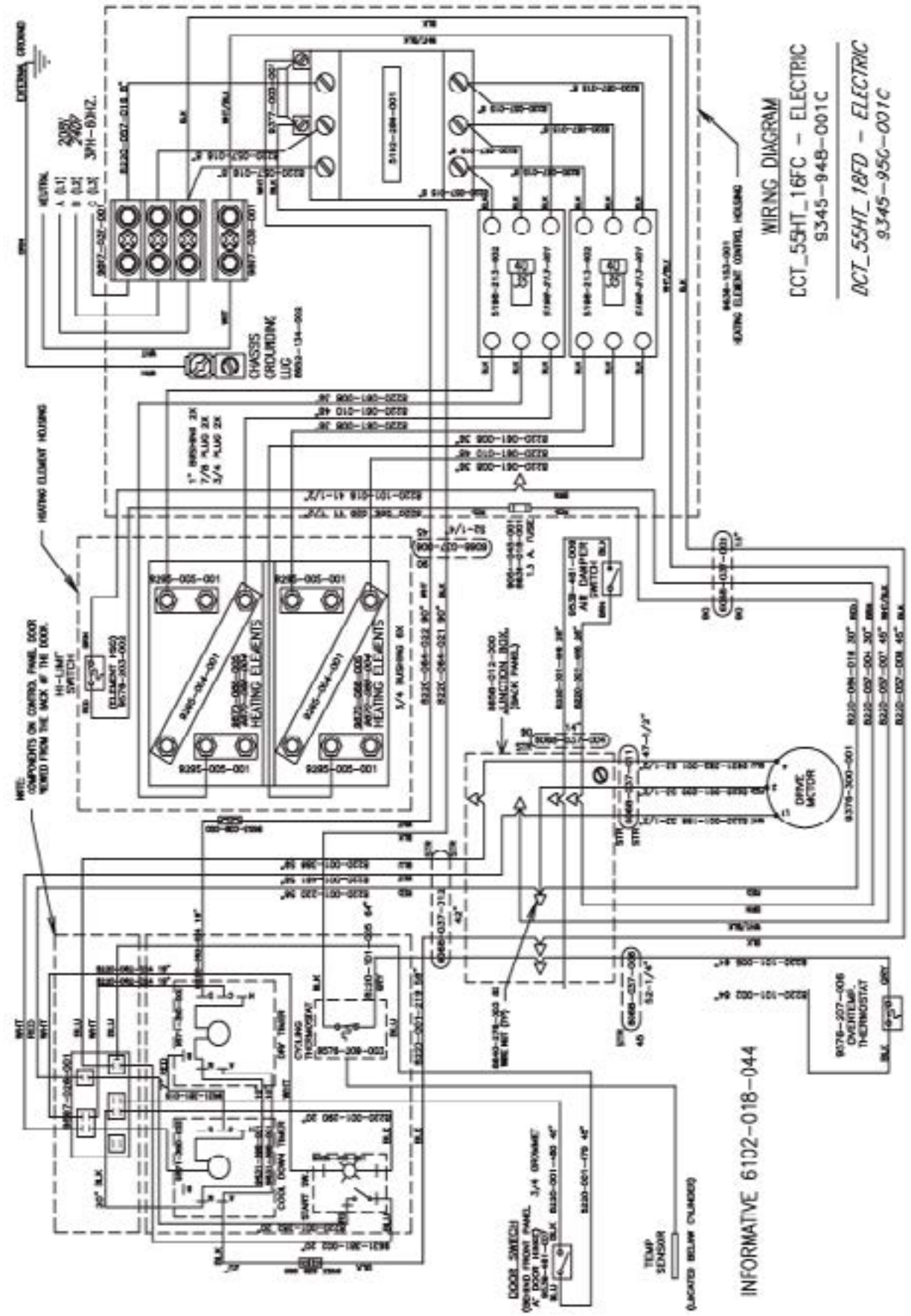
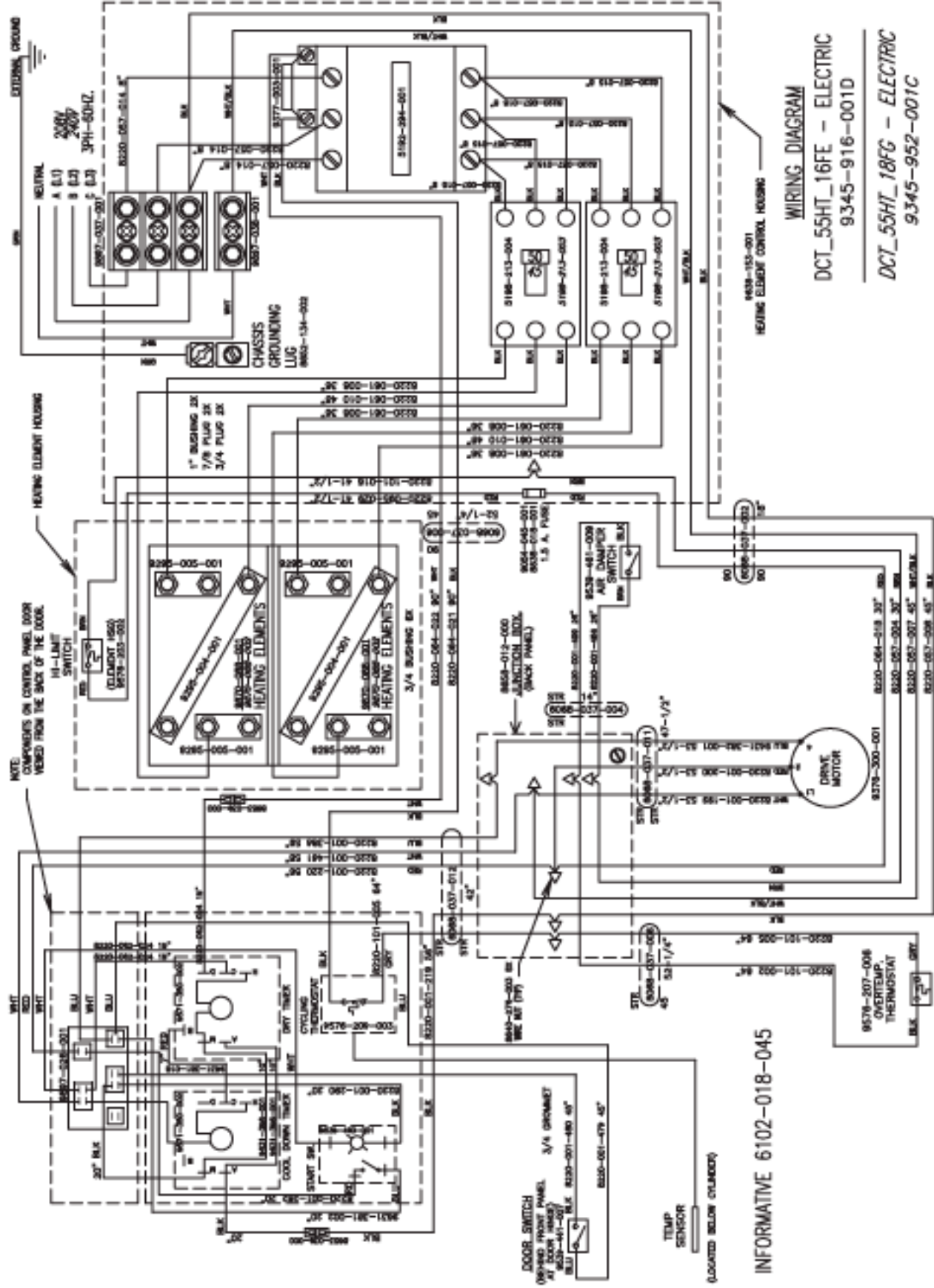
DCT_55HC_-18FD

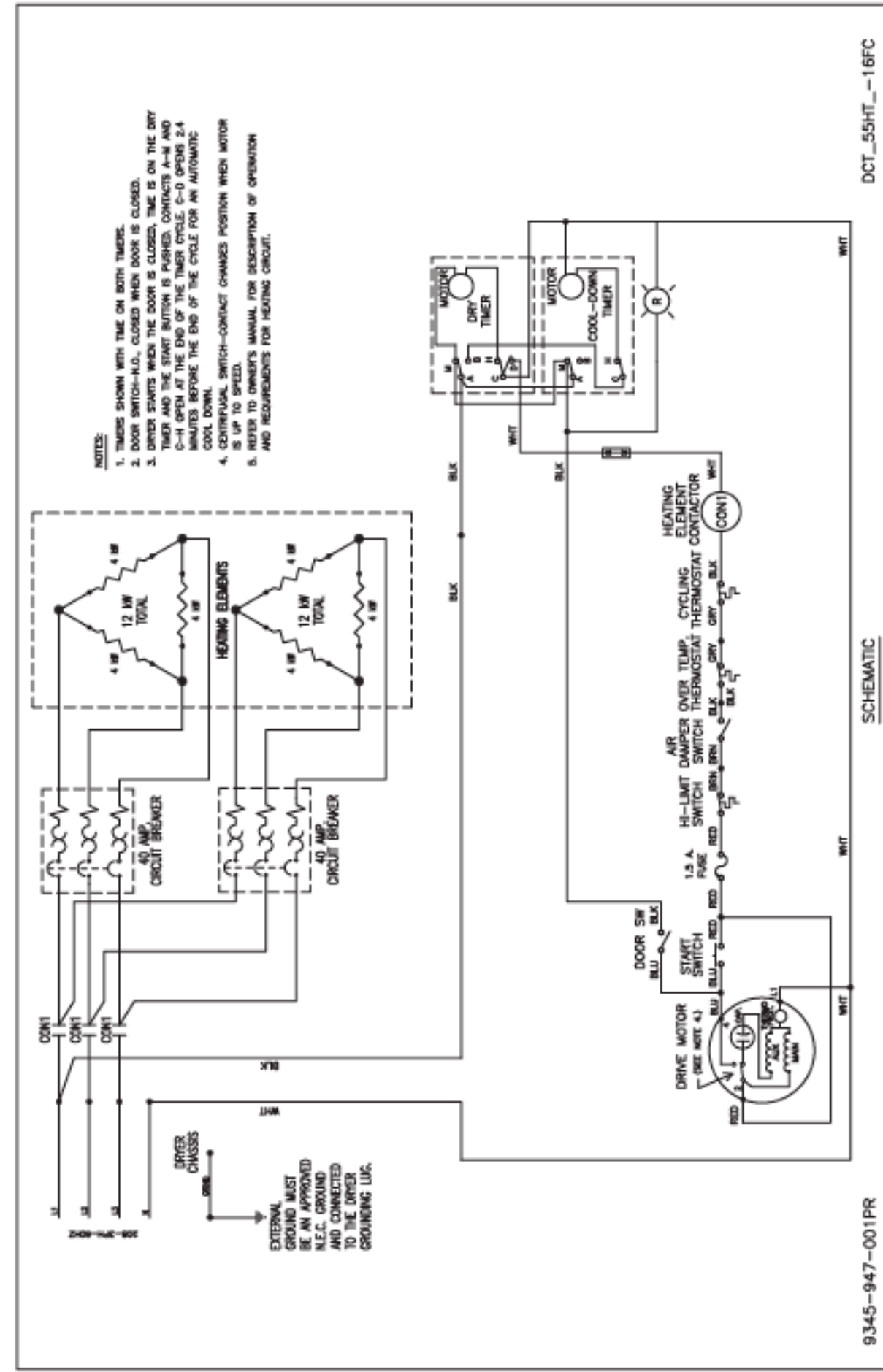
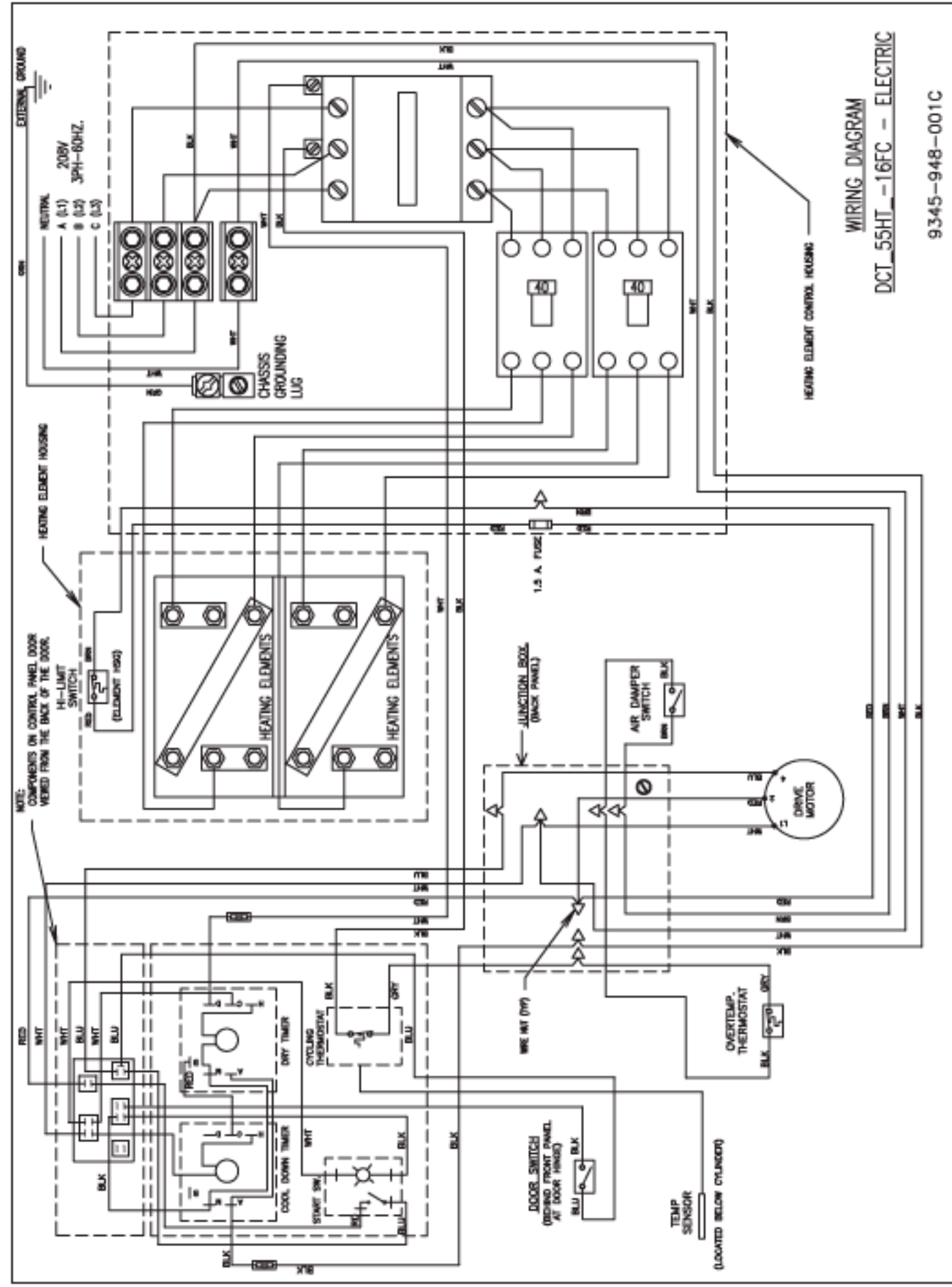


9636-153-001B ELECTRIC BOX

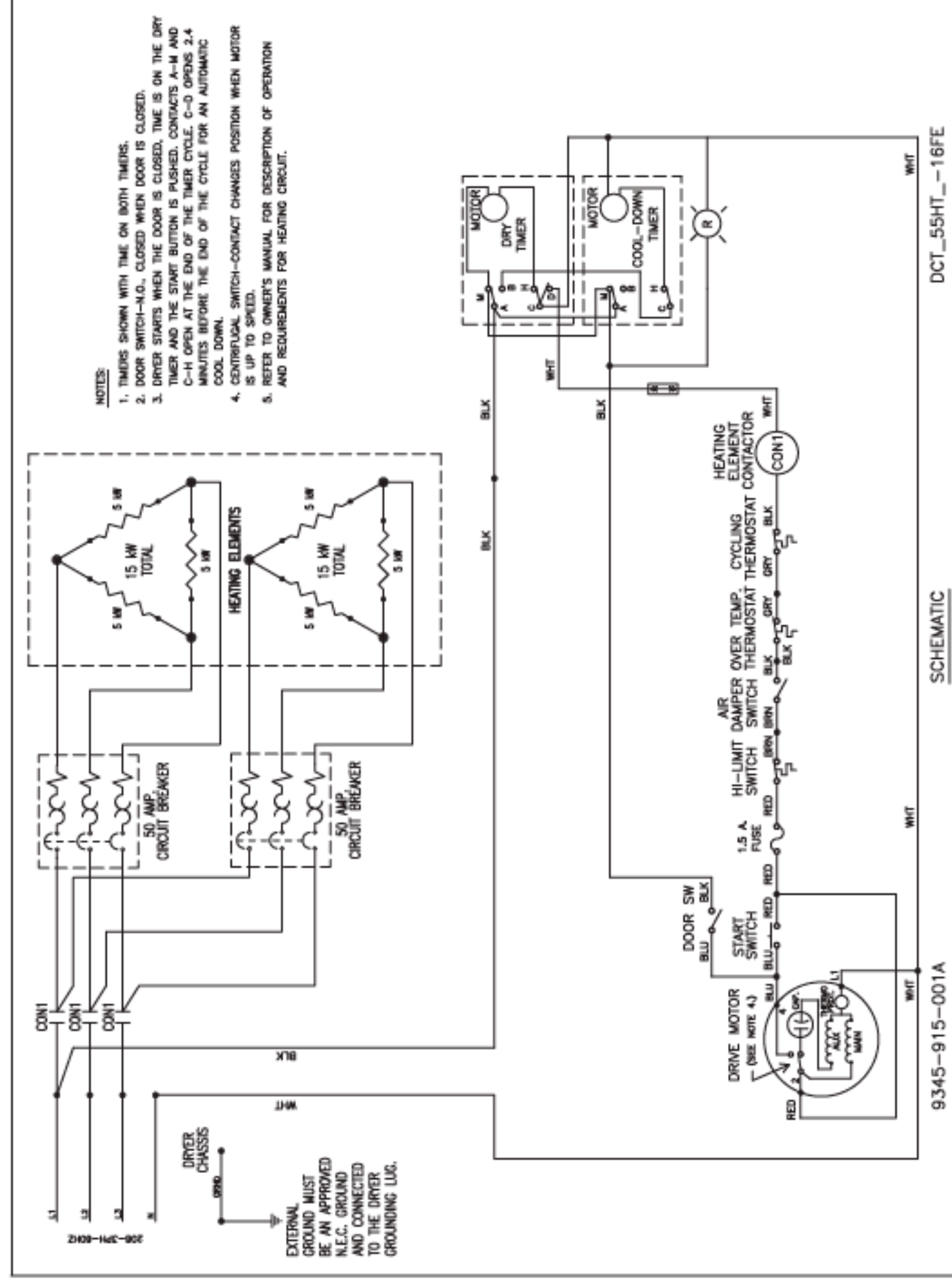
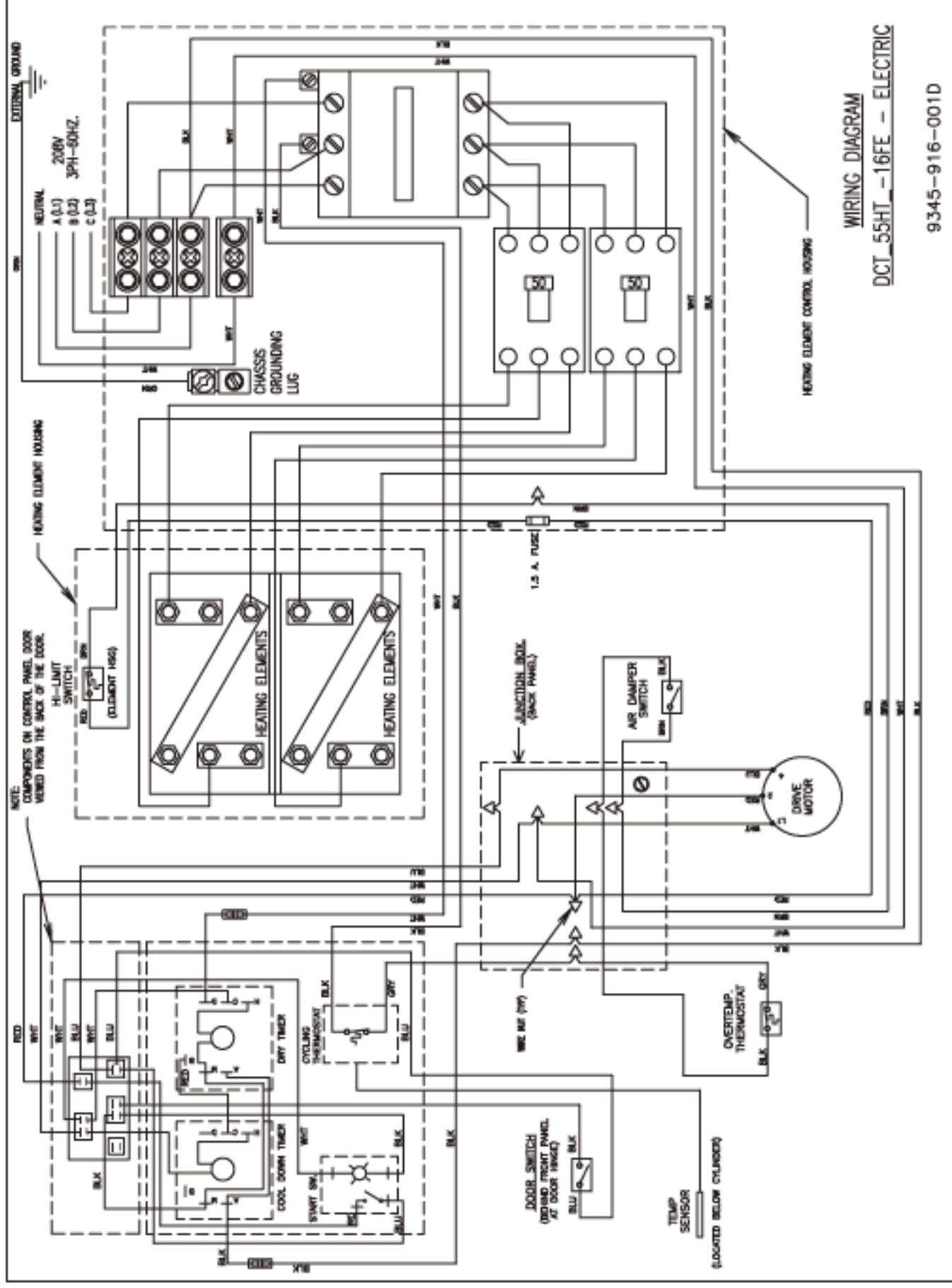
DCT_55HT_1(6,8)F(C,D) - ELECTRIC

DCT_55HT_1(6,8)F(E,G) - ELECTRIC





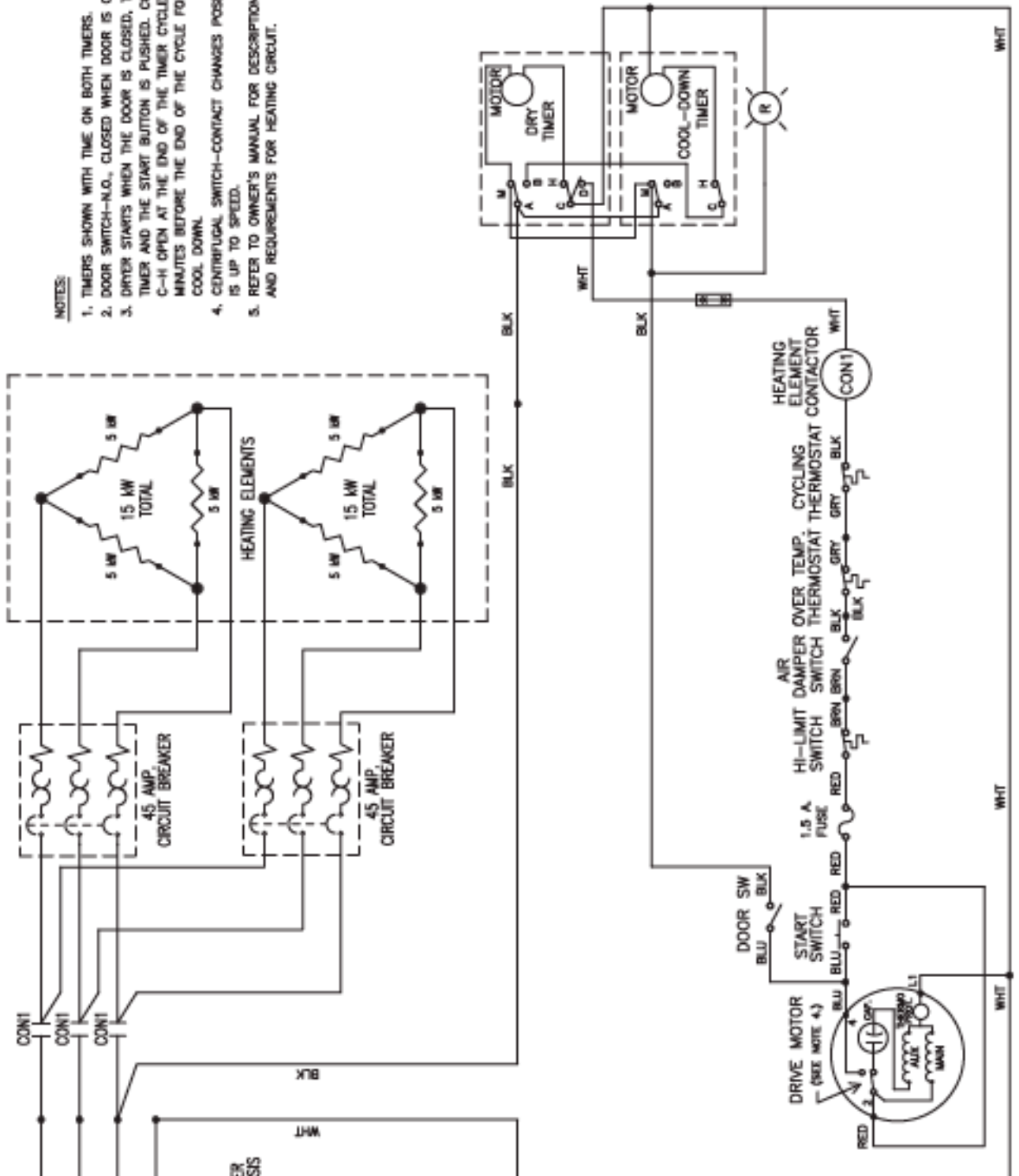
- NOTES:
1. TIMERS SHOWN WITH TIME ON BOTH TIMERS.
 2. DOOR SWITCH-N.O., CLOSED WHEN DOOR IS CLOSED.
 3. DRYER STARTS WHEN THE DOOR IS CLOSED, TIME IS ON THE DRY TIMER AND THE START BUTTON IS PUSHED. CONTACTS A-M AND C-H OPEN AT THE END OF THE TIMER CYCLE. C-D OPENS 2.4 MINUTES BEFORE THE END OF THE CYCLE FOR AN AUTOMATIC COOL DOWN.
 4. CENTRIFUGAL SWITCH-CONTACT CHANGES POSITION WHEN MOTOR IS UP TO SPEED.
 5. REFER TO OWNER'S MANUAL FOR DESCRIPTION OF OPERATION AND REQUIREMENTS FOR HEATING CIRCUIT.



L3 MUST BE HIGH LEG OF DELTA POWER SOURCE.

NEUTRAL MUST BE EARTHED MID POINT OF PHASE.

EXTERNAL GROUND MUST BE AN APPROVED N.E.C. GROUND AND CONNECTED TO THE DRYER GROUNDING LUG.

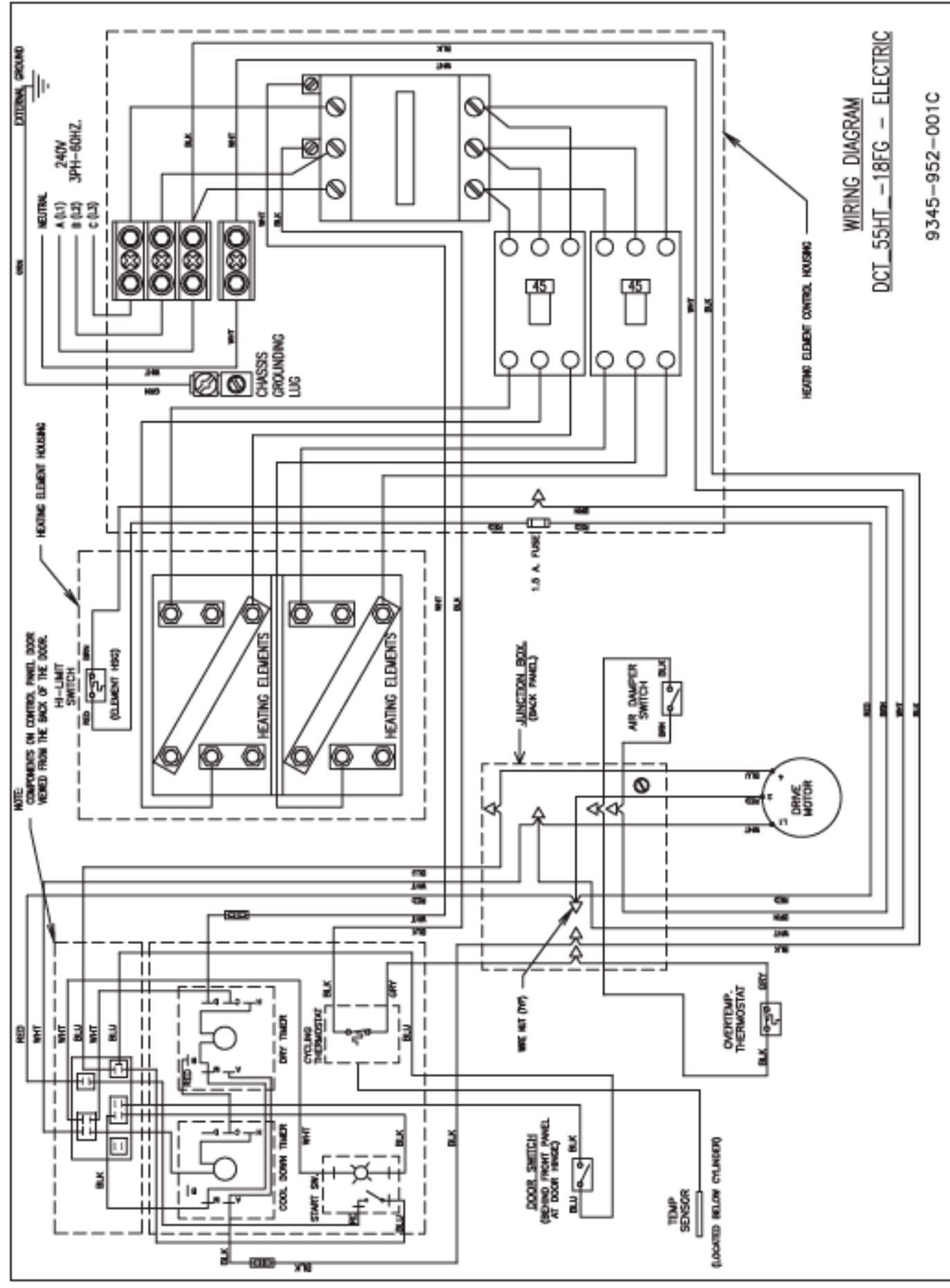


- NOTES:
1. TIMERS SHOWN WITH TIME ON BOTH TIMERS.
 2. DOOR SWITCH-N.O., CLOSED WHEN DOOR IS CLOSED.
 3. DRYER STARTS WHEN THE DOOR IS CLOSED, TIME IS ON THE DRY TIMER AND THE START BUTTON IS PUSHED. CONTACTS A-M AND C-H OPEN AT THE END OF THE TIMER CYCLE. C-D OPENS 2-4 MINUTES BEFORE THE END OF THE CYCLE FOR AN AUTOMATIC COOL DOWN.
 4. CENTRIFUGAL SWITCH-CONTACT CHANGES POSITION WHEN MOTOR IS UP TO SPEED.
 5. REFER TO OWNER'S MANUAL FOR DESCRIPTION OF OPERATION AND REQUIREMENTS FOR HEATING CIRCUIT.

DCT_55HT_-18FG

SCHEMATIC

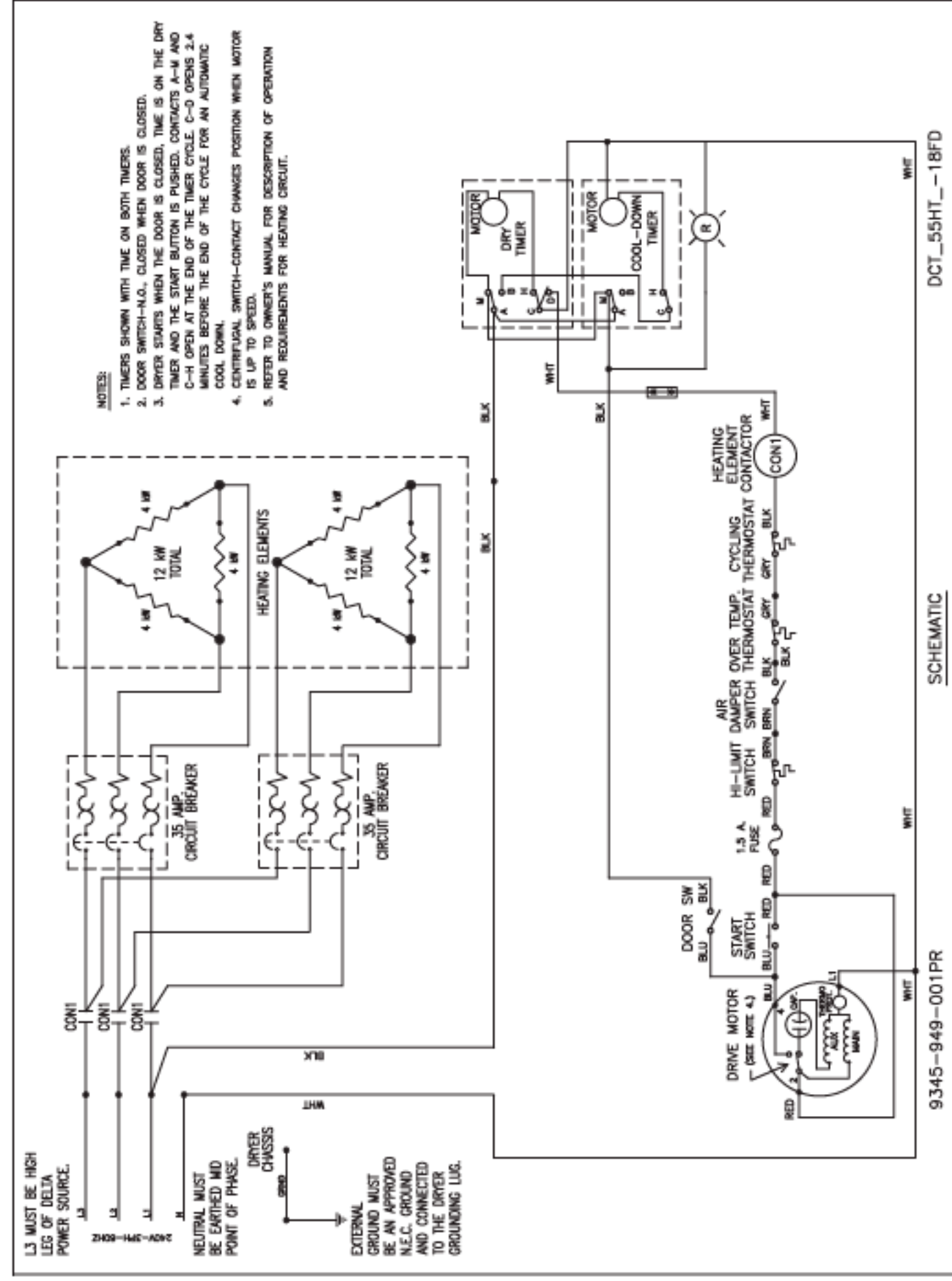
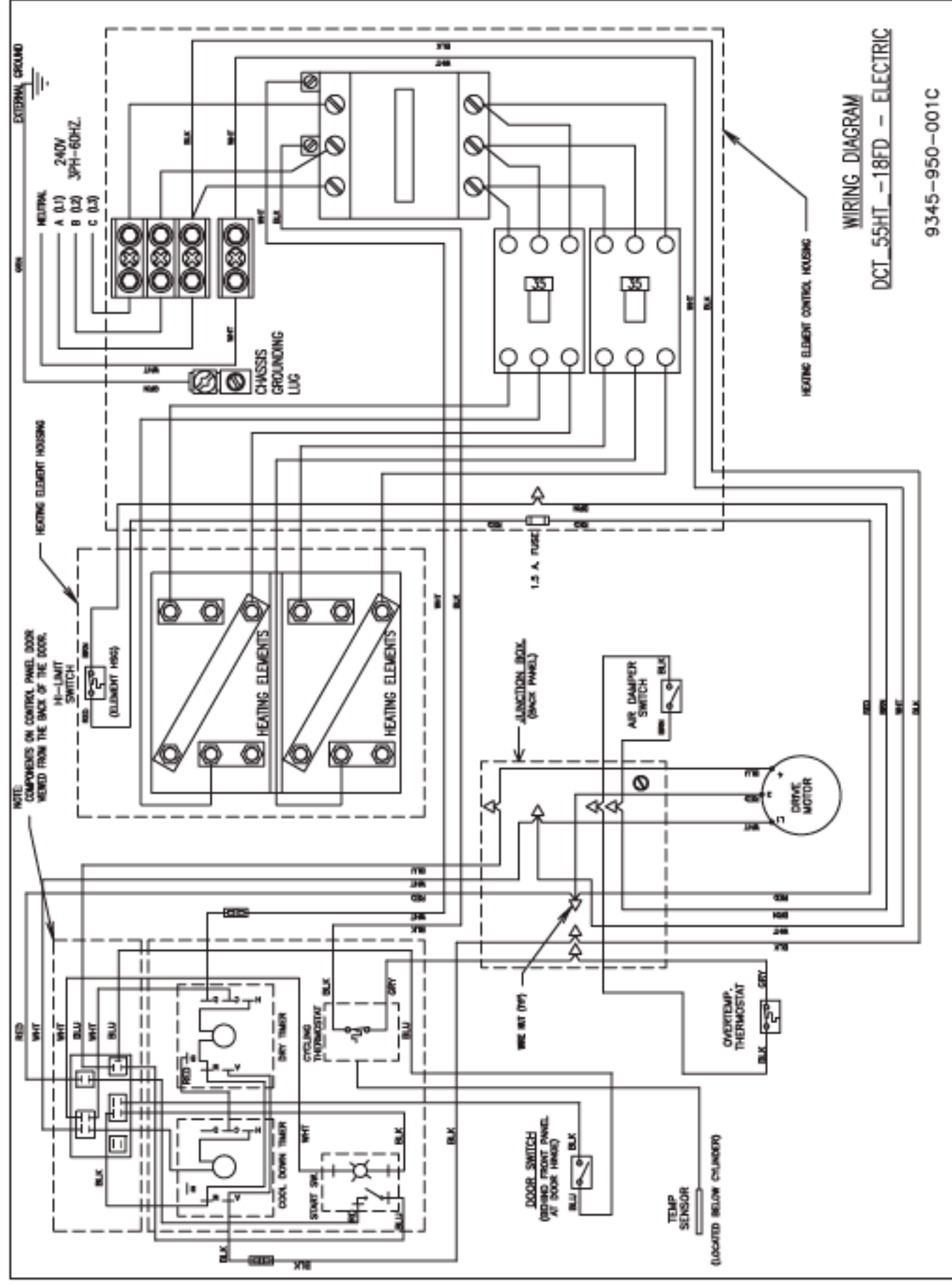
9345-951-001PR

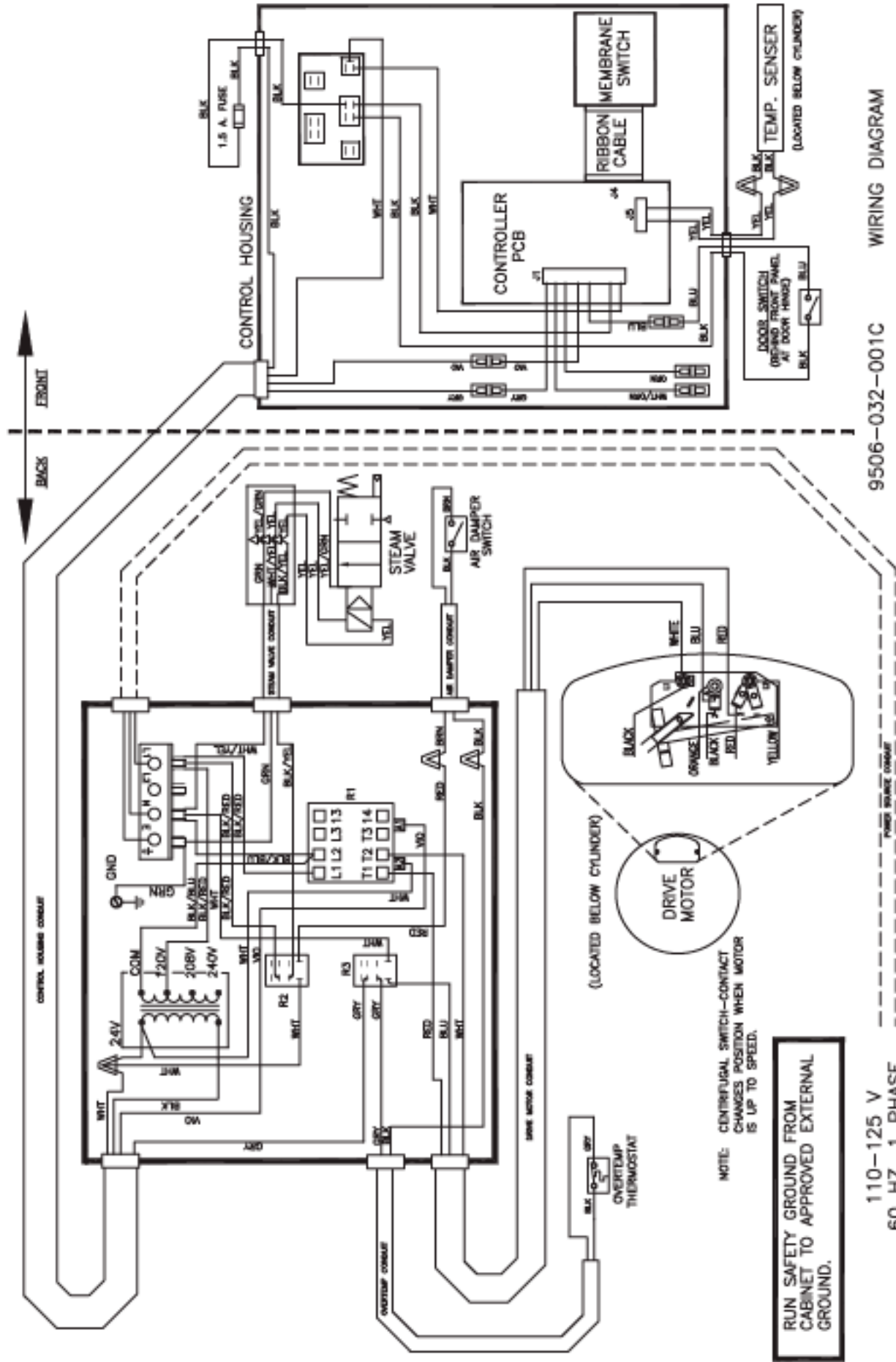


WIRING DIAGRAM

DCT_55HT_-18FG - ELECTRIC

9345-952-001C

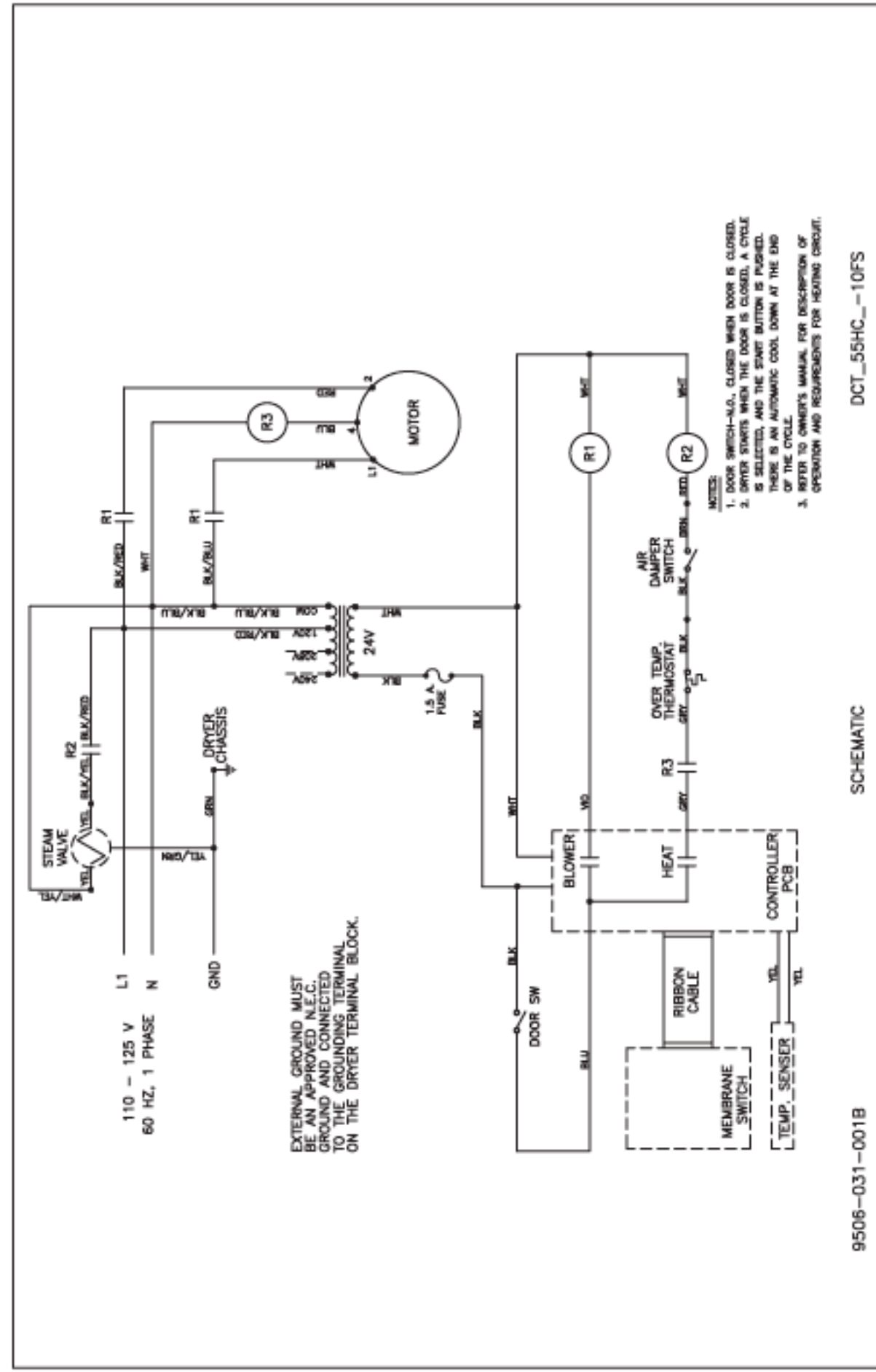




110-125 V
60 HZ, 1 PHASE

RUN SAFETY GROUND FROM CABINET TO APPROVED EXTERNAL GROUND.

9506-032-001C WIRING DIAGRAM



- NOTES:
1. DOOR SWITCH-A.L.O. CLOSED WHEN DOOR IS CLOSED.
 2. DRYER STARTS WHEN THE DOOR IS CLOSED, A CYCLE IS SELECTED, AND THE START BUTTON IS PUSHED. THERE IS AN AUTOMATIC COOL DOWN AT THE END OF THE CYCLE.
 3. REFER TO OWNER'S MANUAL FOR DESCRIPTION OF OPERATION AND REQUIREMENTS FOR HEATING CIRCUIT.